



US00D551415S

(12) **United States Design Patent**  
**Memari**

(10) **Patent No.:** **US D551,415 S**  
(45) **Date of Patent:** **\*\* Sep. 18, 2007**

(54) **COMBINED RECYCLING AND  
ADVERTISING RECEPTACLE**

**DESCRIPTION**

(76) Inventor: **Kaveh Memari**, Studio 2, 166 Tower  
Bridge Road, London SE1 3LS (GB)

(\*\*) Term: **14 Years**

(21) Appl. No.: **29/264,102**

(22) Filed: **Aug. 3, 2006**

(51) **LOC (8) Cl.** ..... **09-09**

(52) **U.S. Cl.** ..... **D34/7; D20/19**

(58) **Field of Classification Search** ..... D34/1-11;  
220/908-913; D20/19; 40/606.05, 606.18,  
40/611.03, 611.1

See application file for complete search history.

(56) **References Cited**

**U.S. PATENT DOCUMENTS**

D214,644	S	*	7/1969	Maris	.....	D34/5
3,803,738	A	*	4/1974	Weiss	.....	40/306
D307,344	S	*	4/1990	Massonnet	.....	D34/7
D355,740	S	*	2/1995	Kirchner	.....	D34/1
D388,922	S	*	1/1998	Peters	.....	D34/1
D389,631	S	*	1/1998	Peters	.....	D34/1
D428,229	S	*	7/2000	Olivetti	.....	D34/1
D492,827	S	*	7/2004	Amato et al.	.....	D34/1
D507,089	S	*	7/2005	Enayati et al.	.....	D34/1
D523,603	S	*	6/2006	Memari	.....	D34/1

\* cited by examiner

*Primary Examiner*—Cynthia E. Ramirez

(74) *Attorney, Agent, or Firm*—Carter, DeLuca, Farrell &  
Schmidt, LLP

(57) **CLAIM**

The ornamental design for a combined recycling and advertising receptacle, as shown and described.

FIG. 1 is a front perspective view of a combined recycling and advertising receptacle in accordance with an embodiment of the present design;

FIG. 2 is a front elevational view of the combined recycling and advertising receptacle of FIG. 1;

FIG. 3 is a right side elevational view of the combined recycling and advertising receptacle of FIGS. 1 and 2, the left side elevational view being a mirror image of the right side elevational view;

FIG. 4 is a top plan view of the combined recycling and advertising receptacle of FIGS. 1-3;

FIG. 5 is a front perspective view of a combined recycling and advertising receptacle in accordance with a variation of the embodiment of FIGS. 1-4;

FIG. 6 is a front elevational view of the combined recycling and advertising receptacle of FIG. 5;

FIG. 7 is a right side elevational view of the combined recycling and advertising receptacle of FIGS. 5 and 6, the left side elevational view being a mirror image of the right side elevational view;

FIG. 8 is a top plan view of the combined recycling and advertising receptacle of FIGS. 5-7;

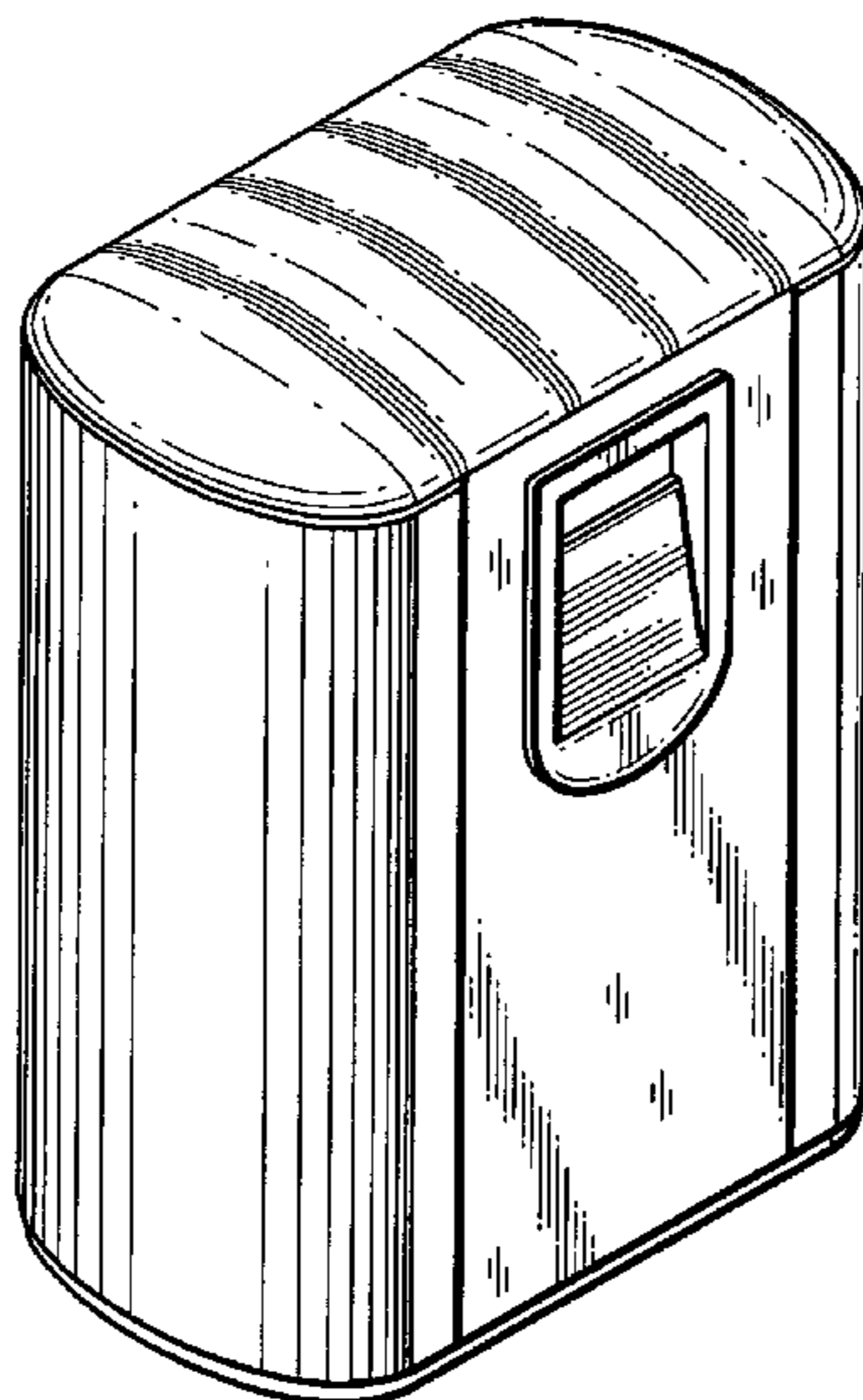
FIG. 9 is a front perspective view of a combined recycling and advertising receptacle in accordance with a further variation of the embodiment of the FIGS. 1-4;

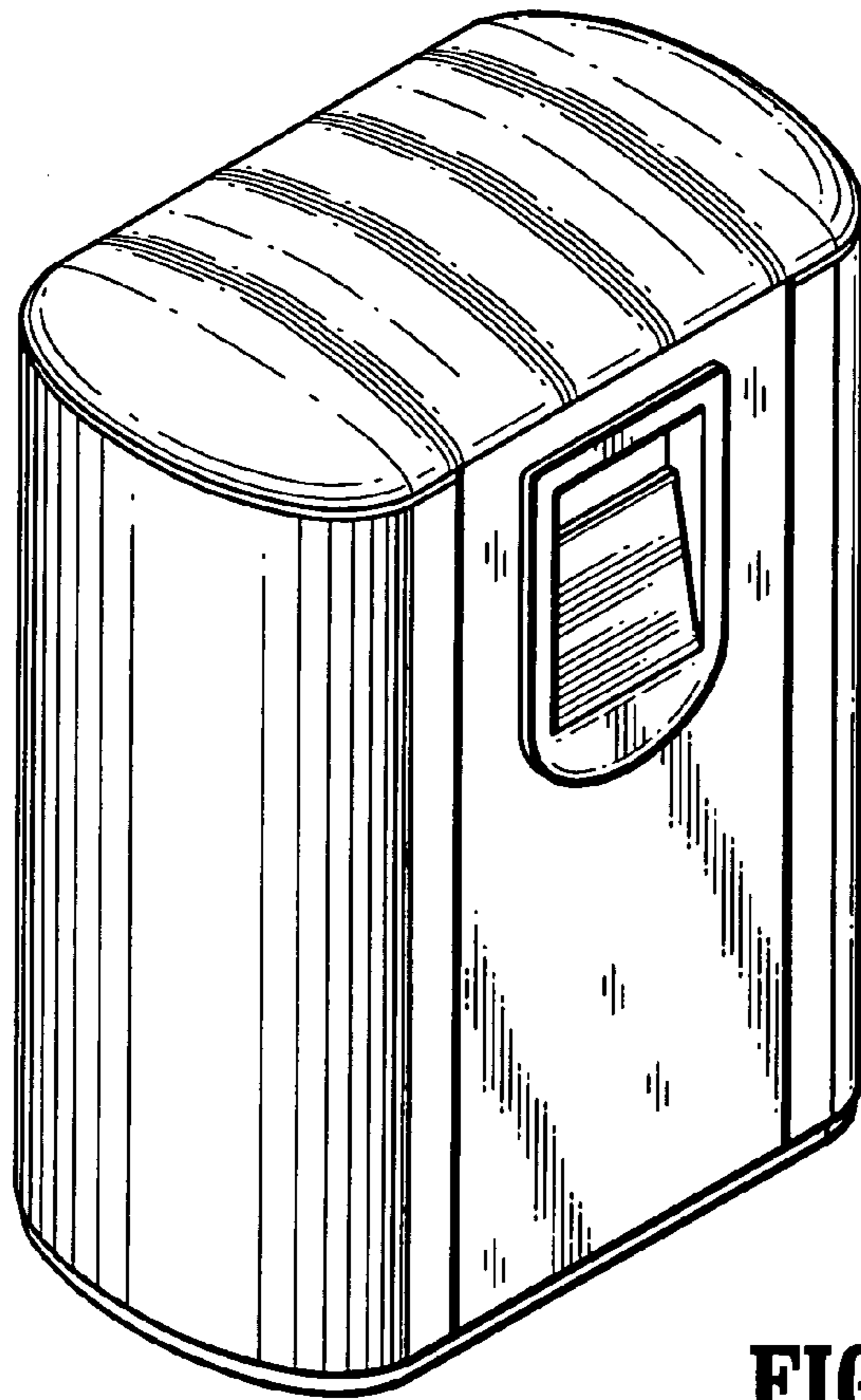
FIG. 10 is a front elevational view of the combined recycling and advertising receptacle of FIG. 9;

FIG. 11 is a right side elevational view of the combined recycling and advertising receptacle of FIGS. 9 and 10, the left side elevational view being a mirror image of the right side elevational view; and,

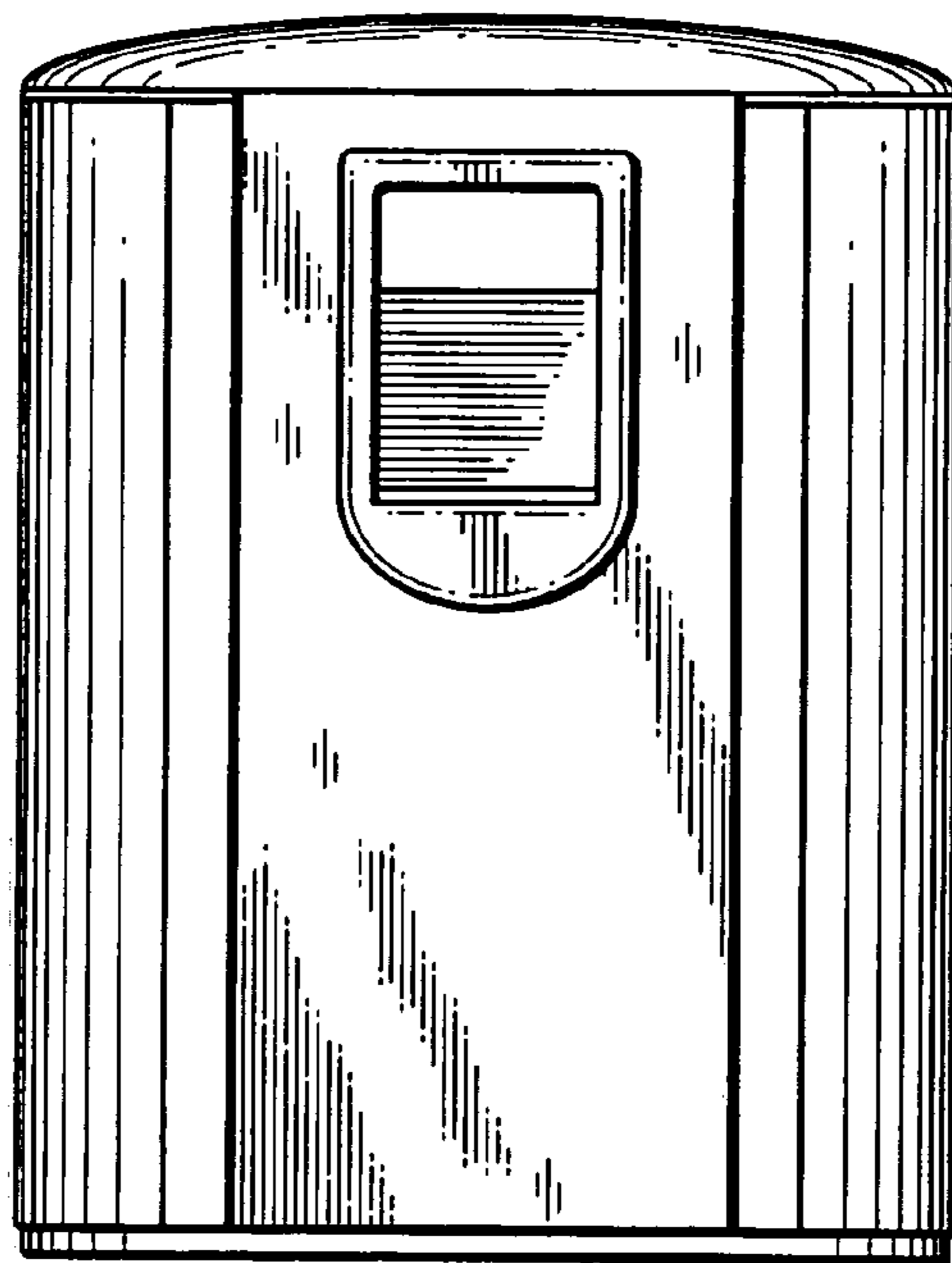
FIG. 12 is a top plan view of the combined recycling and advertising receptacle of FIGS. 9-11.

**1 Claim, 6 Drawing Sheets**

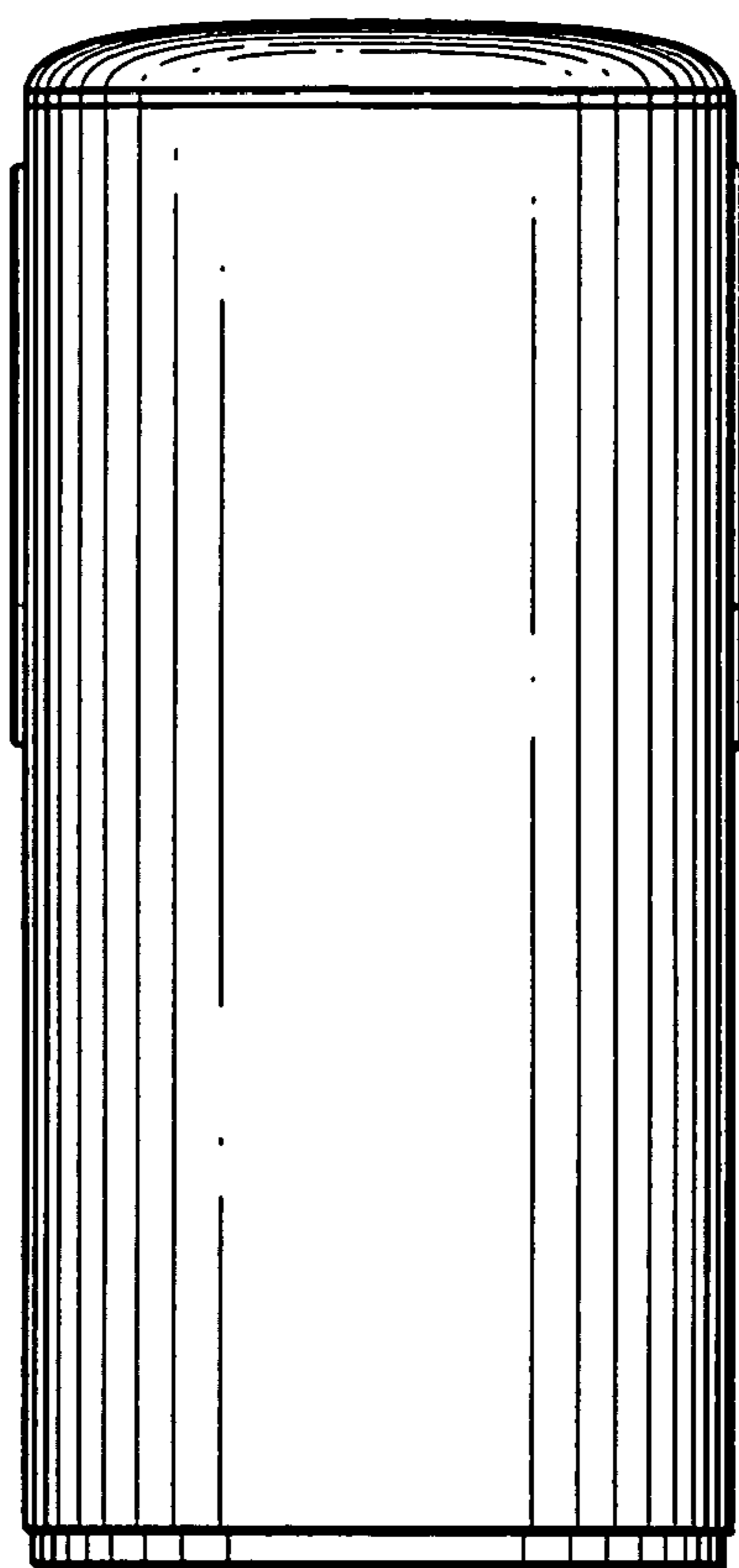




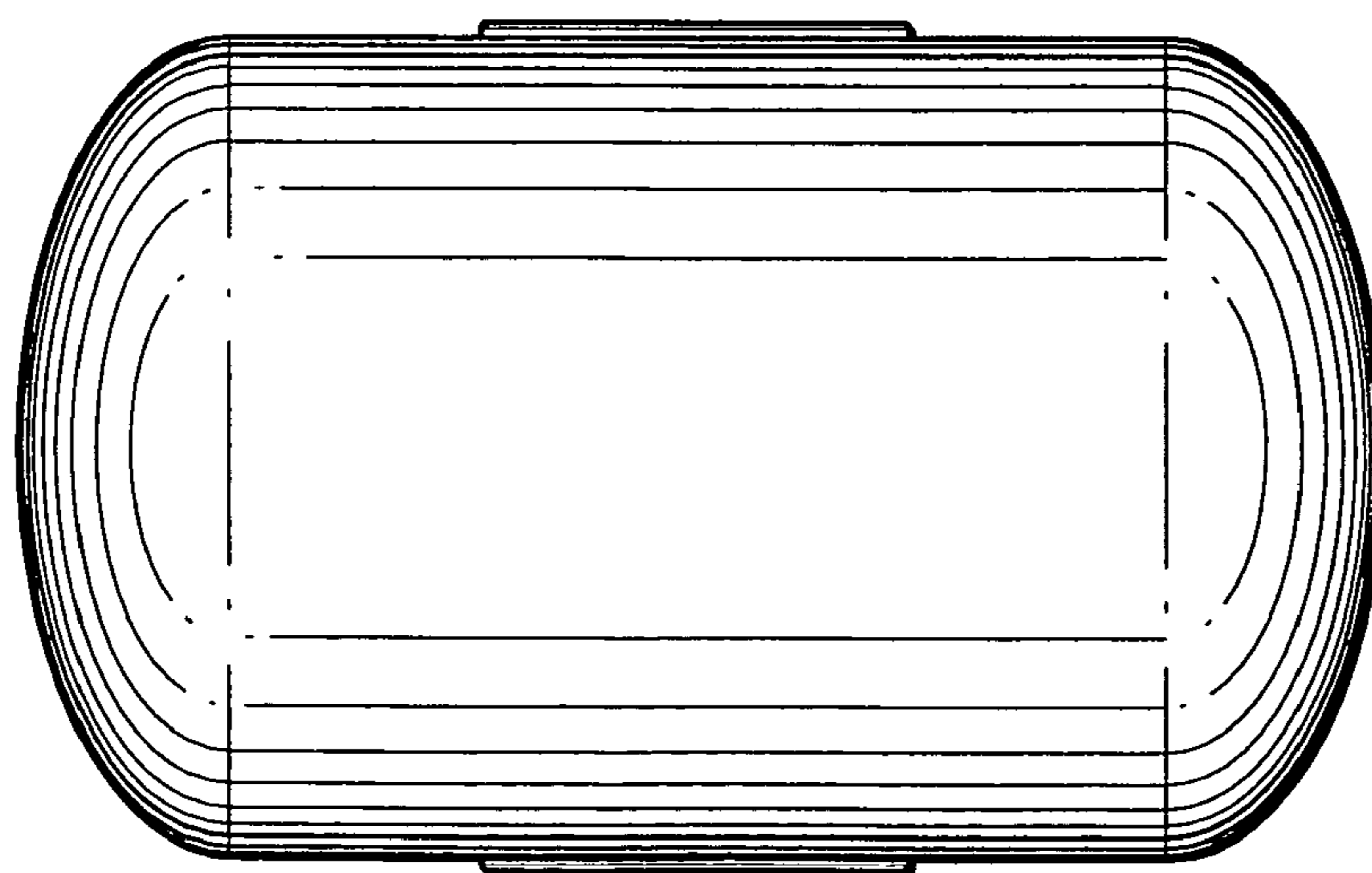
**FIG. 1**



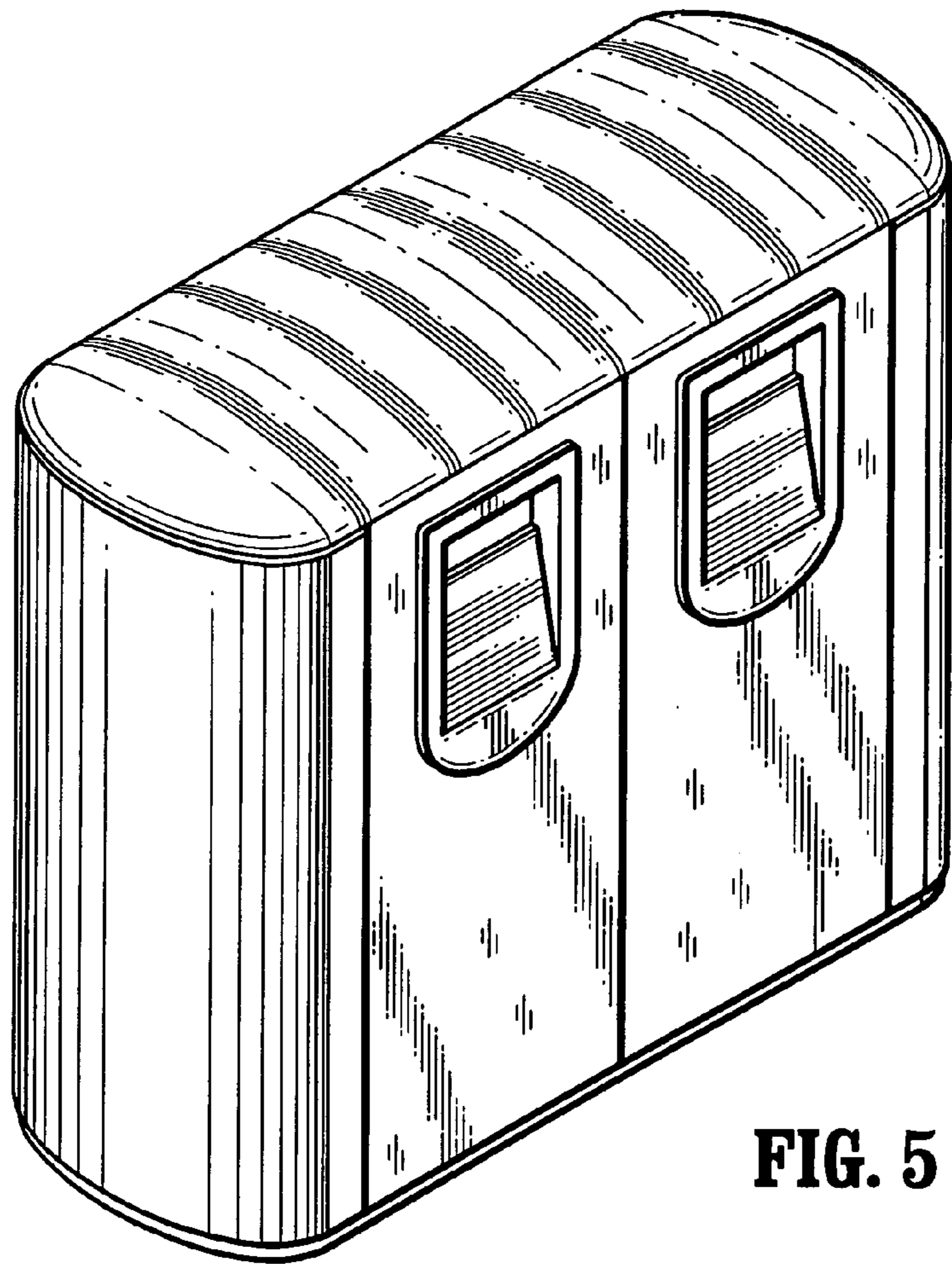
**FIG. 2**



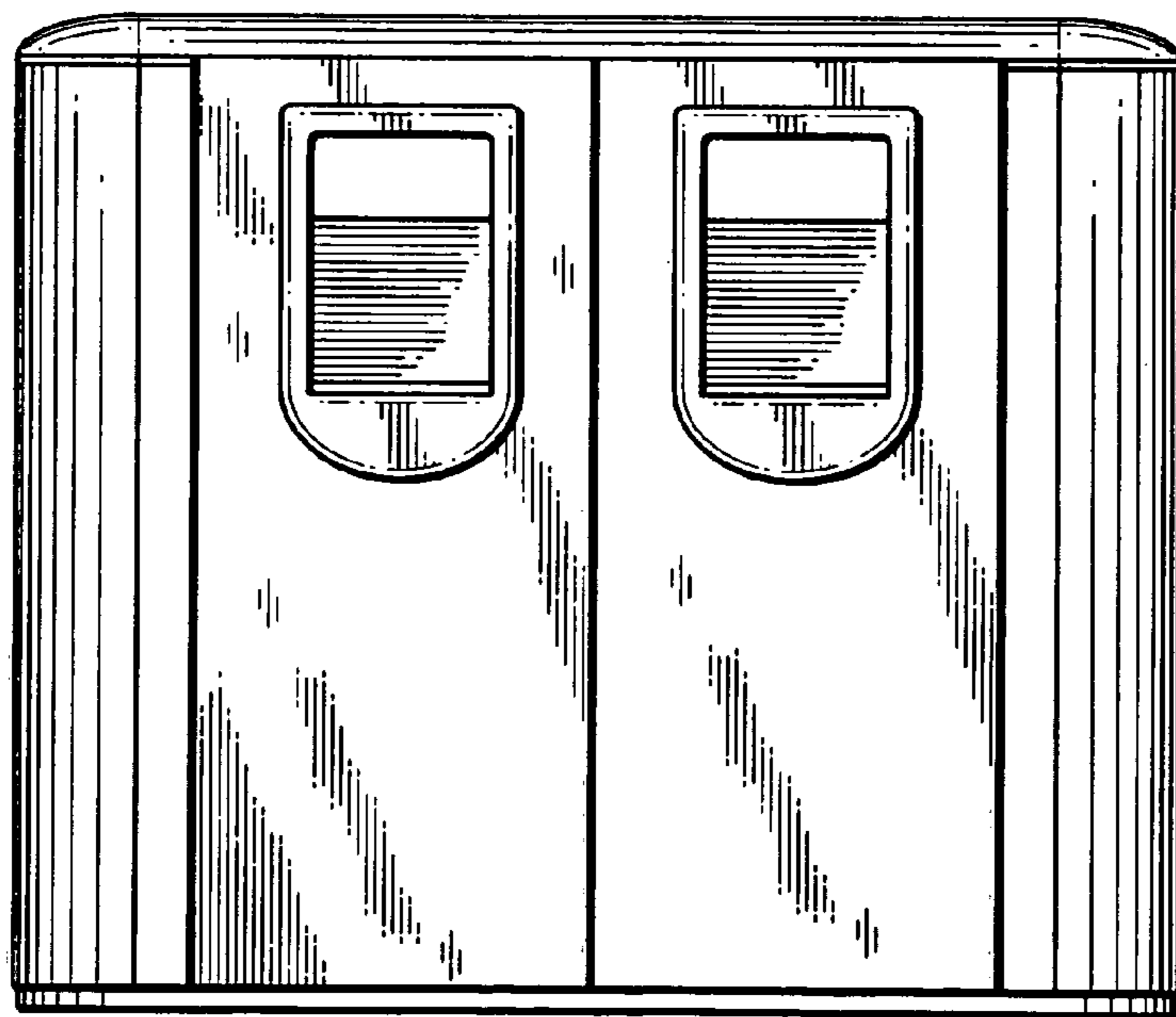
**FIG. 3**



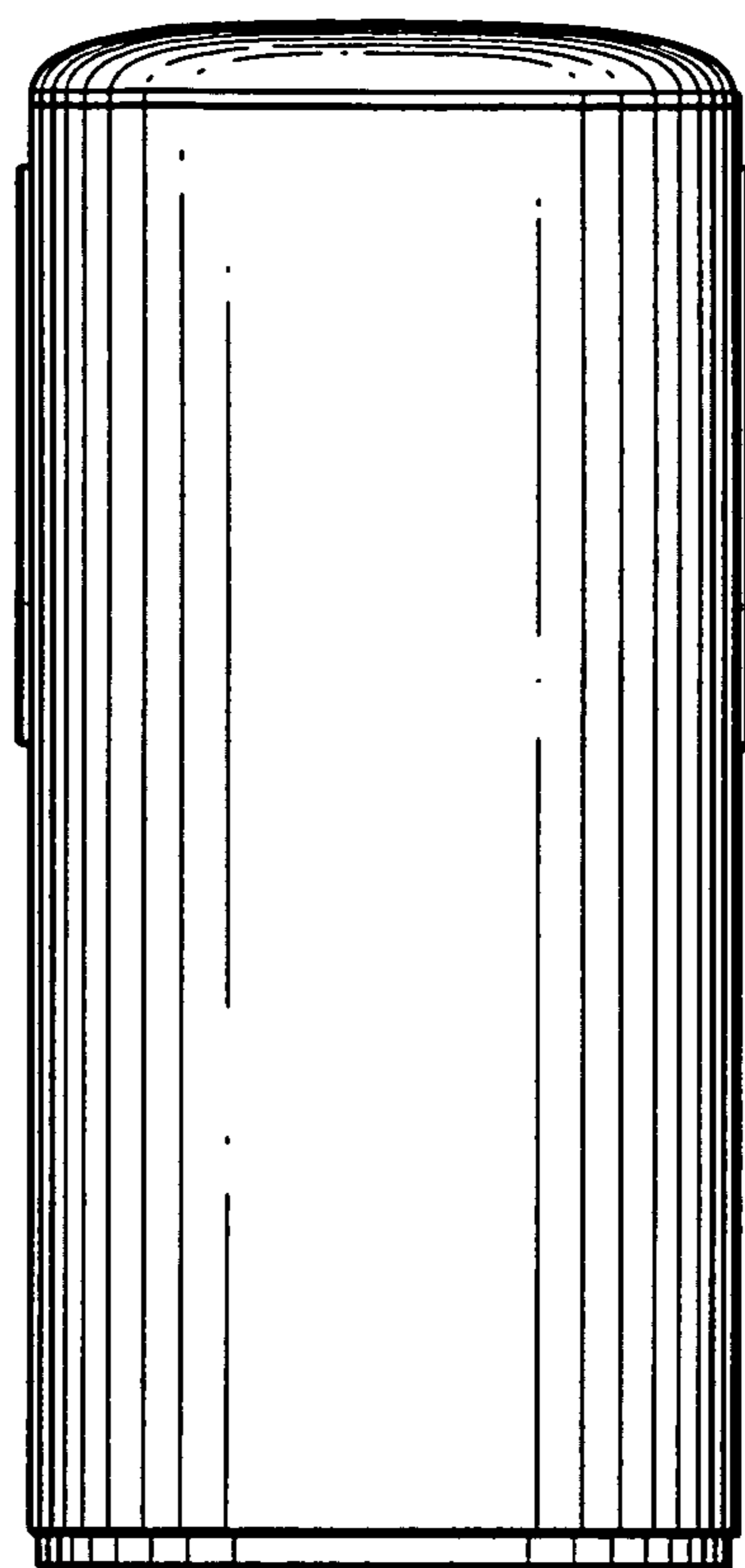
**FIG. 4**



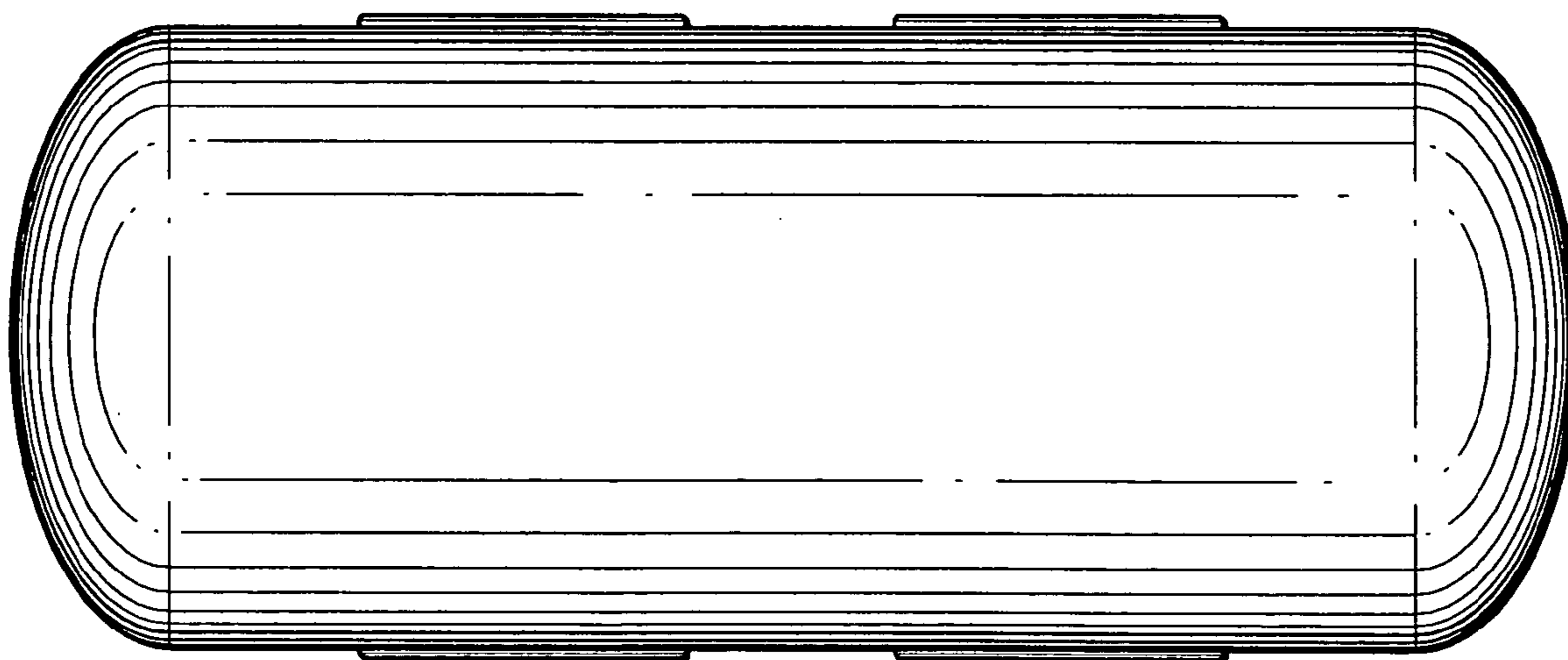
**FIG. 5**



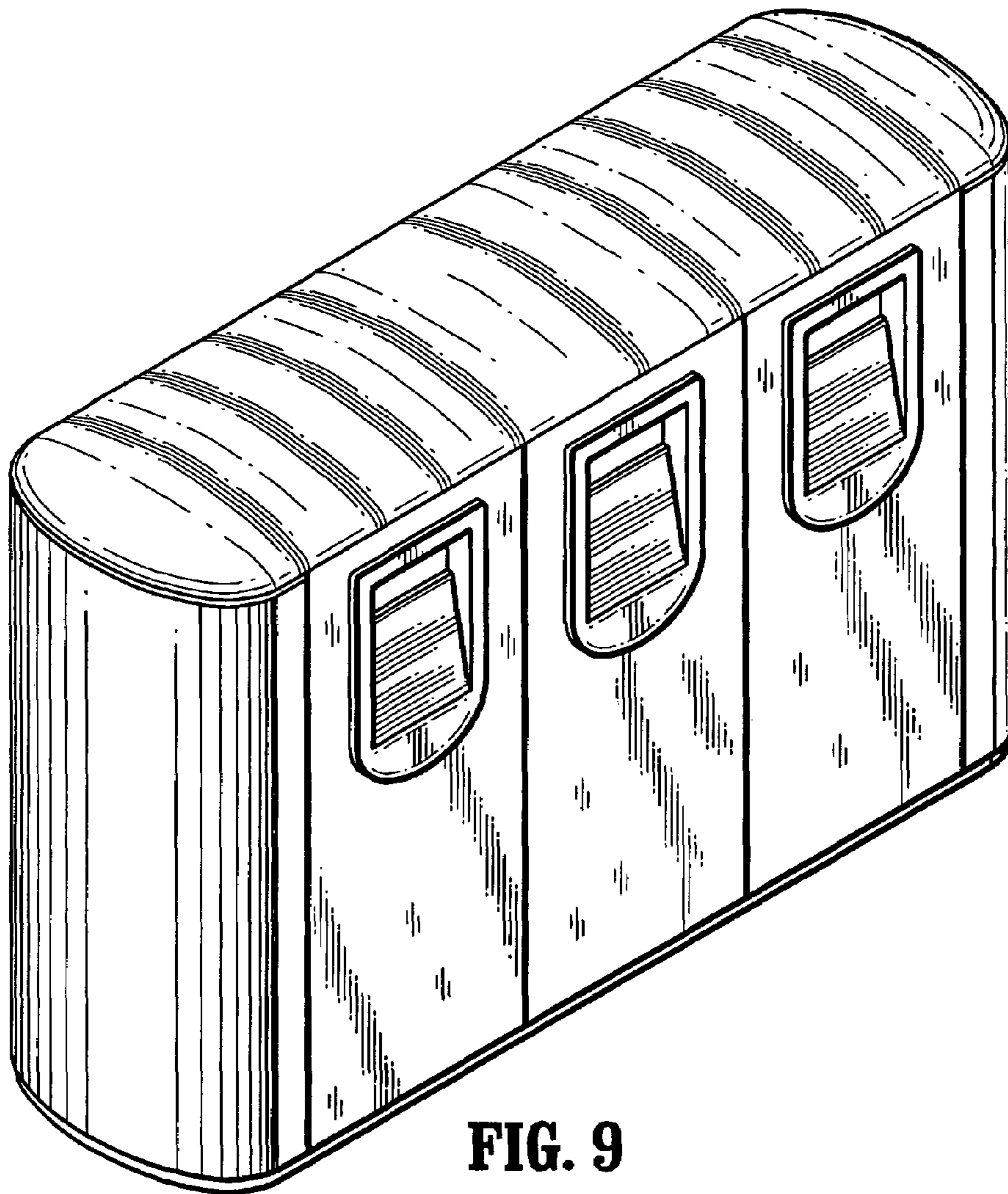
**FIG. 6**



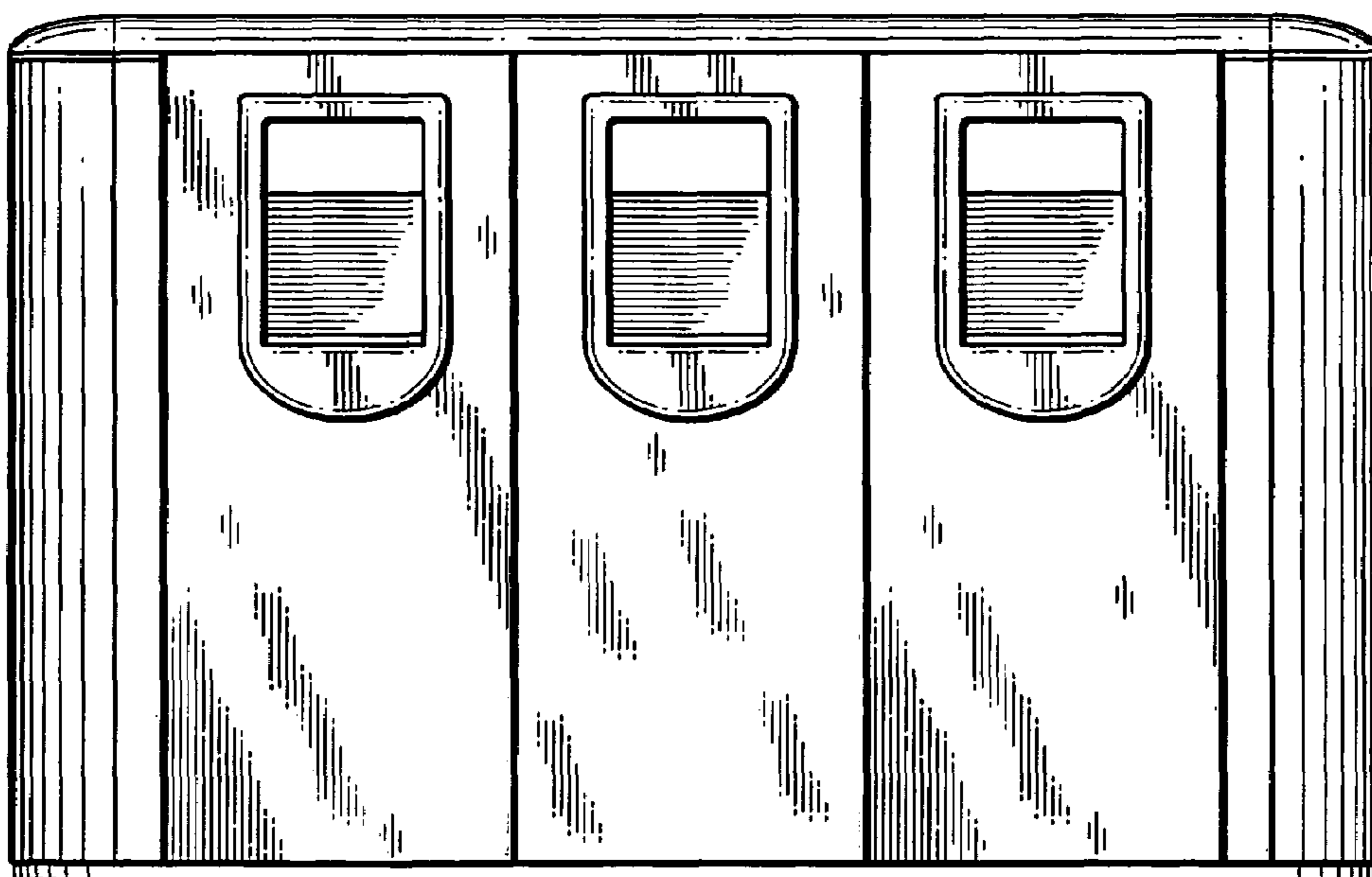
**FIG. 7**



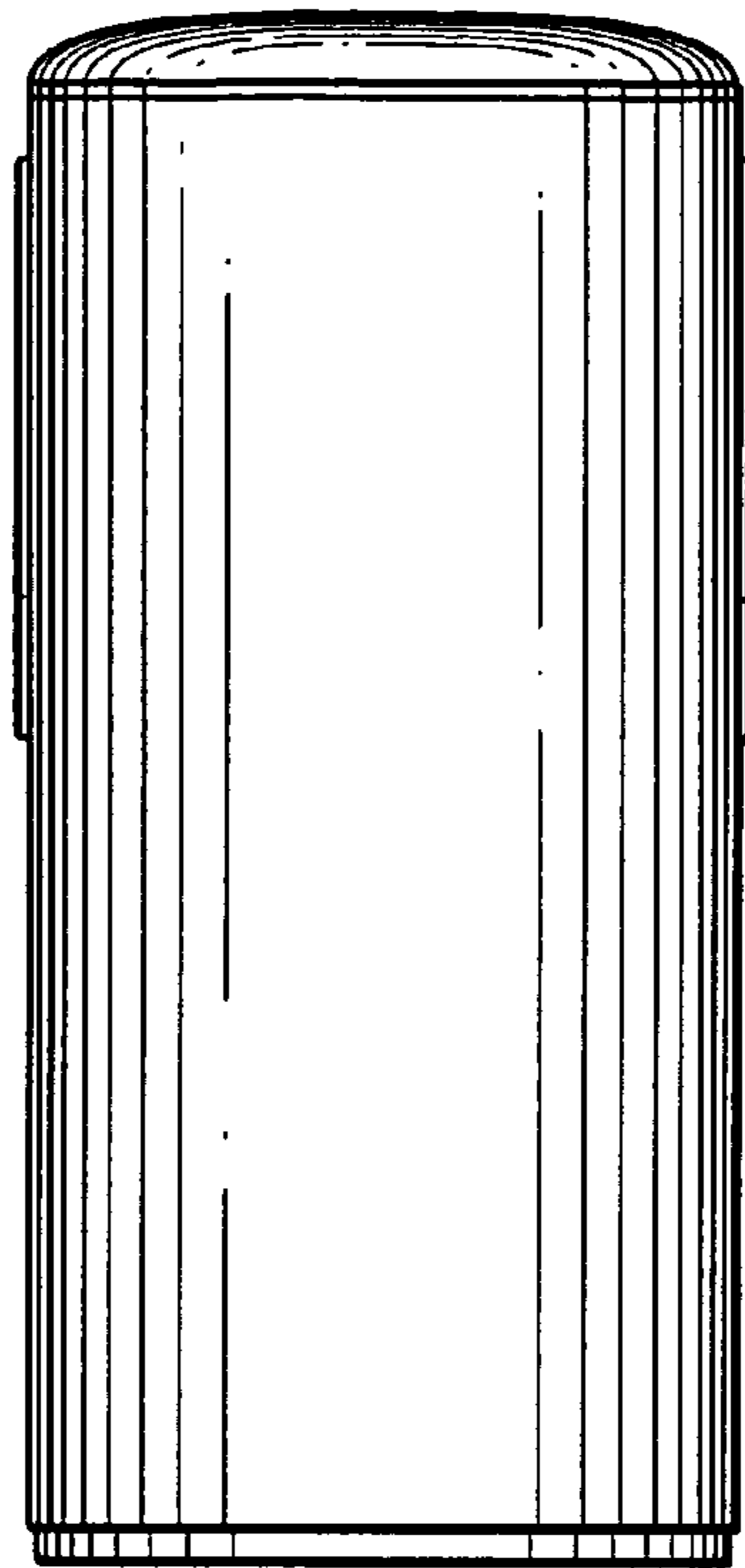
**FIG. 8**



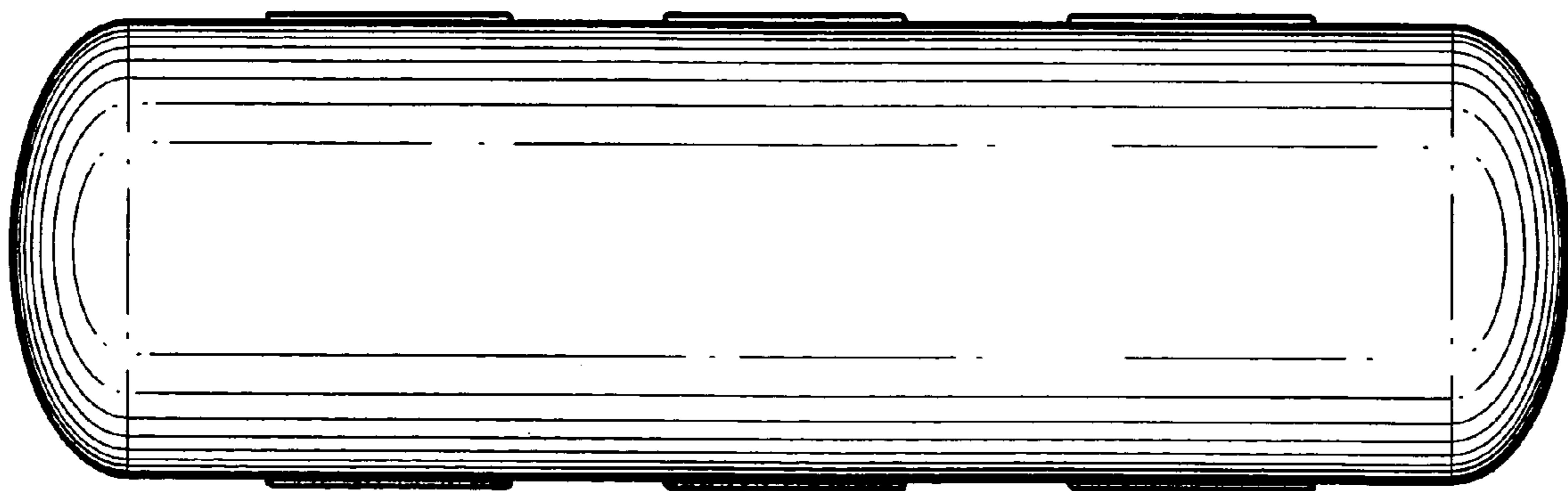
**FIG. 9**



**FIG. 10**



**FIG. 11**



**FIG. 12**