



US00D551412S

(12) **United States Design Patent**  
**Tanaka**

(10) **Patent No.:** **US D551,412 S**

(45) **Date of Patent:** **\*\* Sep. 18, 2007**

(54) **IRONING APPARATUS WITH A COMPACT IRONING HEAD**

2,417,943 A \* 3/1947 Muller ..... 126/271.1  
2,452,259 A \* 10/1948 Pabis ..... 219/238  
4,546,560 A \* 10/1985 Granata ..... 38/1 B

(75) Inventor: **Toshiaki Tanaka**, Osaka (JP)

\* cited by examiner

(73) Assignee: **Clover Mfg. Co., Ltd.**, Osaka (JP)

*Primary Examiner*—Pamela J. Burgess

(\*\*) Term: **14 Years**

(74) *Attorney, Agent, or Firm*—Hamre, Schumann, Mueller & Larson, P.C.

(21) Appl. No.: **29/265,375**

(57) **CLAIM**

(22) Filed: **Aug. 30, 2006**

The ornamental design for an ironing apparatus with a compact ironing head, as shown and described.

(51) **LOC (8) Cl.** ..... **07-05**

(52) **U.S. Cl.** ..... **D32/69**

(58) **Field of Classification Search** ..... D32/68-70,  
D32/77.1-77.5; 38/74, 77.1-77.5, 69-70,  
38/88-89, 1 B, 79; 219/329, 230, 245, 254,  
219/273, 275

**DESCRIPTION**

See application file for complete search history.

FIG. 1 is a front view of an ironing apparatus with a compact ironing head showing my new design;

FIG. 2 is a right side elevational view thereof;

FIG. 3 is a left side elevational view thereof;

FIG. 4 is a rear elevational view thereof;

FIG. 5 is a top plan view thereof; and,

FIG. 6 is a bottom plan view thereof.

(56) **References Cited**

U.S. PATENT DOCUMENTS

D33,176 S \* 9/1900 Grall ..... D32/69  
D85,676 S \* 12/1931 Varady ..... D32/69  
2,086,102 A \* 7/1937 Stradling ..... 248/117.1

**1 Claim, 3 Drawing Sheets**

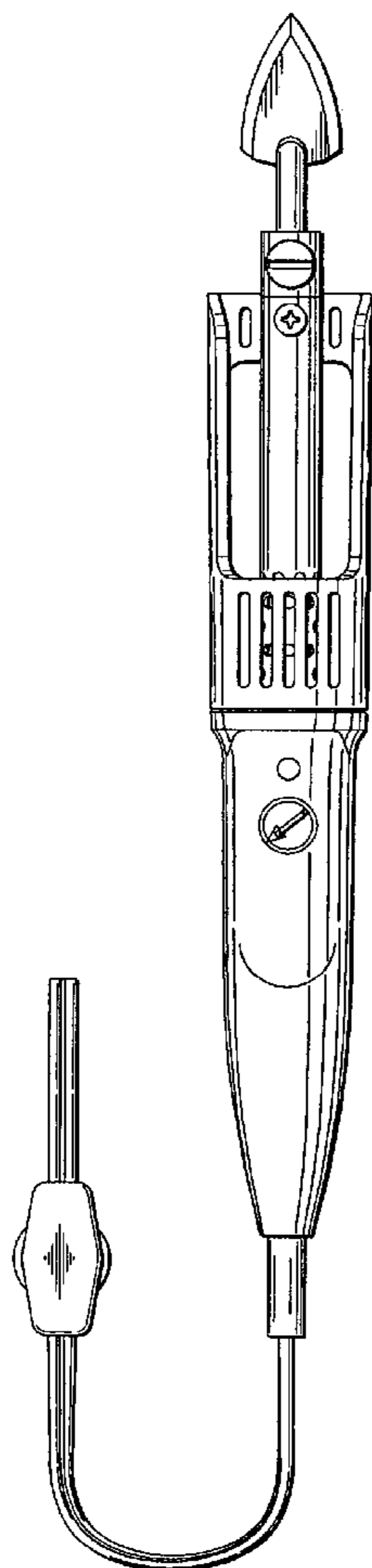


FIG.1

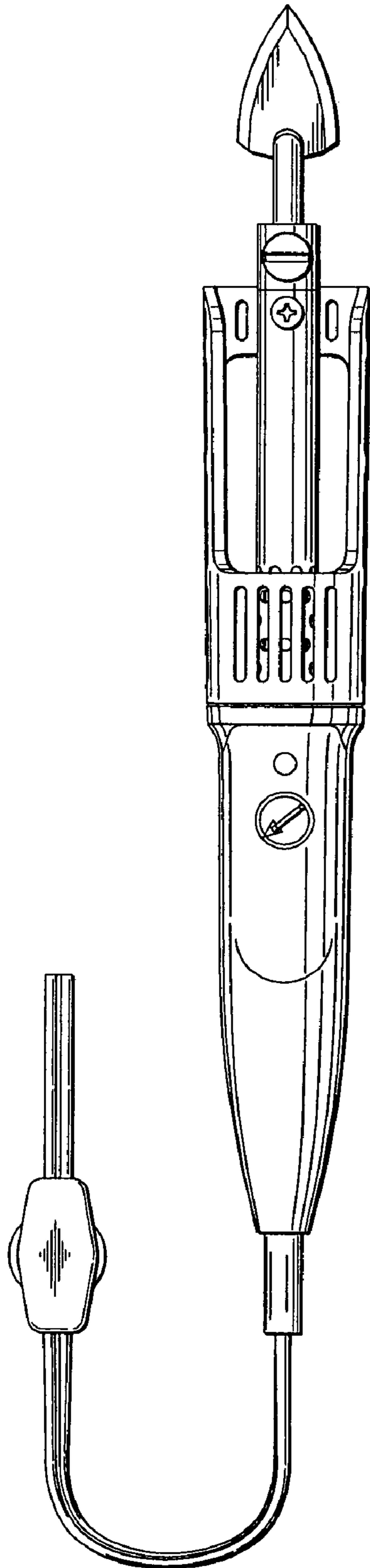


FIG.2

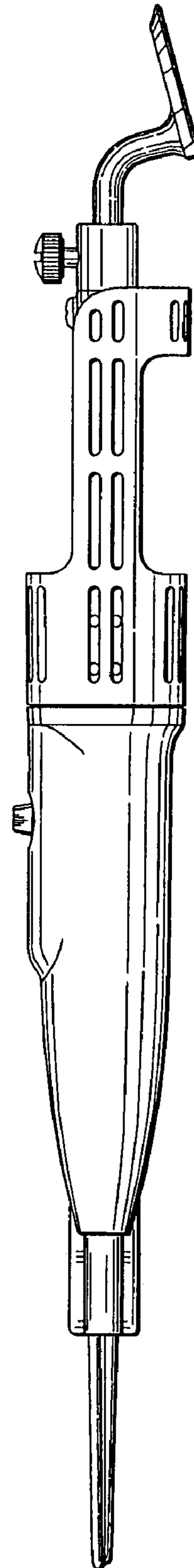


FIG.3

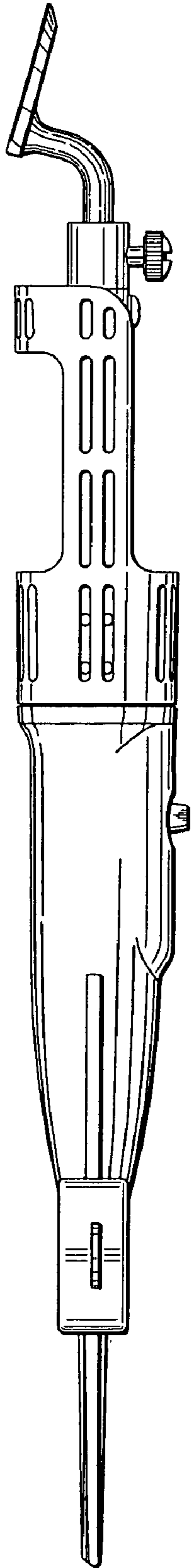


FIG.4

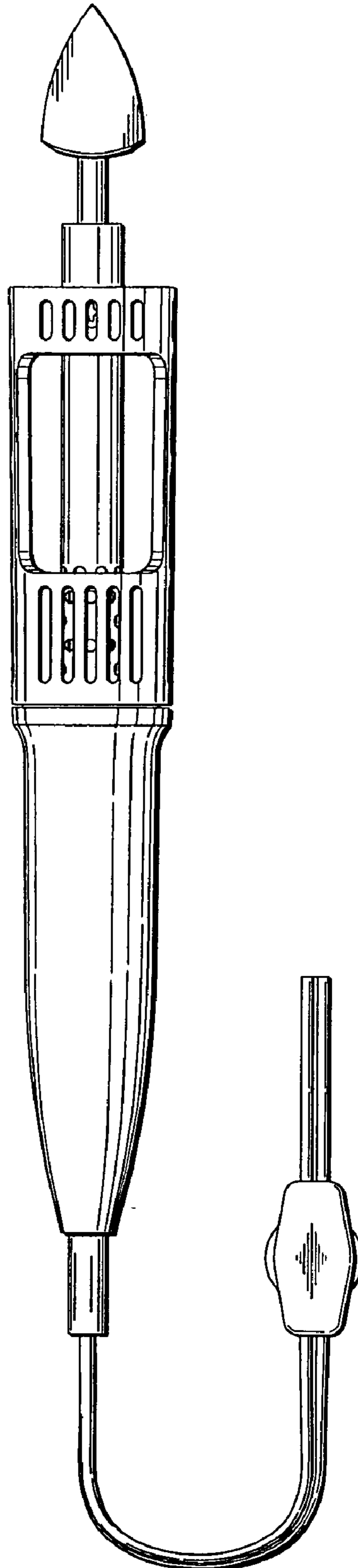


FIG.5

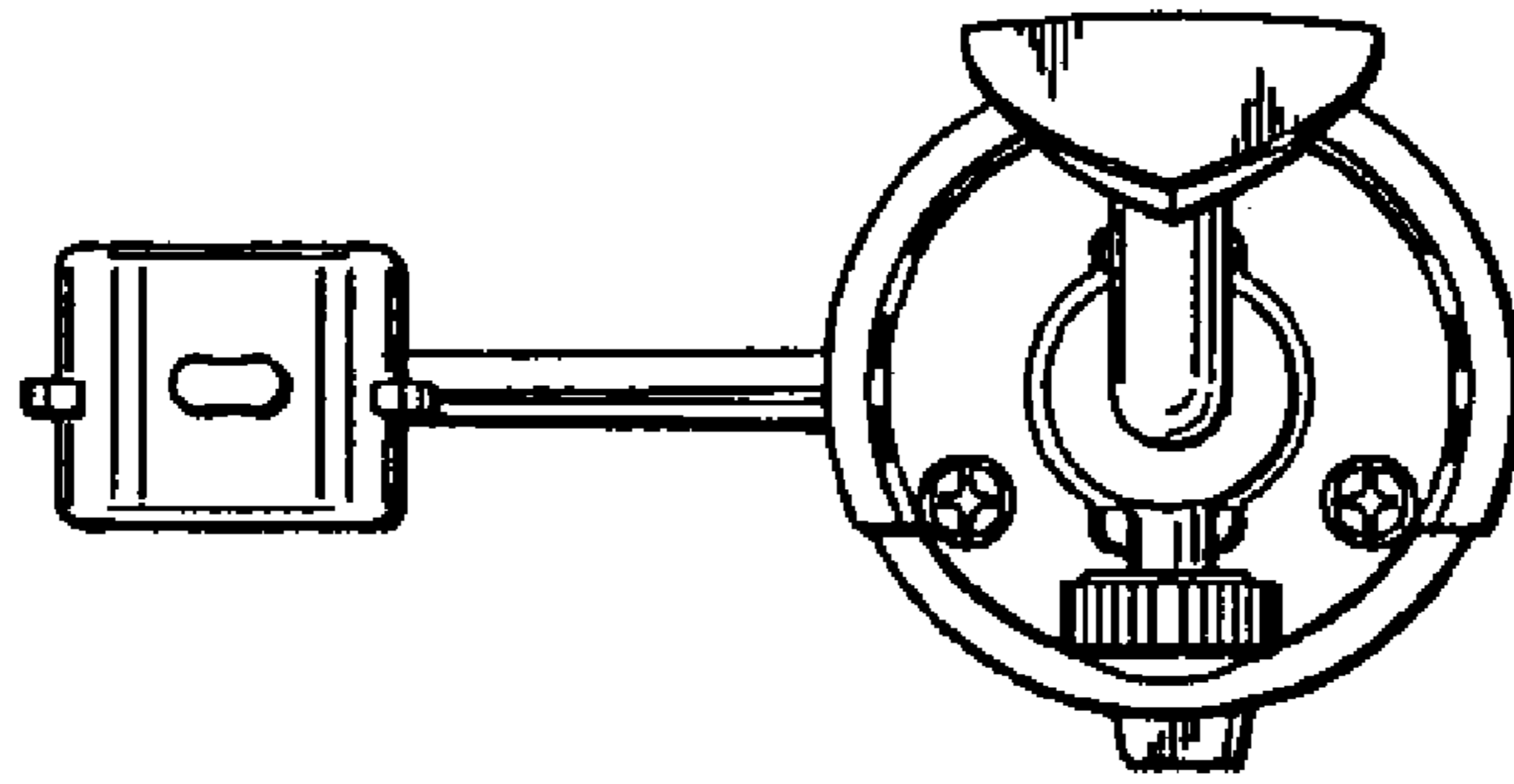


FIG.6

