



US00D551410S

(12) **United States Design Patent** (10) **Patent No.:** **US D551,410 S**
Petner (45) **Date of Patent:** **** Sep. 18, 2007**

(54) **COMBINED MOP HEAD AND RETAINING CLAMP**

D532,170 S * 11/2006 Davis-Wilson et al. D32/50
2004/0078911 A1* 4/2004 Alexander Scot Young .. 15/150

(75) Inventor: **Robert E. Petner**, Burlington, NJ (US)

* cited by examiner

(73) Assignee: **Quickie Manufacturing Corp.**,
Cinnaminson, NJ (US)

Primary Examiner—Cathron C. Brooks

Assistant Examiner—Barbara Fox

(74) *Attorney, Agent, or Firm*—Stuart M. Goldstein

(**) Term: **14 Years**

(57) **CLAIM**

(21) Appl. No.: **29/220,948**

The ornamental design for a combined mop head and retaining clamp, as shown and described.

(22) Filed: **Jan. 7, 2005**

(51) **LOC (8) Cl.** **04-01**

(52) **U.S. Cl.** **D32/50**

(58) **Field of Classification Search** 32/40,
32/44, 50; 15/116.1, 116.2, 119.1, 119.2,
15/147.1, 228, 115, 146, 229.1, 150
See application file for complete search history.

DESCRIPTION

FIG. 1 shows the front view of the combined mop head and retaining clamp of the present invention.

FIG. 2 shows an elevation view of the combined mop head and retaining clamp of the present invention.

FIG. 3 shows the opposite elevation view of the combined mop head and retaining clamp of the present invention.

FIG. 4 shows the top view of the combined mop head and retaining clamp of the present invention.

FIG. 5 shows the bottom view of the combined mop head and retaining clamp of the present invention; and,

FIG. 6 shows the rear view of the combined mop head and retaining clamp of the present invention.

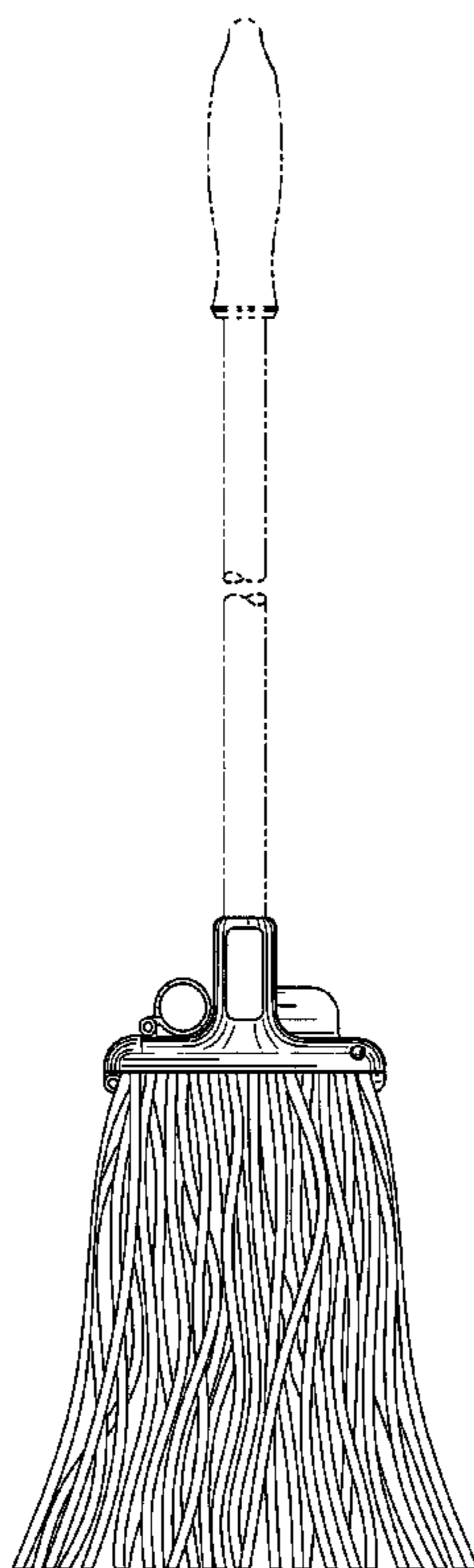
The broken lines in the drawings represent unclaimed subject matter.

(56) **References Cited**

U.S. PATENT DOCUMENTS

1,376,175	A *	4/1921	Sundermann, Jr.	15/150
3,081,474	A *	3/1963	Modrak	15/229.2
4,287,632	A *	9/1981	Hammond	15/150
4,422,203	A *	12/1983	Zenker	15/150
5,442,830	A *	8/1995	Ohm	15/147.2
D387,527	S *	12/1997	Specht	D32/51
D391,716	S *	3/1998	Lyles, Sr.	D32/51
6,098,235	A *	8/2000	Tomm et al.	15/150
6,637,065	B2 *	10/2003	Biggs	15/150
D496,509	S *	9/2004	Petner	D32/42

1 Claim, 4 Drawing Sheets



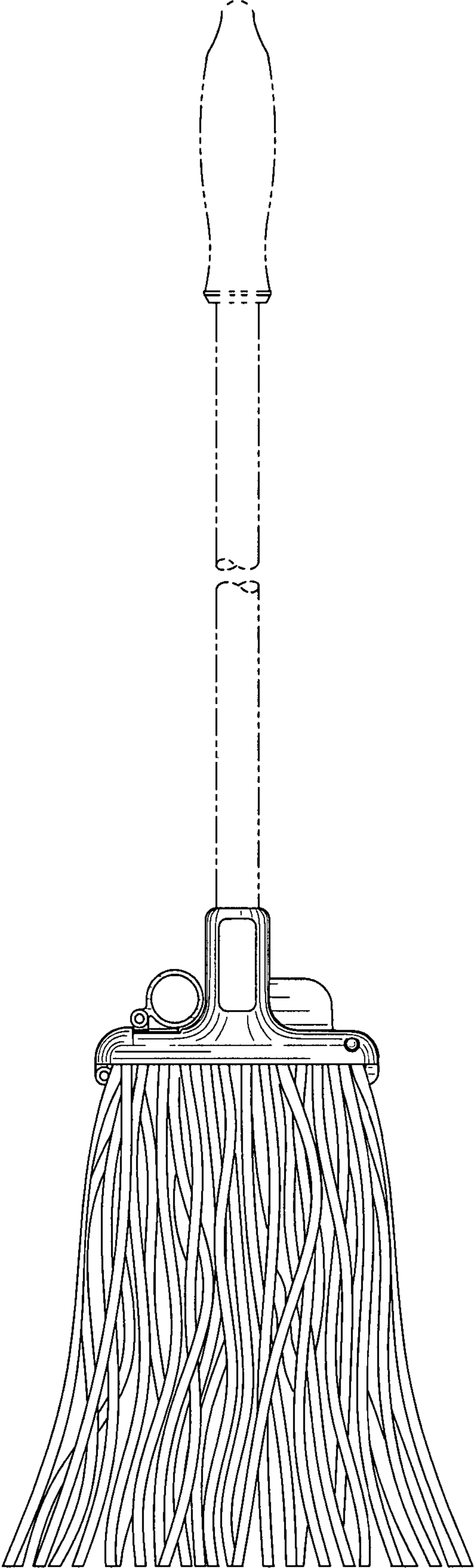


FIG. 1

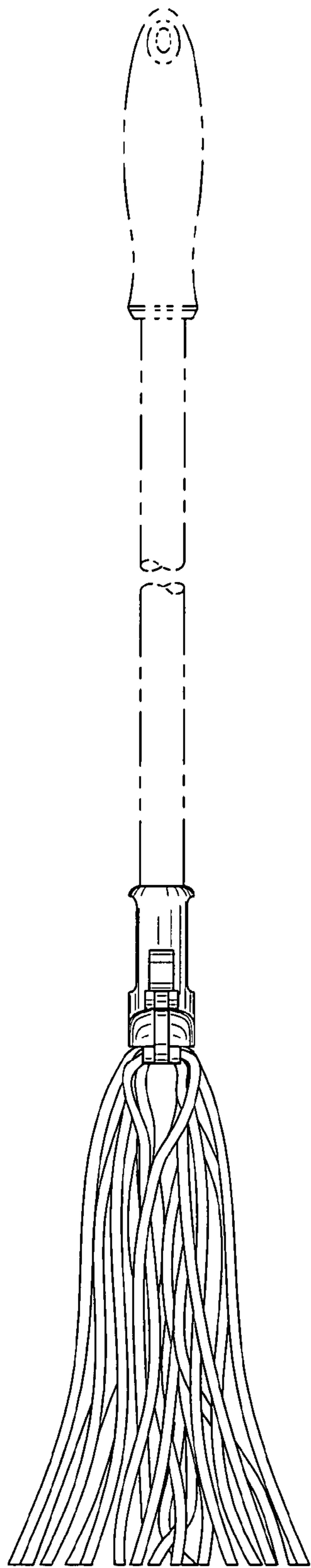


FIG. 2

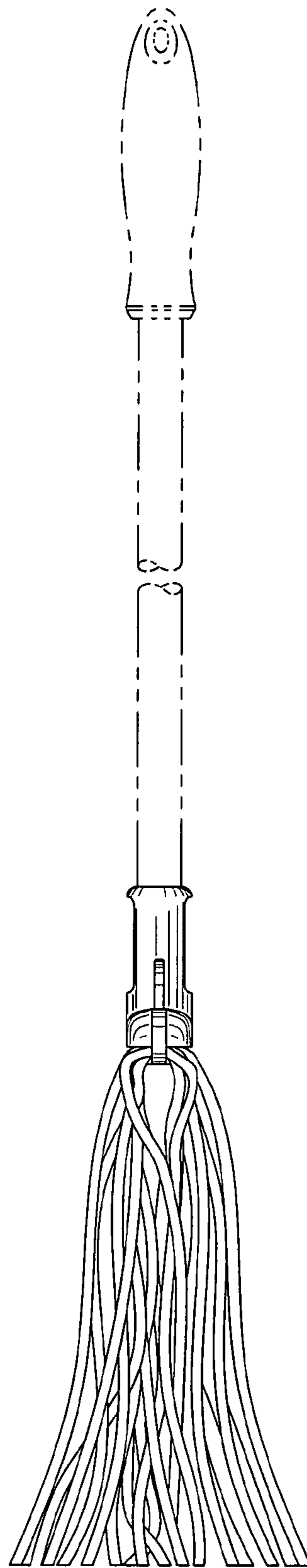


FIG. 3

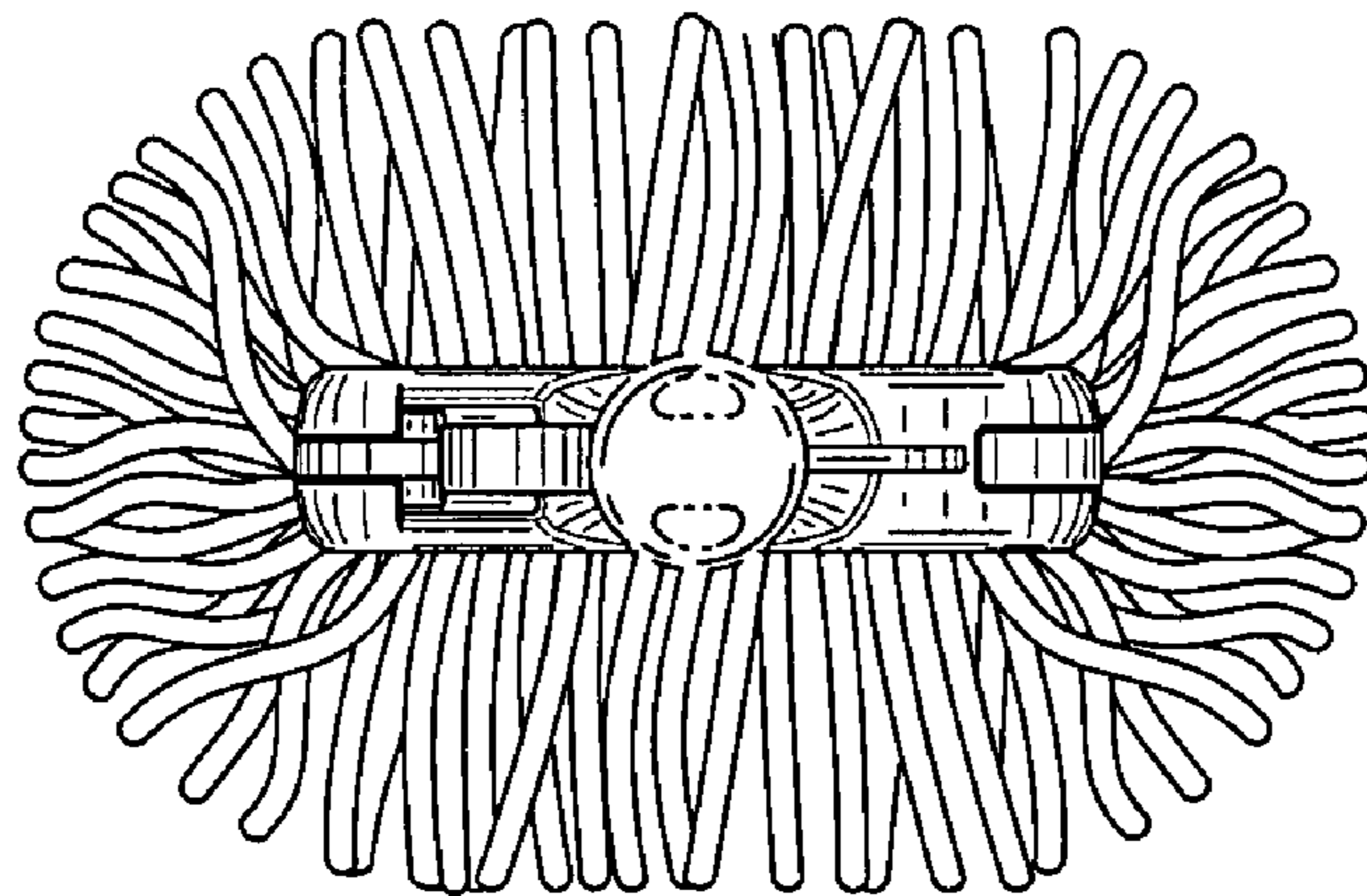


FIG. 4

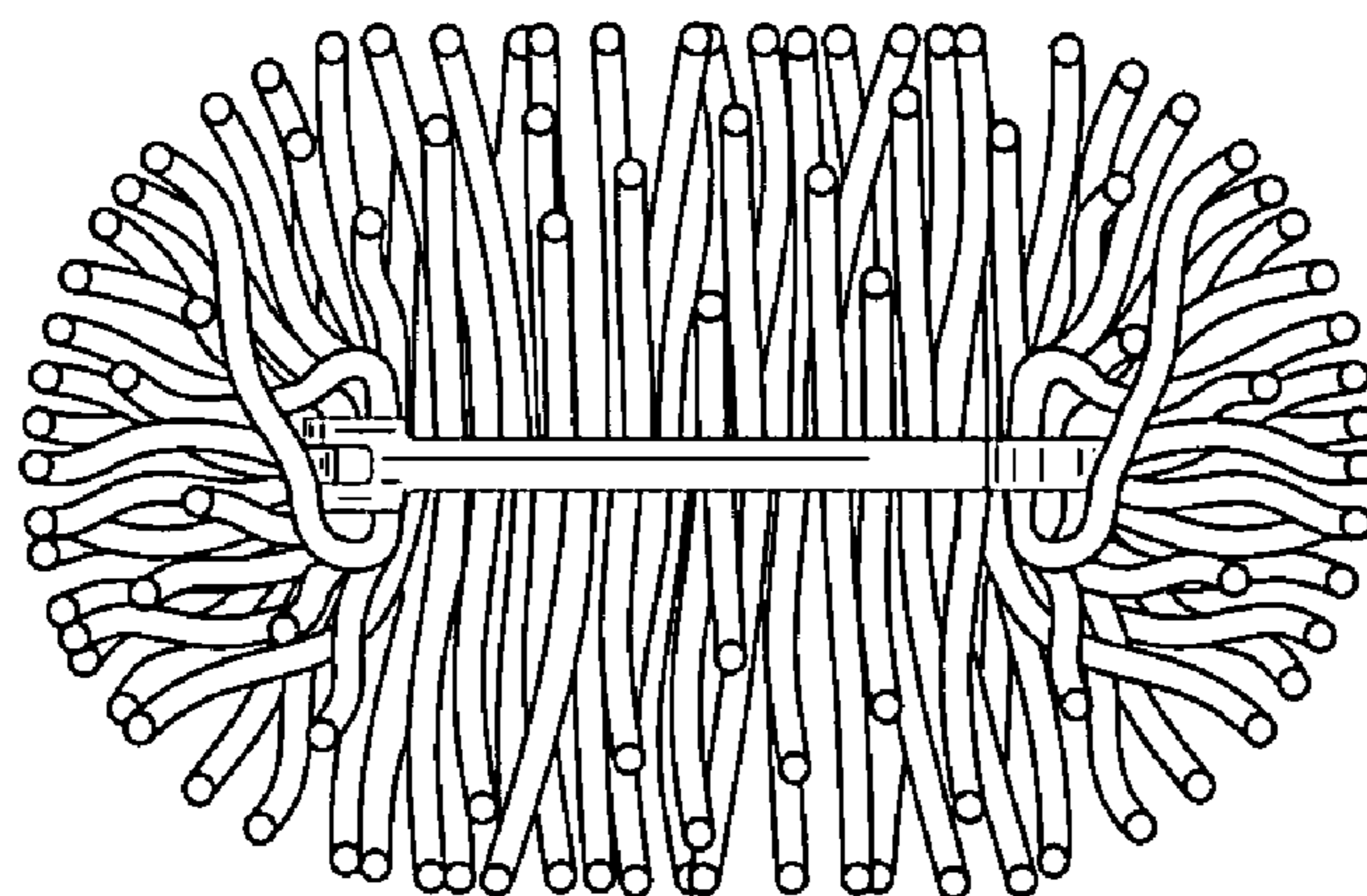


FIG. 5

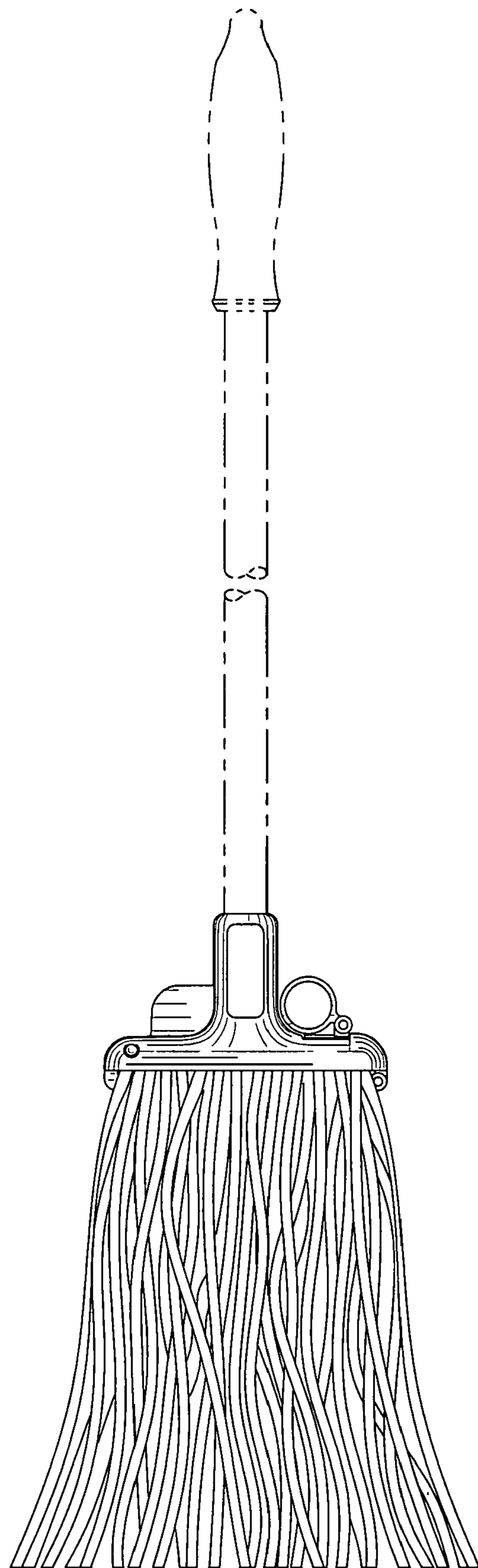


FIG. 6