



US00D551409S

(12) **United States Design Patent** (10) **Patent No.:** **US D551,409 S**
Pung et al. (45) **Date of Patent:** **** Sep. 18, 2007**

(54) **CLEANING PAD HAVING COLORED STRIP**
(75) Inventors: **David John Pung**, Loveland, OH (US);
Hugh Joseph O'Donnell, Cincinnati, OH (US); **Edward Philip Allie**, West Chester, OH (US); **Vincent Sean Breidenbach**, Middletown, OH (US)

5,148,572 A 9/1992 Wells et al.
5,227,844 A 7/1993 Bhattacharjee et al.
5,918,341 A 7/1999 Hale
D478,880 S 8/2003 Sumida
6,766,552 B1 7/2004 Policicchio et al.
D503,253 S 3/2005 Rader et al.
2002/0065012 A1 5/2002 Takabayashi et al.

(73) Assignee: **The Procter & Gamble Company**, Cincinnati, OH (US)

FOREIGN PATENT DOCUMENTS

(**) Term: **14 Years**

GB 2176499 A 12/1986

(21) Appl. No.: **29/273,655**

Primary Examiner—Cynthia E. Ramirez
(74) *Attorney, Agent, or Firm*—Larry L. Huston; Kim William Zerby; Steven W. Miller

(22) Filed: **Mar. 9, 2007**

(57) **CLAIM**

Related U.S. Application Data

The ornamental design for a cleaning pad having colored strip, as shown and described.

(62) Division of application No. 29/217,747, filed on Oct. 8, 2003, now abandoned.

DESCRIPTION

(51) **LOC (8) Cl.** **04-01**
(52) **U.S. Cl.** **D32/40**
(58) **Field of Classification Search** D32/35, D32/40, 50; 15/104.93, 104.94, 208, 209.1, 15/228, 231, 233; 442/381; D5/57
See application file for complete search history.

FIG. 1 is a perspective view of an embodiment of the cleaning pad having colored strip, it should be understood that the stippled surface shading represents a strip of a contrasting color relative to the color of the cleaning pad;

(56) **References Cited**

U.S. PATENT DOCUMENTS

D45,162 S 1/1914 Stifel
1,635,350 A 7/1927 Simons
1,978,450 A 10/1934 Crawford et al.
1,994,425 A 3/1935 Weller
2,778,044 A 1/1957 Mikulski
3,015,834 A 1/1962 Marrinson et al.
3,400,420 A 9/1968 Granville et al.
3,556,886 A 1/1971 Reusser
4,896,768 A 1/1990 Anderson
4,899,416 A 2/1990 Francis
4,904,521 A 2/1990 Johnson et al.

FIG. 2 is a left view thereof;

FIG. 3 is a top view of the cleaning pad having colored strip of FIG. 1;

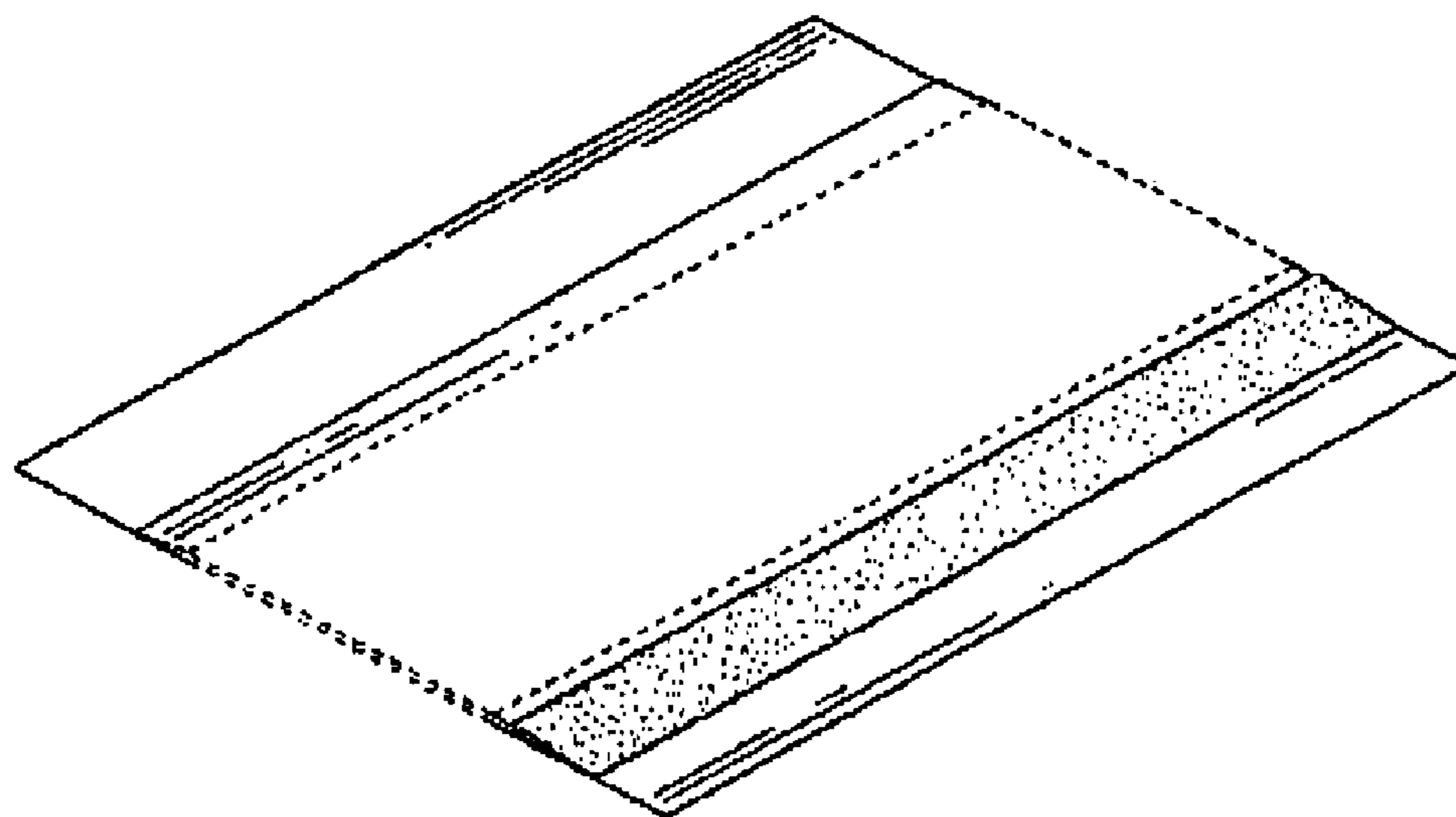
FIG. 4 is a front view of the cleaning pad having colored strip of FIG. 1, the opposite back view is a mirror image thereto;

FIG. 5 is a right view of the cleaning pad having colored strip of FIG. 1; and,

FIG. 6 is a bottom view of the cleaning pad having colored strip of FIG. 1.

The broken line(s) which define the bounds of the claimed design form no part thereof.

1 Claim, 1 Drawing Sheet



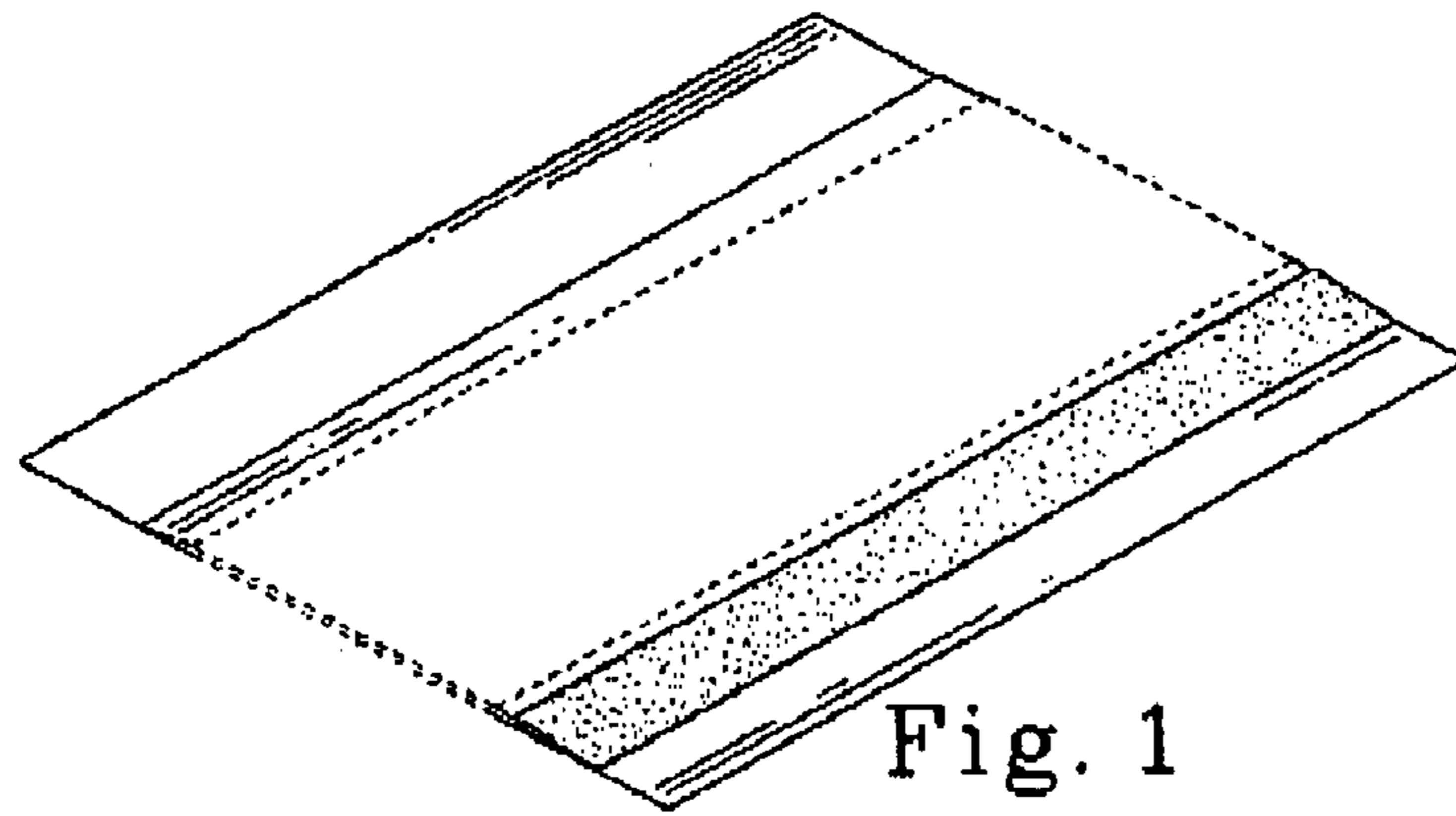


Fig. 1

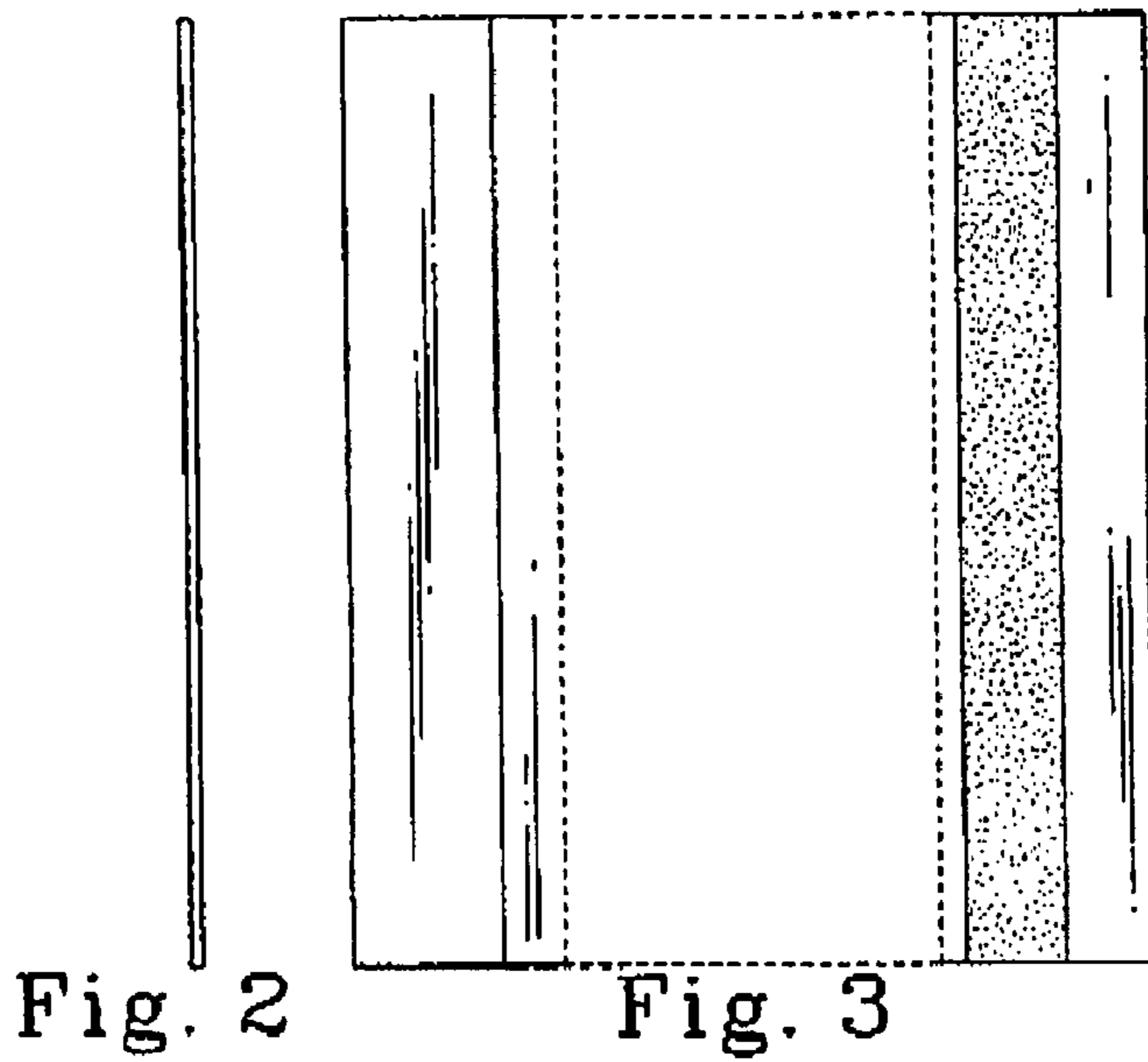


Fig. 2

Fig. 3

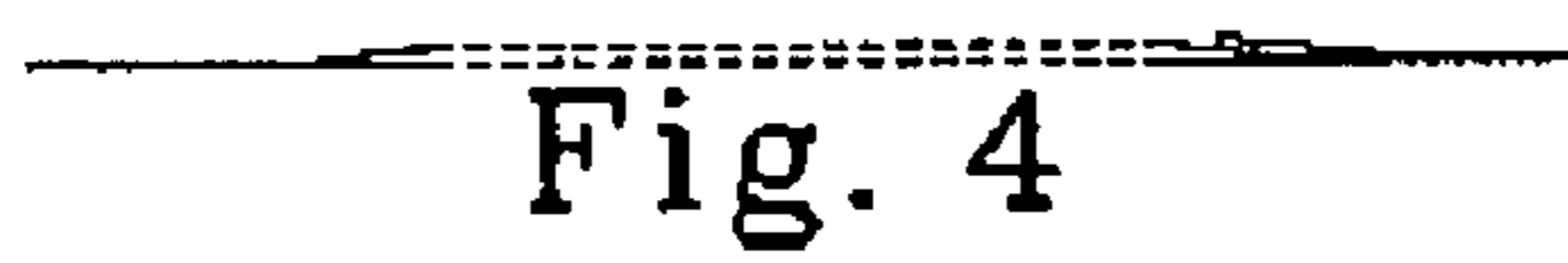


Fig. 4

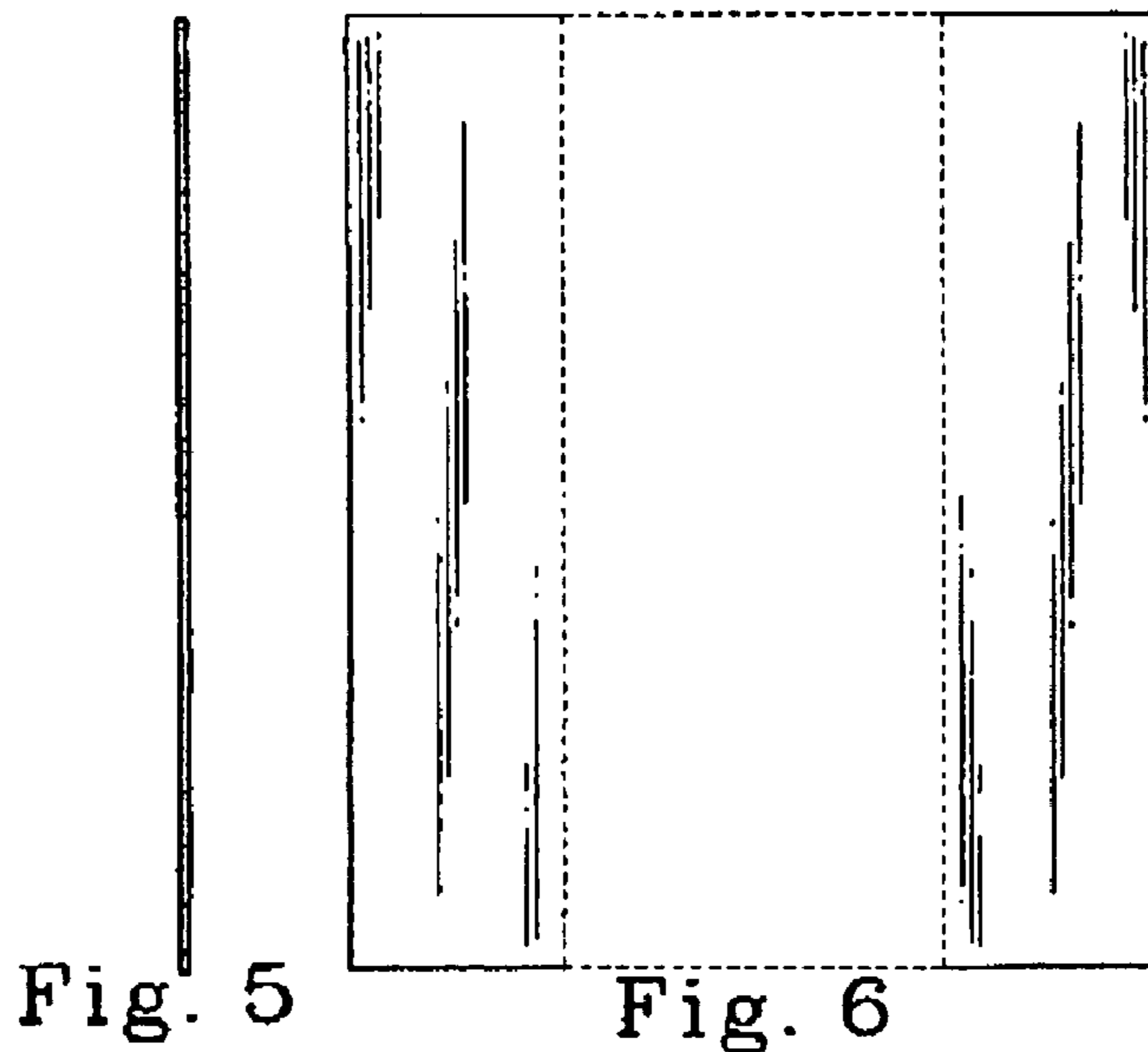


Fig. 5

Fig. 6