



US00D551408S

(12) **United States Design Patent** (10) **Patent No.:** **US D551,408 S**
Pung et al. (45) **Date of Patent:** **** Sep. 18, 2007**

(54) **CLEANING PAD HAVING COLORED STRIP(S)**

(75) Inventors: **David John Pung**, Loveland, OH (US); **Hugh Joseph O'Donnell**, Cincinnati, OH (US); **Edward Philip Allie**, West Chester, OH (US); **Vincent Sean Breidenbach**, Middletown, OH (US)

(73) Assignee: **The Procter & Gamble Company**, Cincinnati, OH (US)

(**) Term: **14 Years**

(21) Appl. No.: **29/268,038**

(22) Filed: **Oct. 27, 2006**

Related U.S. Application Data

(63) Continuation of application No. 29/217,747, filed on Oct. 8, 2003.

(51) **LOC (8) Cl.** **04-01**

(52) **U.S. Cl.** **D32/40**

(58) **Field of Classification Search** D32/35, D32/40, 50; 15/104.93, 104.94, 208, 209.1, 15/228, 231, 233; 442/381; D5/57; D19/9-11; D20/27

See application file for complete search history.

(56) **References Cited**

U.S. PATENT DOCUMENTS

1,635,350	A *	7/1927	Simons	451/527
1,978,450	A *	10/1934	Crawford et al.	38/141
2,778,044	A *	1/1957	Mikulski	401/23
2,961,678	A *	11/1960	MacLellan, Jr. et al.	.	15/104.94
3,015,834	A *	1/1962	Marrinson et al.	15/228
3,400,420	A *	9/1968	Granville et al.	15/104.93
4,896,768	A *	1/1990	Anderson	206/210
4,899,416	A *	2/1990	Francis	15/104.93
5,148,572	A *	9/1992	Wells et al.	15/118
5,227,844	A *	7/1993	Bhattacharjee et al.	399/99
5,918,341	A *	7/1999	Hale	15/209.1

FOREIGN PATENT DOCUMENTS

GB 2176499 A * 12/1986 15/104.93

* cited by examiner

Primary Examiner—Pamela J. Burgess

(74) *Attorney, Agent, or Firm*—Thibault Fayette; Larry L. Huston

(57) **CLAIM**

The ornamental design for a cleaning pad having colored strip(s), as shown and described.

DESCRIPTION

FIG. 1 is a perspective view of a cleaning pad having colored strip(s), showing our new design, it should be understood that the stippled surface shading represents a strip of a contrasting color relative to the color of the cleaning pad;

FIG. 2 is a left side view thereof;

FIG. 3 is a top view of the cleaning pad having colored strip(s) of FIG. 1;

FIG. 4 is a front view of the cleaning pad having colored strip(s) of FIG. 1, the rear view is a mirror image thereto;

FIG. 5 is a right side view of the cleaning pad having colored strip(s) of FIG. 1;

FIG. 6 is a bottom view of the cleaning pad having colored strip(s) of FIG. 1;

FIG. 7 is a perspective view of another embodiment of the cleaning pad having colored strip(s), it should be understood that the stippled surface shading represents a strip of a contrasting color relative to the color of the cleaning pad;

FIG. 8 is a left side view thereof;

FIG. 9 is a top view of the cleaning pad having colored strip(s) of FIG. 7;

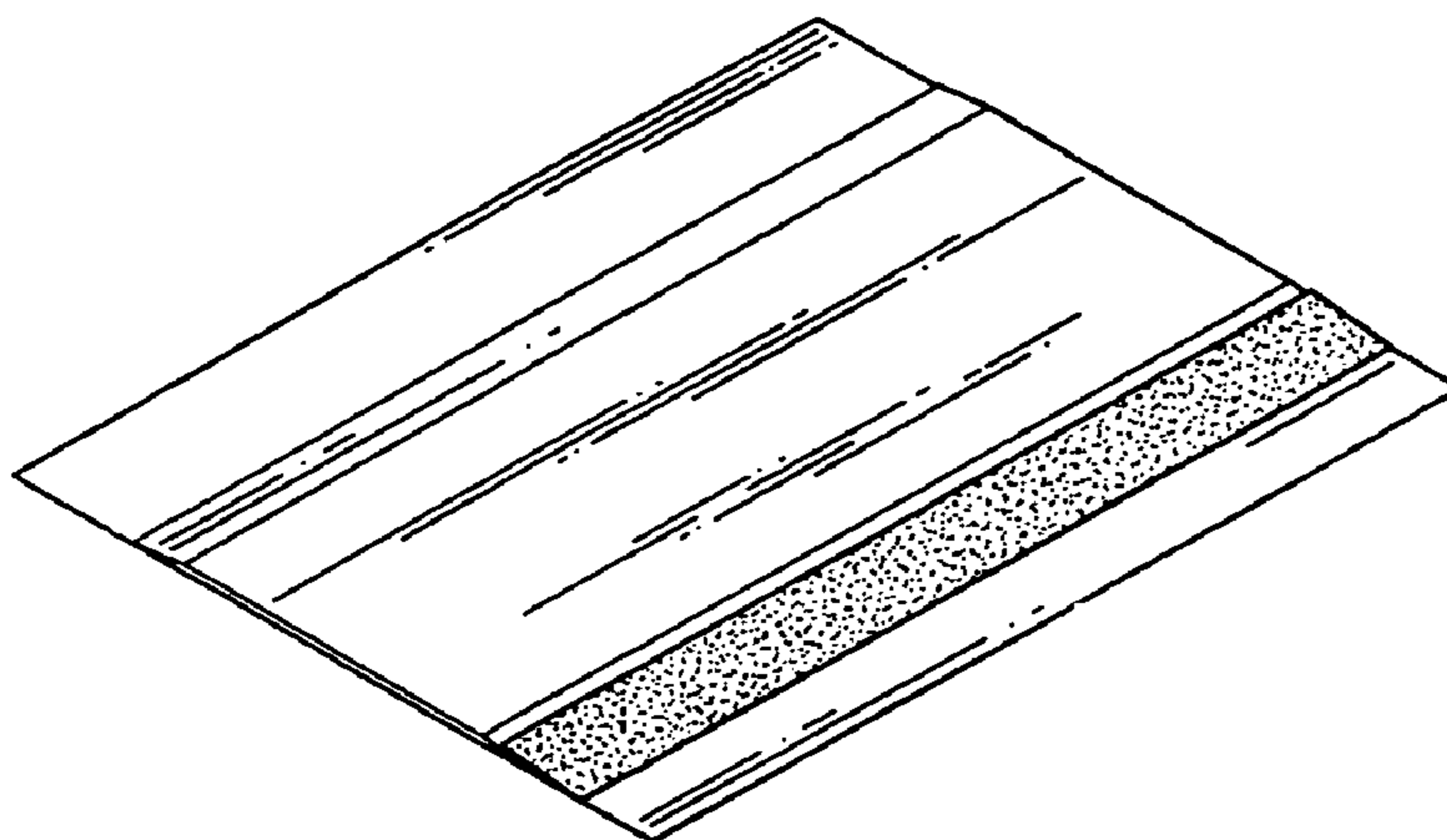
FIG. 10 is a front view of the cleaning pad having colored strip(s) of FIG. 7, the rear view is a mirror image thereto;

FIG. 11 is a right side view of the cleaning pad having colored strip(s) of FIG. 7; and,

FIG. 12 is a bottom view of the cleaning pad having colored strip(s) of FIG. 7.

The broken lines shown in the drawings are for illustrative purposes only and form no part of the claimed design.

1 Claim, 2 Drawing Sheets



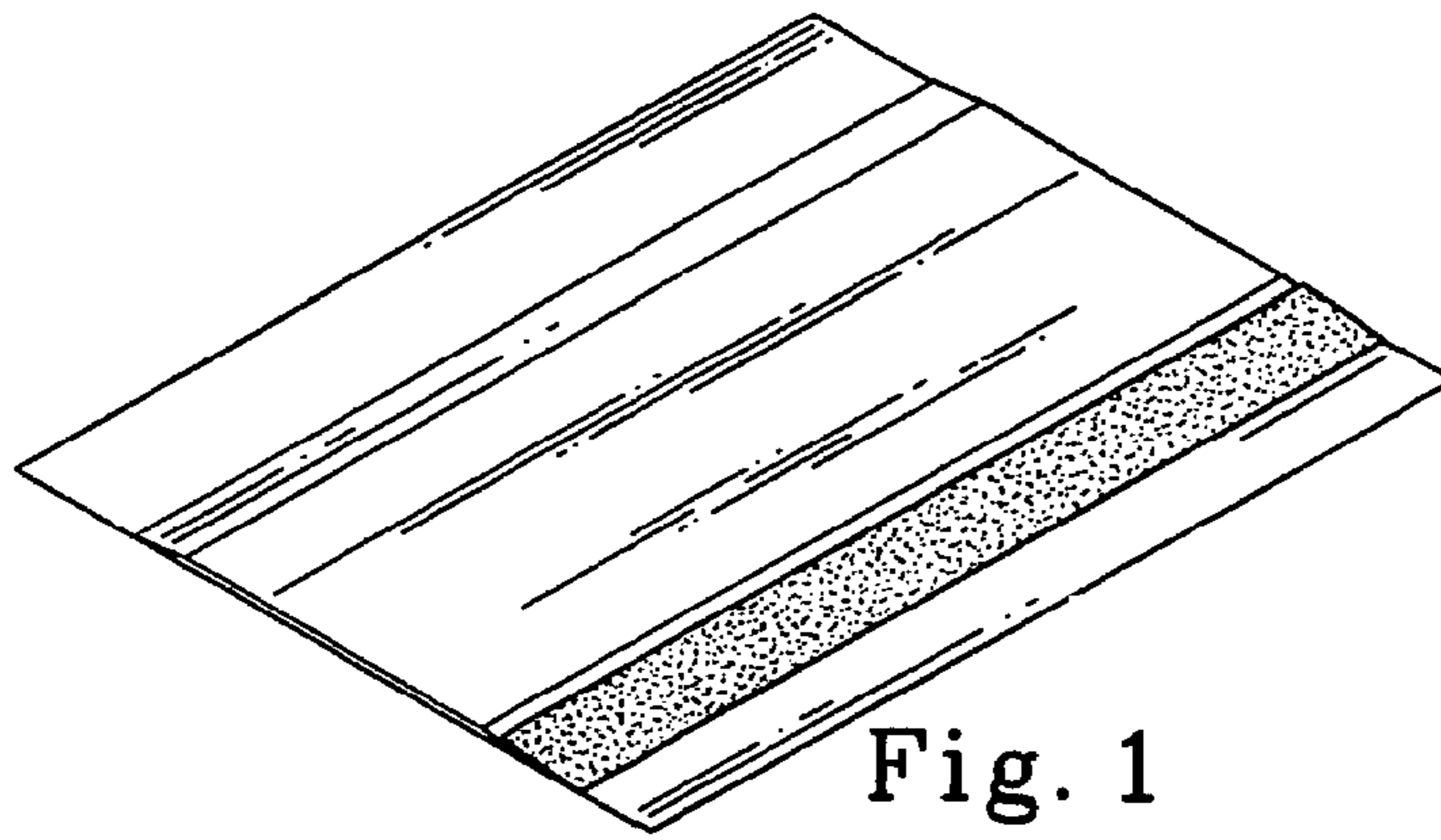


Fig. 1

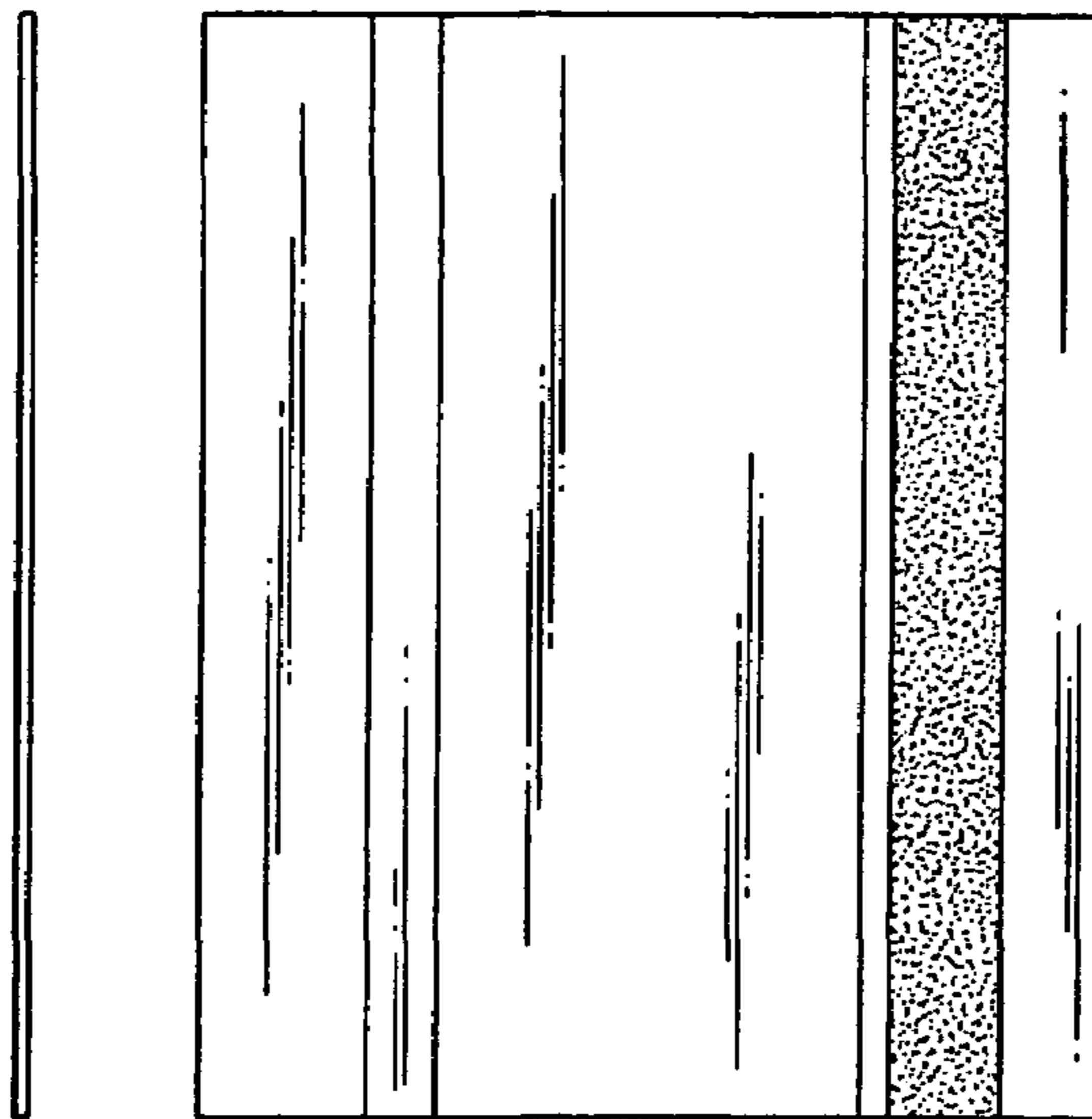


Fig. 2

Fig. 3



Fig. 4

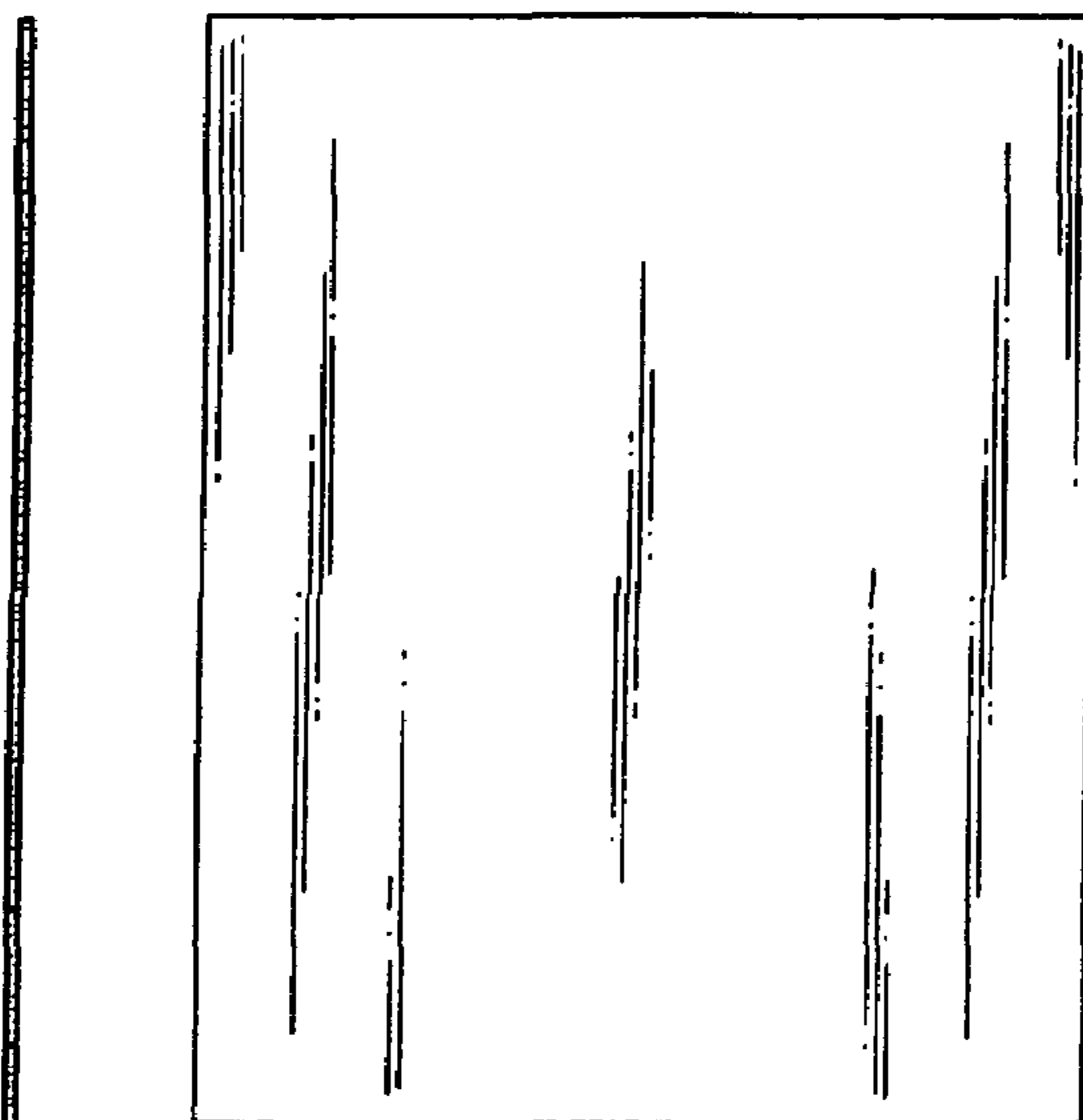


Fig. 5

Fig. 6

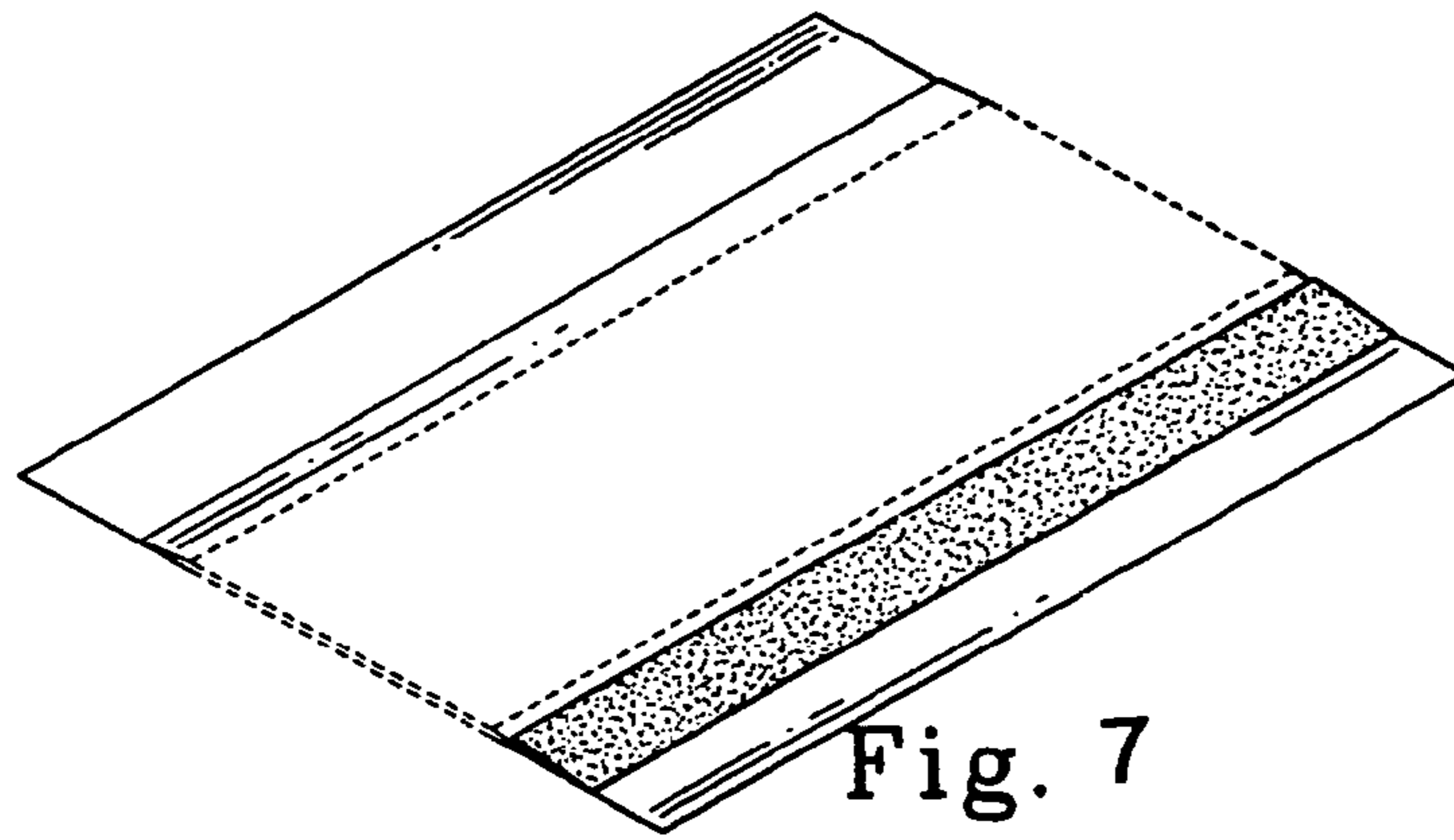


Fig. 7

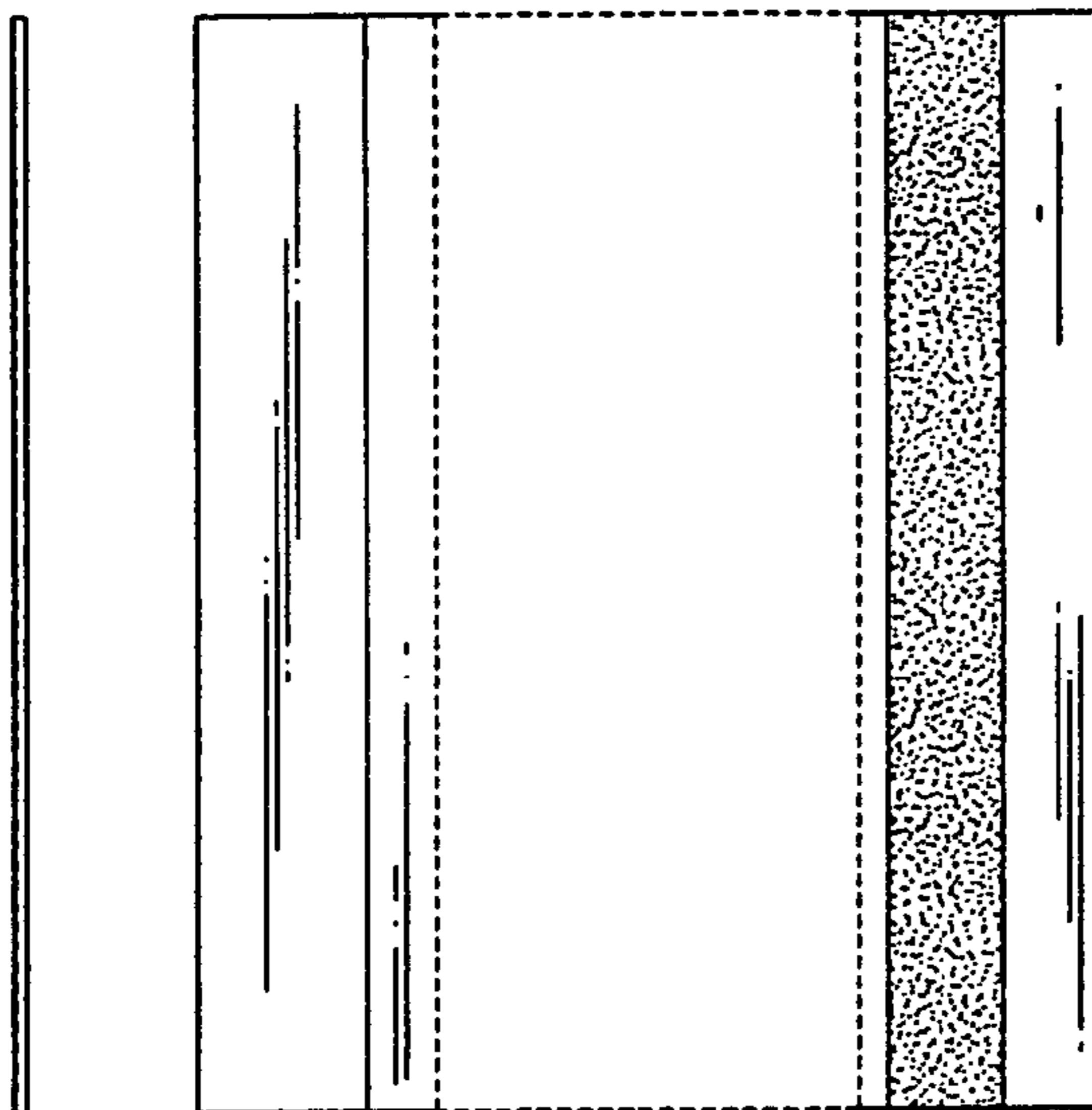


Fig. 8

Fig. 9

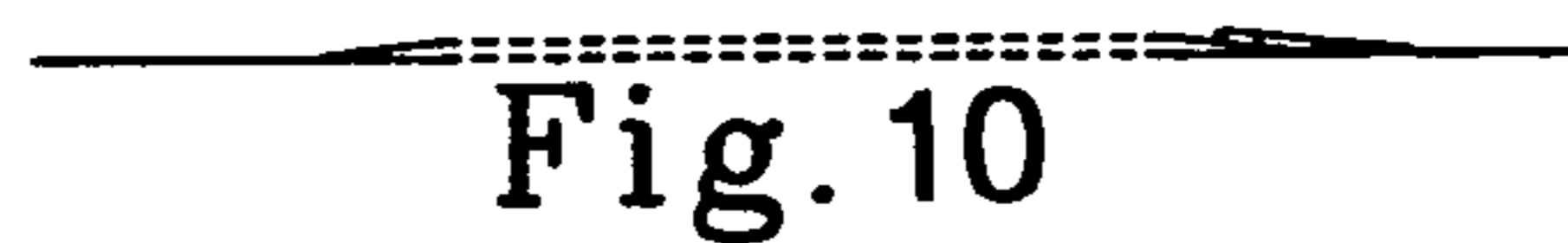


Fig. 10

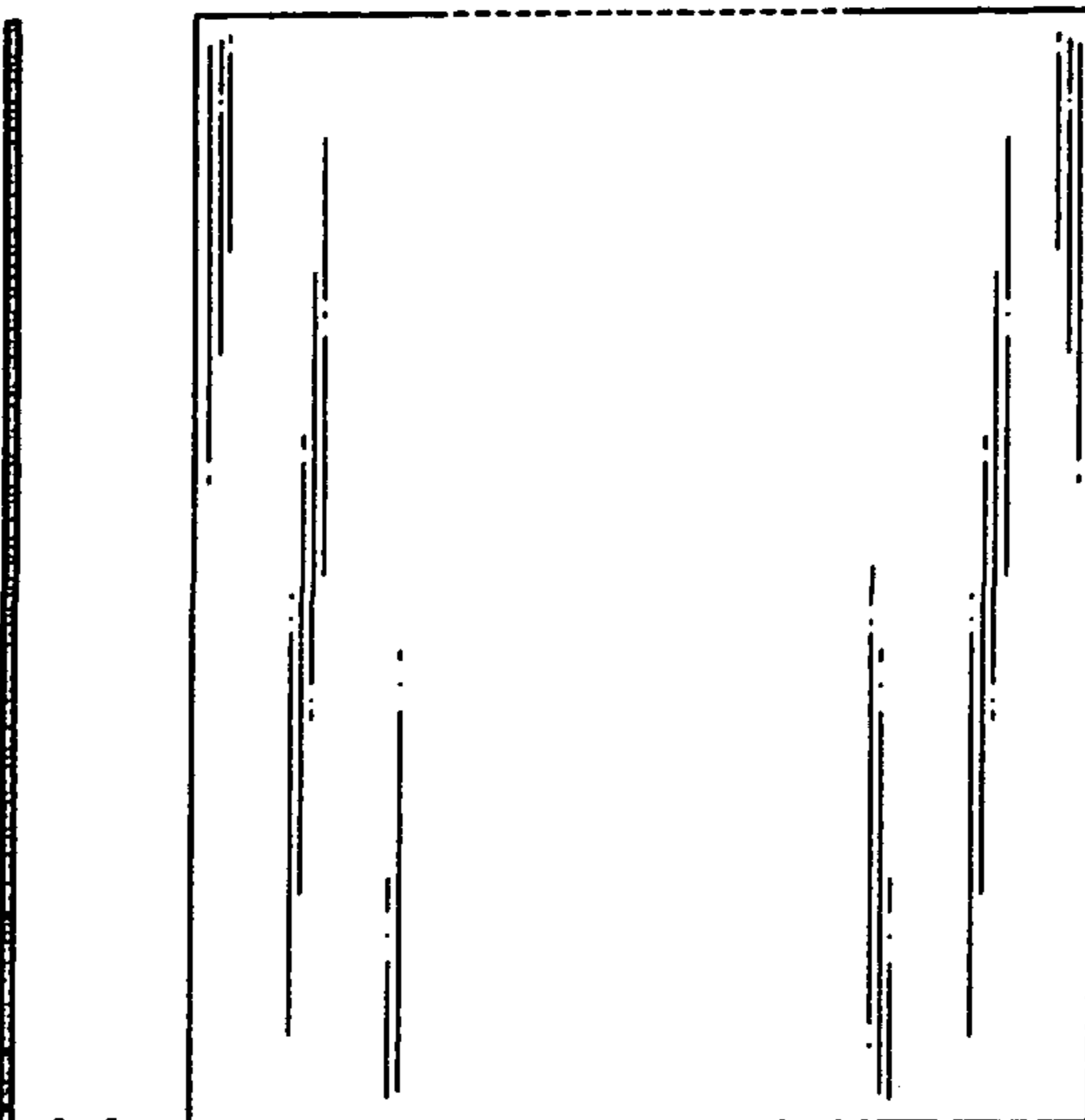


Fig. 11

Fig. 12