



US00D551403S

(12) **United States Design Patent**
Shin

(10) **Patent No.:** **US D551,403 S**

(45) **Date of Patent:** **** Sep. 18, 2007**

(54) **VACUUM CLEANER**

(75) Inventor: **Gwan Woo Shin**, Seoul (KR)

(73) Assignee: **Samsung Electronics Co., Ltd.**, Suwon (KR)

(**) Term: **14 Years**

(21) Appl. No.: **29/269,304**

(22) Filed: **Nov. 28, 2006**

(51) **LOC (8) Cl.** **15-05**

(52) **U.S. Cl.** **D32/21**

(58) **Field of Classification Search** D32/21,
D32/23-24, 31; 15/301, 320-321, 323, 327.1-327.4,
15/327.6-327.7, 329, 347, 352-353, 412;
55/337, 429, 345; 95/271; 210/512.1, 512.2
See application file for complete search history.

(56) **References Cited**

U.S. PATENT DOCUMENTS

D448,128 S *	9/2001	Oh	D32/21
D498,886 S *	11/2004	Fujii	D32/21
D523,195 S *	6/2006	Choi	D32/21
D530,467 S *	10/2006	Tokunaga	D32/21
D533,693 S *	12/2006	Lee	D32/21
2006/0101610 A1 *	5/2006	Oh et al.	15/327.2

* cited by examiner

Primary Examiner—Ruth McInroy

(74) *Attorney, Agent, or Firm*—Ladas and Parry LLP

(57) **CLAIM**

I claim the ornamental design for a vacuum cleaner, as shown and described.

DESCRIPTION

FIG. 1 is a front/left-side/top perspective view of a vacuum cleaner showing our new design;

FIG. 2 is a front elevational view thereof;

FIG. 3 is a rear elevational view thereof;

FIG. 4 is a left-side elevational view thereof;

FIG. 5 is a right-side elevational view thereof;

FIG. 6 is a top plan view thereof;

FIG. 7 is a bottom plan view thereof; and,

FIG. 8 is a top, front and right side perspective view of the vacuum cleaner of FIG. 1 shown with the hose and the brush connected.

The broken lines in the drawings are for illustrative purposes only and form no part of the claimed design.

1 Claim, 8 Drawing Sheets

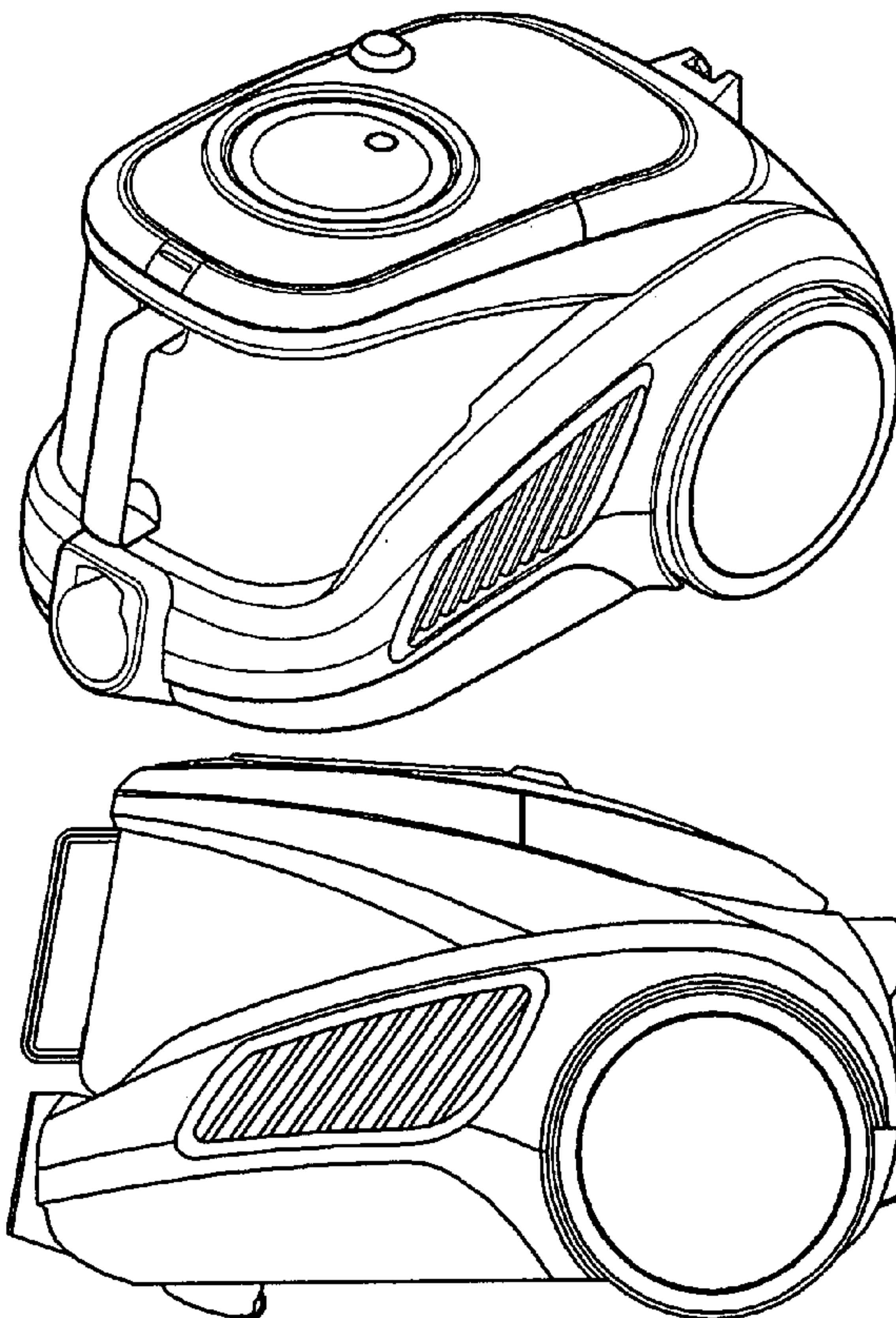


FIG. 1

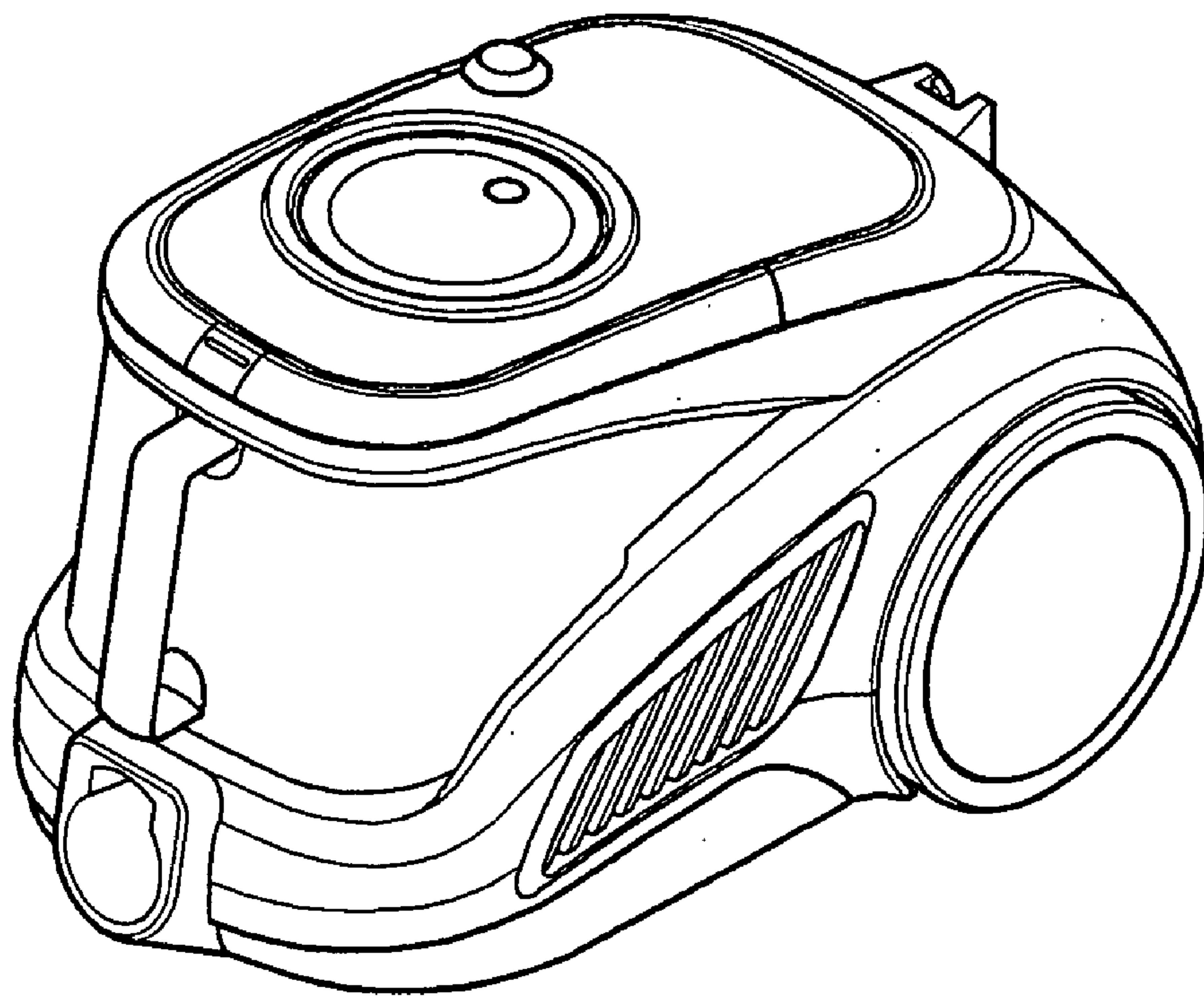


FIG. 2

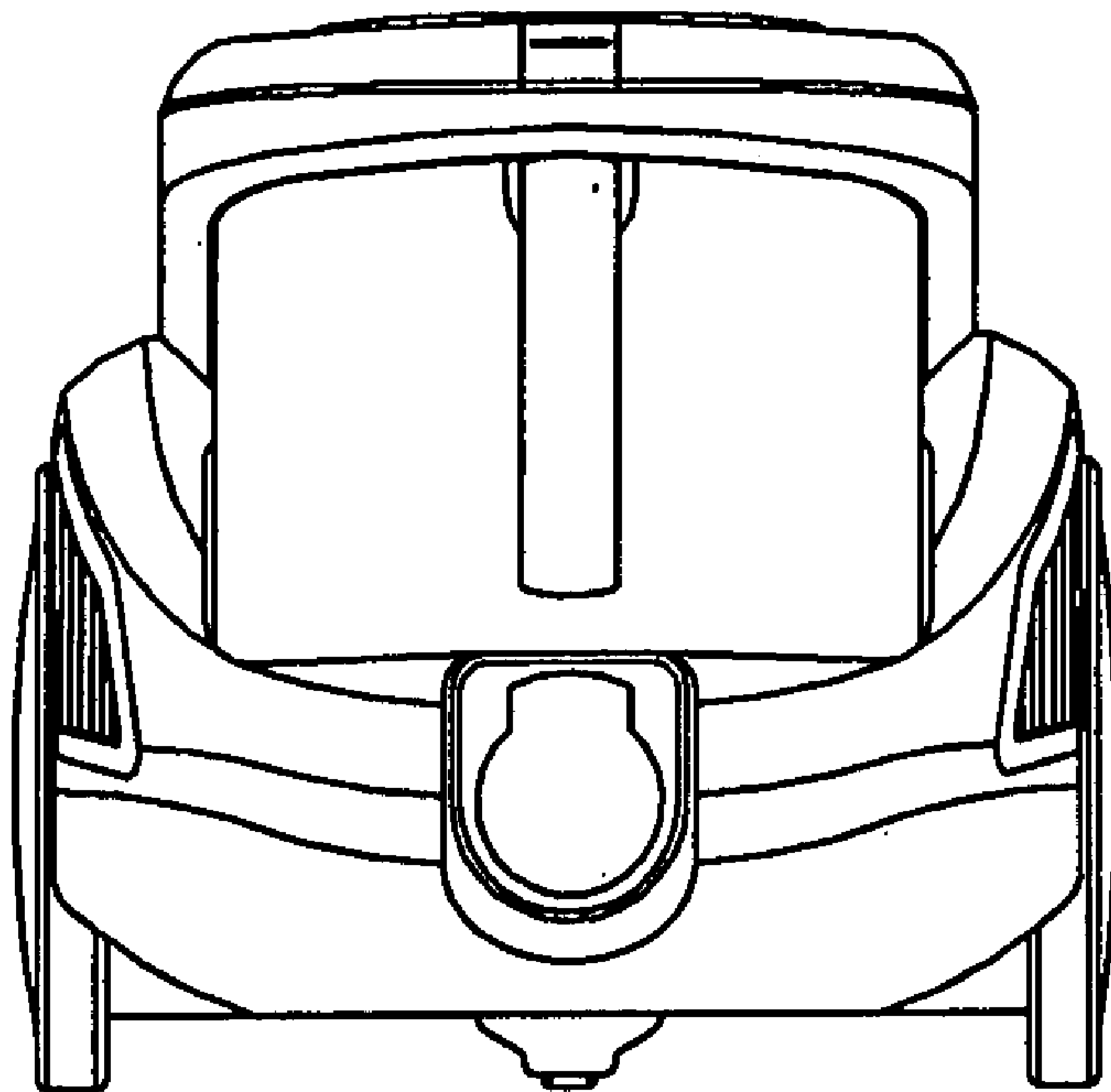


FIG. 3

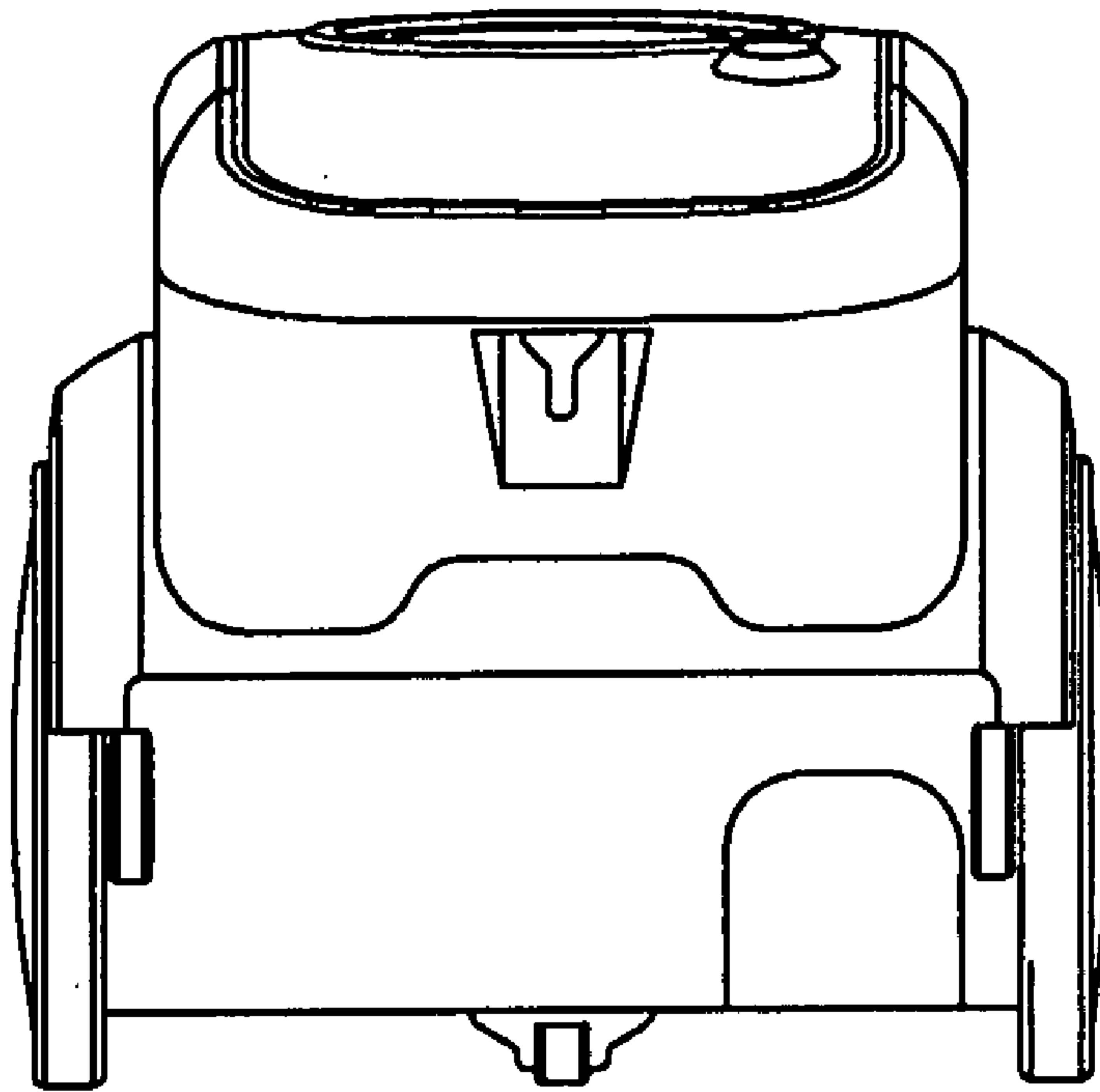


FIG. 4

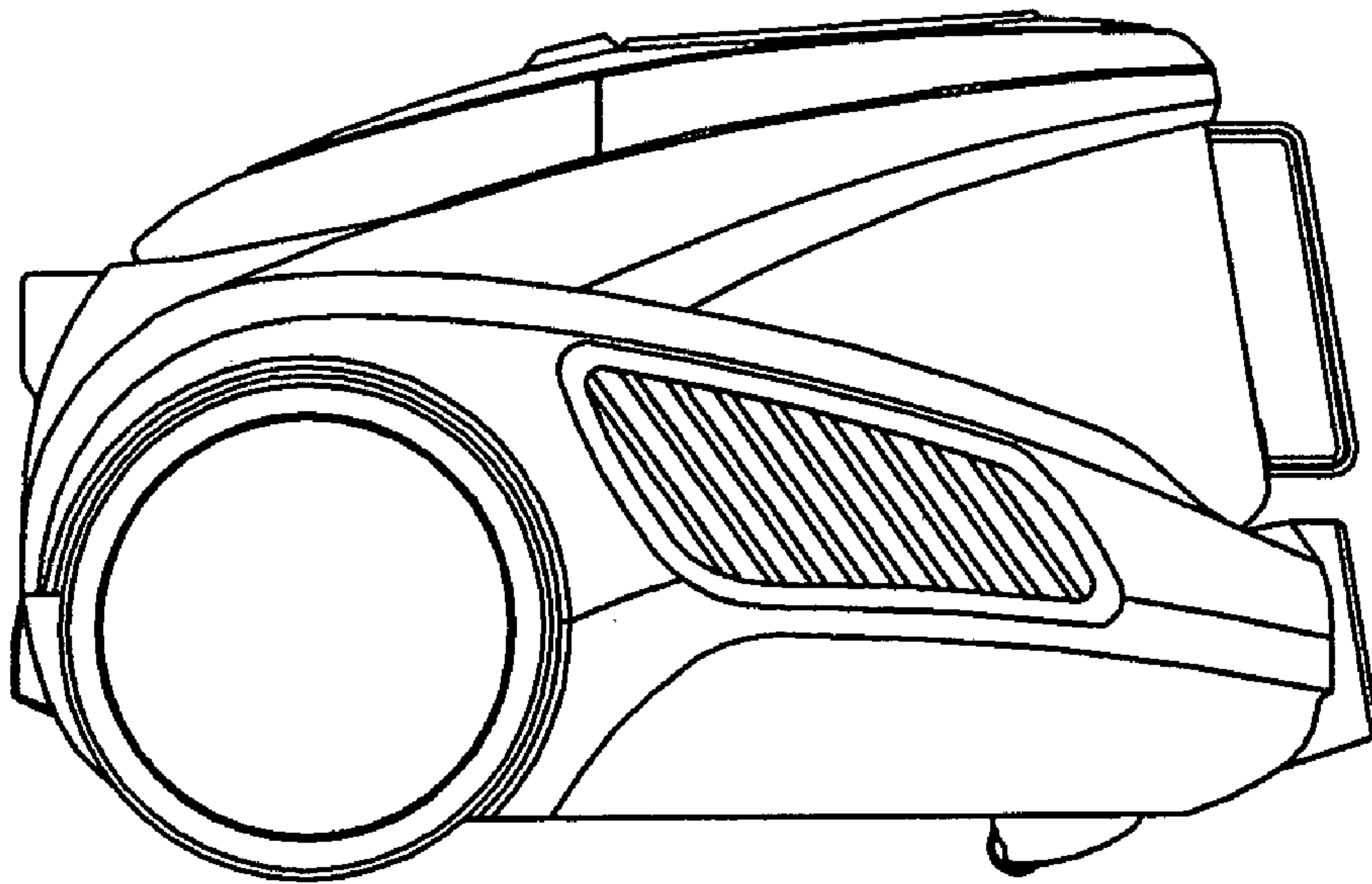


FIG. 5

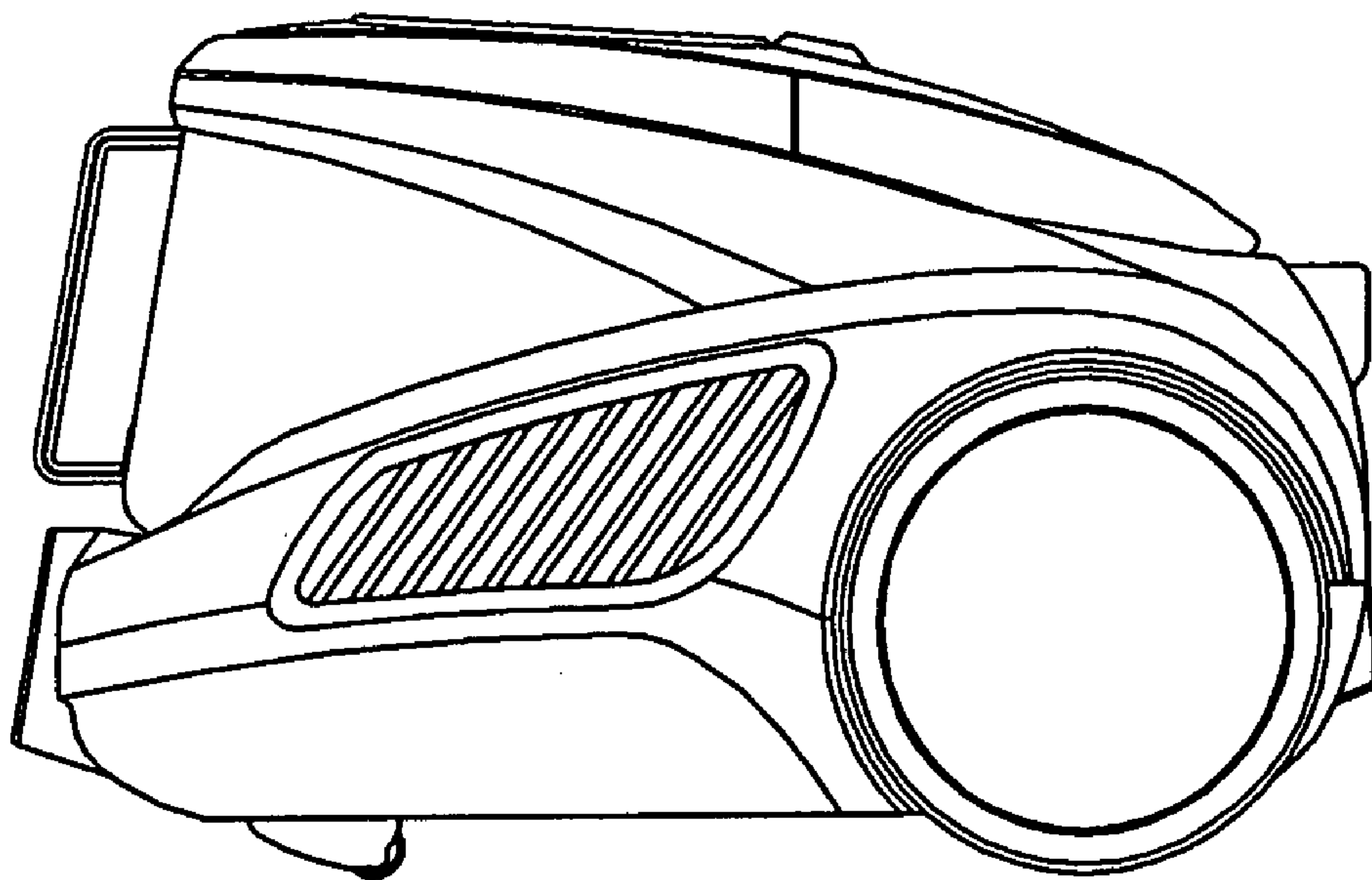


FIG. 6

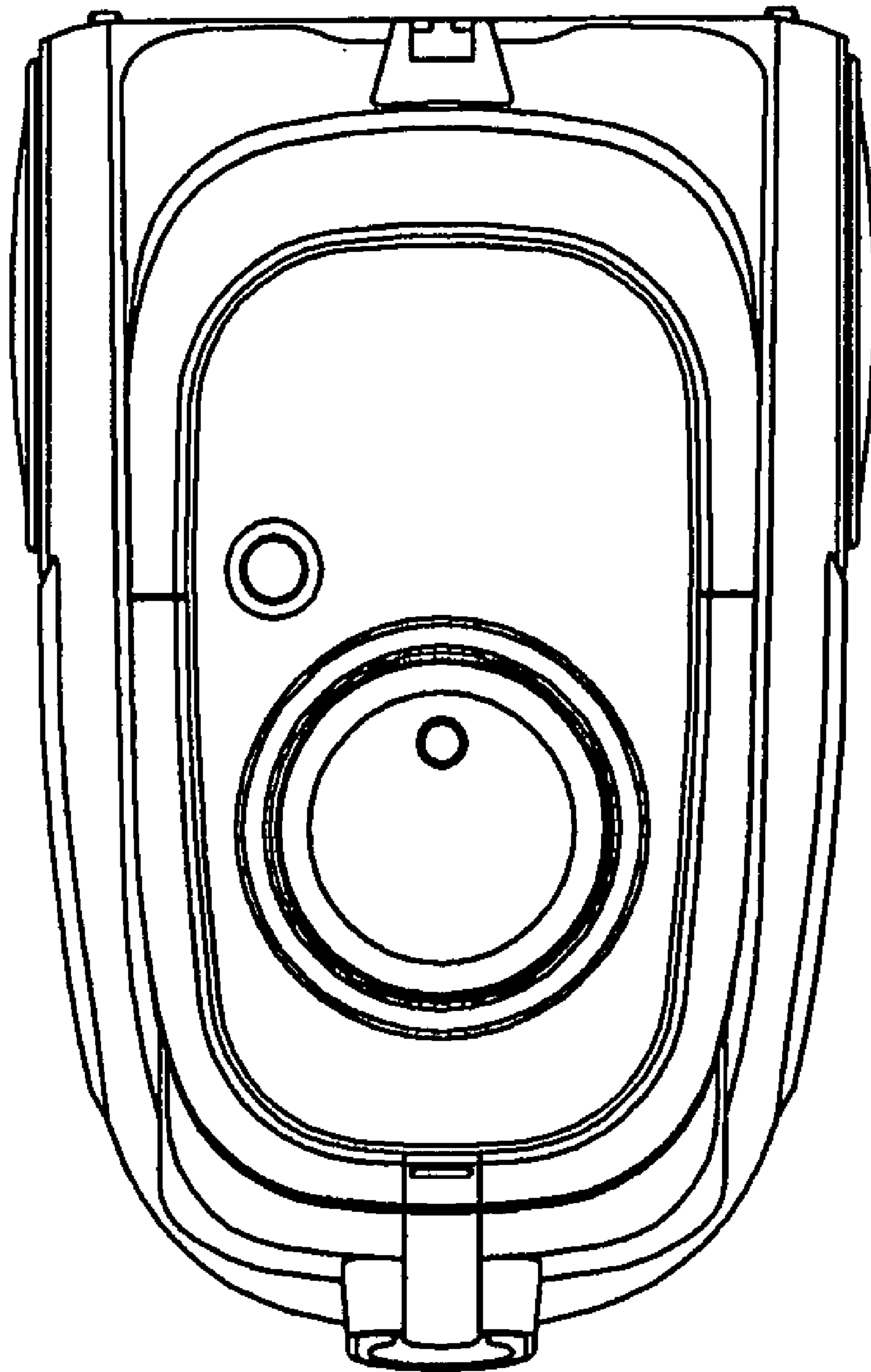


FIG. 7

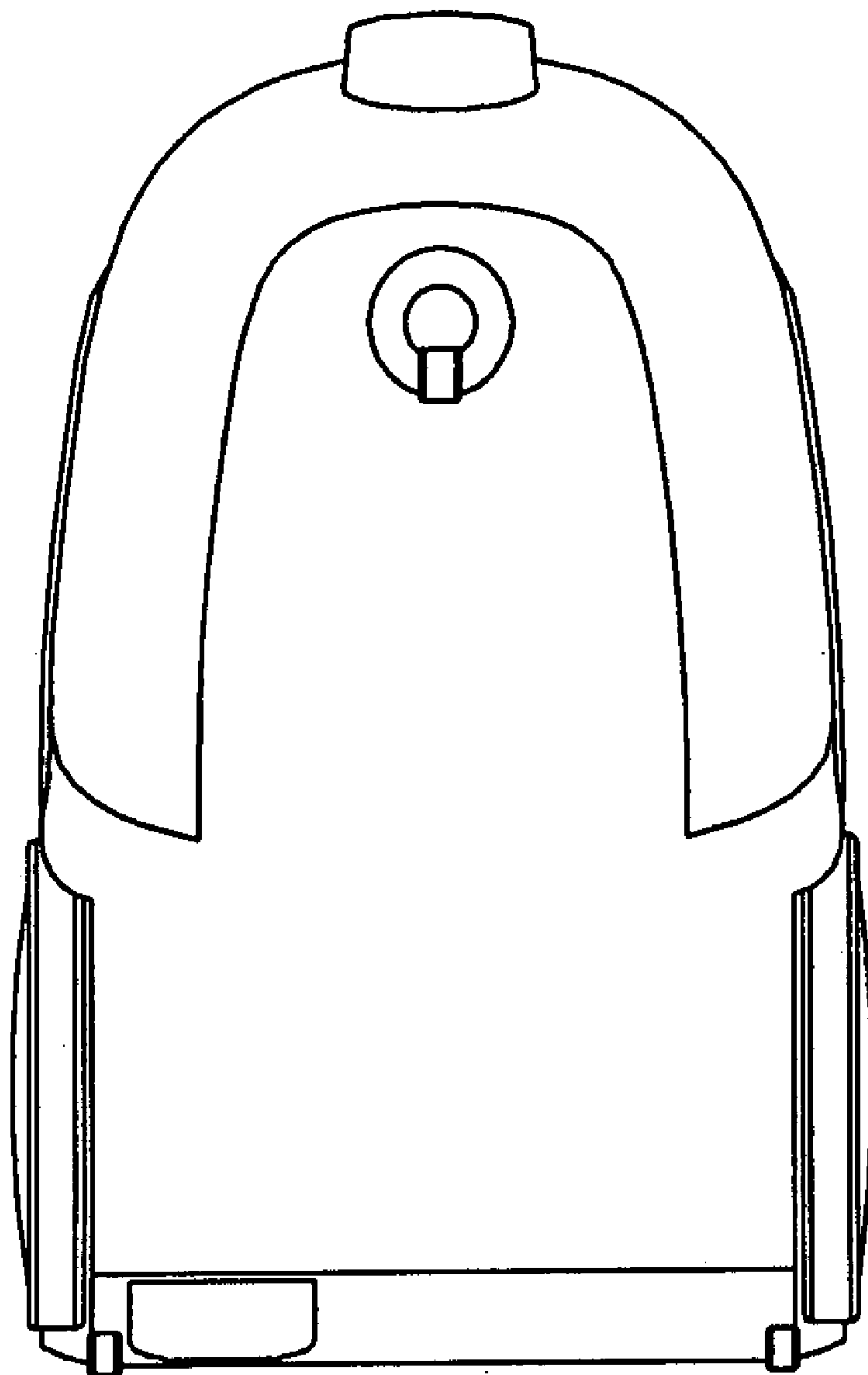


FIG. 8

