



US00D551402S

(12) **United States Design Patent**  
**Jung et al.**

(10) **Patent No.: US D551,402 S**  
(45) **Date of Patent: \*\* Sep. 18, 2007**

(54) **LAUNDRY DRYER**

(75) Inventors: **Gil Su Jung**, Seoul (KR); **Young Il Kim**, Incheon (KR); **Yun Tae Jung**, Seoul (KR)

(73) Assignee: **LG Electronics Inc.**, Seoul (KR)

(\*\*) Term: **14 Years**

(21) Appl. No.: **29/233,028**

(22) Filed: **Jun. 28, 2005**

(30) **Foreign Application Priority Data**

Dec. 29, 2004 (KR) ..... 30-2004-0040604

(51) **LOC (8) Cl.** ..... **15-05**

(52) **U.S. Cl.** ..... **D32/8**

(58) **Field of Classification Search** ..... D32/1,  
D32/5, 6, 8, 10, 25; 34/58, 108, 523, 130-132,  
34/595-597, 600, 417, 499, 534; 68/3 R,  
68/4, 5 R, 12.01, 12.08, 212; 38/1 A; 312/31  
See application file for complete search history.

(56) **References Cited**

**U.S. PATENT DOCUMENTS**

D477,898 S *	7/2003	Geyer	.....	D32/6
D496,709 S *	9/2004	Suh et al.	.....	D32/6
D527,151 S *	8/2006	Jung et al.	.....	D32/8
D527,499 S *	8/2006	Jung et al.	.....	D32/6
D528,711 S *	9/2006	Jung et al.	.....	D32/6

\* cited by examiner

*Primary Examiner*—Louis S. Zarfaz

*Assistant Examiner*—Kathleen Sims

(74) *Attorney, Agent, or Firm*—Birch, Stewart, Kolasch & Birch, LLP

(57) **CLAIM**

The ornamental design for a laundry dryer, as shown and described.

**DESCRIPTION**

FIG. 1 is a perspective view of a laundry dryer showing our new design;

FIG. 2 is a front view thereof;

FIG. 3 is a rear view thereof;

FIG. 4 is a left side view thereof;

FIG. 5 is a right side view thereof;

FIG. 6 is a top plan view thereof;

FIG. 7 is a bottom plan view thereof;

FIG. 8 is a perspective view showing the state in which the control panel is located on the lower part of the present design;

FIG. 9 is a perspective view showing the state in which the control panel is located on the upper part of the present design;

FIG. 10 is a perspective view showing an example of the usage of the present design in which the present design is used together with a washing machine; and,

FIG. 11. is a perspective view showing another example of the usage of the present design in which the present design is used together with a washing machine. In this example of the usage, the control panel of the present design is located on the lower part thereof while the control panel of the washing machine is located on the upper part thereof for user's convenience.

The broken line showing of the washing machine is include for the purpose of illustrating examples of usage of the present design and forms no part of the claimed design.

**1 Claim, 10 Drawing Sheets**

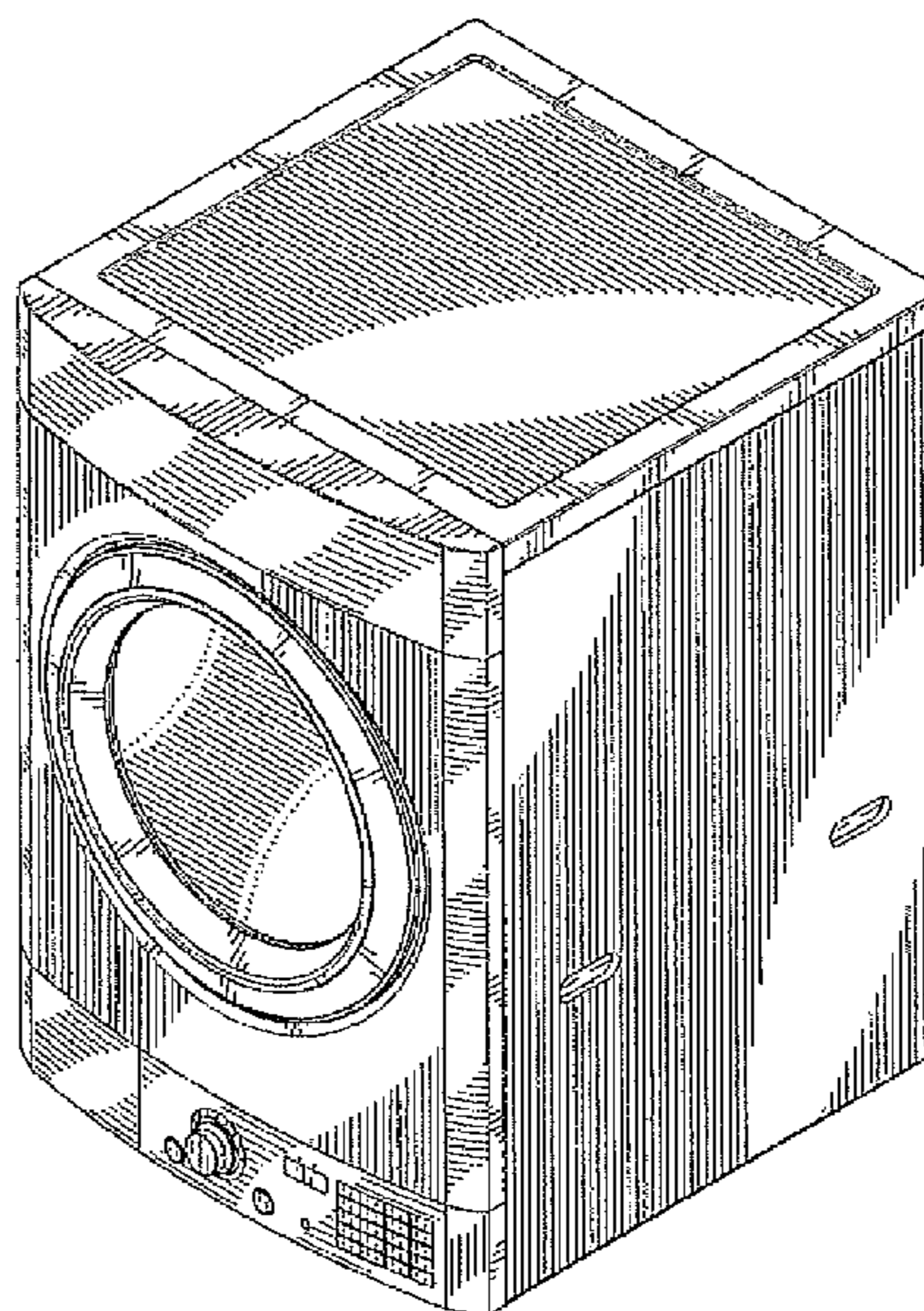
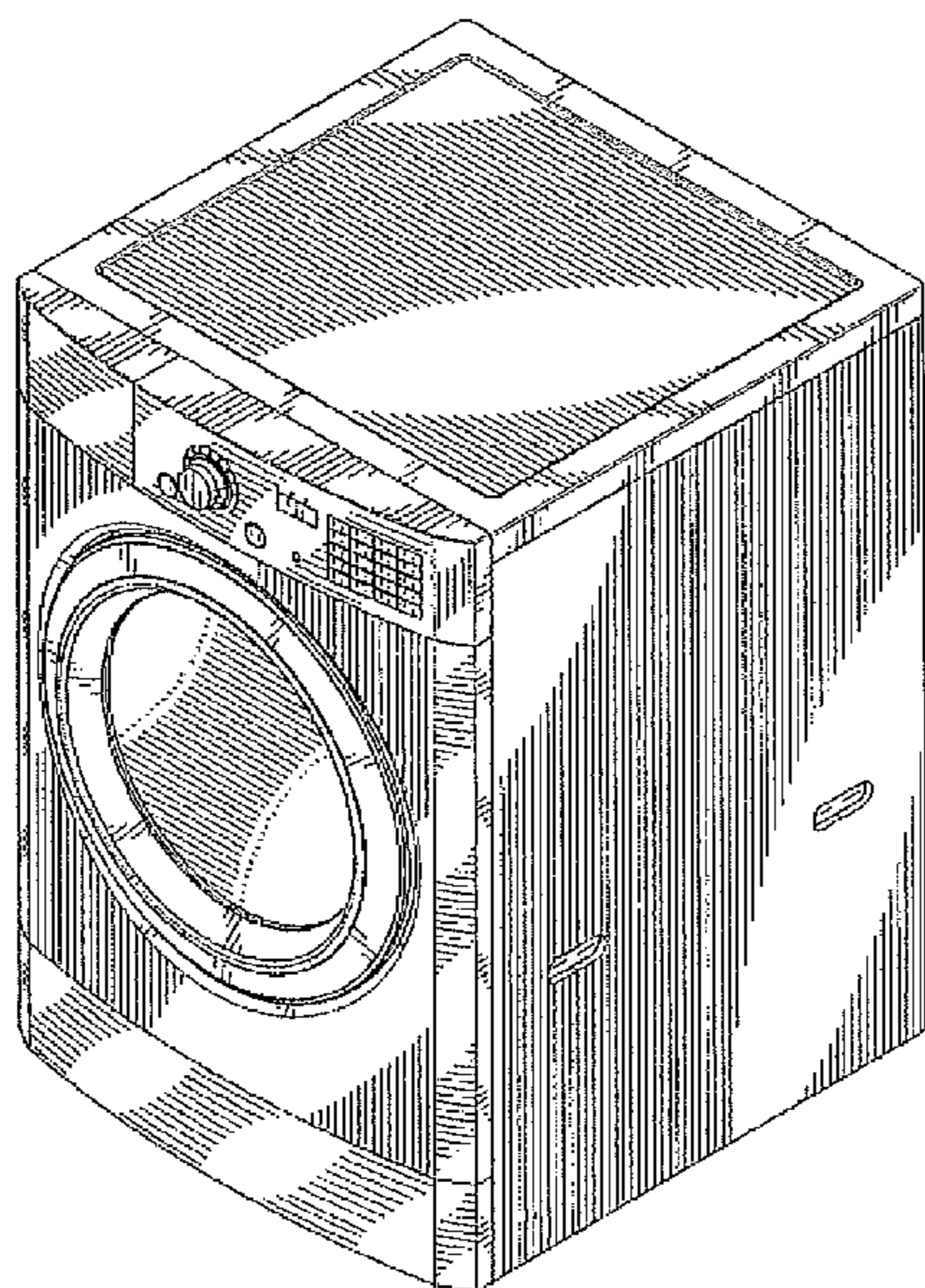


FIG. 1

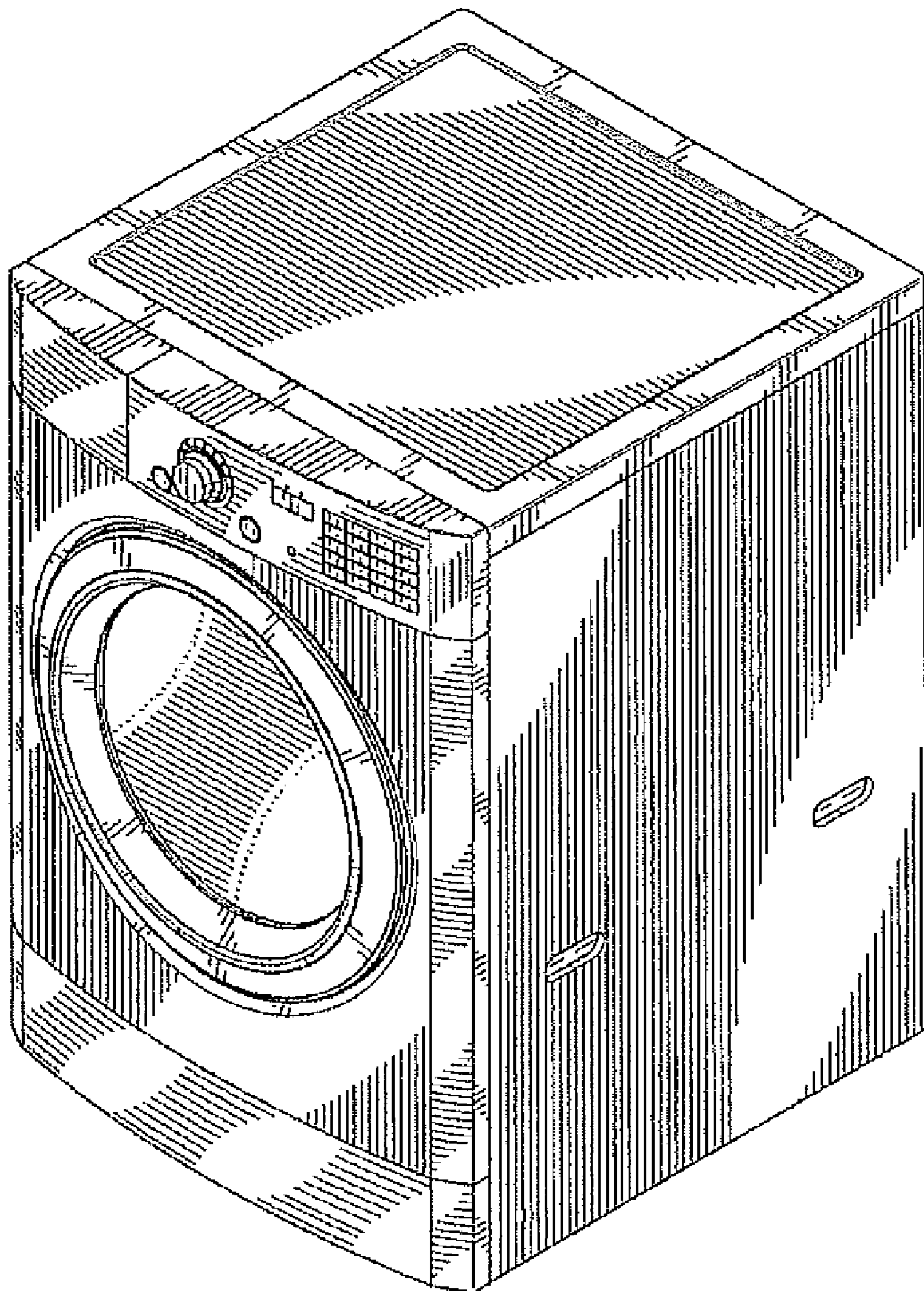


FIG. 2

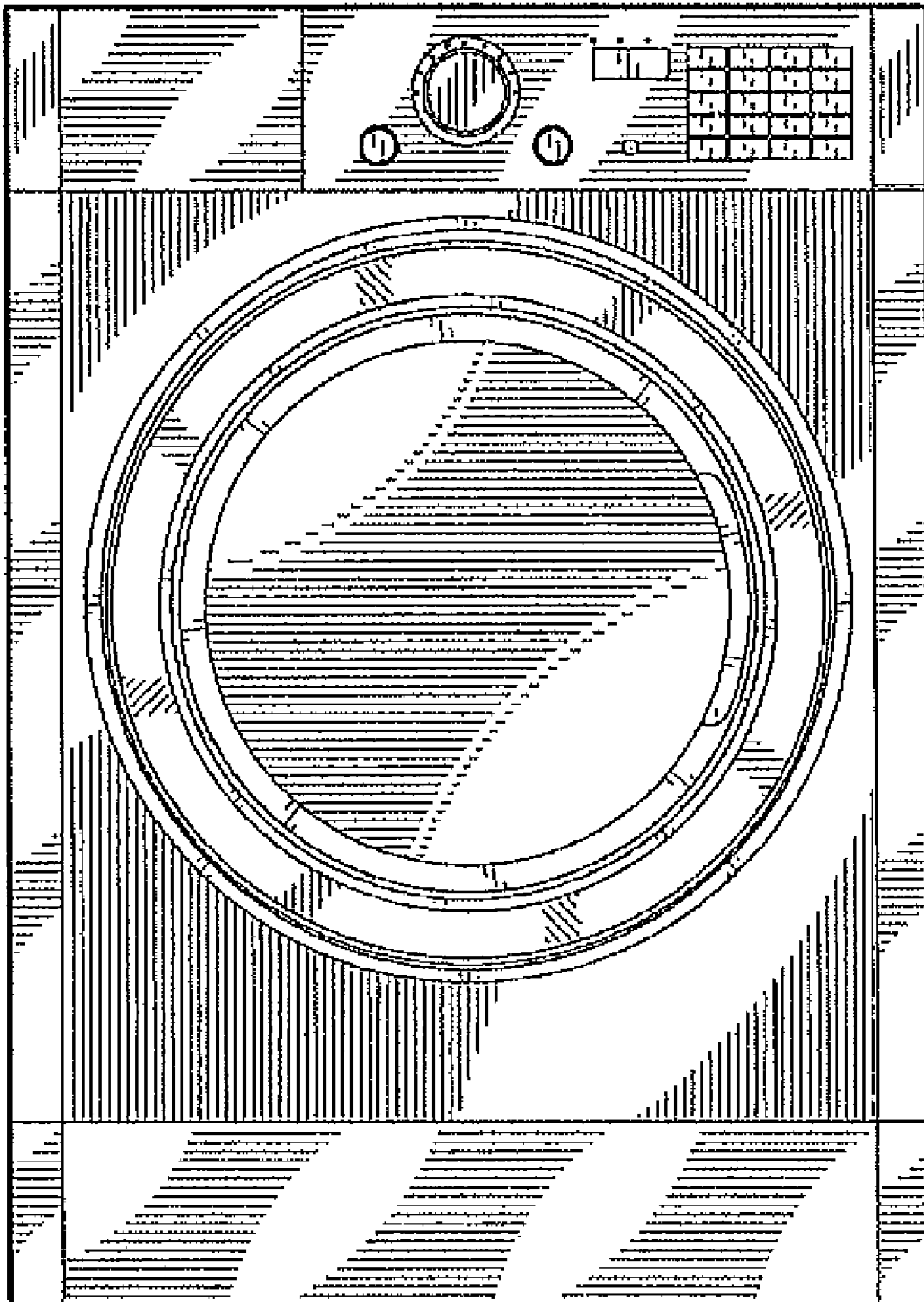


FIG. 3

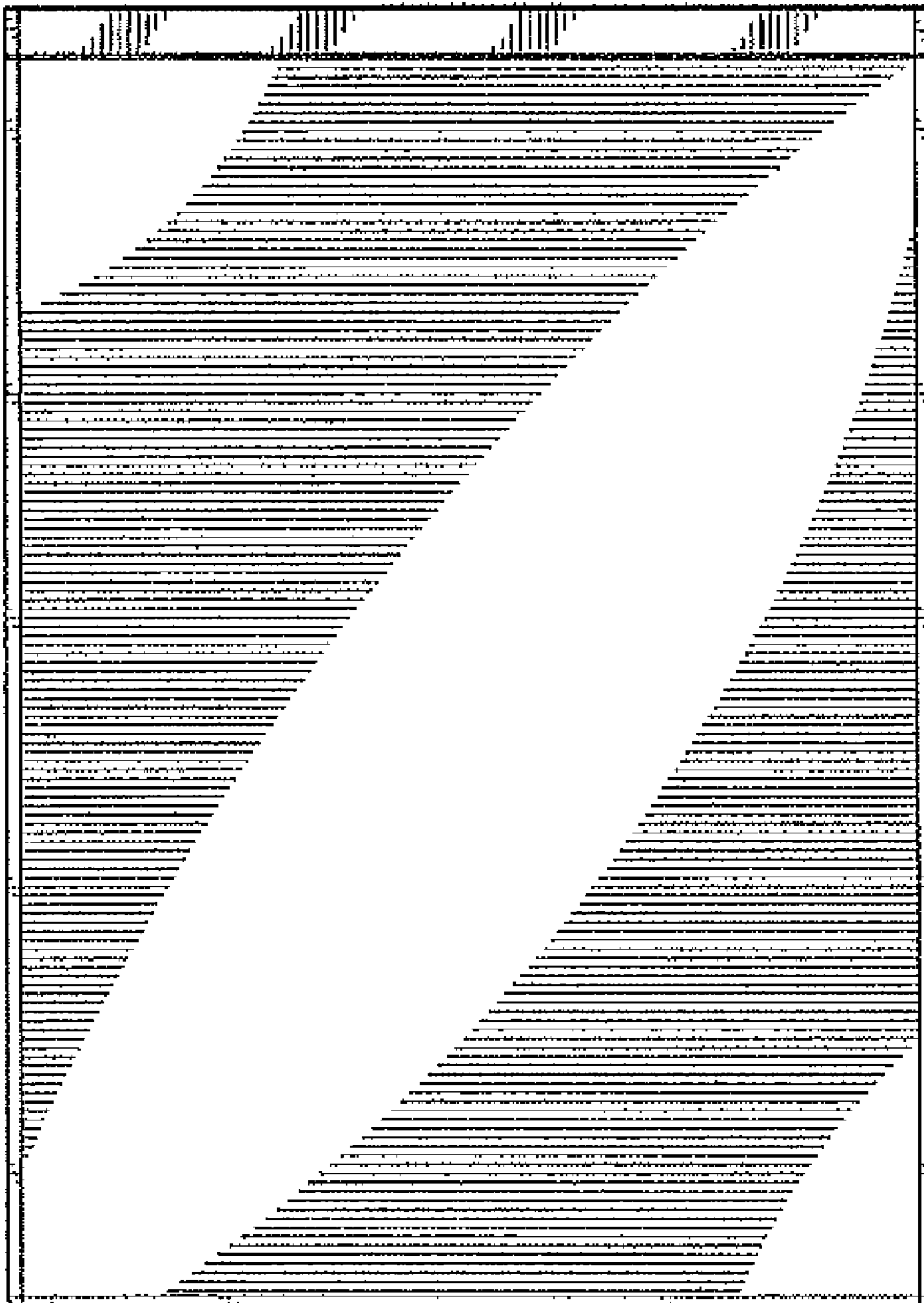


FIG. 4

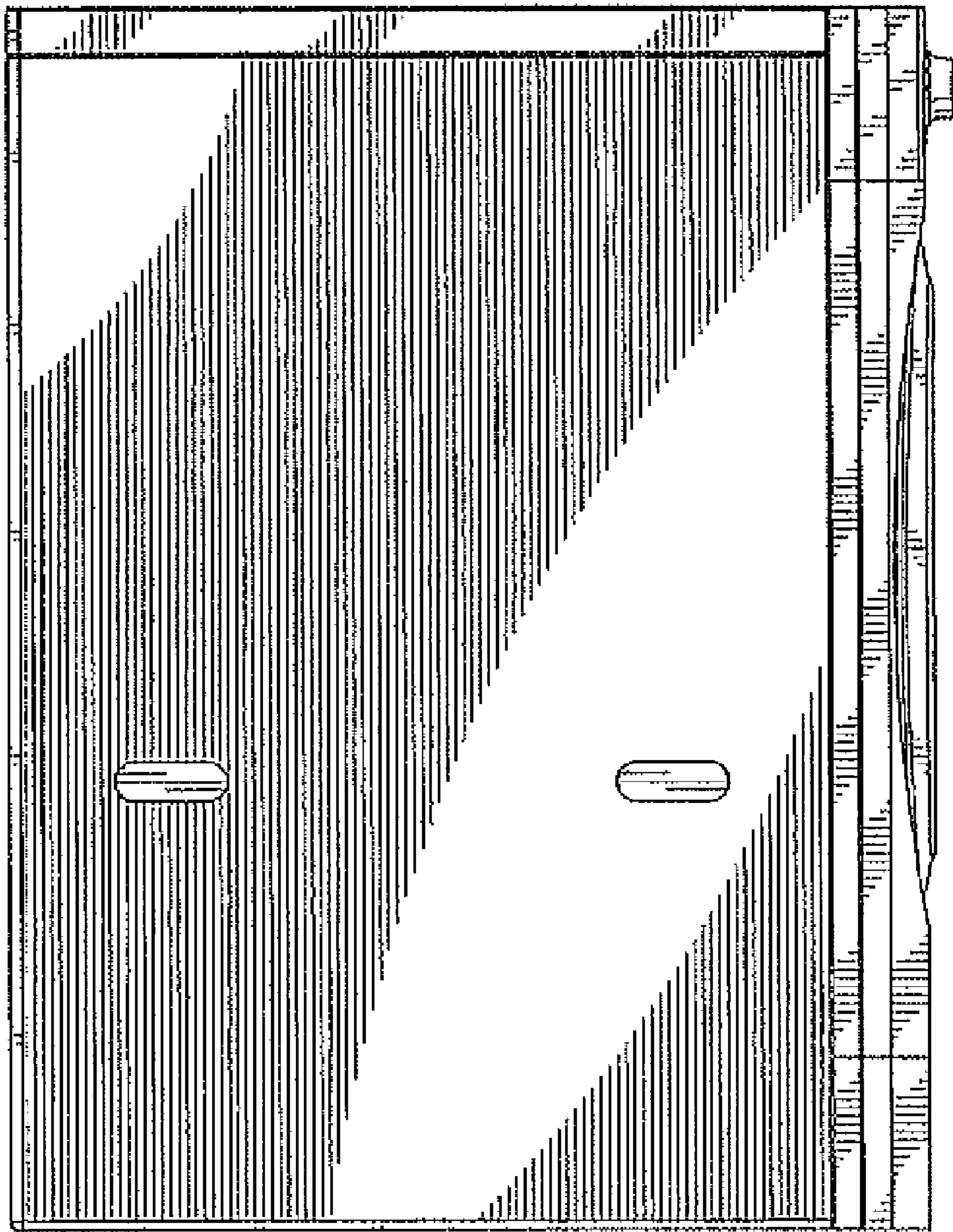


FIG. 5

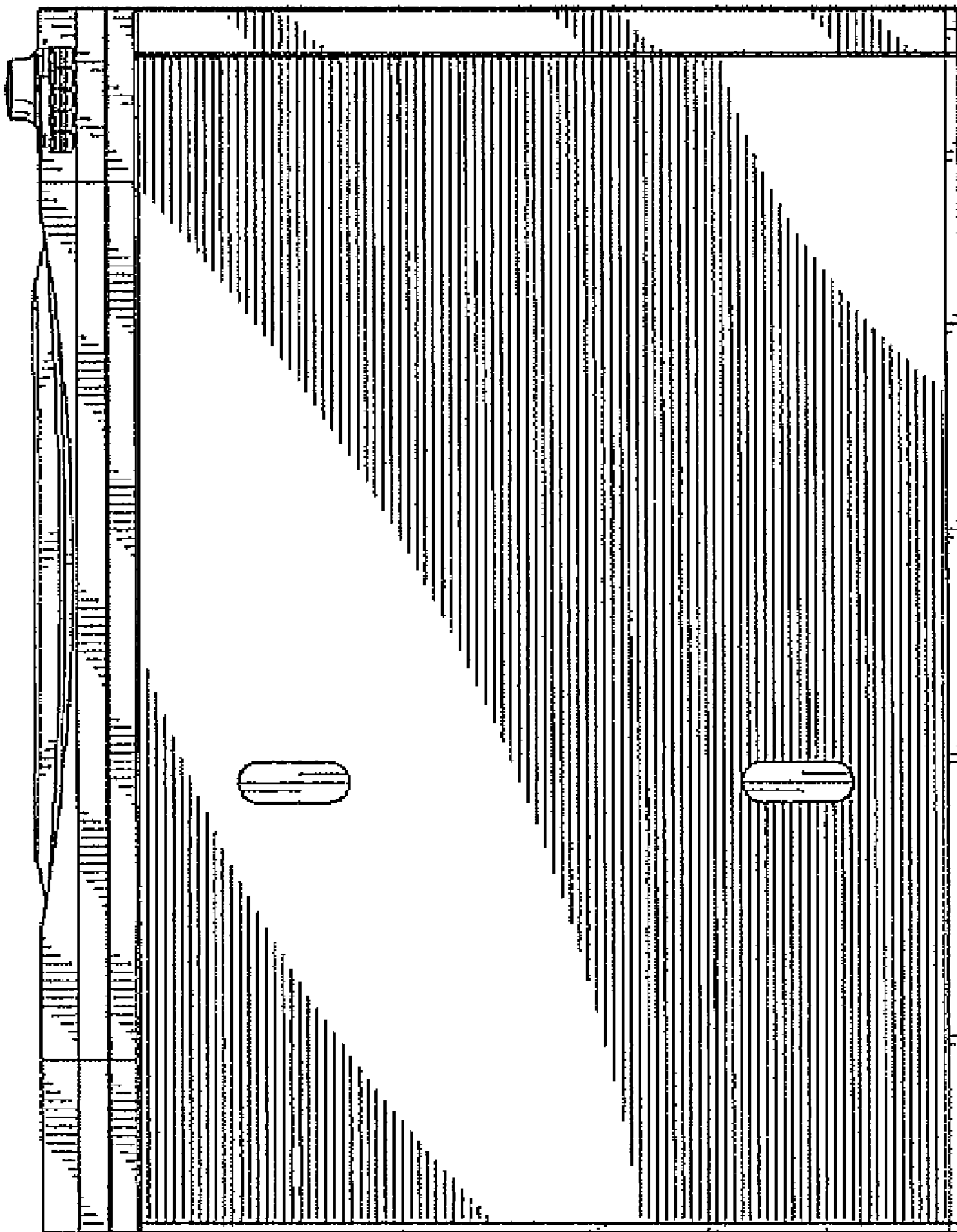


FIG. 6

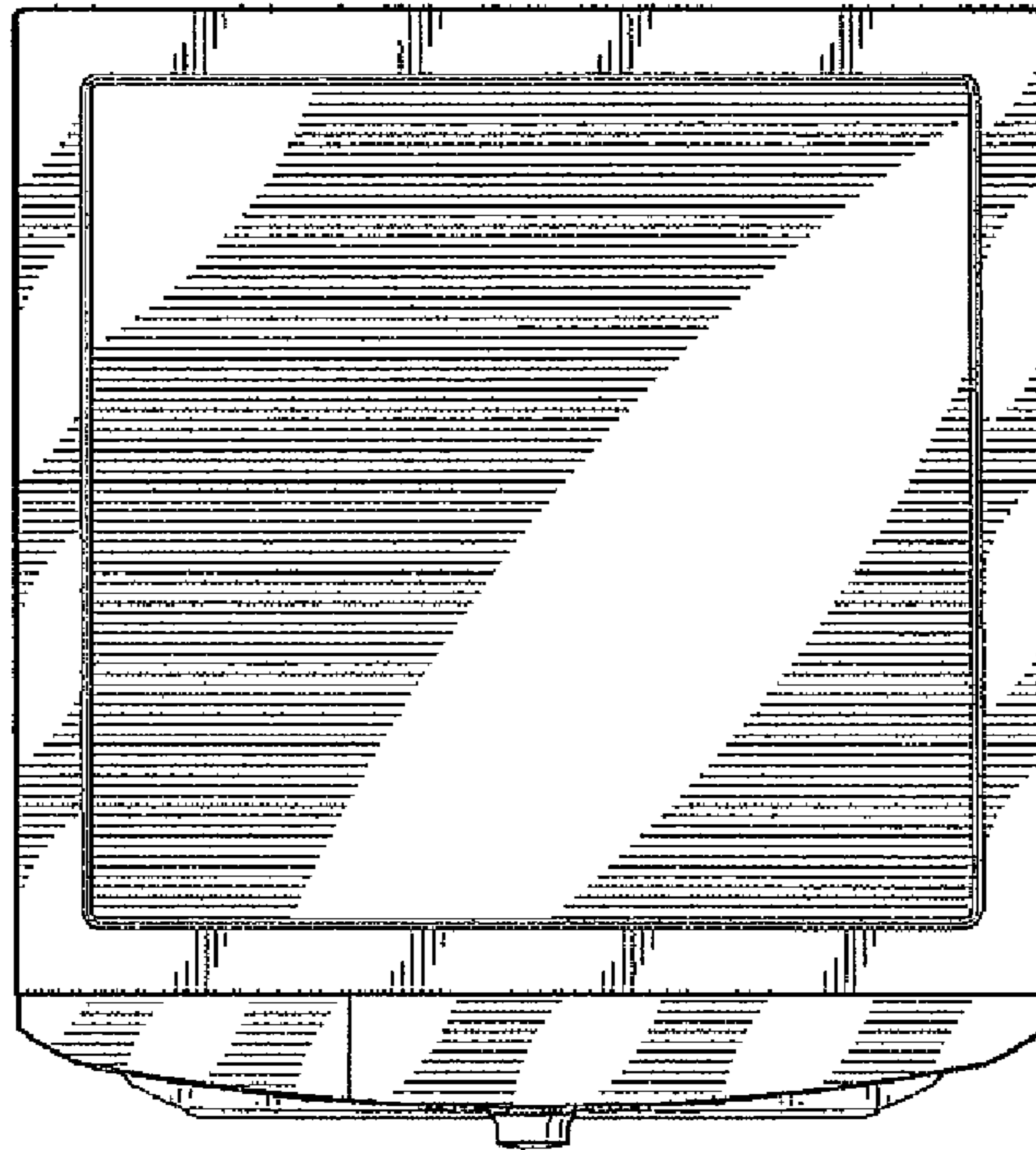


FIG. 7

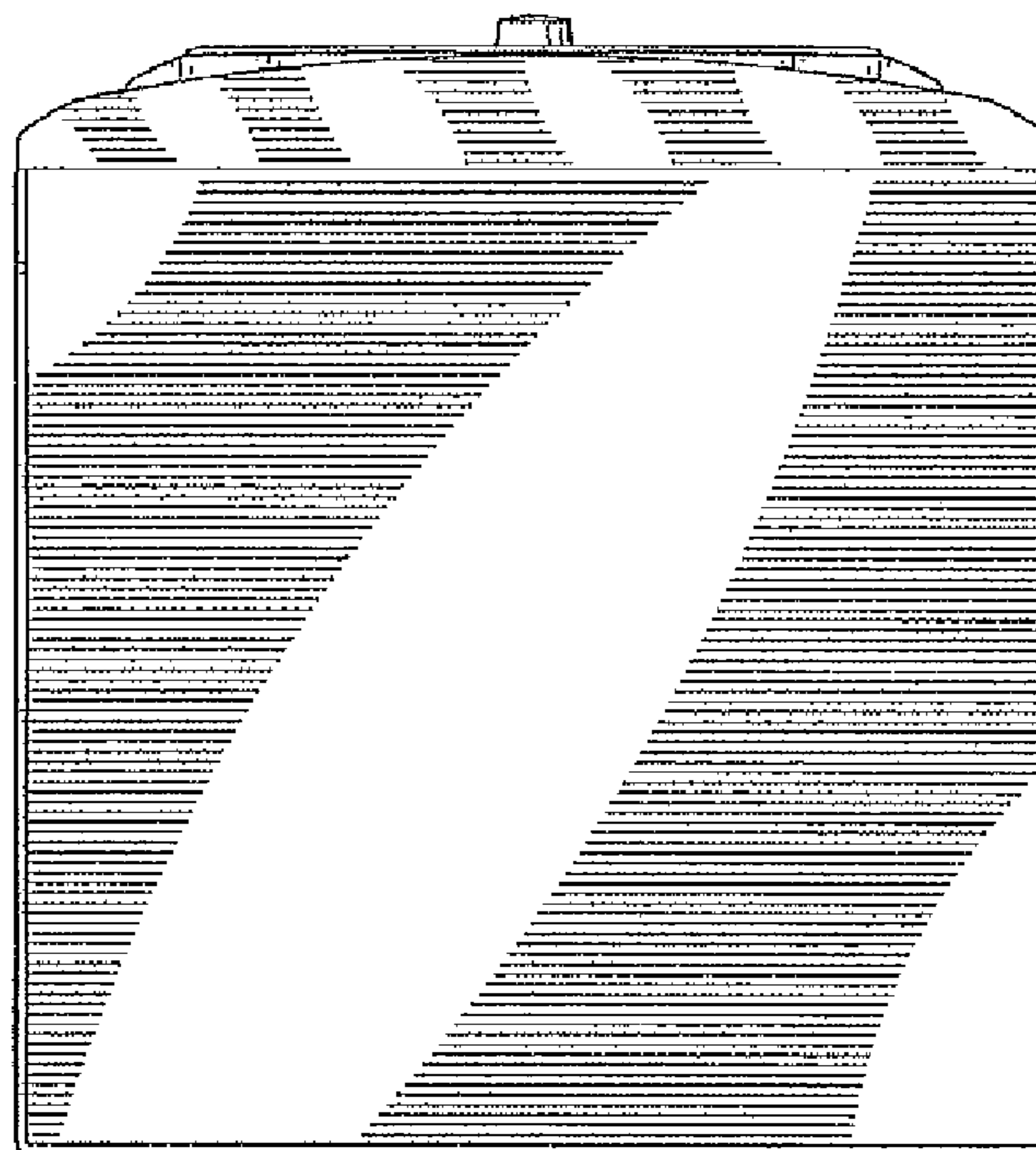


FIG. 8

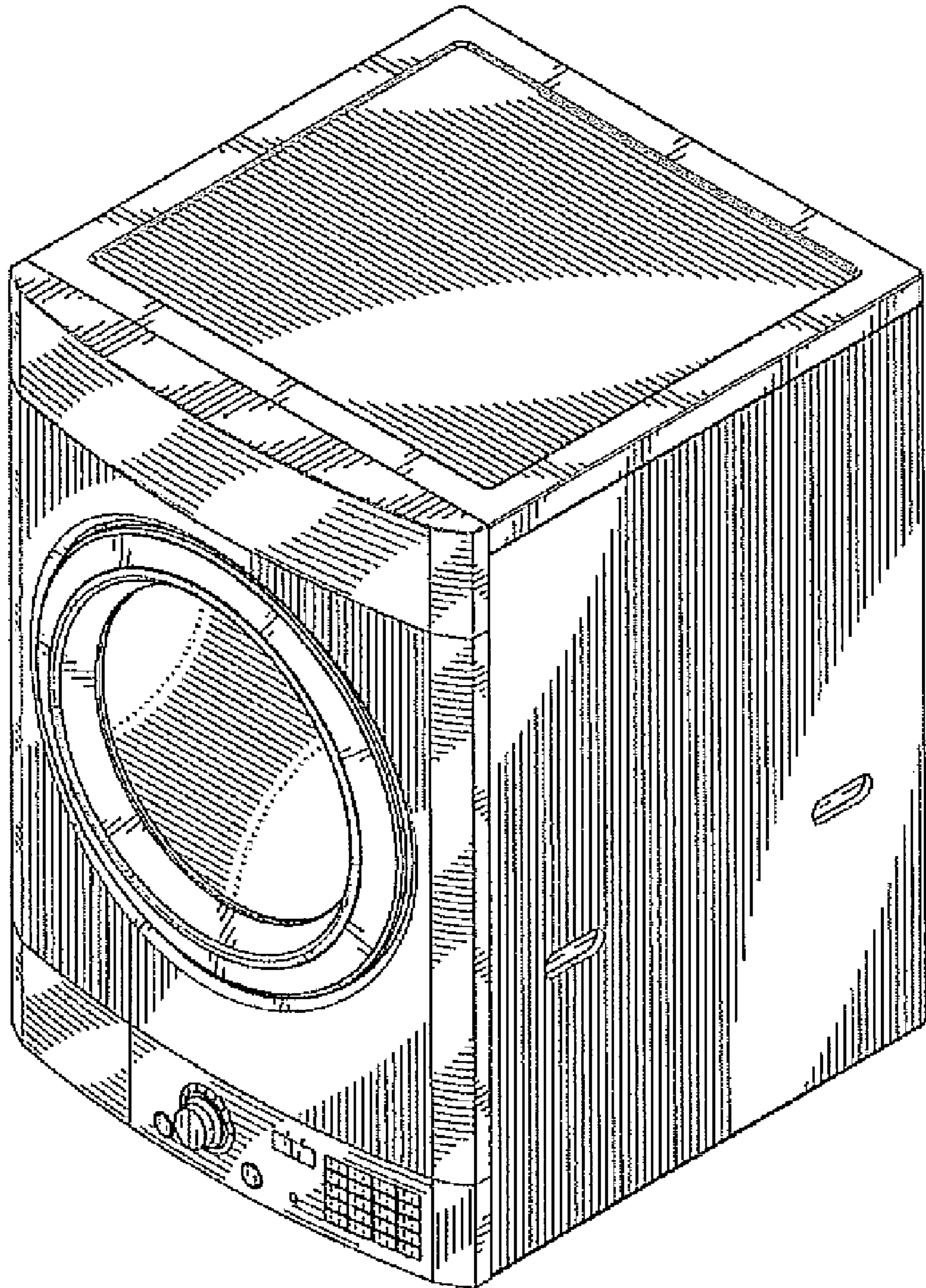




FIG. 9

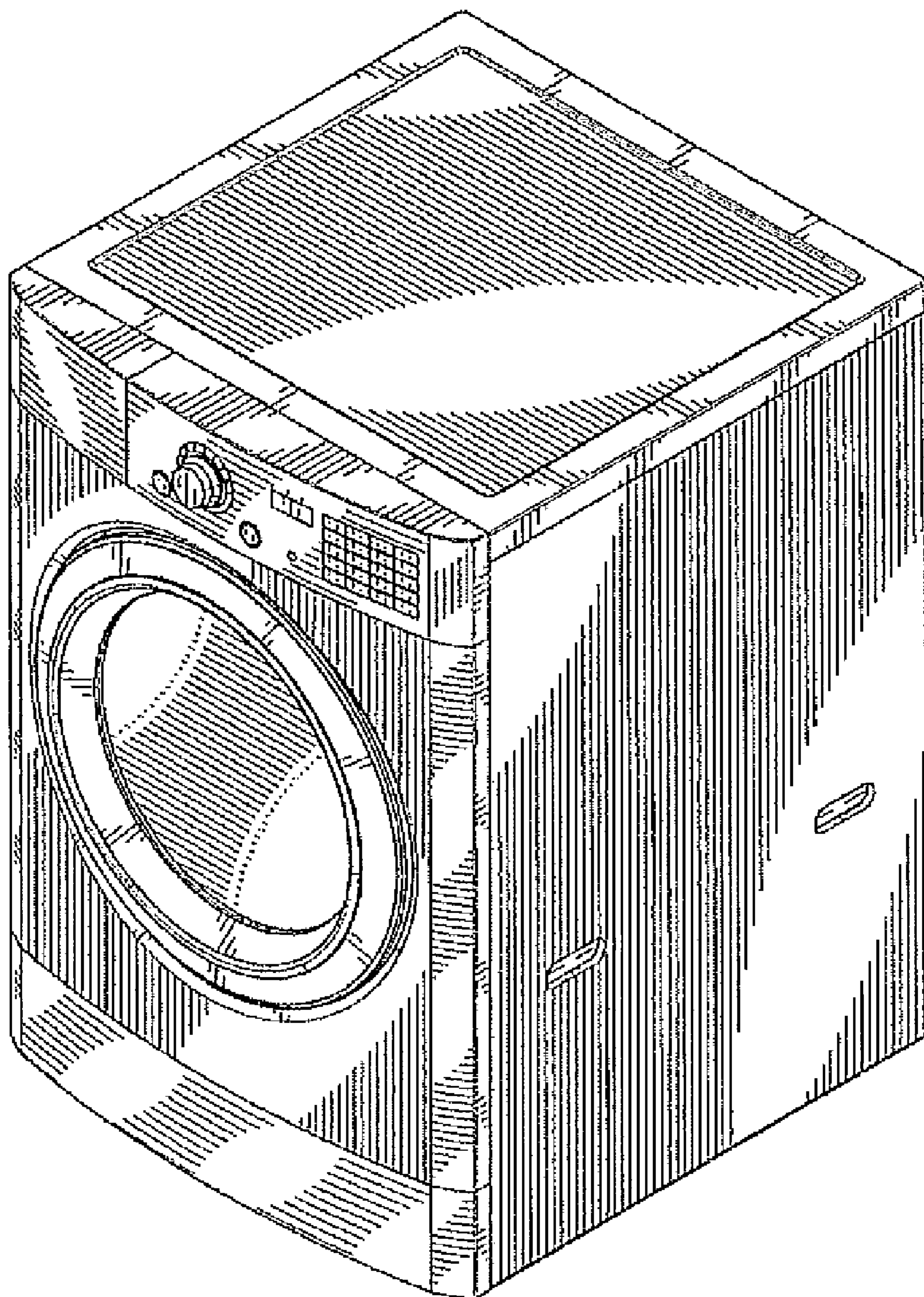


FIG. 10

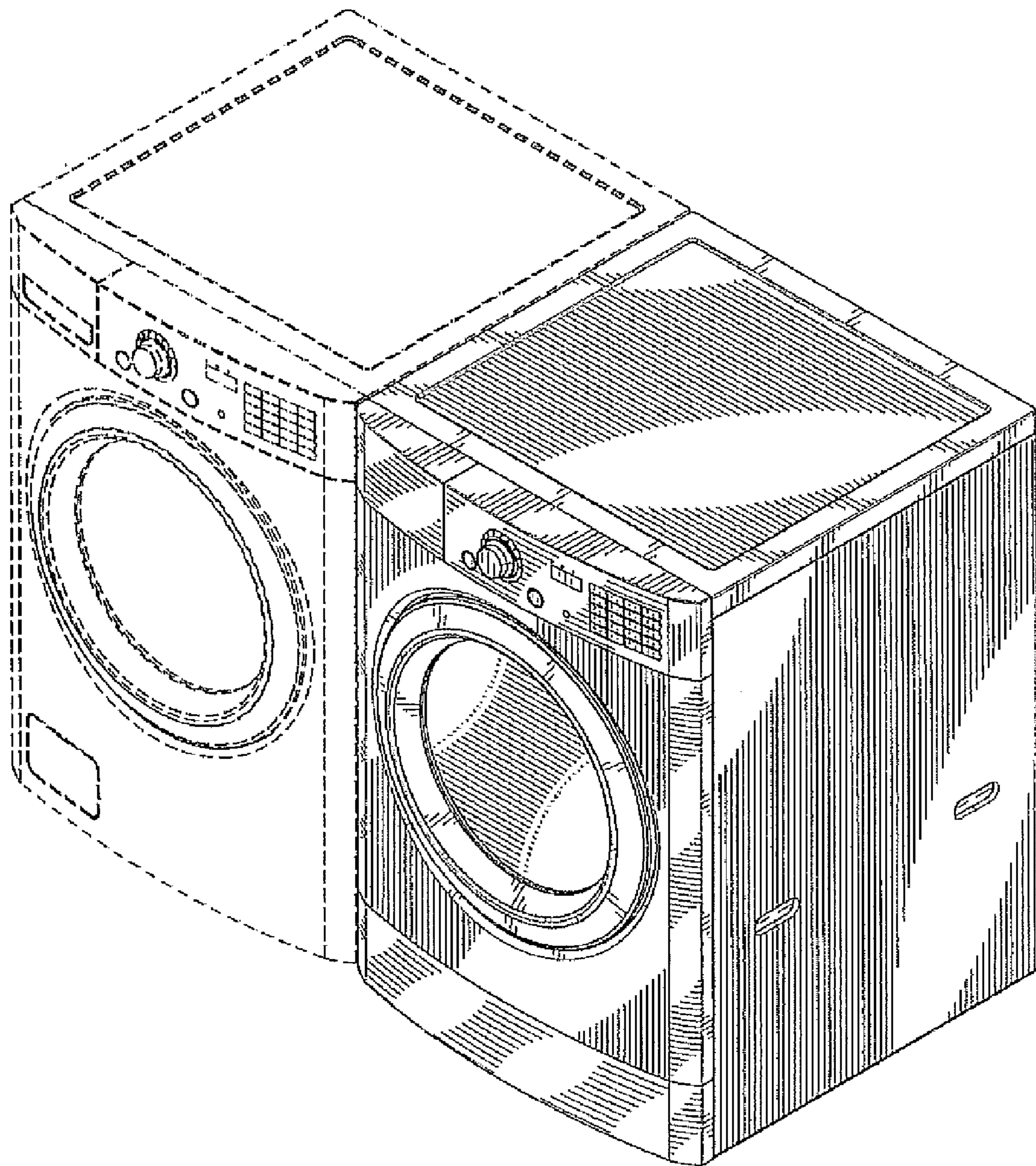


FIG. 11

