



US00D551400S

(12) **United States Design Patent**
Tsengas

(10) **Patent No.:** **US D551,400 S**

(45) **Date of Patent:** **** Sep. 18, 2007**

(54) **ELEVATED PET FEEDER HAVING ATTACHABLE EXTENSION BOWLS AND CONTAINERS**

(76) **Inventor:** **Steven Tsengas**, 1300 East St., Fairport Harbor, OH (US) 44077

(**) **Term:** **14 Years**

(21) **Appl. No.:** **29/265,232**

(22) **Filed:** **Aug. 28, 2006**

(51) **LOC (8) Cl.** **30-03**

(52) **U.S. Cl.** **D30/133**

(58) **Field of Classification Search** D30/133, D30/121, 128, 130, 132; D6/480-485; 119/52.1, 119/55, 61.5-61.56; 248/188; 312/204; 108/153.1-157

See application file for complete search history.

(56) **References Cited**

U.S. PATENT DOCUMENTS

D89,262 S *	2/1933	Nunimaker	D30/130
4,044,723 A *	8/1977	Fitzpatrick	119/61.5
D315,974 S *	4/1991	Steiner	D30/131
D340,552 S *	10/1993	Smith	D30/121
D361,874 S *	8/1995	Keller et al.	D30/129
5,730,081 A *	3/1998	Tsengas	119/51.5
D412,377 S *	7/1999	Sharon	D30/130
D414,303 S *	9/1999	Sharon	D30/130

6,209,487 B1 *	4/2001	Quinlan et al.	119/51.01
6,705,249 B2 *	3/2004	Quinlan et al.	119/51.01
6,786,177 B1 *	9/2004	Lemkin	119/51.01
2003/0029867 A1 *	2/2003	Vicknair	220/23.87
2005/0115508 A1 *	6/2005	Little	119/61.5

* cited by examiner

Primary Examiner—M. H. Tung

Assistant Examiner—Susan Moon Lee

(74) *Attorney, Agent, or Firm*—John D. Gugliotta, PE, Esq

(57) **CLAIM**

I claim the ornamental design for an elevated pet feeder having attachable extension bowls and containers, as shown and described.

DESCRIPTION

FIG. 1 is a perspective view of an elevated pet feeder having attachable extension bowls and containers, showing my new design.

FIG. 2 is a front elevational view, the opposite side being a mirror image thereof;

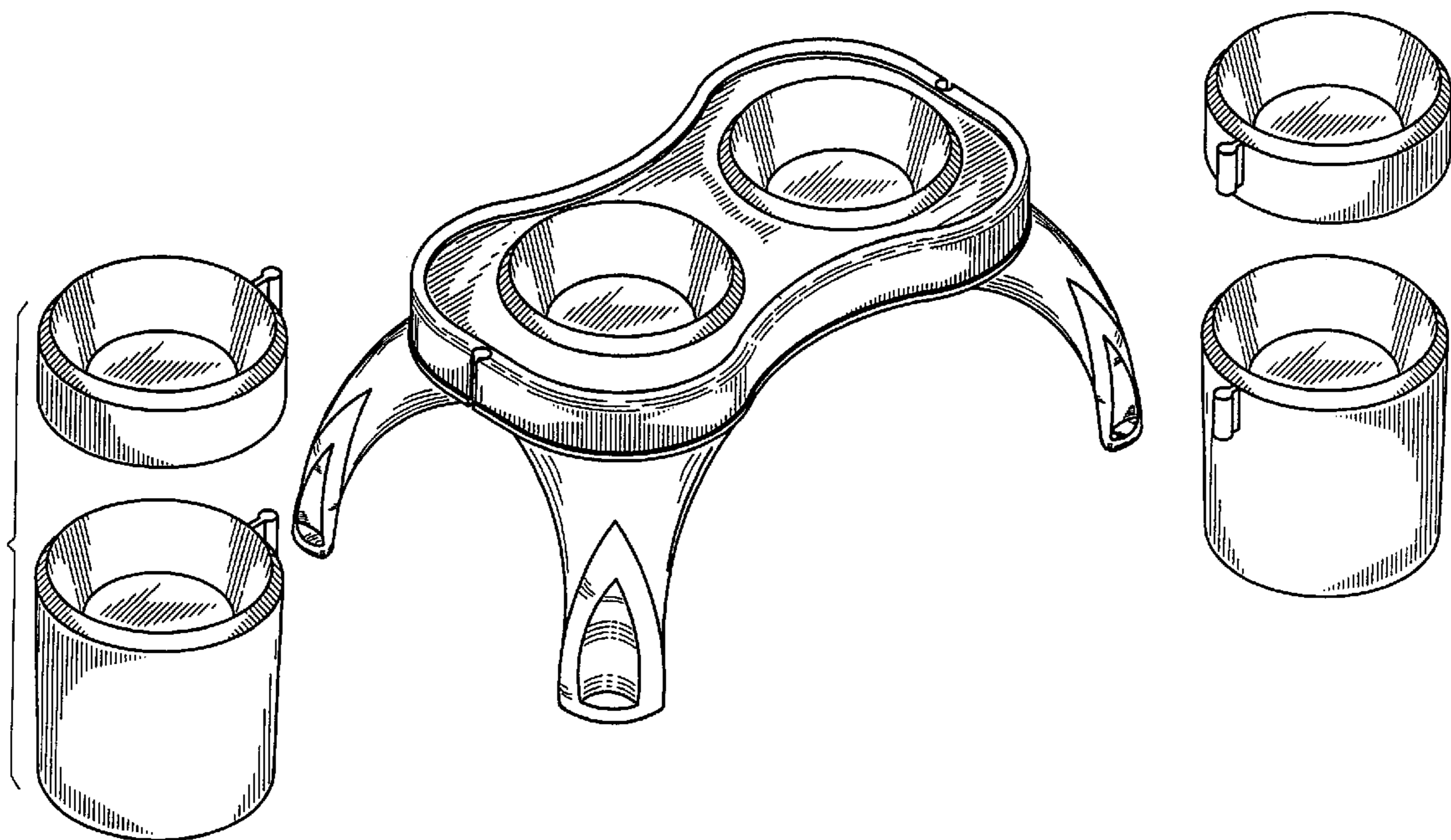
FIG. 3 is a left side elevational view thereof;

FIG. 4 is a right side elevational view thereof;

FIG. 5 is a top plan view; and,

FIG. 6 is a bottom plan view thereof.

1 Claim, 5 Drawing Sheets



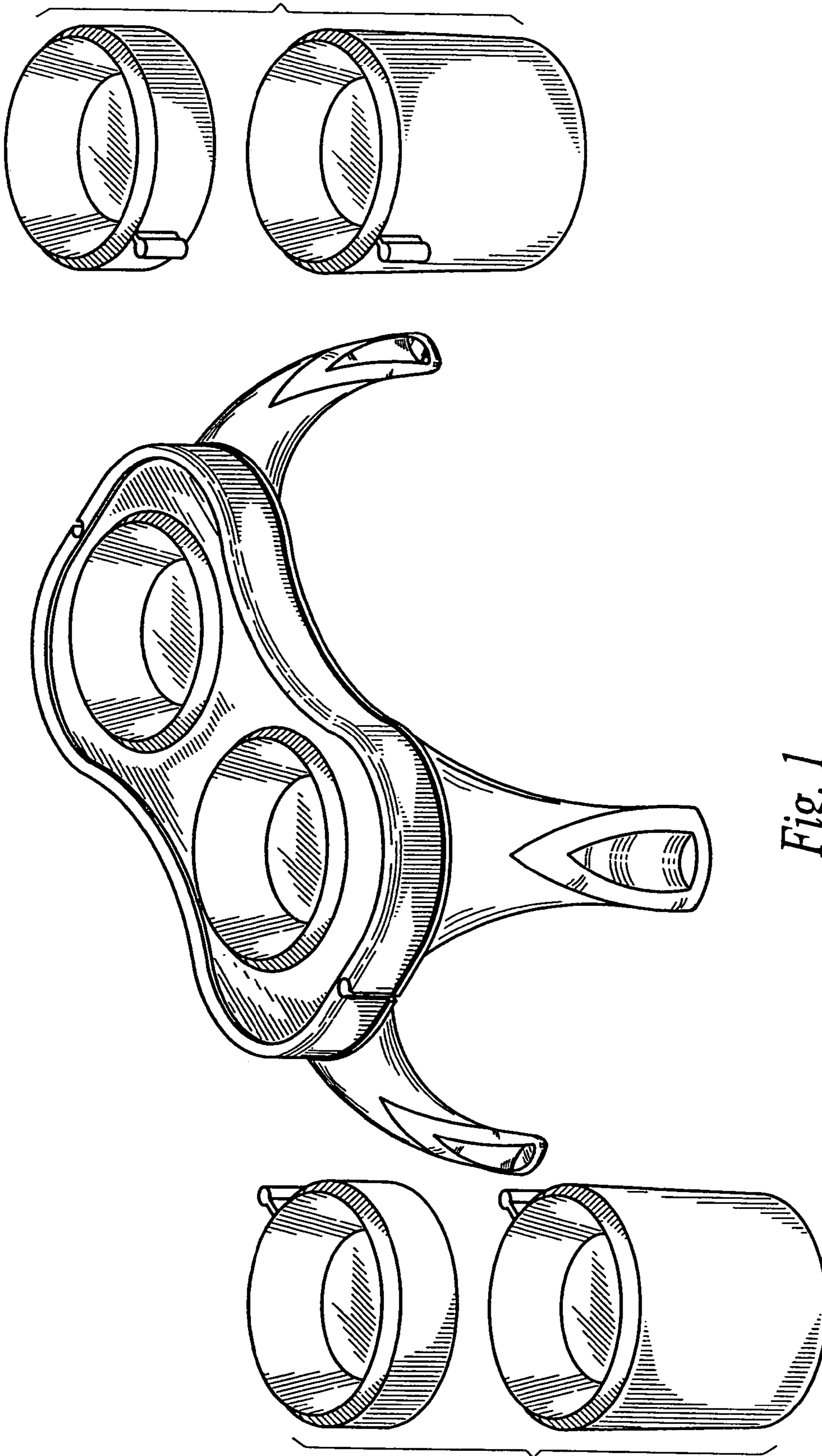


Fig. 1

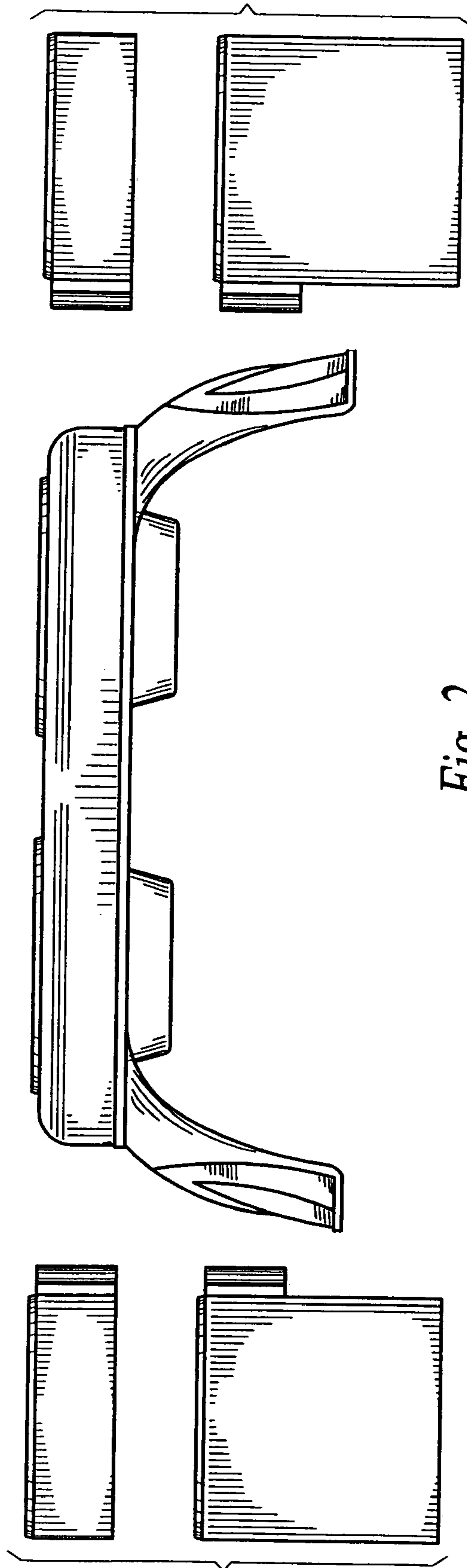


Fig. 2

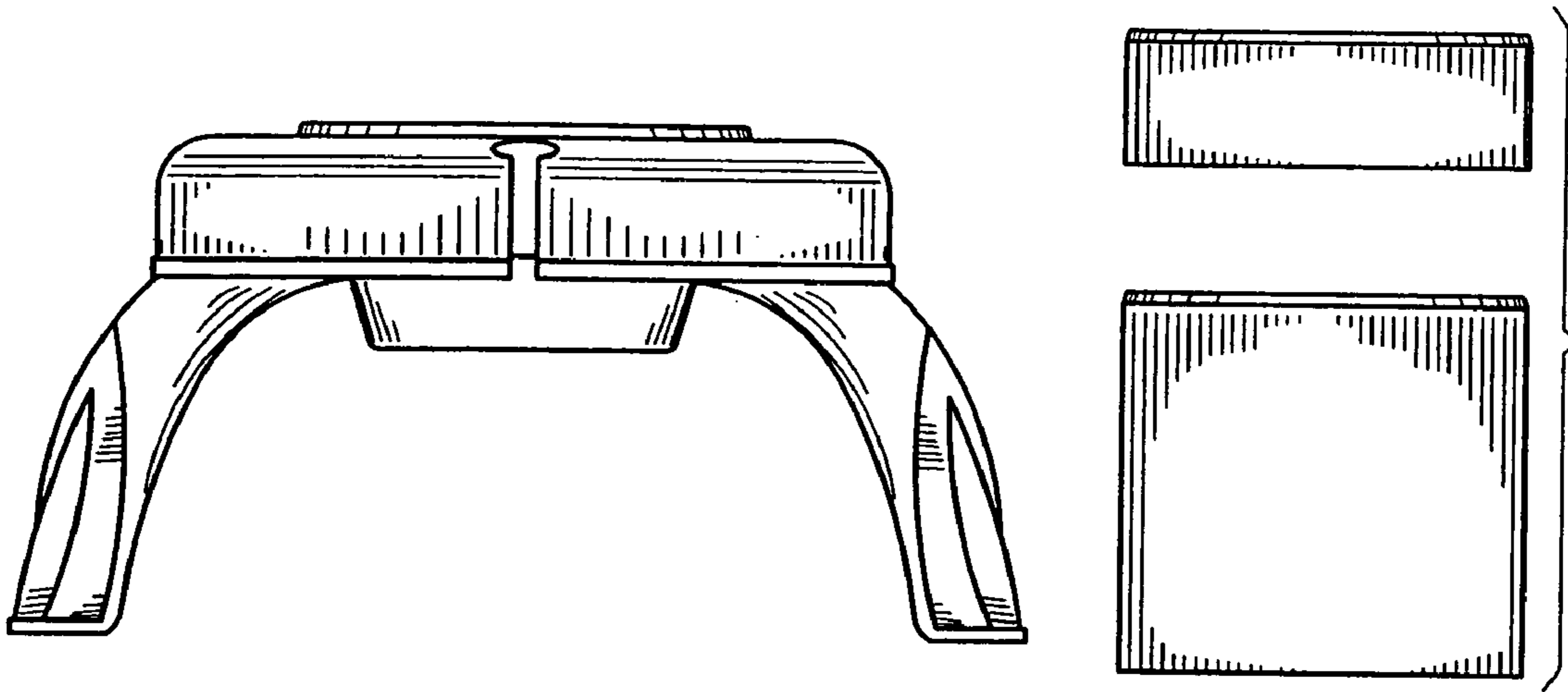


Fig. 3

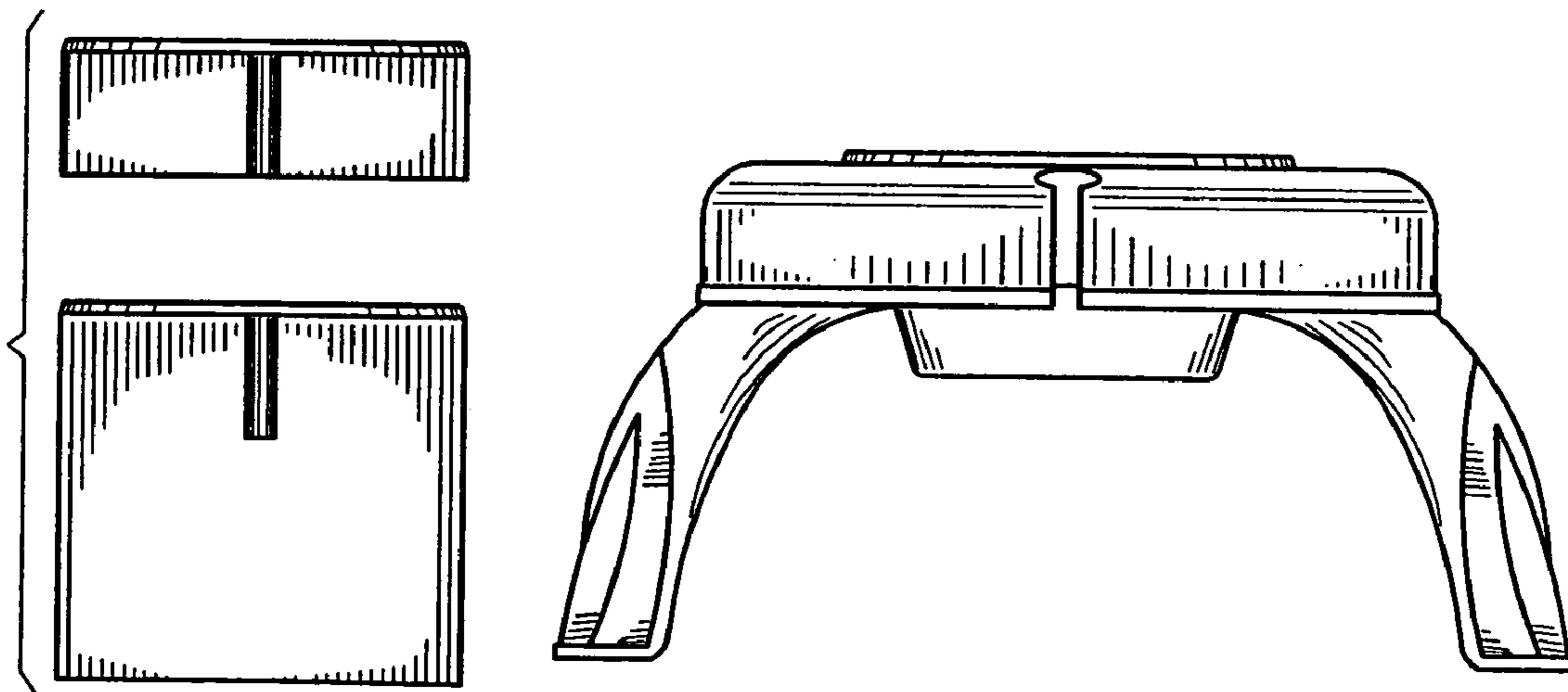


Fig. 4

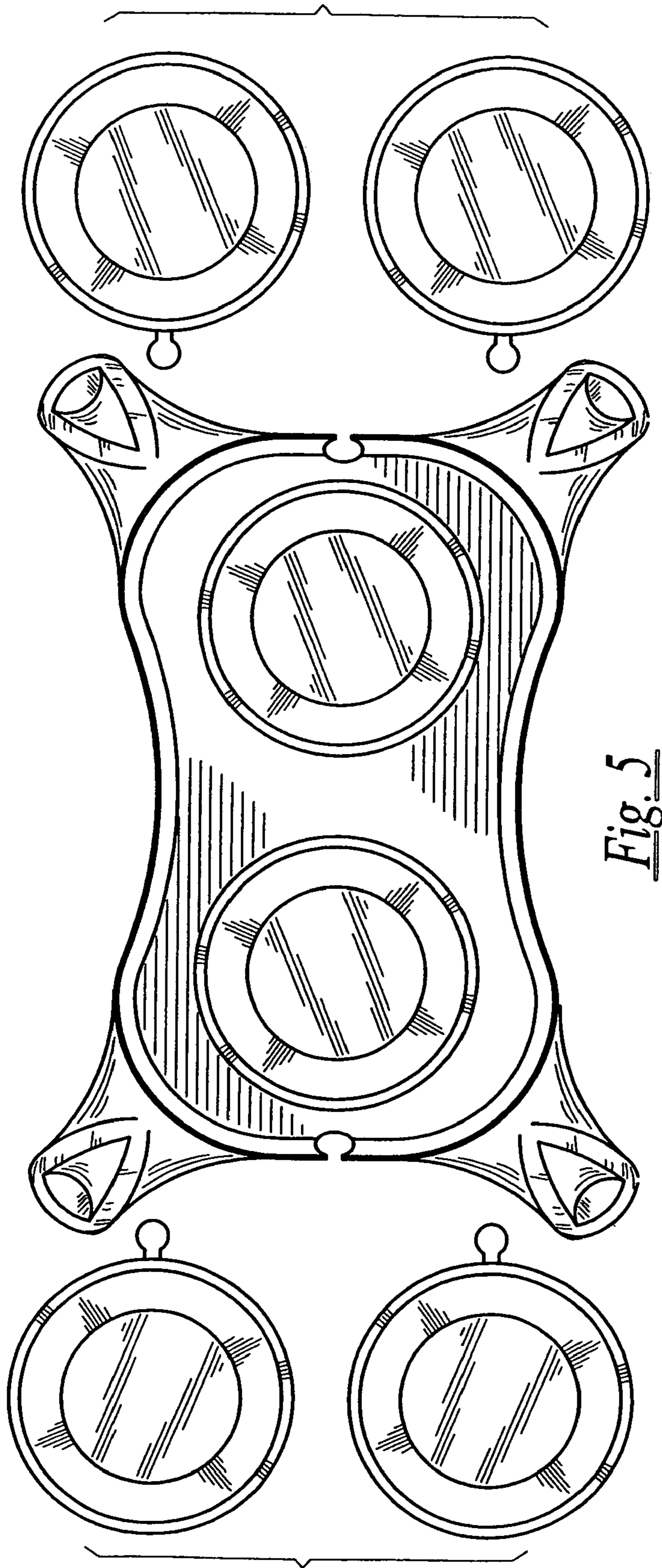


Fig. 5

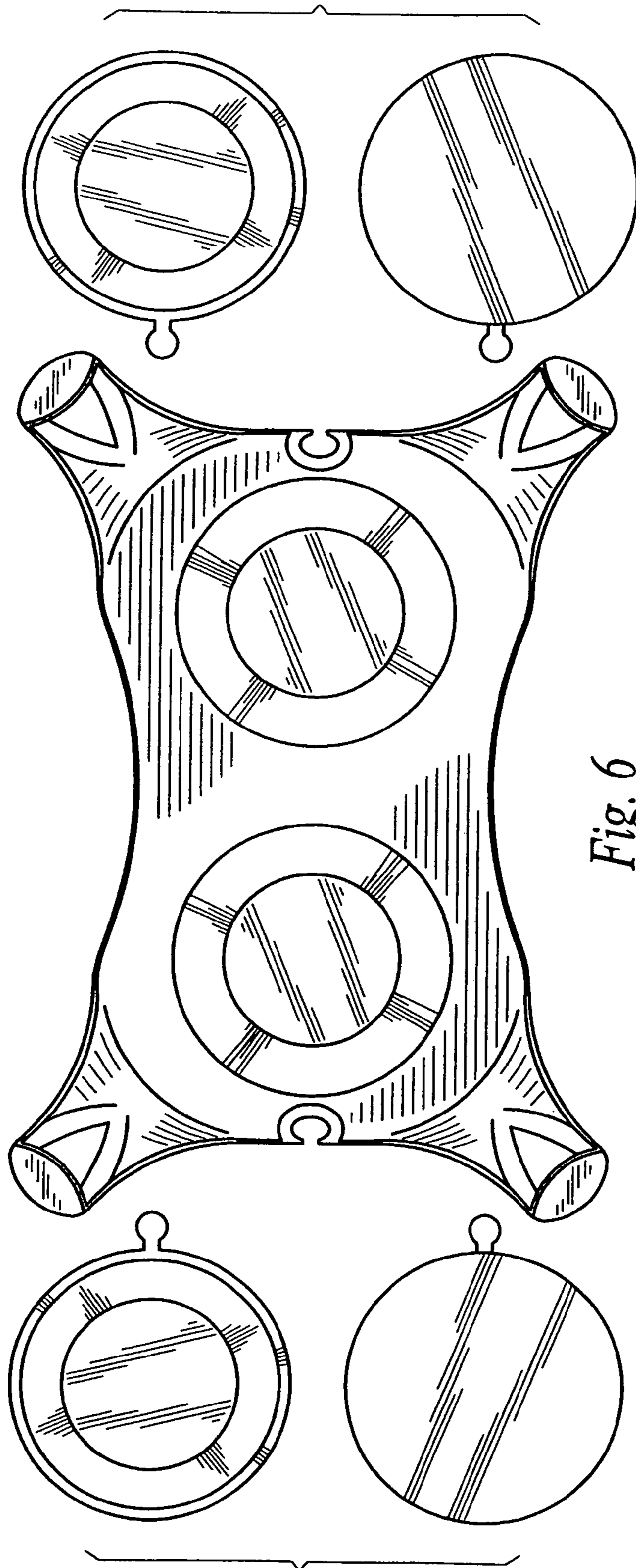


Fig. 6