



US00D551393S

(12) **United States Design Patent**
Purnell

(10) **Patent No.:** **US D551,393 S**

(45) **Date of Patent:** **** Sep. 18, 2007**

(54) **WRESTLER HEADGEAR**

(76) Inventor: **John Purnell**, 2908 Chiselford Dr.,
Sinking Spring, PA (US) 19608

(**) Term: **14 Years**

(21) Appl. No.: **29/254,790**

(22) Filed: **Mar. 1, 2006**

(51) **LOC (8) Cl.** **29-02**

(52) **U.S. Cl.** **D29/112**

(58) **Field of Classification Search** D29/102–108,
D29/112, 122; D24/189, 191; 2/455, 410–411,
2/414, 421, 423–425, 9, 206, 209, 909; 128/889,
128/857, 864, 866–867

See application file for complete search history.

(56) **References Cited**

U.S. PATENT DOCUMENTS

3,327,316	A *	6/1967	Pukish, Jr.	2/421
D384,774	S *	10/1997	Tsujino	D29/106
5,685,021	A *	11/1997	Tsujino	2/425
D443,729	S *	6/2001	Tsujino	D29/112
D444,270	S *	6/2001	Tsujino	D29/112
6,418,565	B1 *	7/2002	Tsujino	2/425
D469,928	S *	2/2003	Keen et al.	D29/112

6,782,558	B1 *	8/2004	Keen et al.	2/425
D500,894	S *	1/2005	Coutant et al.	D29/106
2006/0143806	A1 *	7/2006	Purnell	2/425

* cited by examiner

Primary Examiner—Ruth McInroy

(74) *Attorney, Agent, or Firm*—Sherman & Associates

(57) **CLAIM**

The ornamental design for a wrestler headgear, as shown and described.

DESCRIPTION

FIG. 1 is a front oblique view of the wrestler headgear showing my new design.

FIG. 2 is a front elevational view.

FIG. 3 is a right side elevational view of the wrestler headgear showing the right side ear cup, the left side ear cup being a mirror image.

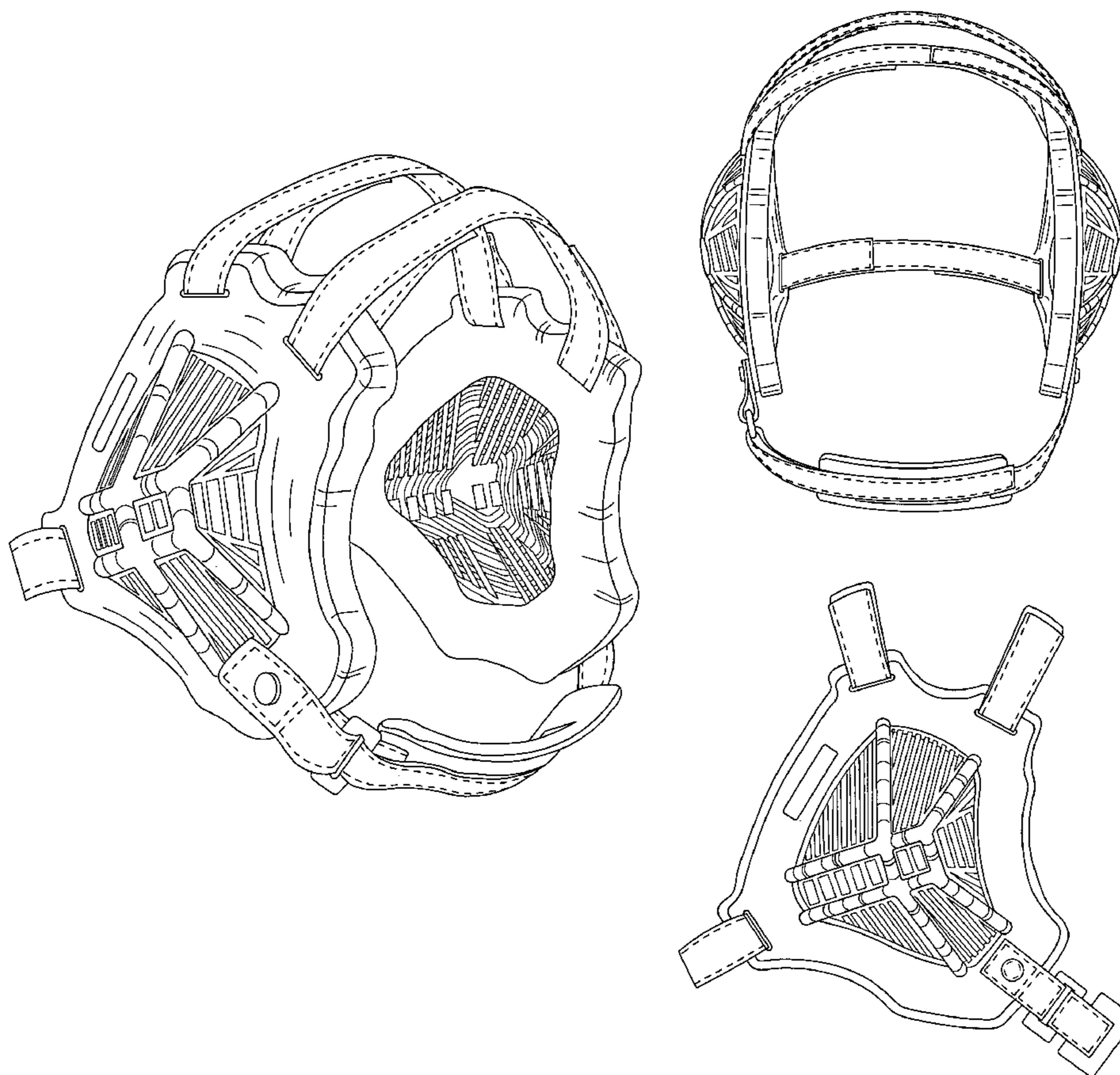
FIG. 4 is a top plan view.

FIG. 5 is a bottom plan view; and,

FIG. 6 is a rear elevational view.

The broken lines represent conventional stitching.

1 Claim, 4 Drawing Sheets



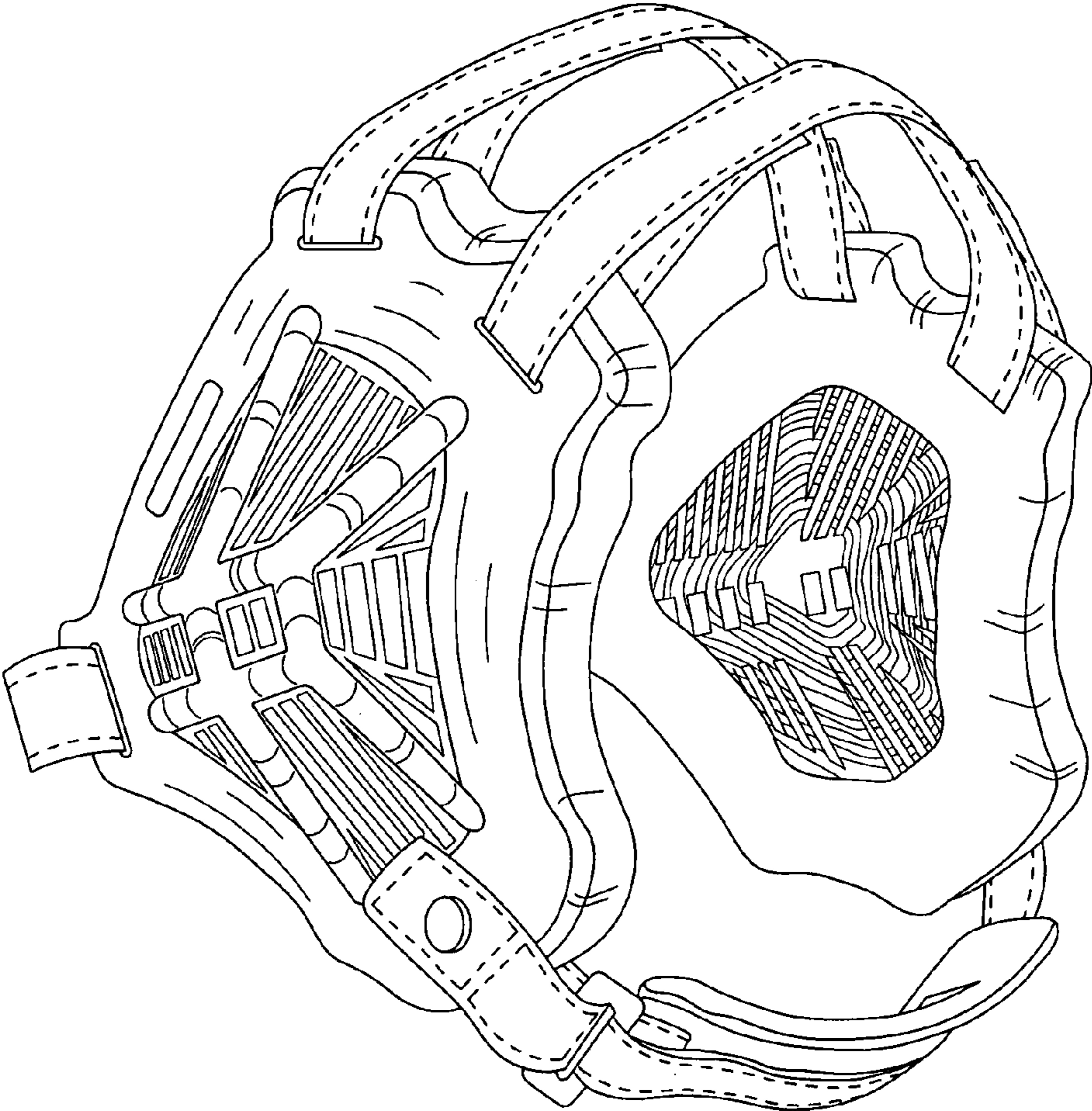


FIG. 1

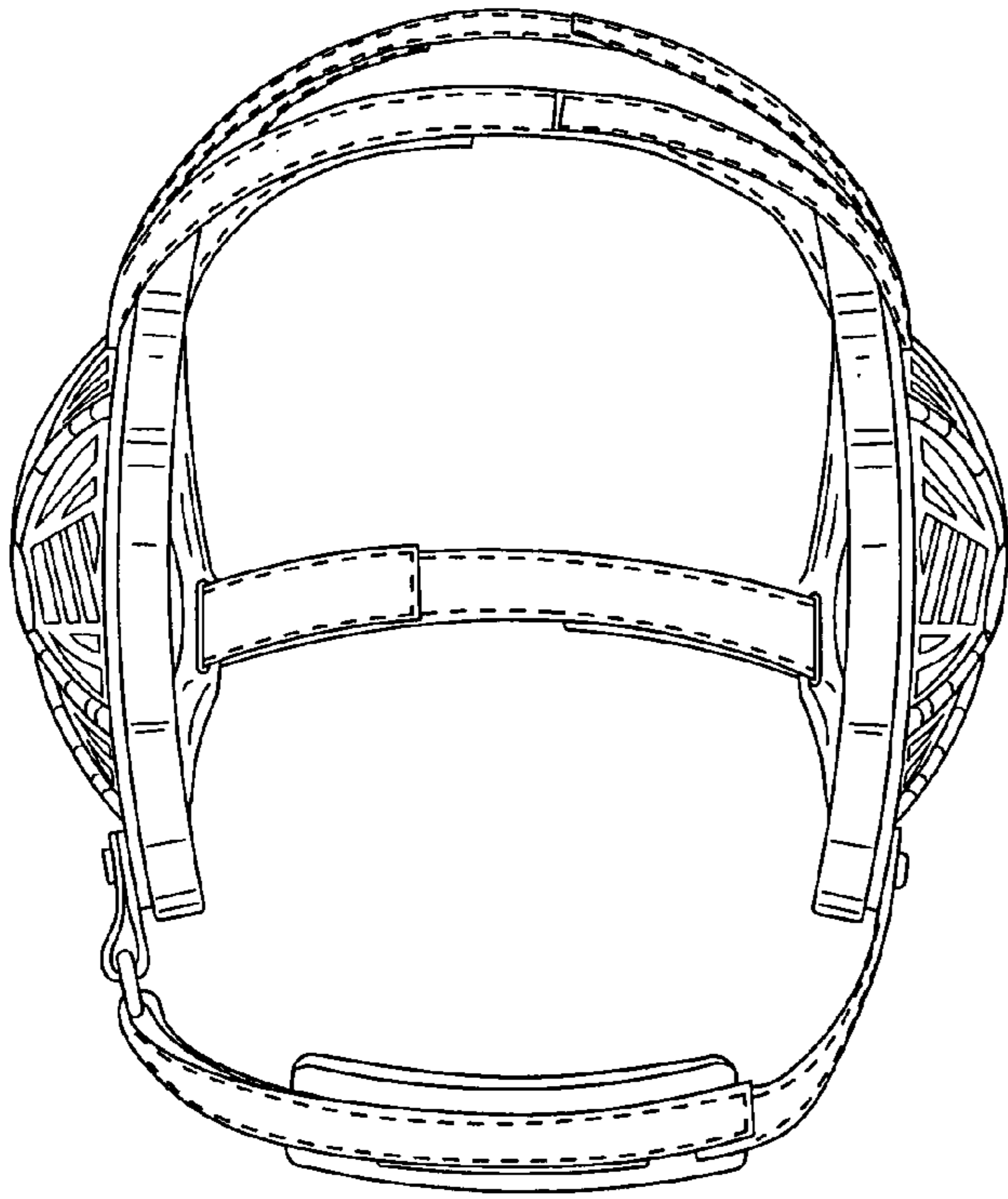


FIG. 2

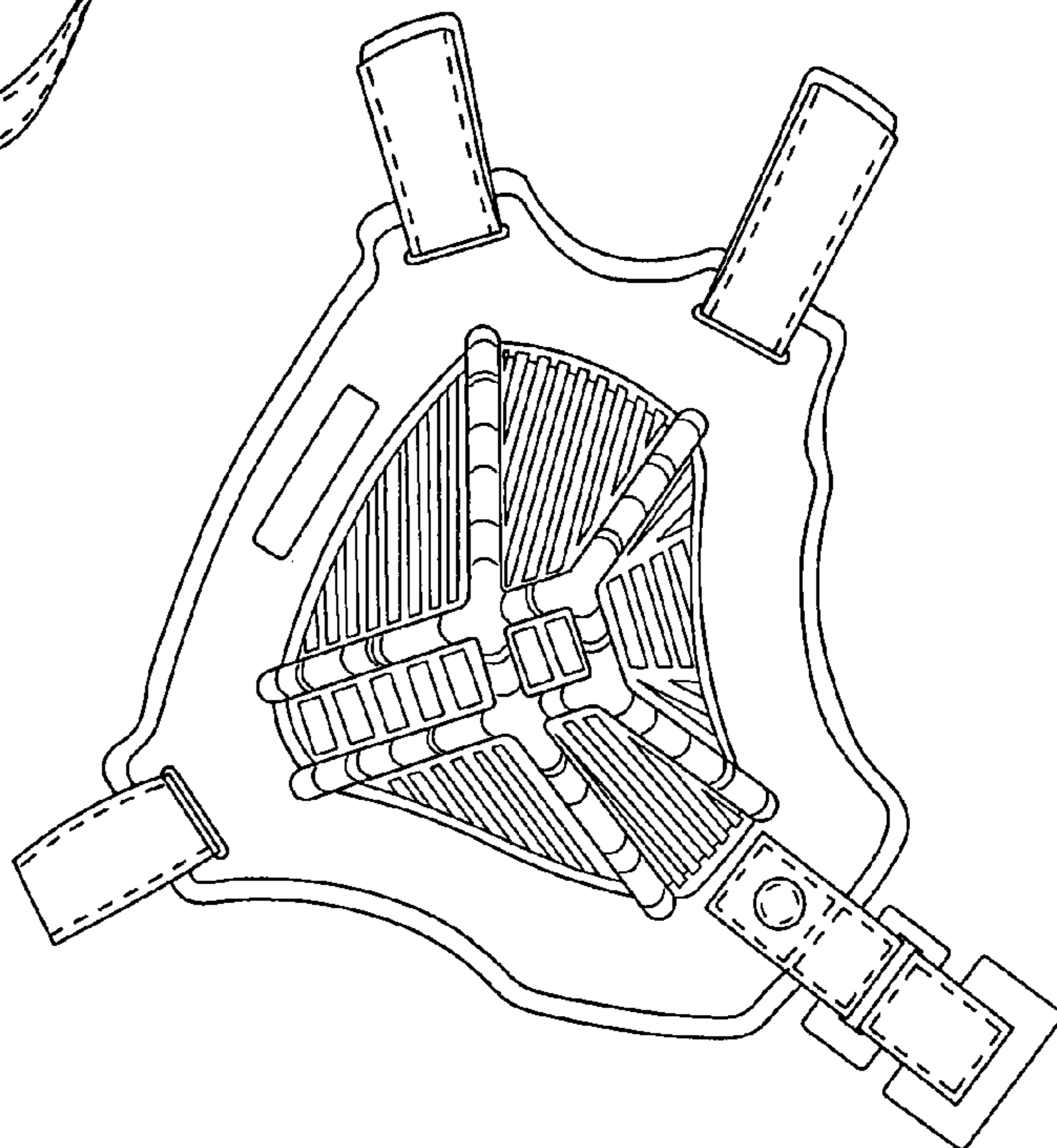


FIG. 3

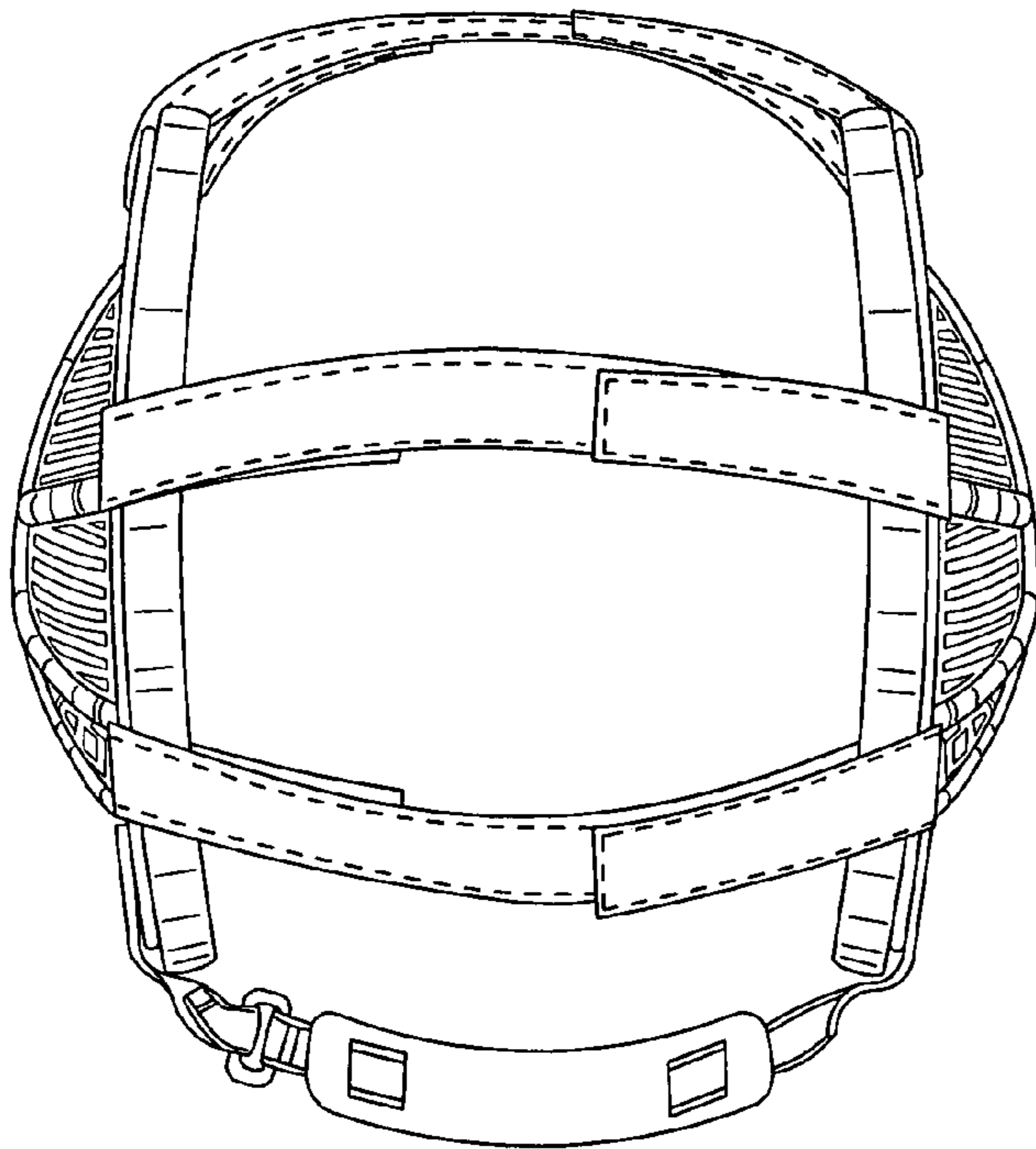


FIG. 4

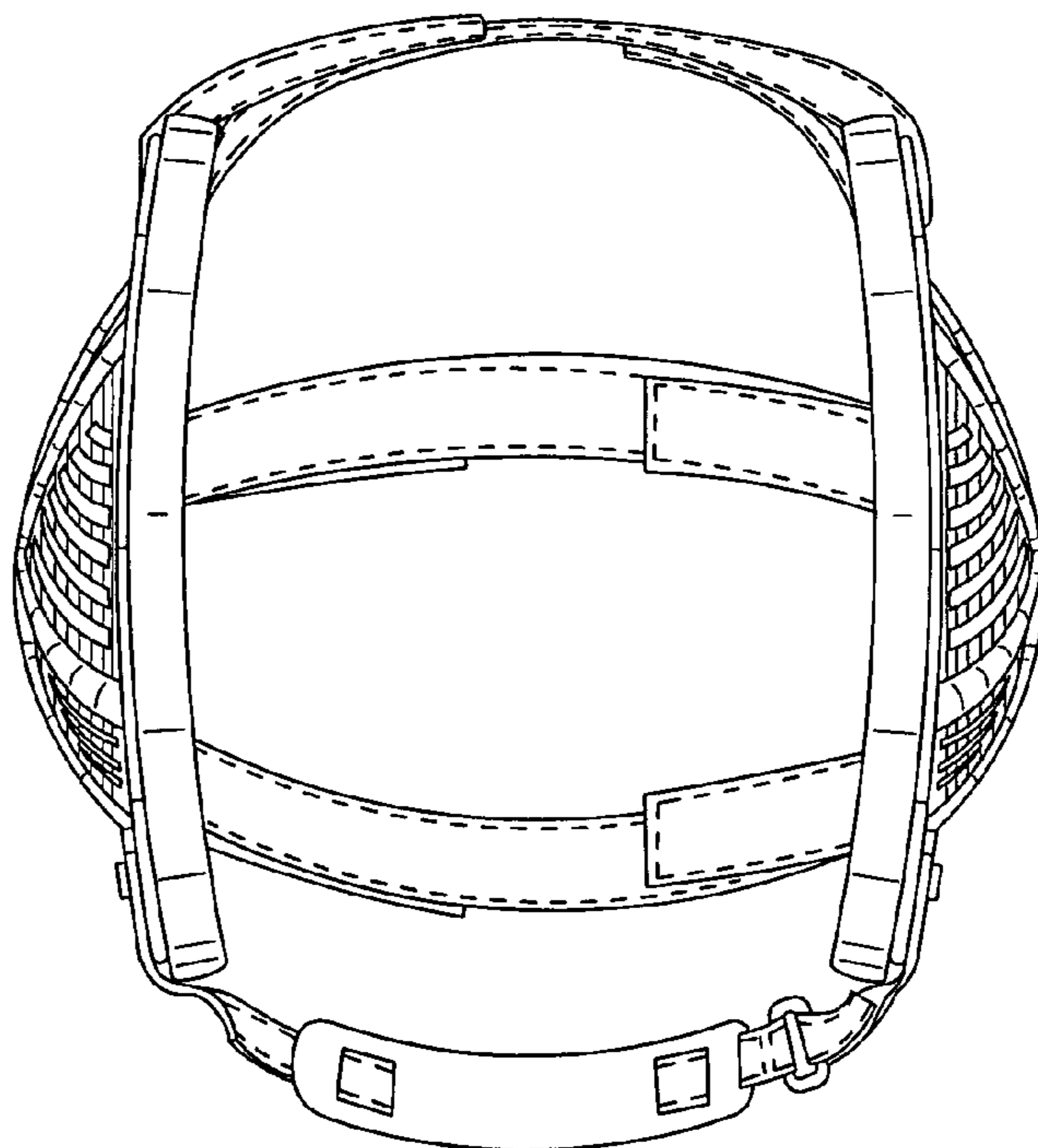


FIG. 5

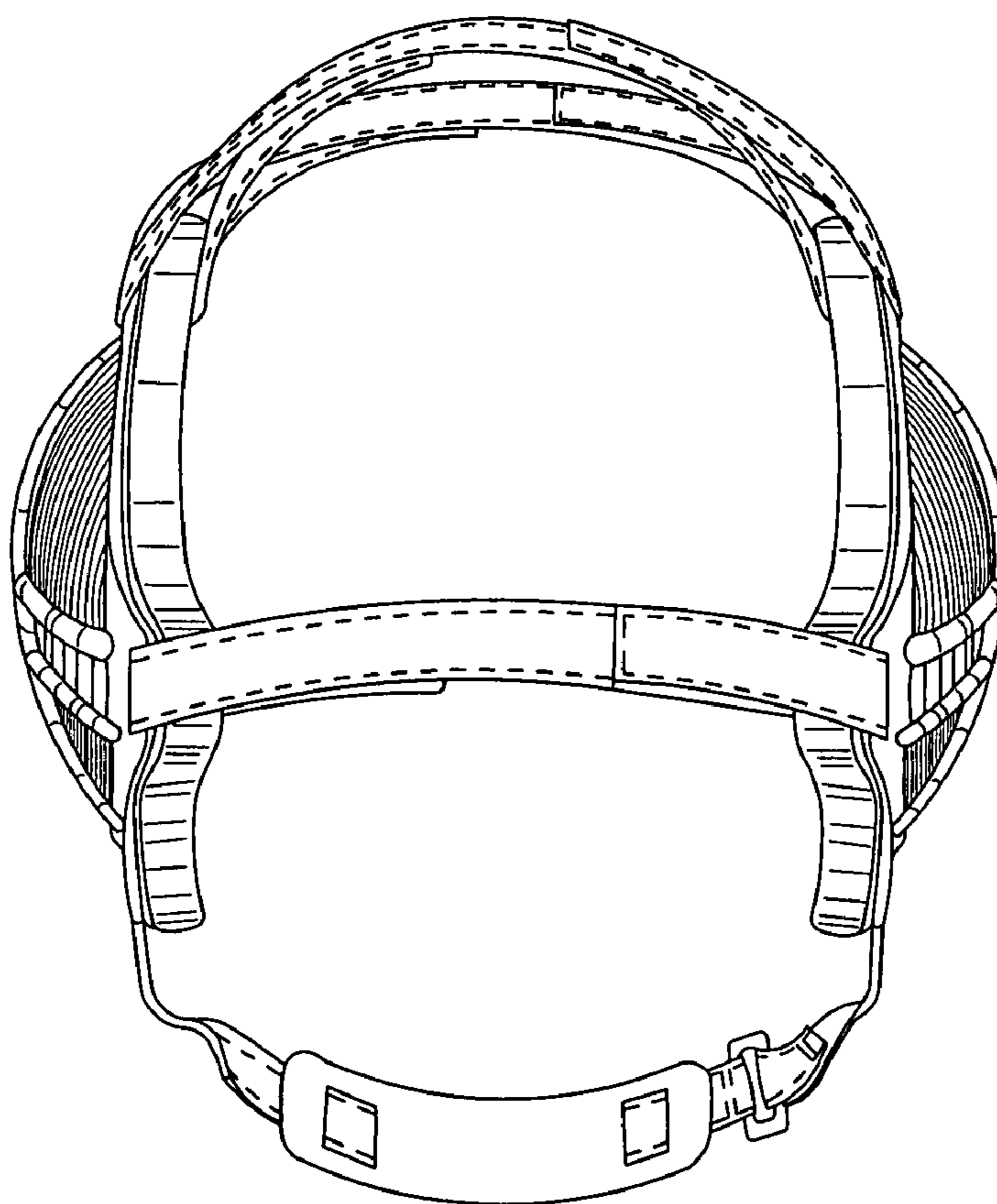


FIG. 6