



US00D551390S

(12) **United States Design Patent**
Hwang

(10) **Patent No.:** **US D551,390 S**

(45) **Date of Patent:** **** Sep. 18, 2007**

(54) **NAIL CLIPPER**

(75) Inventor: **Jae Kwang Hwang**, Seoul (KR)

(73) Assignee: **F.S. Korea Industries, Inc.**, Seoul (KR)

(**) Term: **14 Years**

(21) Appl. No.: **29/264,348**

(22) Filed: **Aug. 9, 2006**

(51) **LOC (8) Cl.** **28-03**

(52) **U.S. Cl.** **D28/60**

(58) **Field of Classification Search** 132/73,
132/73.5, 75, 75.4-75.6, 76.2; 30/26-29;
D28/60

See application file for complete search history.

(56) **References Cited**

U.S. PATENT DOCUMENTS

D516,250 S * 2/2006 Merheje D28/60

D522,177 S * 5/2006 Legras de Grandcourt .. D28/60

* cited by examiner

Primary Examiner—Jennifer Rivard

(74) *Attorney, Agent, or Firm*—Buchanan Ingersoll & Rooney P.C.

(57) **CLAIM**

The ornamental design for a nail clipper, as shown and described.

DESCRIPTION

FIG. 1 is a perspective view of a nail clipper showing my new design.

FIG. 2 is a front elevational view thereof.

FIG. 3 is a rear elevational view thereof.

FIG. 4 is a left side elevational view thereof.

FIG. 5 is a right side elevational view thereof.

FIG. 6 is a top plan view thereof; and,

FIG. 7 is a bottom plan view thereof.

1 Claim, 7 Drawing Sheets

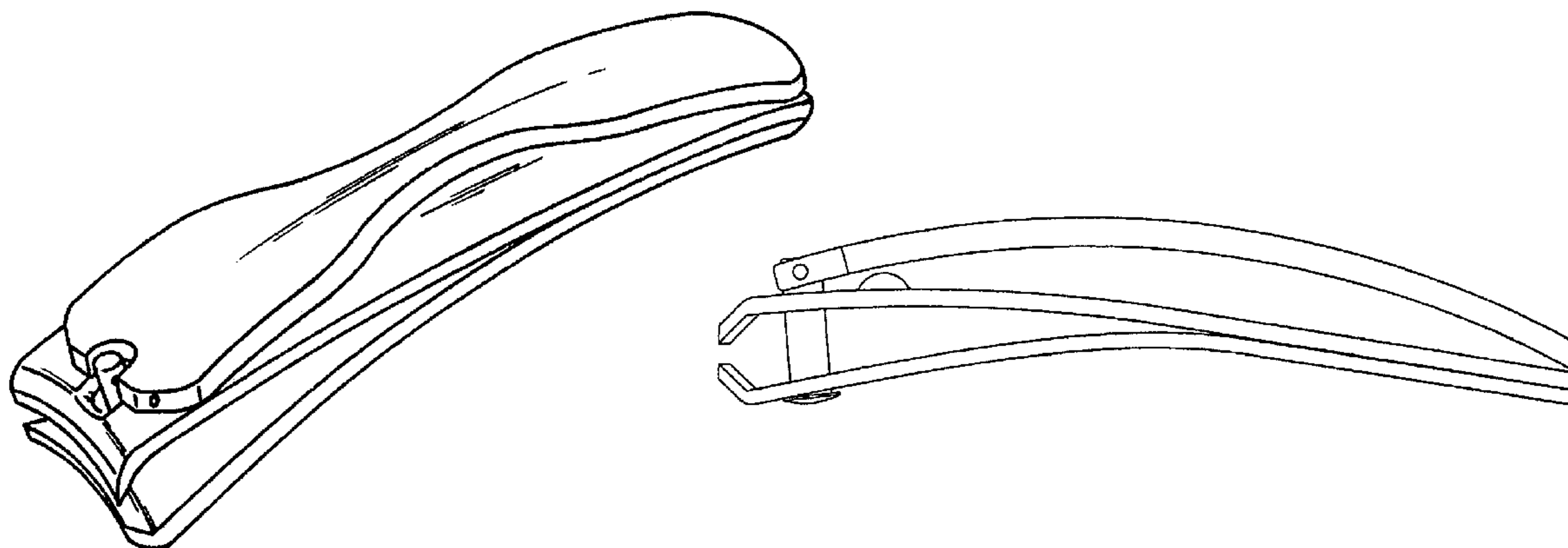


FIG. 1

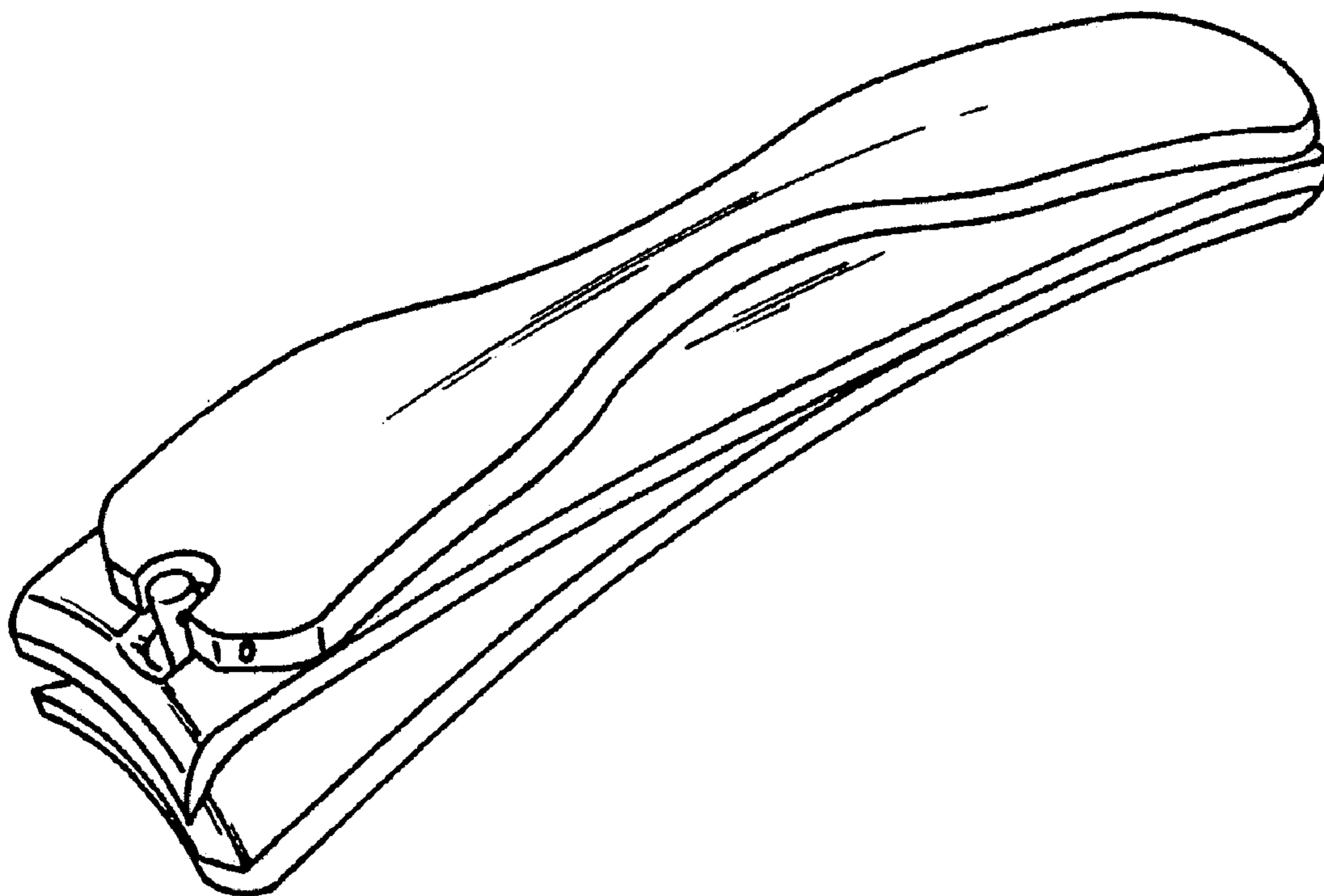


FIG. 2

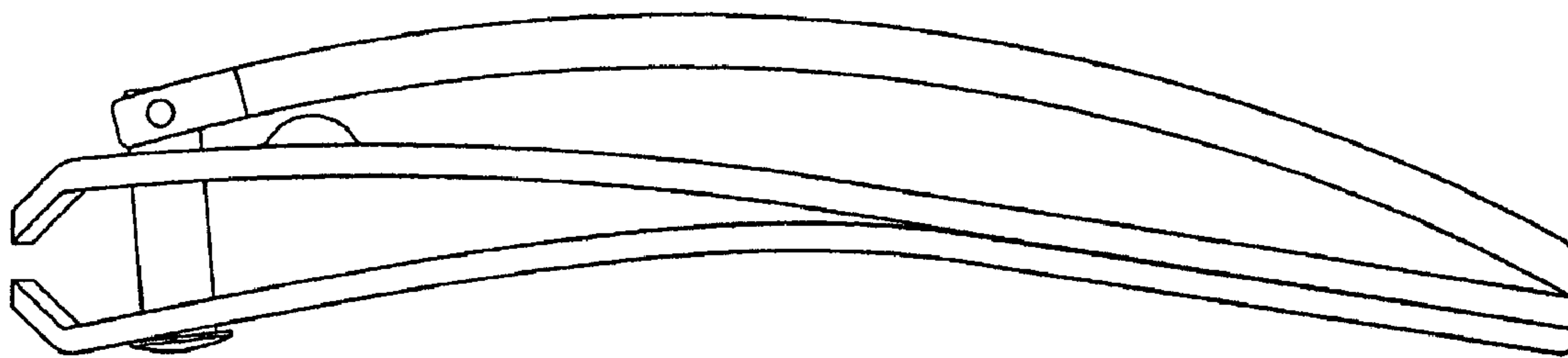


FIG. 3



FIG. 4

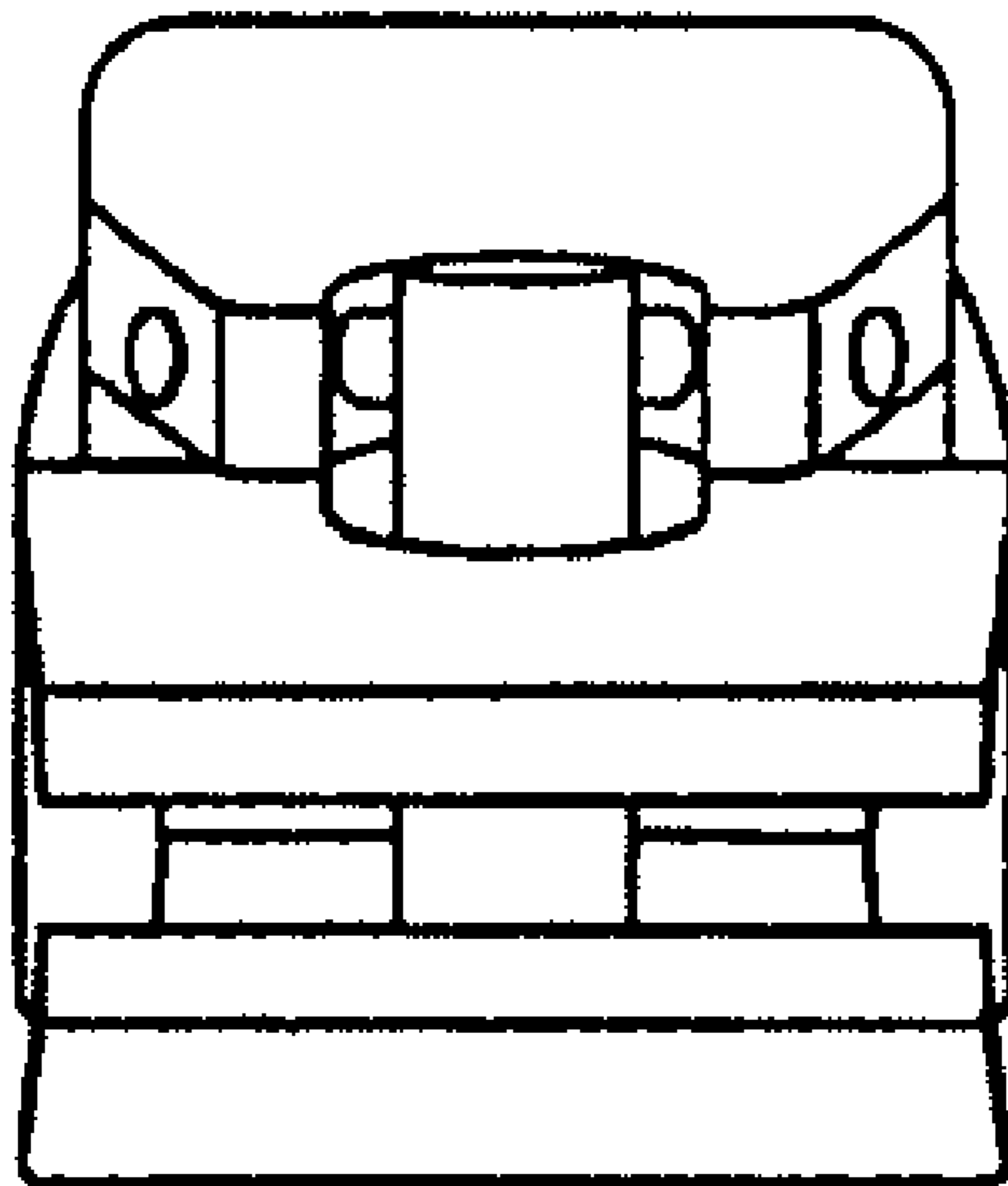


FIG. 5

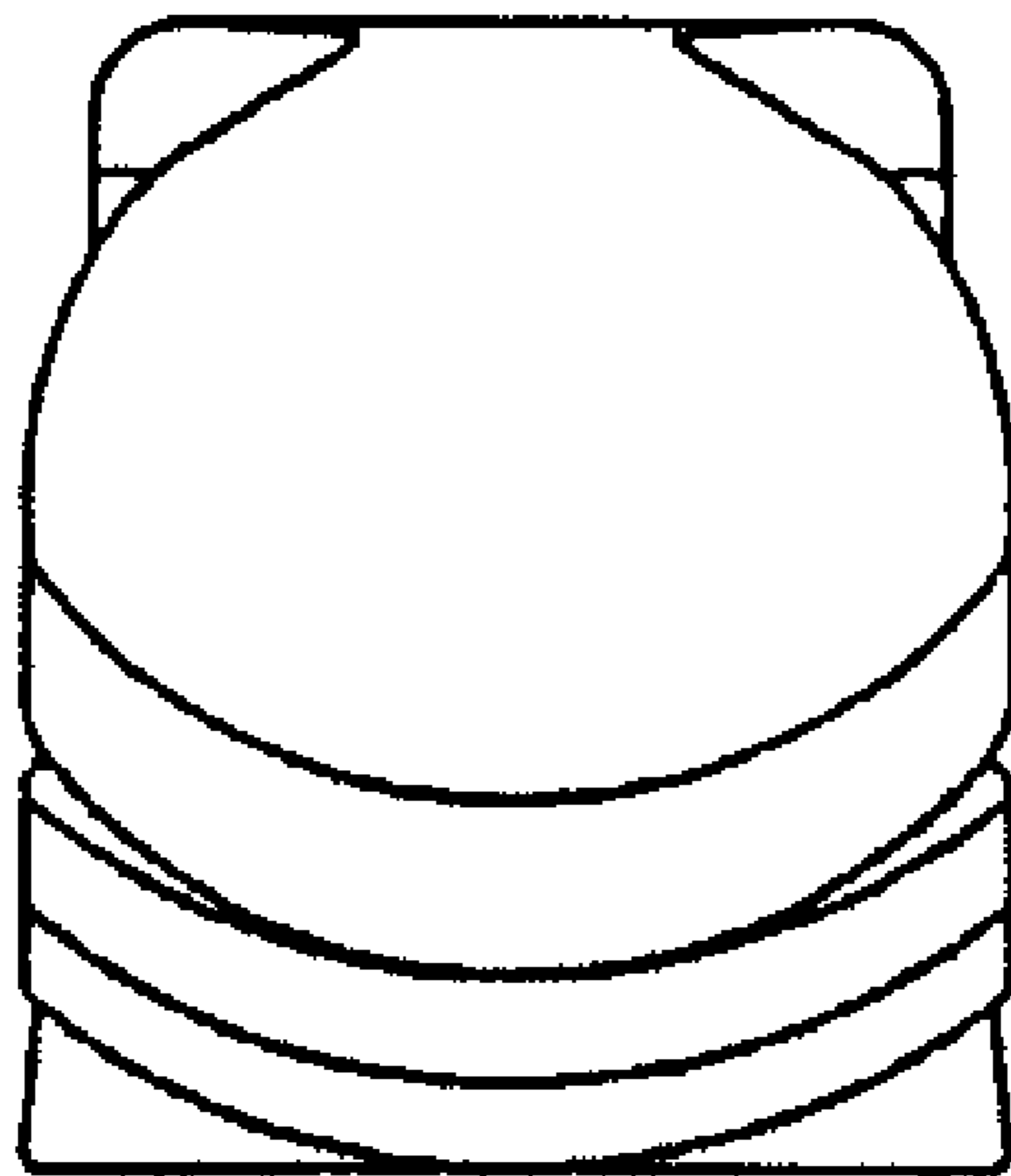


FIG. 6

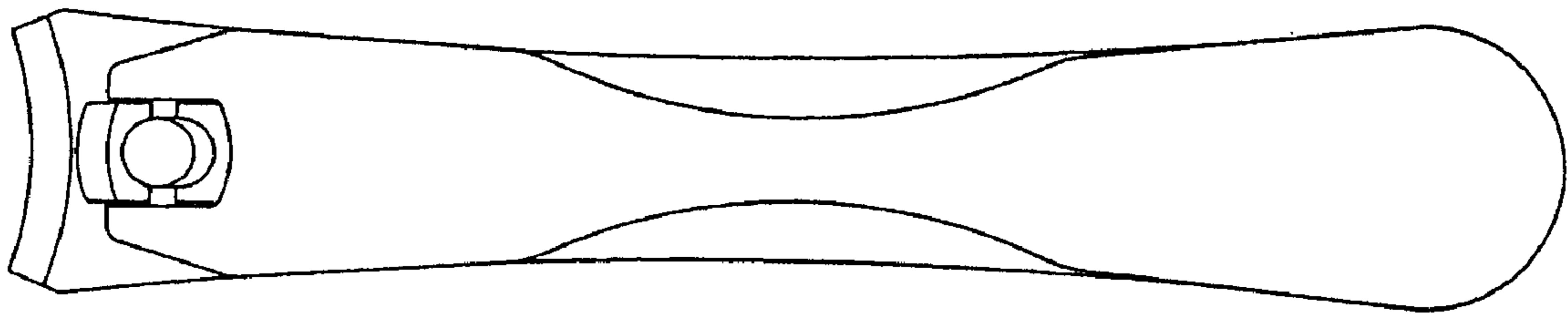


FIG. 7

