



US00D551388S

(12) **United States Design Patent**  
**Kuchler et al.**

(10) **Patent No.:** **US D551,388 S**

(45) **Date of Patent:** **\*\* Sep. 18, 2007**

(54) **HAIR IRON**

D480,176 S \* 9/2003 Ouellette ..... D28/35  
D514,252 S \* 1/2006 Shin ..... D28/35

(75) Inventors: **Marcus Kuchler**, Munich (DE); **Jason Ray**, Taipei (TW); **Todd Lawrence**, Taipei (TW)

\* cited by examiner

(73) Assignee: **McBride Research Laboratory, Inc.**, Decatur, GA (US)

*Primary Examiner*—Jennifer Rivard  
(74) *Attorney, Agent, or Firm*—Laurence P. Colton; Smith, Gambrell & Russell LLP

(\*\*) Term: **14 Years**

(21) Appl. No.: **29/250,013**

(57) **CLAIM**

(22) Filed: **Oct. 30, 2006**

The ornamental design for a hair iron, as shown and described.

**Related U.S. Application Data**

**DESCRIPTION**

(62) Division of application No. 29/231,092, filed on Jun. 1, 2005, now Pat. No. Des. 541,472.

(51) **LOC (8) Cl.** ..... **28-03**

(52) **U.S. Cl.** ..... **D28/35**

(58) **Field of Classification Search** ..... 132/222–225, 132/227–229, 232, 236, 245, 269, 271; D28/35; 219/222, 225, 226

See application file for complete search history.

FIG. 1 is a perspective view of the hair iron of the present design.

FIG. 2 is a left side elevation view of the design of FIG. 1.

FIG. 3 is a bottom plan view of the design of FIG. 1.

FIG. 4 is a top plan view of the design of FIG. 1.

FIG. 5 is a right side elevation view of the design of FIG. 1.

FIG. 6 is a front elevation view of the design of FIG. 1; and,

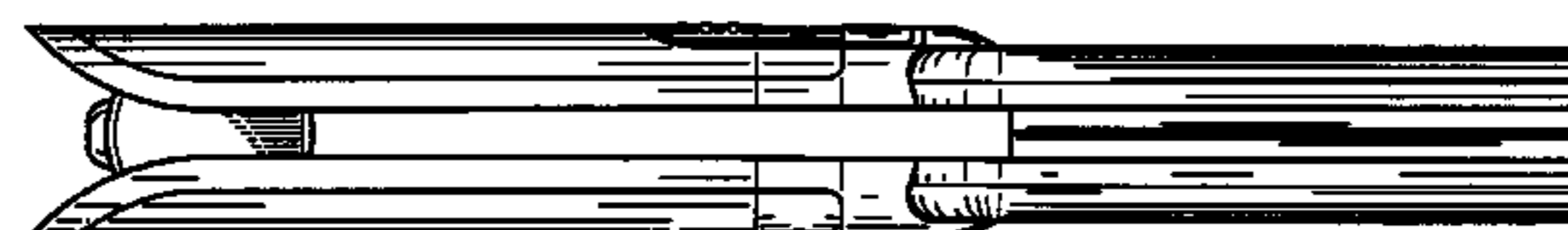
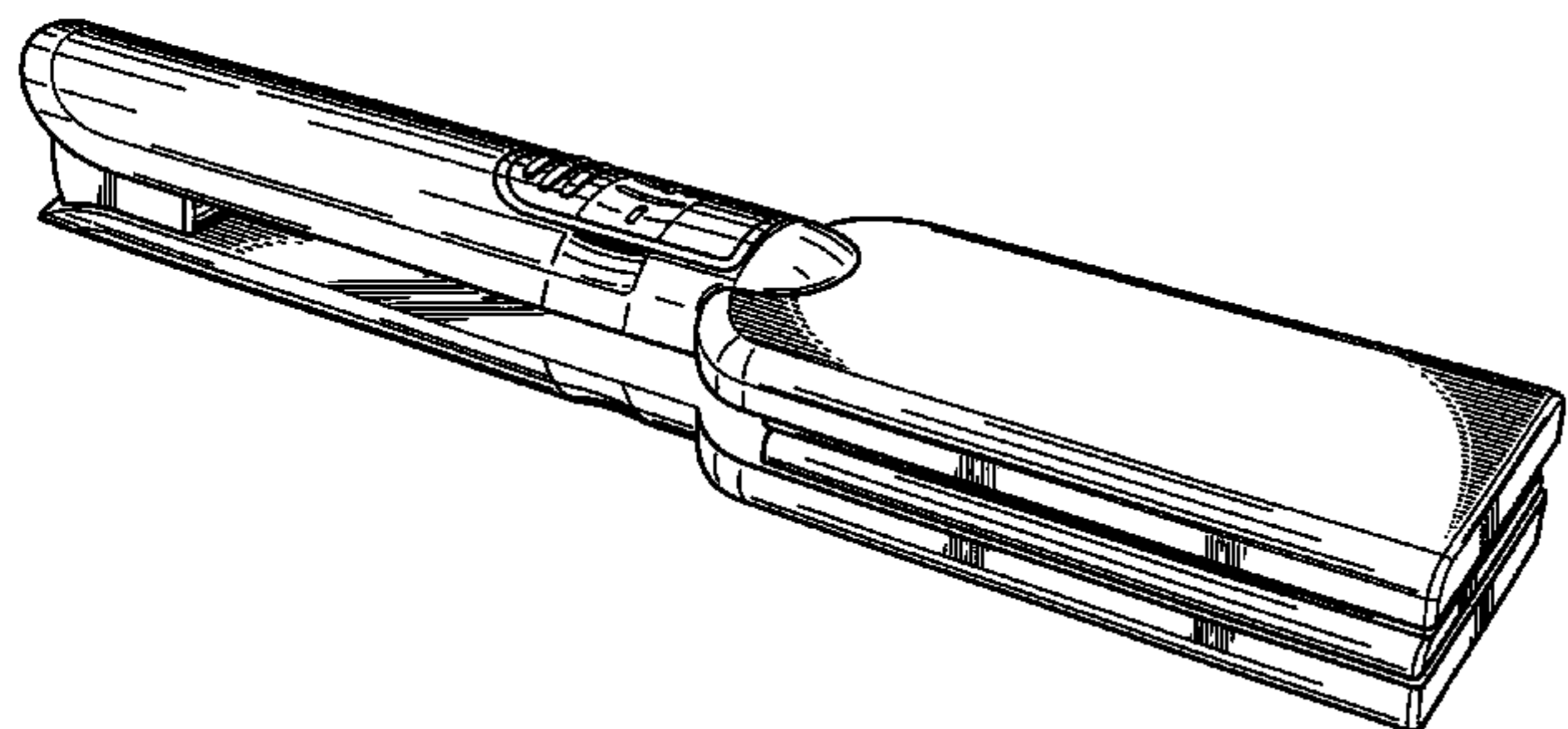
FIG. 7 is a rear elevation view of the design of FIG. 1.

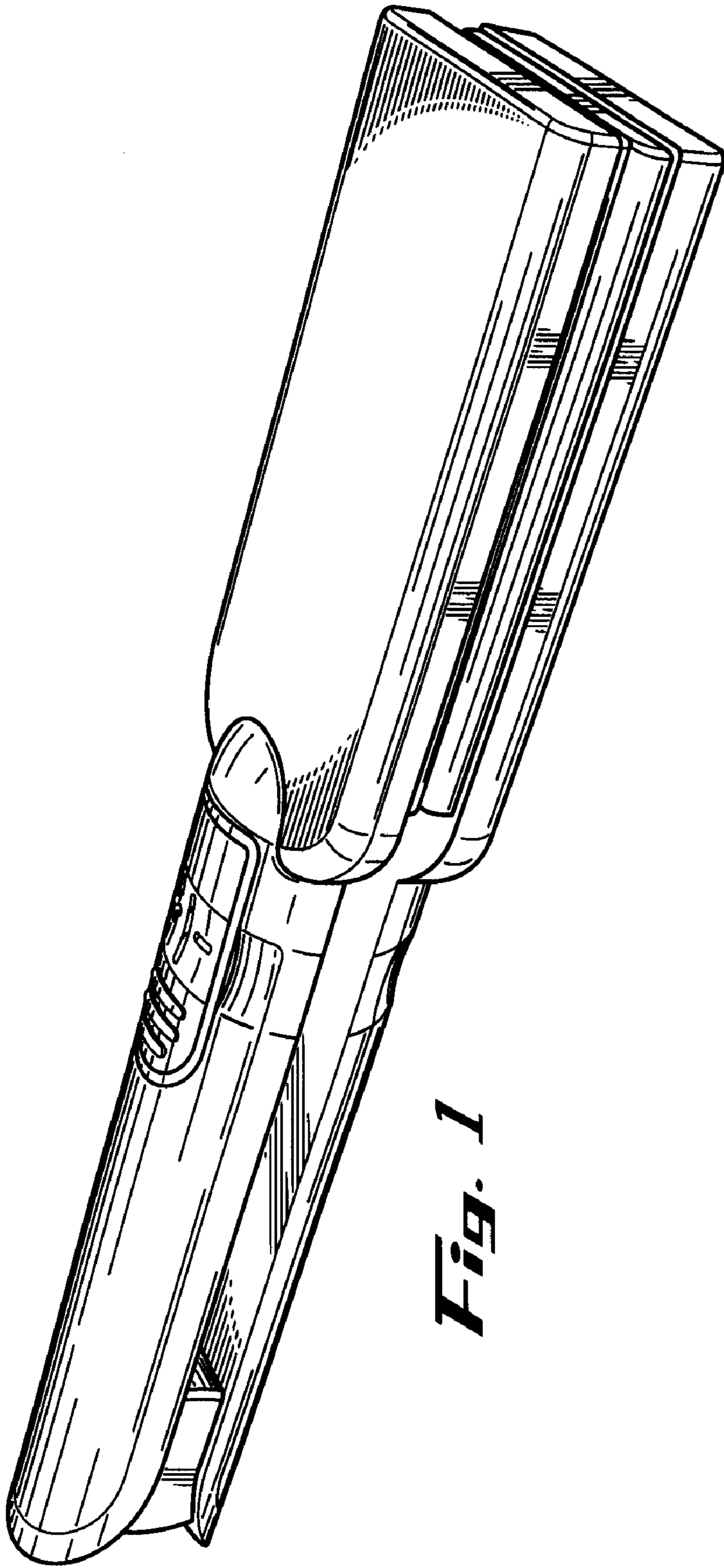
(56) **References Cited**

**U.S. PATENT DOCUMENTS**

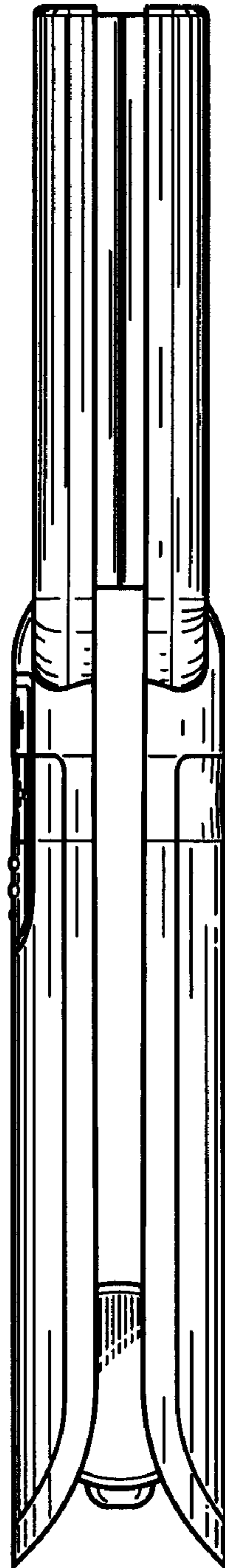
D440,710 S \* 4/2001 Kaizuka ..... D28/35

**1 Claim, 3 Drawing Sheets**

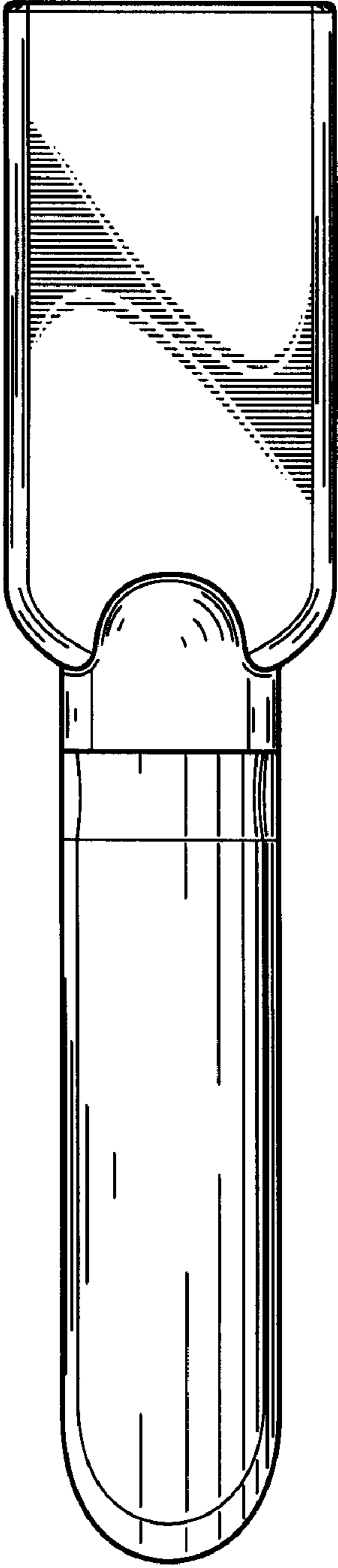




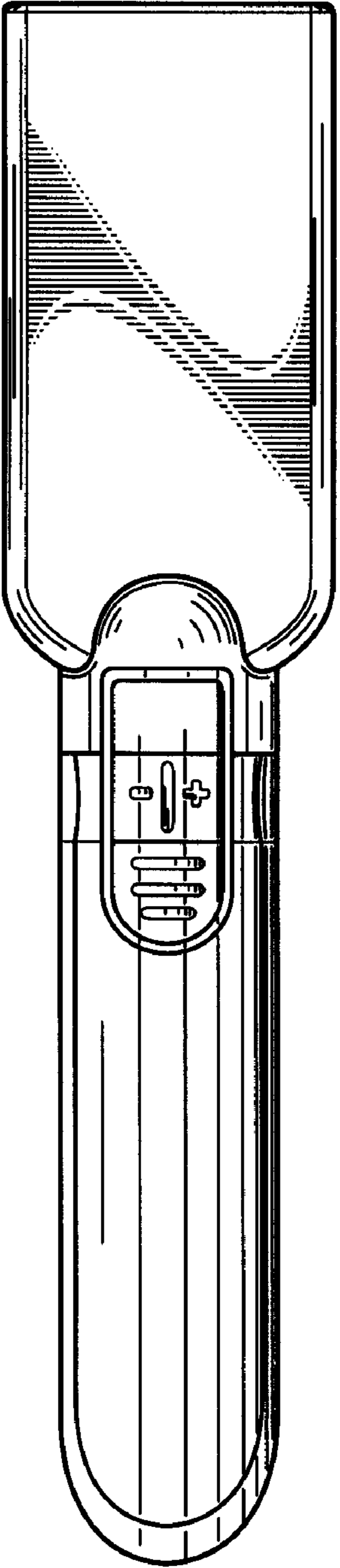
*Fig. 1*



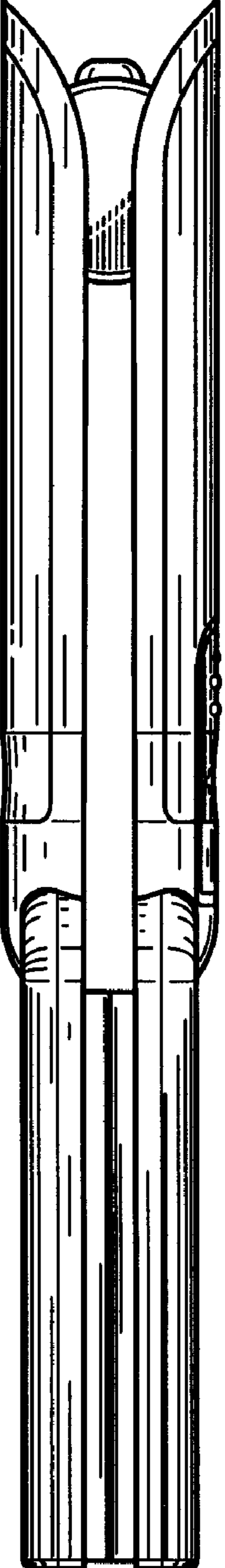
*Fig. 2*



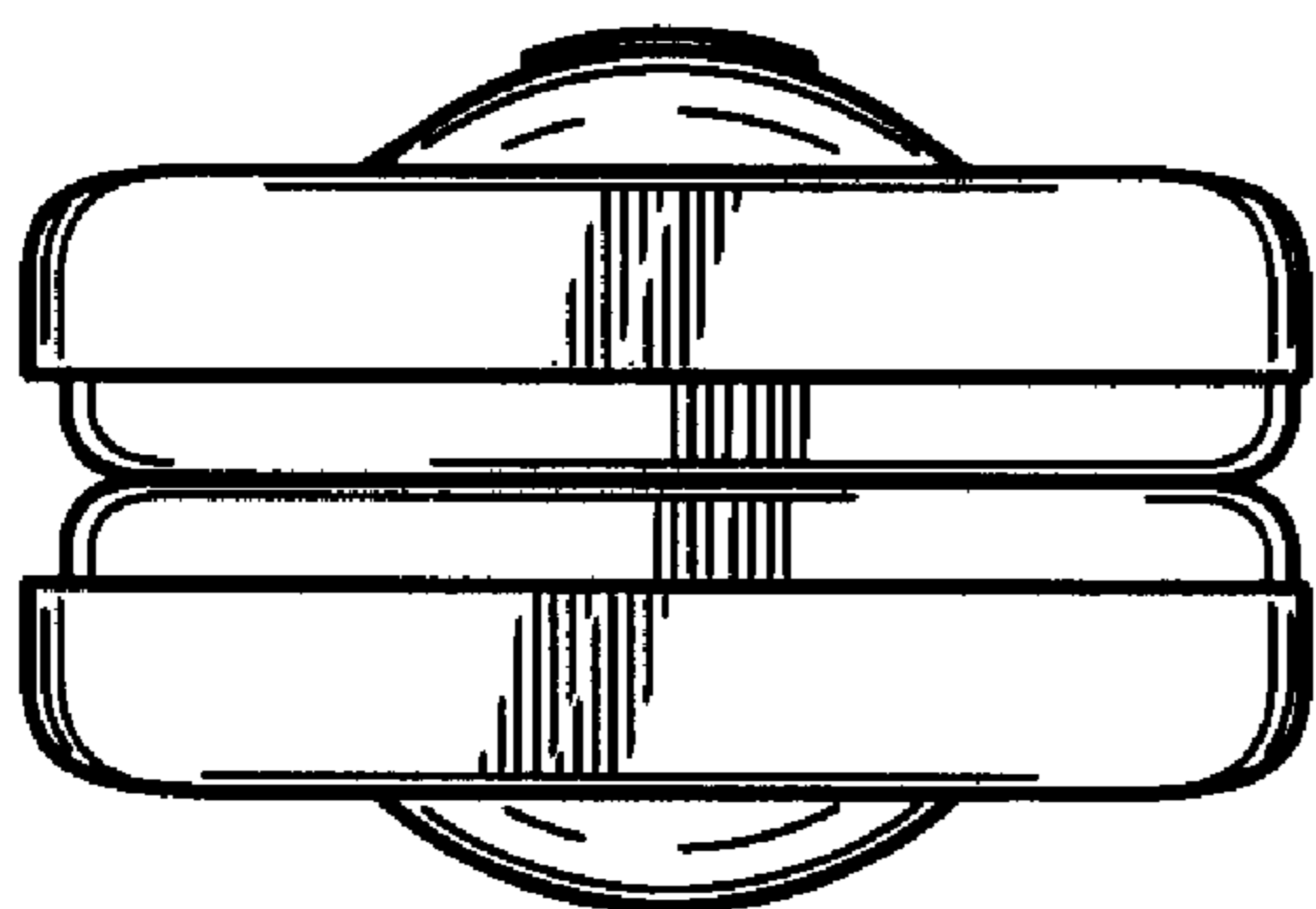
*Fig. 3*



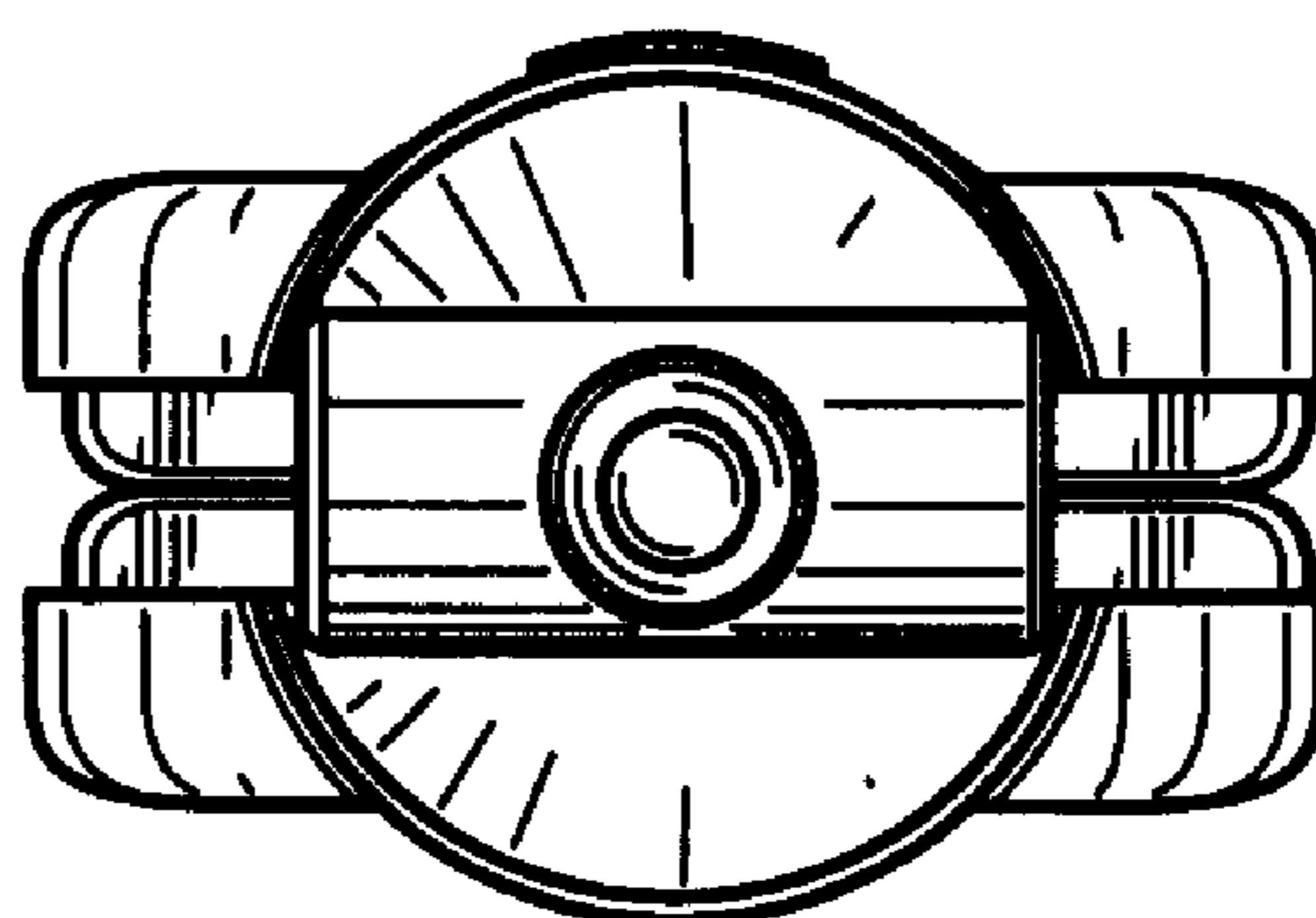
*Fig. 4*



*Fig. 5*



*Fig. 6*



*Fig. 7*