



US00D551387S

(12) **United States Design Patent**
Smith

(10) **Patent No.:** **US D551,387 S**

(45) **Date of Patent:** **** Sep. 18, 2007**

(54) **LIGHTER**

(75) Inventor: **Andrew D. Smith**, Pascoag, RI (US)

(73) Assignee: **Colibri Corporation**, Providence, RI (US)

(**) Term: **14 Years**

(21) Appl. No.: **29/269,626**

(22) Filed: **Dec. 5, 2006**

(51) **LOC (8) Cl.** **27-05**

(52) **U.S. Cl.** **D27/157**

(58) **Field of Classification Search** 431/129,
431/143, 153, 253-256, 273-277; D7/419;
D27/139-161

See application file for complete search history.

(56) **References Cited**

U.S. PATENT DOCUMENTS

D284,796 S *	7/1986	Yoshinaga	D27/148
D297,269 S *	8/1988	Yoshinaga	D27/148
D429,541 S *	8/2000	Hu	D27/154
6,129,544 A *	10/2000	Chen	431/153
6,234,784 B1 *	5/2001	Yoshinaga et al.	431/153

D444,912 S *	7/2001	Xie et al.	D27/157
D447,273 S *	8/2001	Chen	D27/141

* cited by examiner

Primary Examiner—Jennifer Rivard

(74) *Attorney, Agent, or Firm*—Salter & Michaelson

(57) **CLAIM**

The ornamental design for a lighter, as shown.

DESCRIPTION

FIG. 1 is a perspective view of a lighter showing my new design;

FIG. 2 is a front elevational view thereof;

FIG. 3 is a rear elevational view thereof;

FIG. 4 is a left side elevational view thereof;

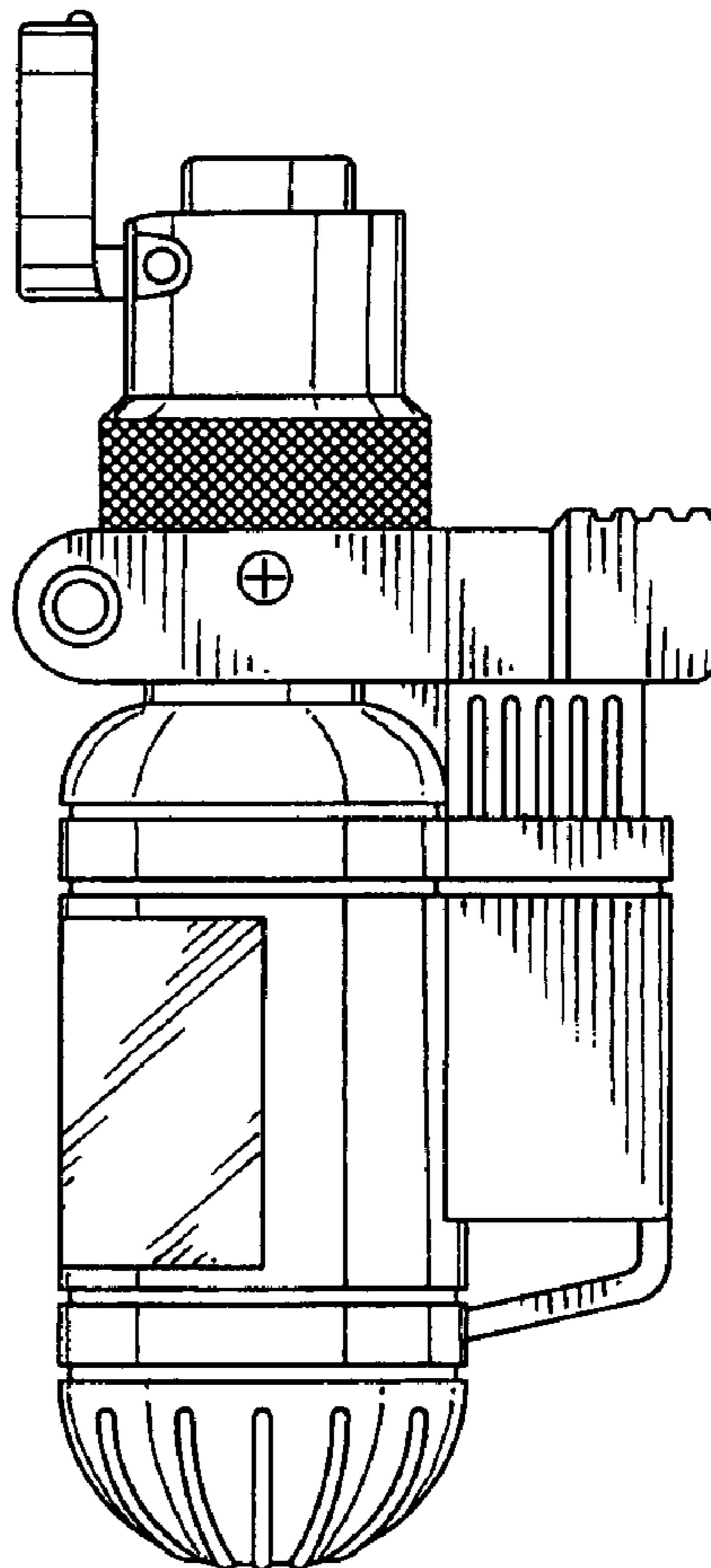
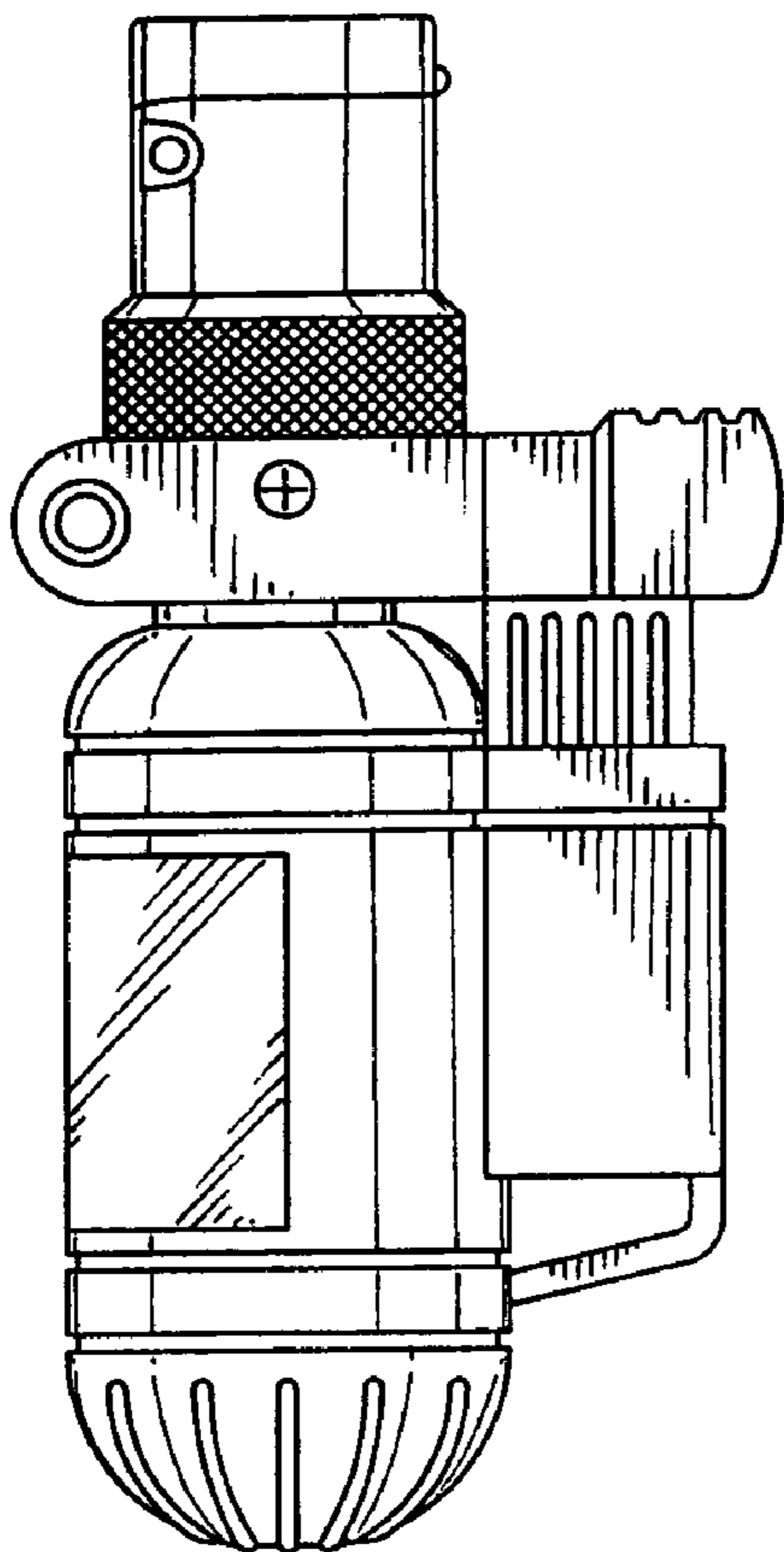
FIG. 5 is a right side elevational view thereof;

FIG. 6 is a top plan view thereof;

FIG. 7 is a bottom plan view thereof; and,

FIG. 8 is a front elevational view thereof with the cover open.

1 Claim, 4 Drawing Sheets



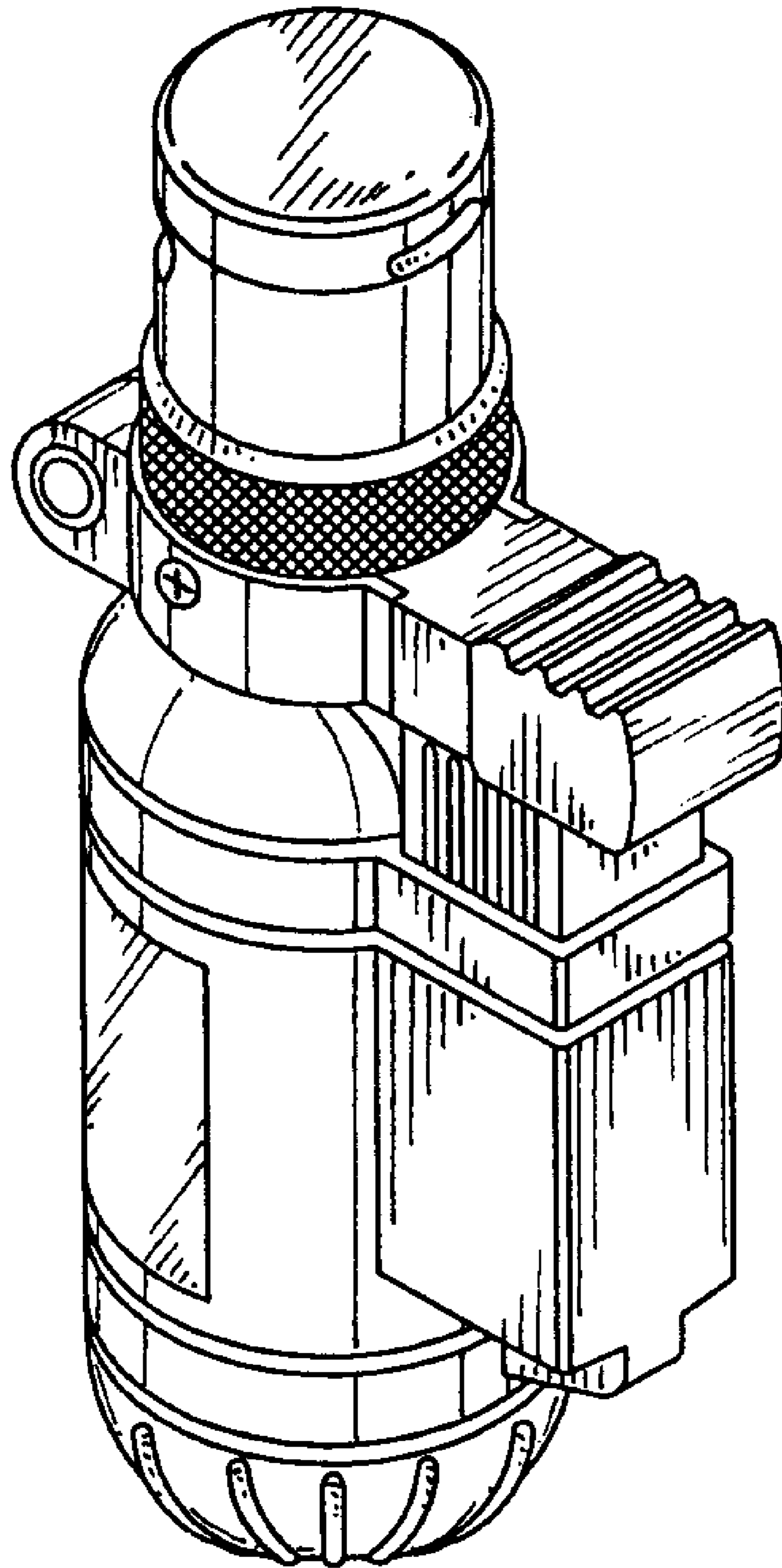


FIG. 1

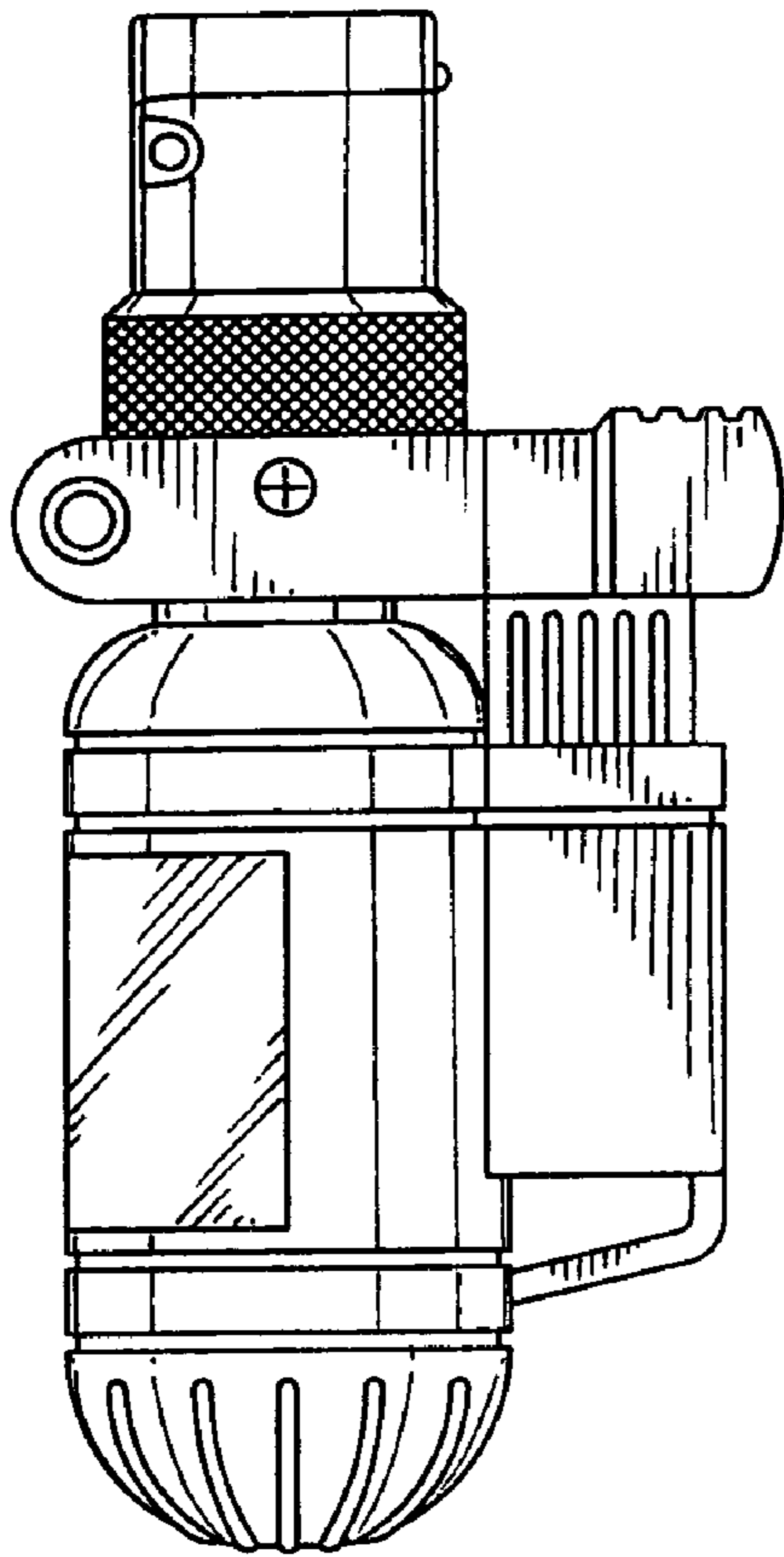


FIG. 2

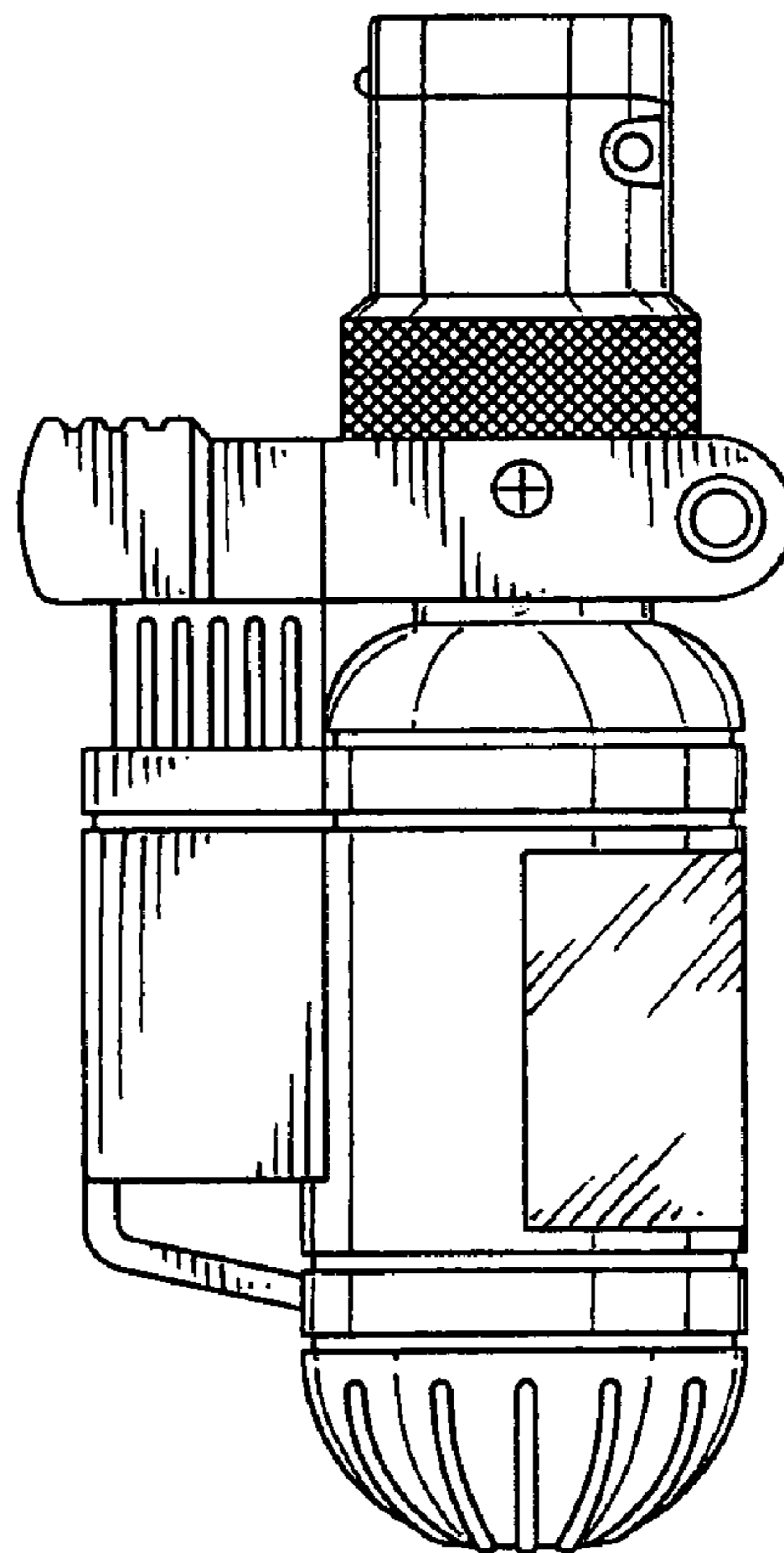


FIG. 3

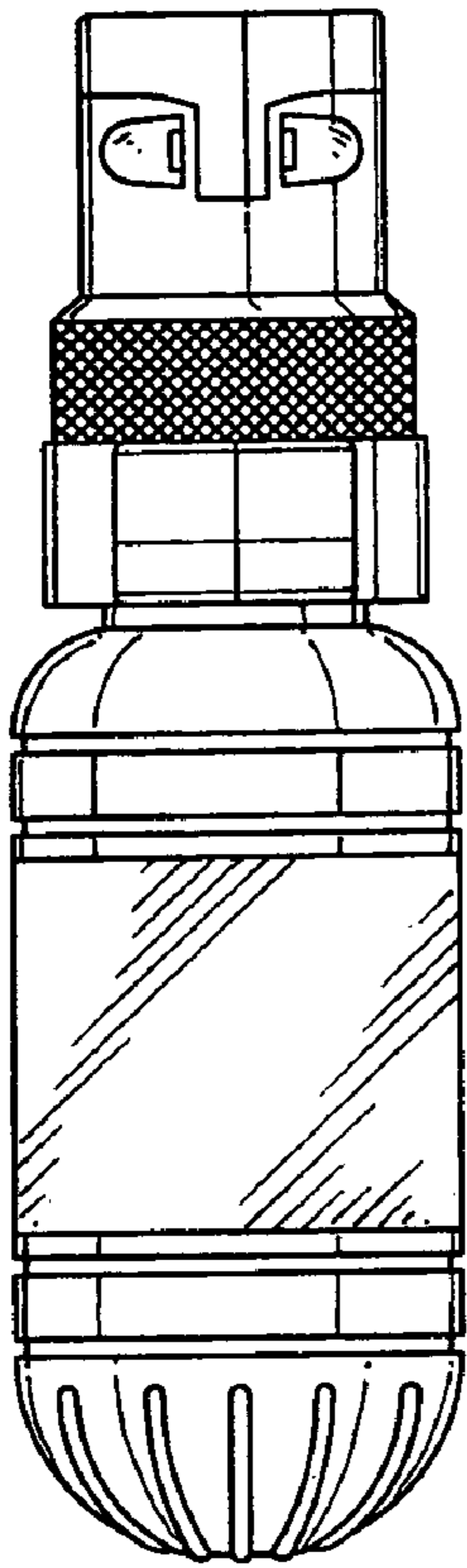


FIG. 4

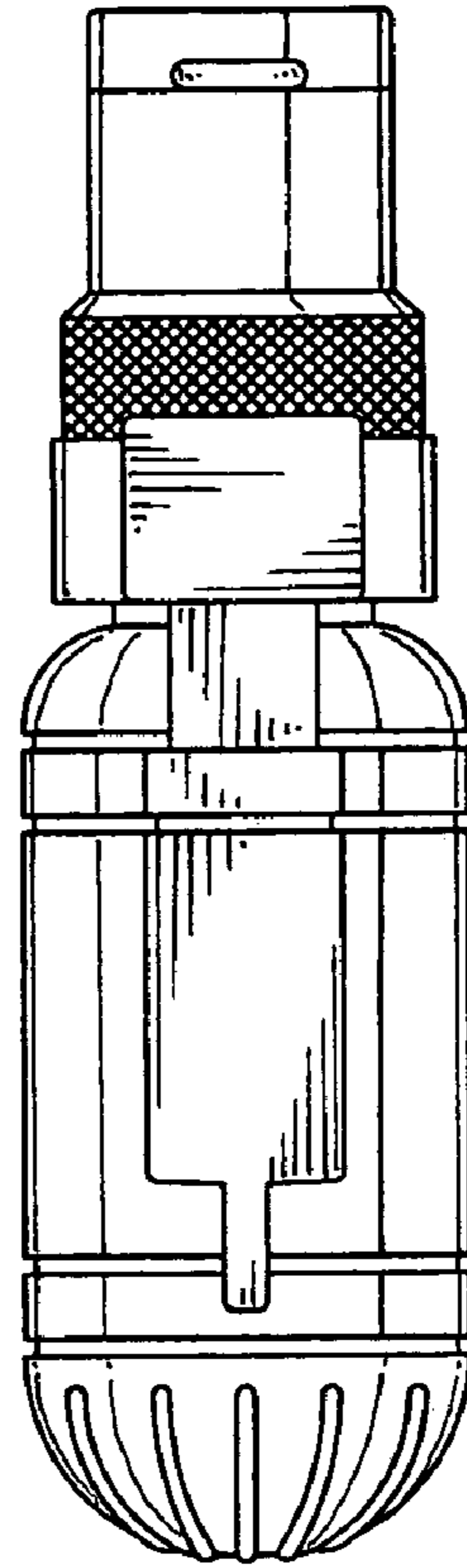


FIG. 5

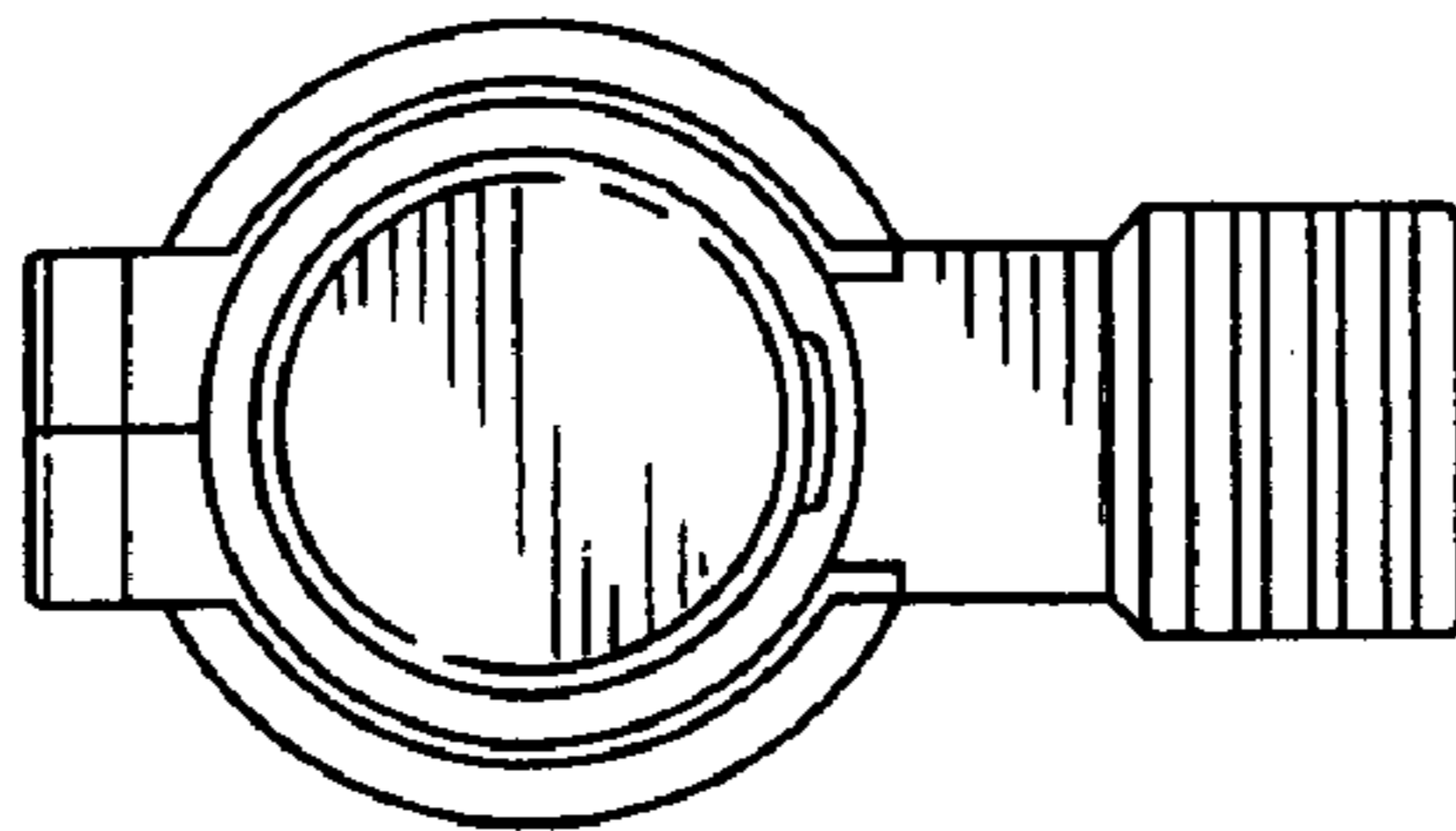


FIG. 6

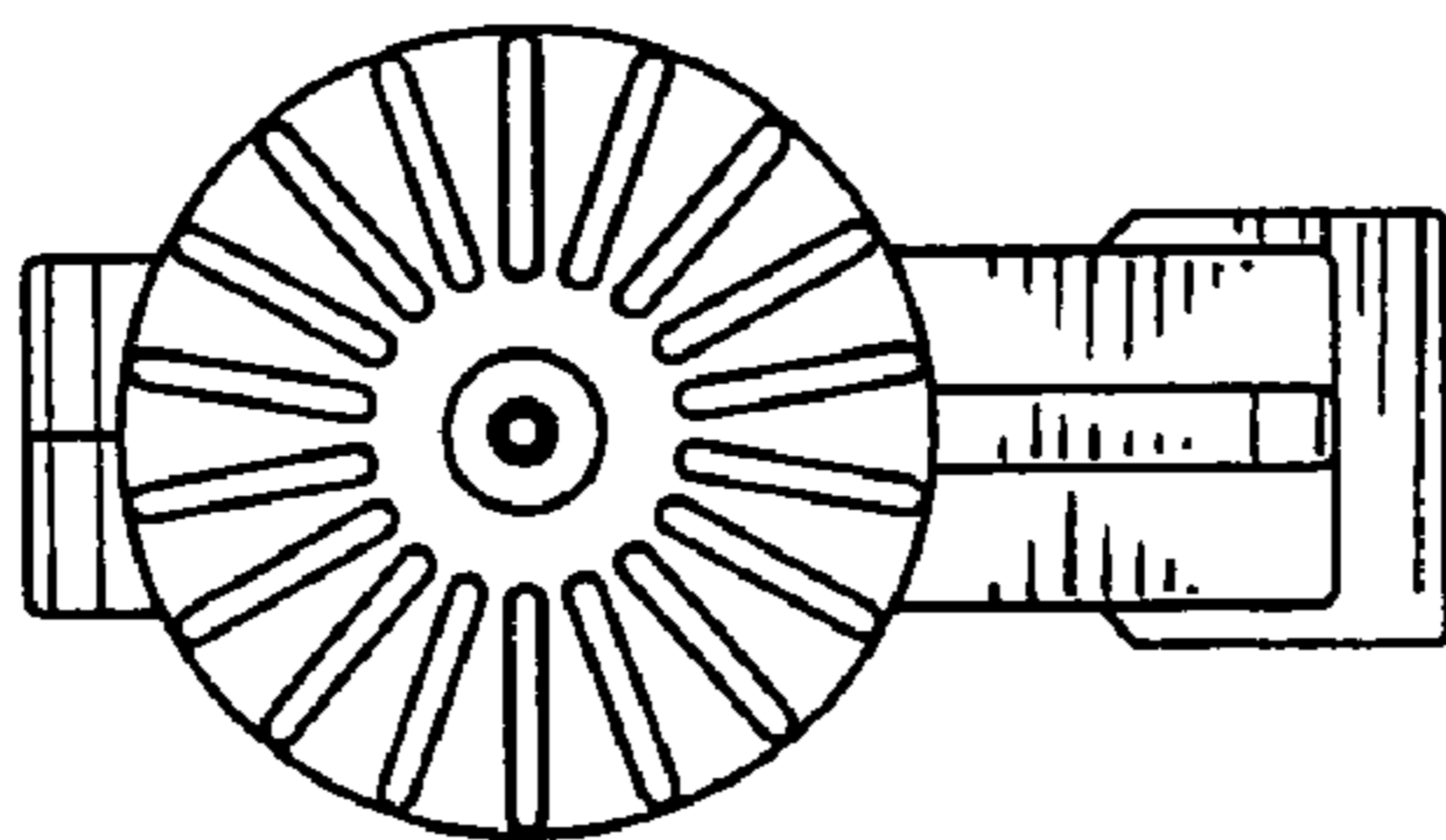


FIG. 7

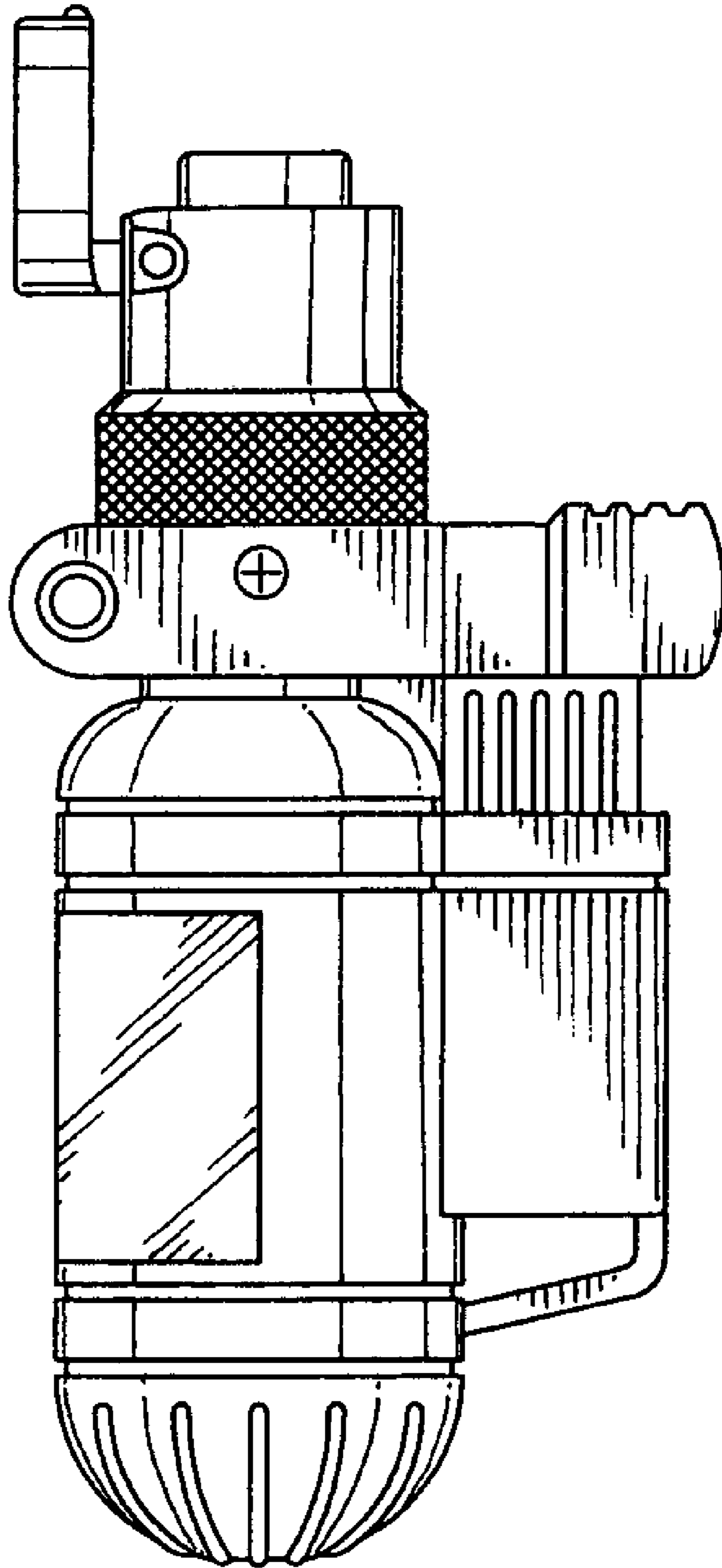


FIG. 8