



US00D551384S

(12) **United States Design Patent**
Rashidi

(10) **Patent No.:** **US D551,384 S**

(45) **Date of Patent:** **** Sep. 18, 2007**

(54) **ONE-PIECE BAFFLE TRIM FOR RECESSED LIGHT HOUSING**

2006/0221620 A1* 10/2006 Thomas 362/364
2006/0256566 A1* 11/2006 Beghelli 362/365

(76) Inventor: **Hamid Rashidi**, 139 N. Clark Dr.,
Beverly Hills, CA (US) 90211

* cited by examiner

Primary Examiner—Clare E Heflin

(74) *Attorney, Agent, or Firm*—Thomas I. Rozsa

(**) Term: **14 Years**

(21) Appl. No.: **29/254,348**

(57) **CLAIM**

(22) Filed: **Feb. 21, 2006**

The ornamental design for a one-piece baffle trim for recessed light housing, as shown and described.

(51) **LOC (8) Cl.** **26-99**

(52) **U.S. Cl.** **D26/118; D26/74**

(58) **Field of Classification Search** D26/63–65,
D26/72, 75, 85–89, 118; 362/147, 148, 364–366
See application file for complete search history.

DESCRIPTION

FIG. 1 is a perspective view of the one-piece baffle trim for recessed light housing, showing my design;

FIG. 2 is a top plan view;

FIG. 3 is a bottom plan view;

FIG. 4 is a side elevational view when viewed from the left side.

FIG. 5 is a side elevational view when viewed from the right side;

FIG. 6 is a front elevational view; and,

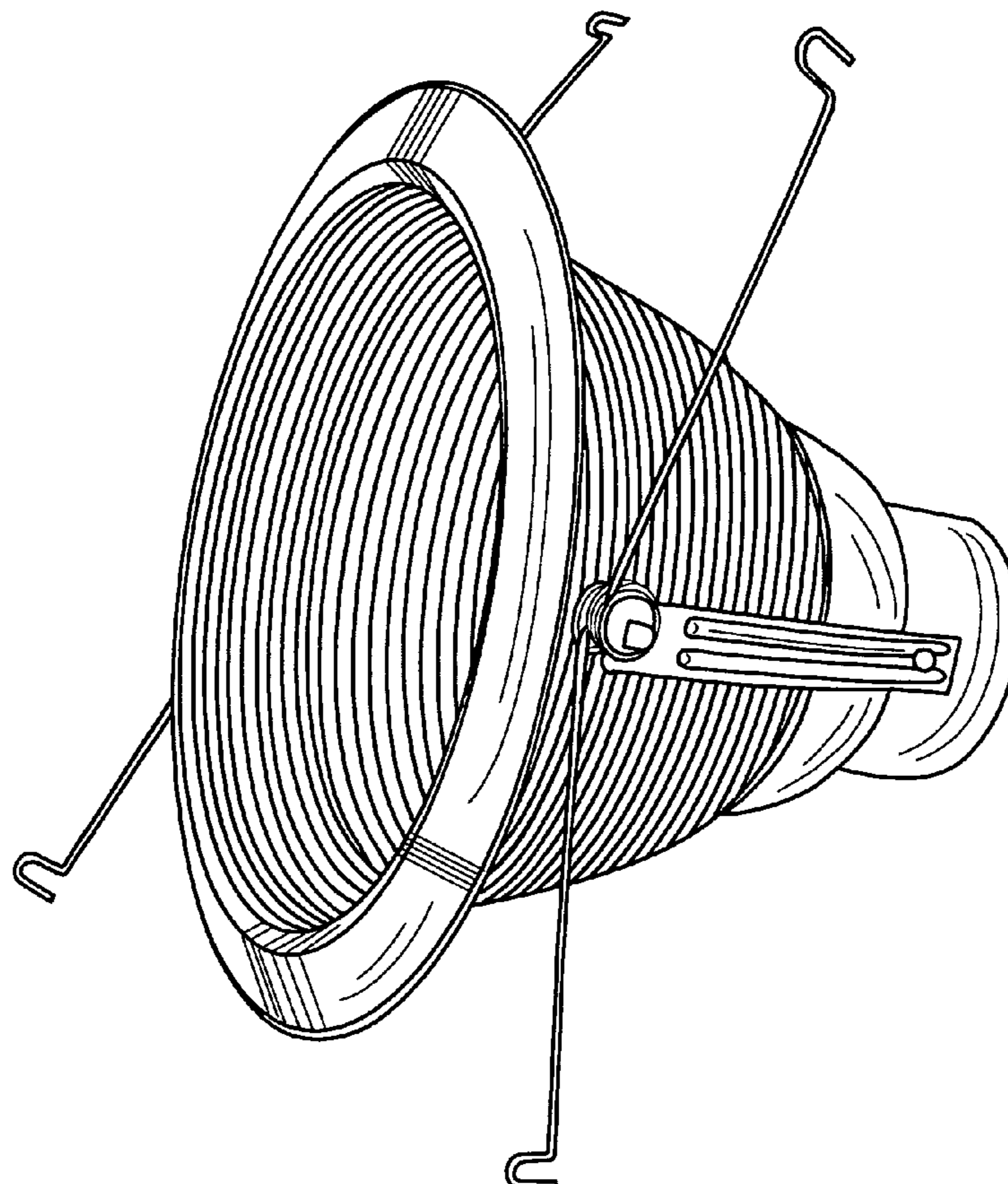
FIG. 7 is a rear elevational view.

(56) **References Cited**

U.S. PATENT DOCUMENTS

5,222,800	A *	6/1993	Chan et al.	362/147
D383,565	S *	9/1997	Demshki, Jr. et al.	D26/131
5,673,997	A *	10/1997	Akiyama	362/147
6,168,298	B1 *	1/2001	Hentz et al.	362/365
6,247,832	B1 *	6/2001	Neustadt	362/356
6,343,873	B1 *	2/2002	Eberhard et al.	362/364
6,431,723	B1 *	8/2002	Schubert et al.	362/147
D508,751	S *	8/2005	Rashidi	D26/74

1 Claim, 7 Drawing Sheets



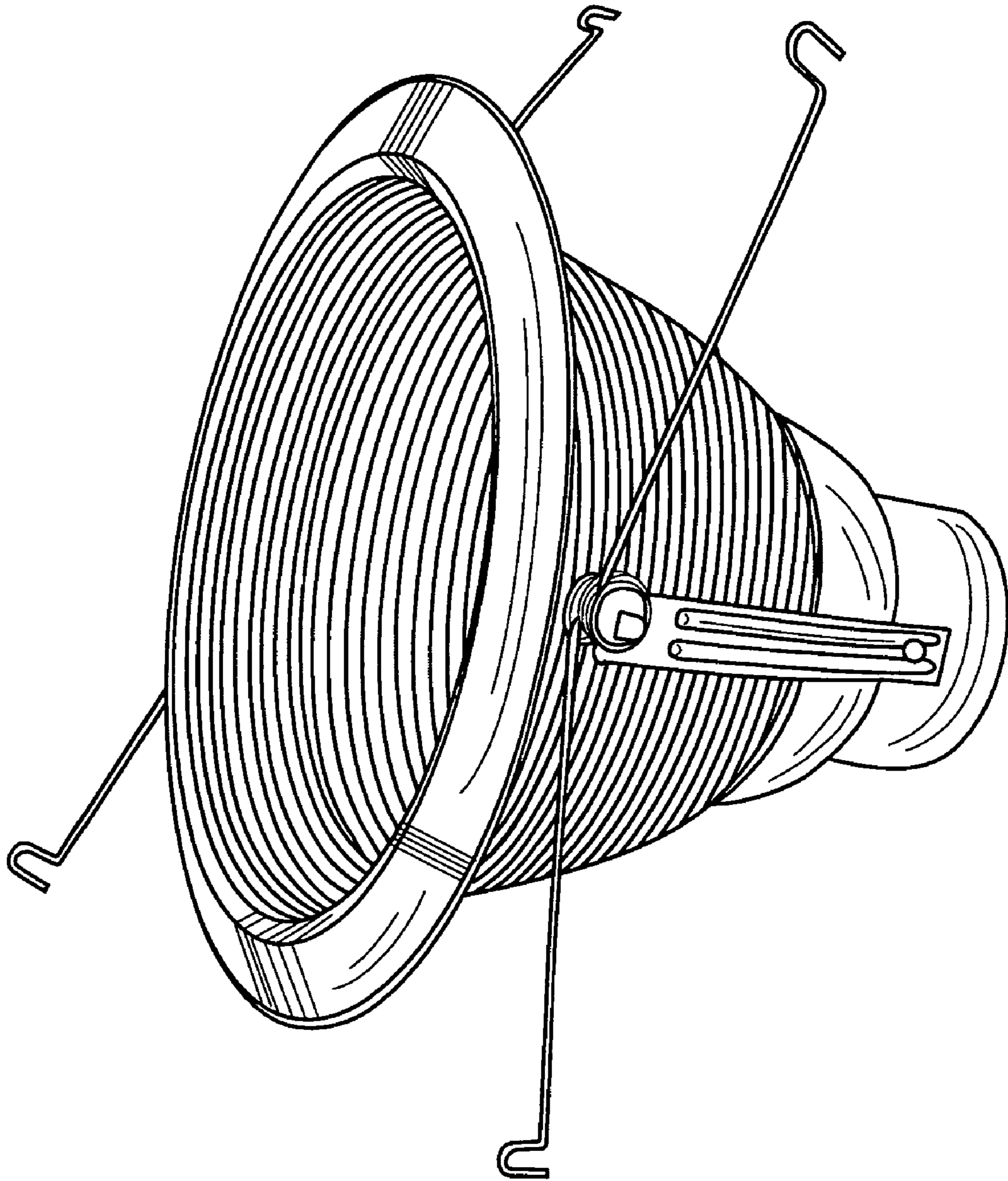


Fig. 1

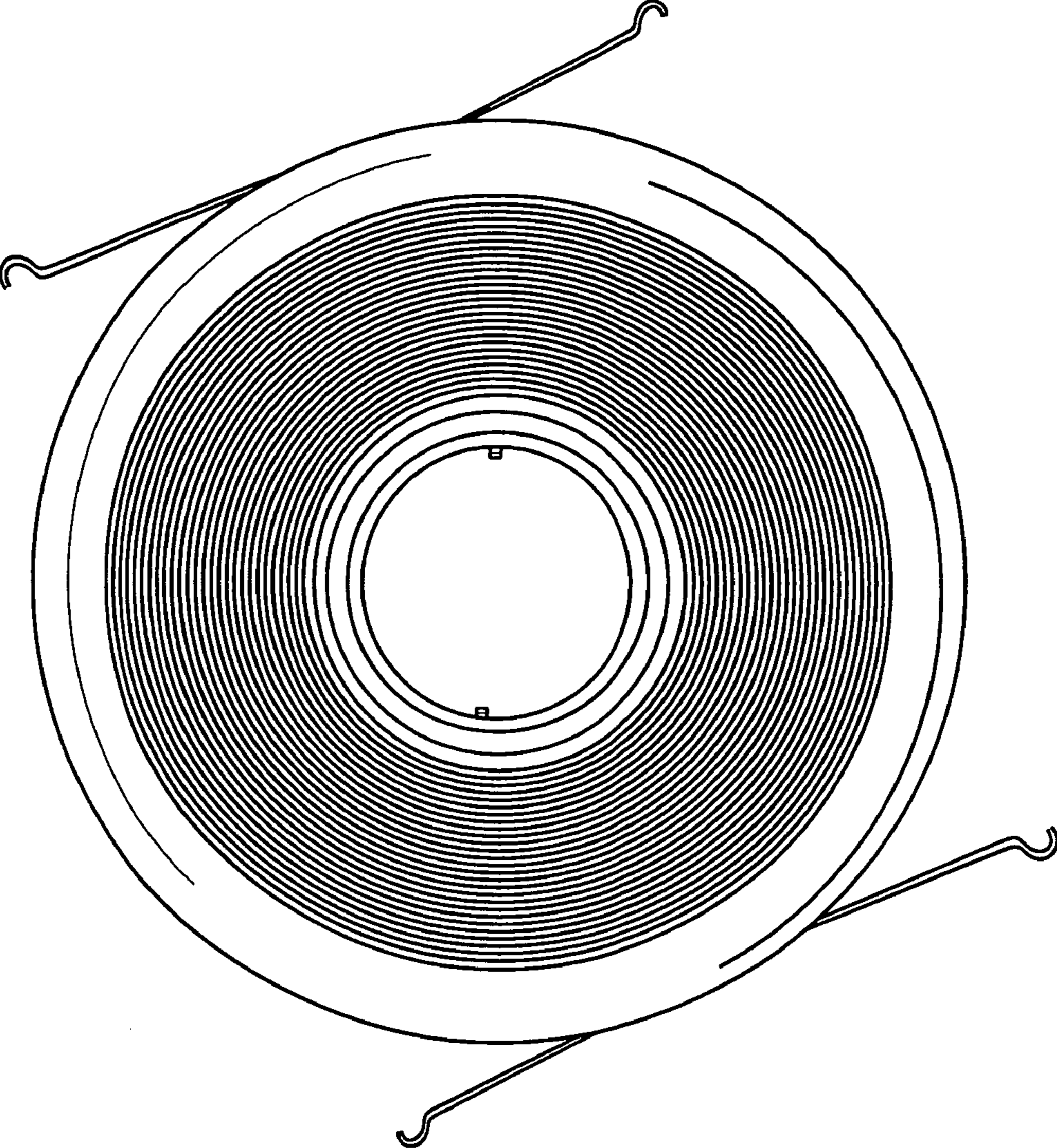


Fig. 2

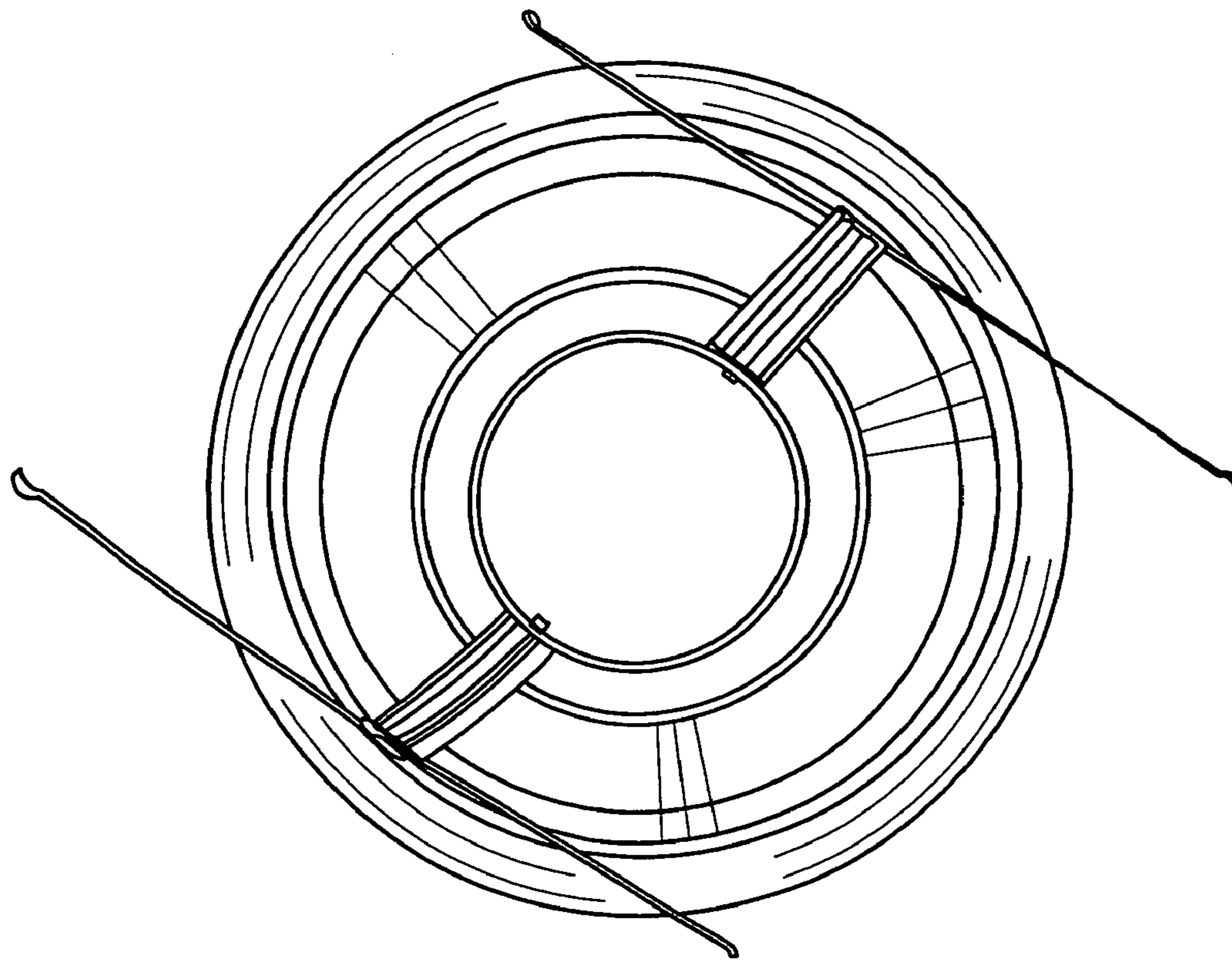


Fig. 3

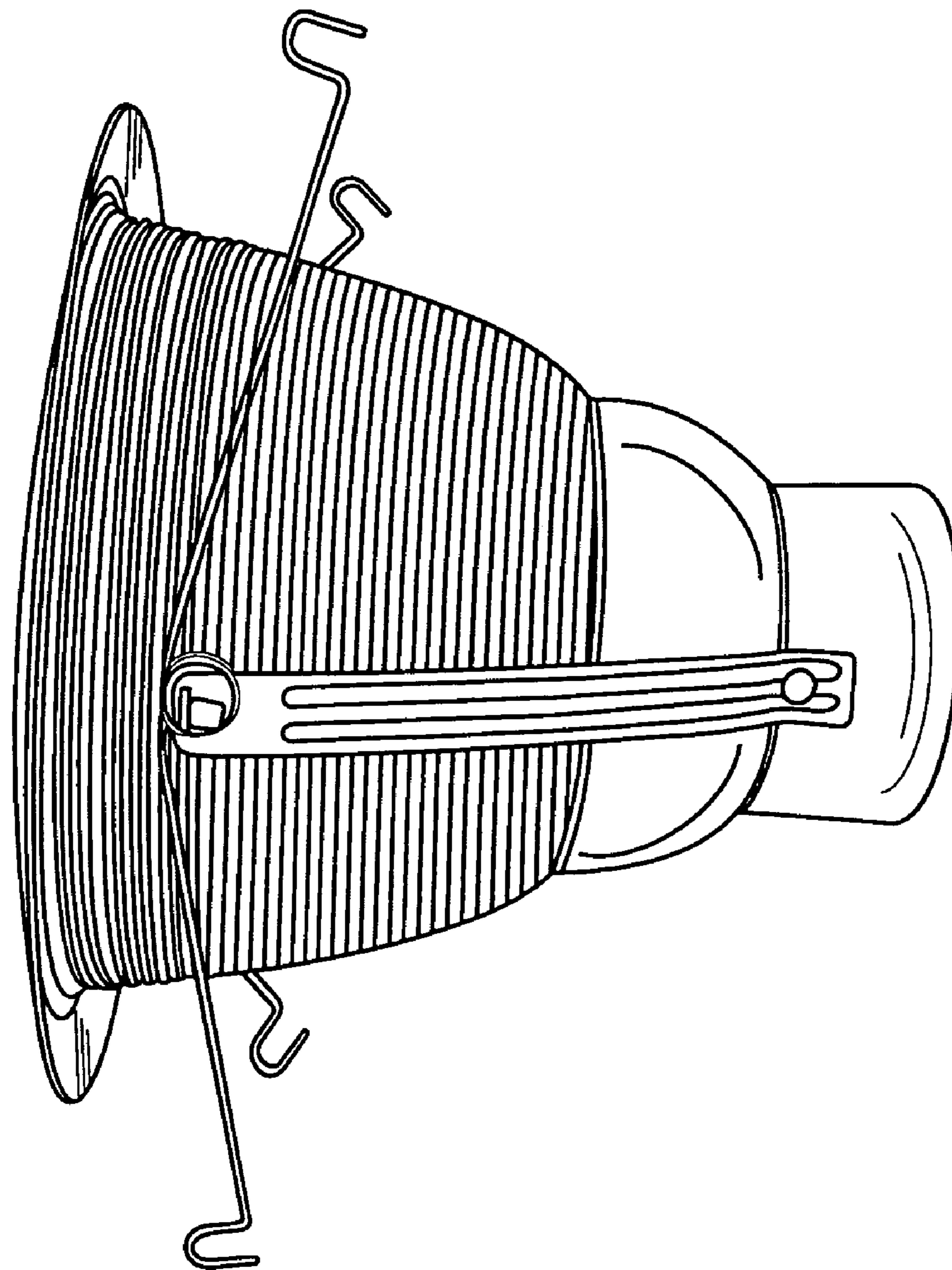


Fig. 4

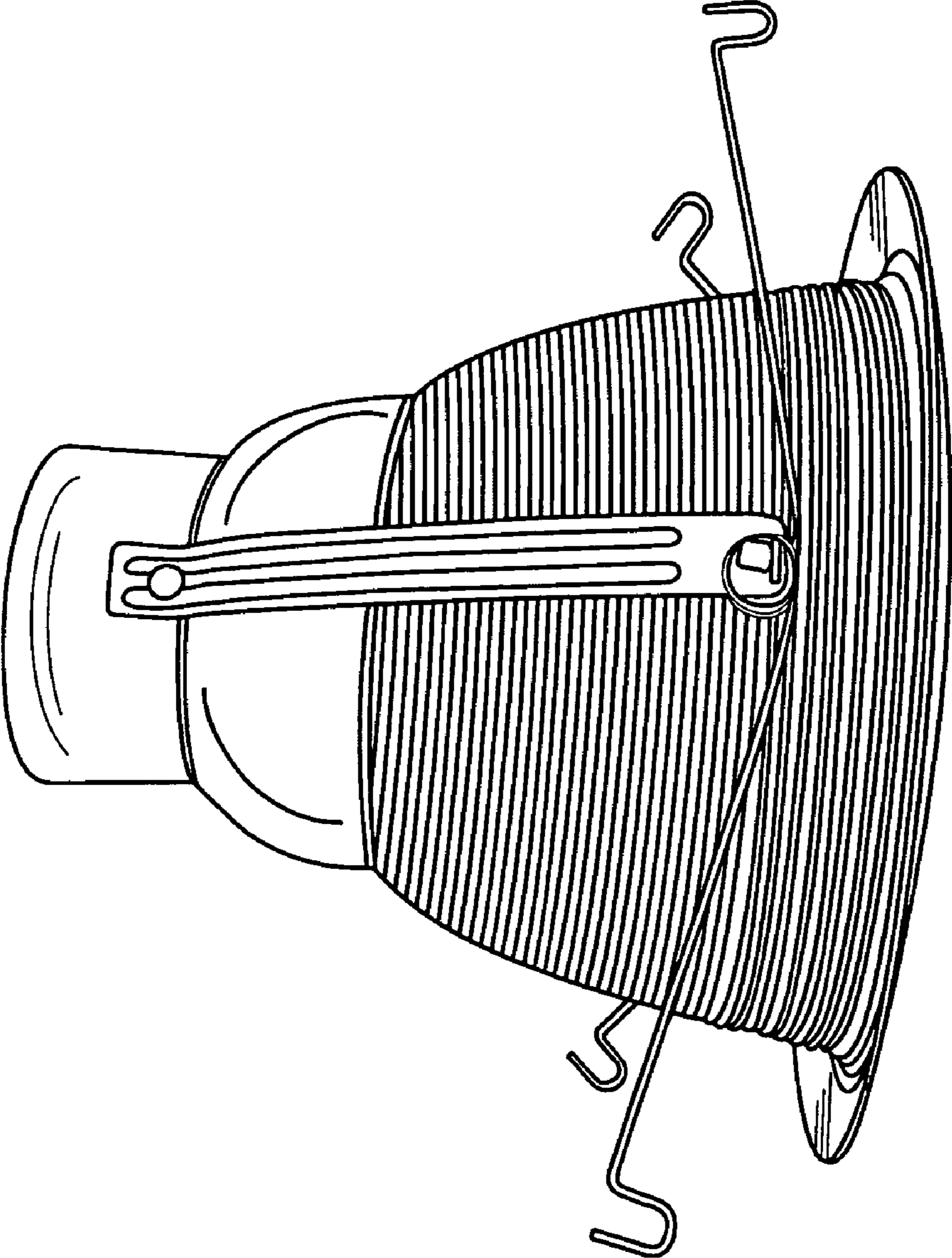


Fig. 5

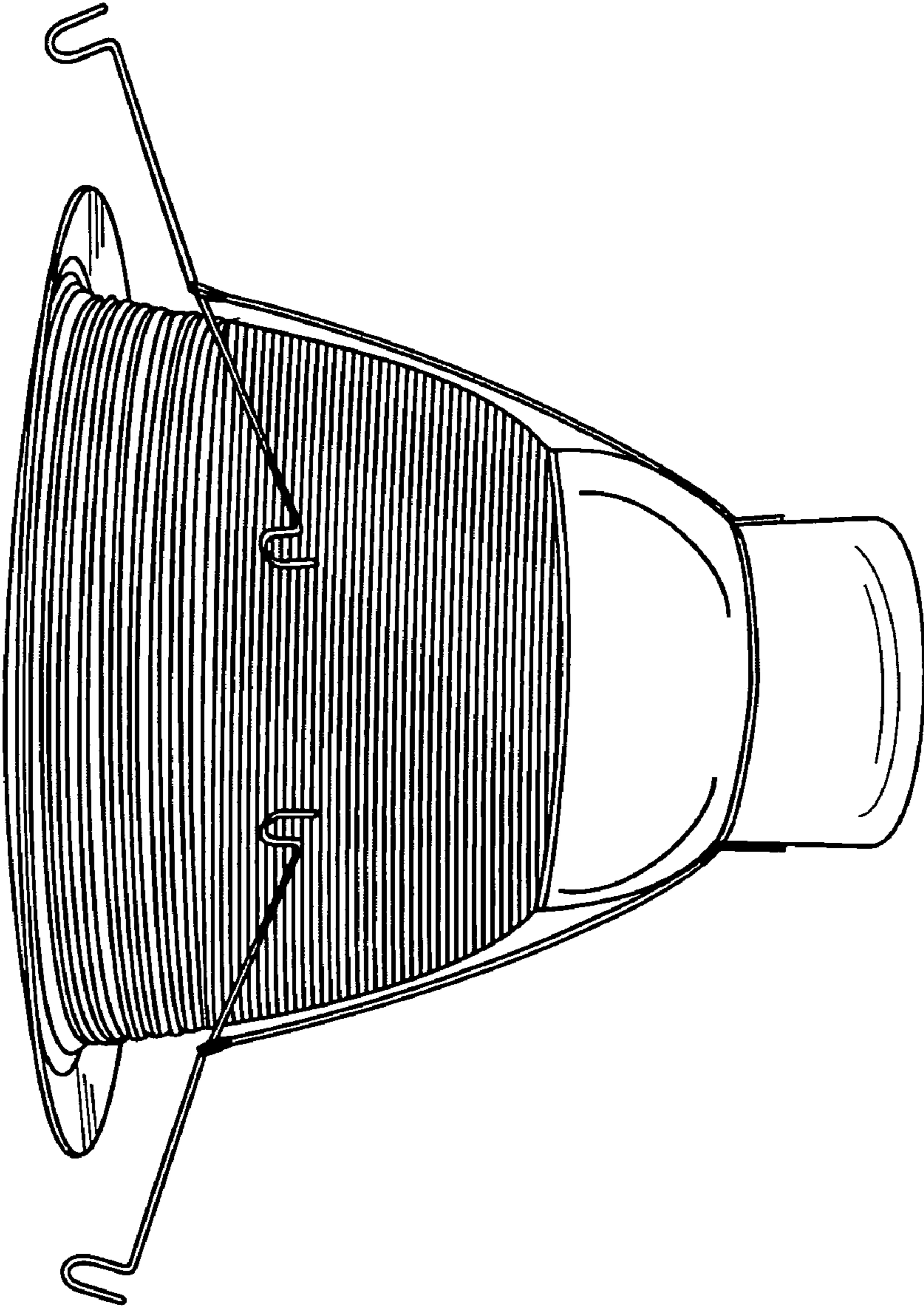


Fig. 6

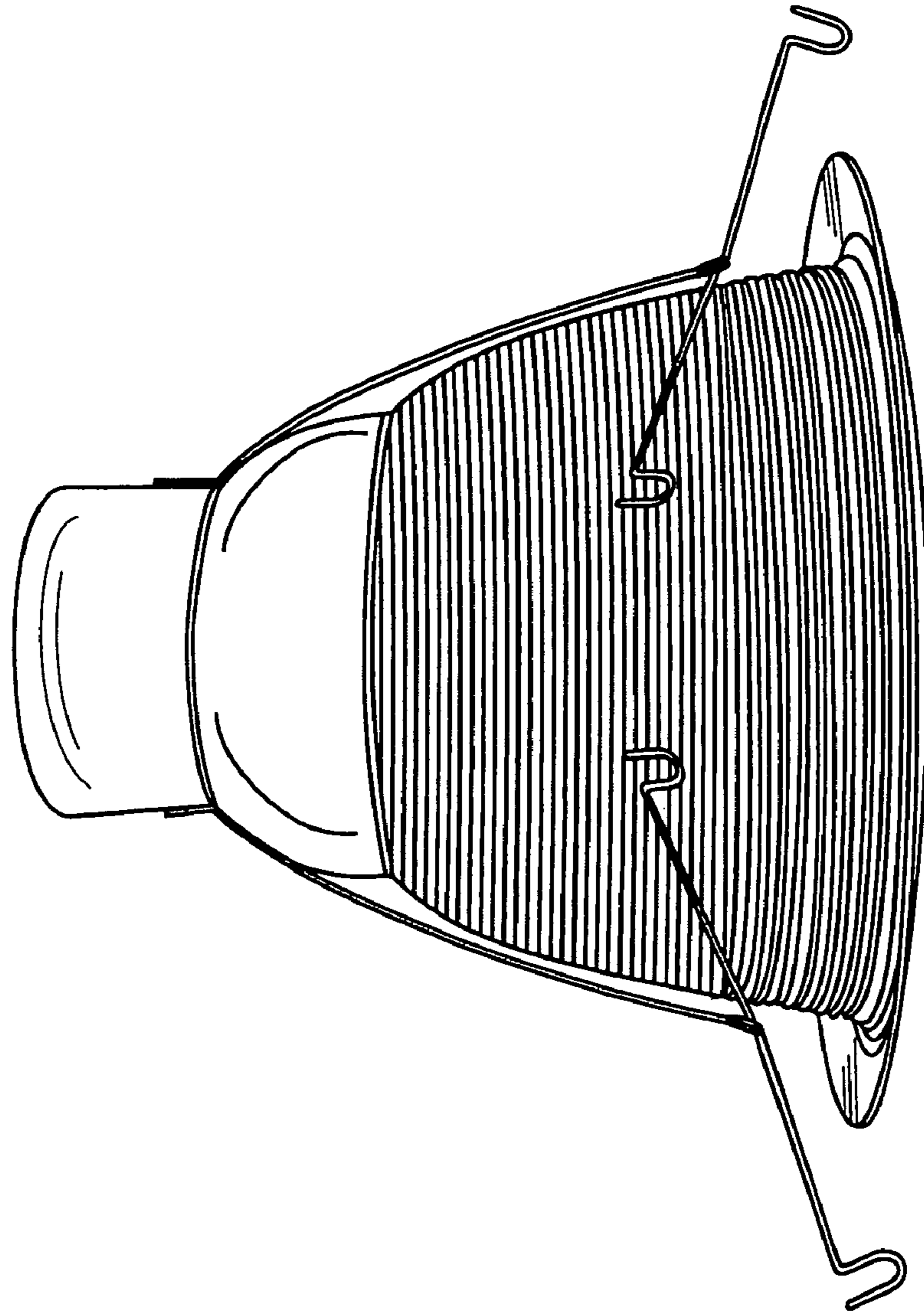


Fig. 7