



US00D551383S

(12) **United States Design Patent**
Wu et al.

(10) **Patent No.:** **US D551,383 S**

(45) **Date of Patent:** **** Sep. 18, 2007**

(54) **EDGE-EMITTING LIGHT EMITTING DIODE COMPONENT**

(75) Inventors: **Chung-Chan Wu**, Taipei (TW);
Chen-Hsiu Lin, Taipei Hsien (TW)

(73) Assignee: **Lite-On Technology Corp.**, Neihu,
Taipei (TW)

(**) Term: **14 Years**

(21) Appl. No.: **29/248,399**

(22) Filed: **Aug. 15, 2006**

Related U.S. Application Data

(63) Continuation-in-part of application No. 29/237,841,
filed on Sep. 8, 2005, now Pat. No. Des. 533,146.

(30) **Foreign Application Priority Data**

Jun. 13, 2005 (TW) 94303508

(51) **LOC (8) Cl.** **26-99**

(52) **U.S. Cl.** **D26/118**

(58) **Field of Classification Search** D26/118,
D26/113, 120.2; 313/500; D13/180; 362/800,
362/551, 555, 257, 251, 362, 31, 364; 257/79,
257/80, 81, 82, 98, 99, 100, 433, 434

See application file for complete search history.

(56) **References Cited**

U.S. PATENT DOCUMENTS

D259,708 S * 6/1981 Swinstead D10/80
D267,352 S * 12/1982 Suzuki D26/118
4,466,050 A 8/1984 Lockard
D278,999 S * 5/1985 Zimmerman D13/184
D290,411 S * 6/1987 Caine D26/120
D300,570 S * 4/1989 DeCandia D26/63

D304,623 S * 11/1989 Roulstone D26/63
D315,610 S * 3/1991 Joosten et al. D26/63
D355,502 S * 2/1995 Liao D26/67
D420,458 S * 2/2000 Guercio D26/63
D434,515 S * 11/2000 McNamara D26/63
6,238,076 B1 5/2001 Pascale et al.
D446,499 S * 8/2001 Andre et al. D13/110
6,335,996 B1 * 1/2002 Yamaguchi 385/134
D454,110 S * 3/2002 Andre et al. D13/110
D467,359 S * 12/2002 Yiu D26/3
D478,877 S * 8/2003 Hoshiba D13/182
6,659,799 B2 * 12/2003 Yang 439/607
D495,668 S 9/2004 Kim et al.
D496,007 S 9/2004 Hoshiba
D504,404 S 4/2005 Ishida
D506,449 S 6/2005 Hoshiba
D512,031 S 11/2005 Ishida
D515,044 S 2/2006 Ishida
2002/0149314 A1 10/2002 Takahashi et al.

* cited by examiner

Primary Examiner—Freda S. Nunn

Assistant Examiner—Kevin K. Rudzinski

(74) *Attorney, Agent, or Firm*—Winston Hsu

(57) **CLAIM**

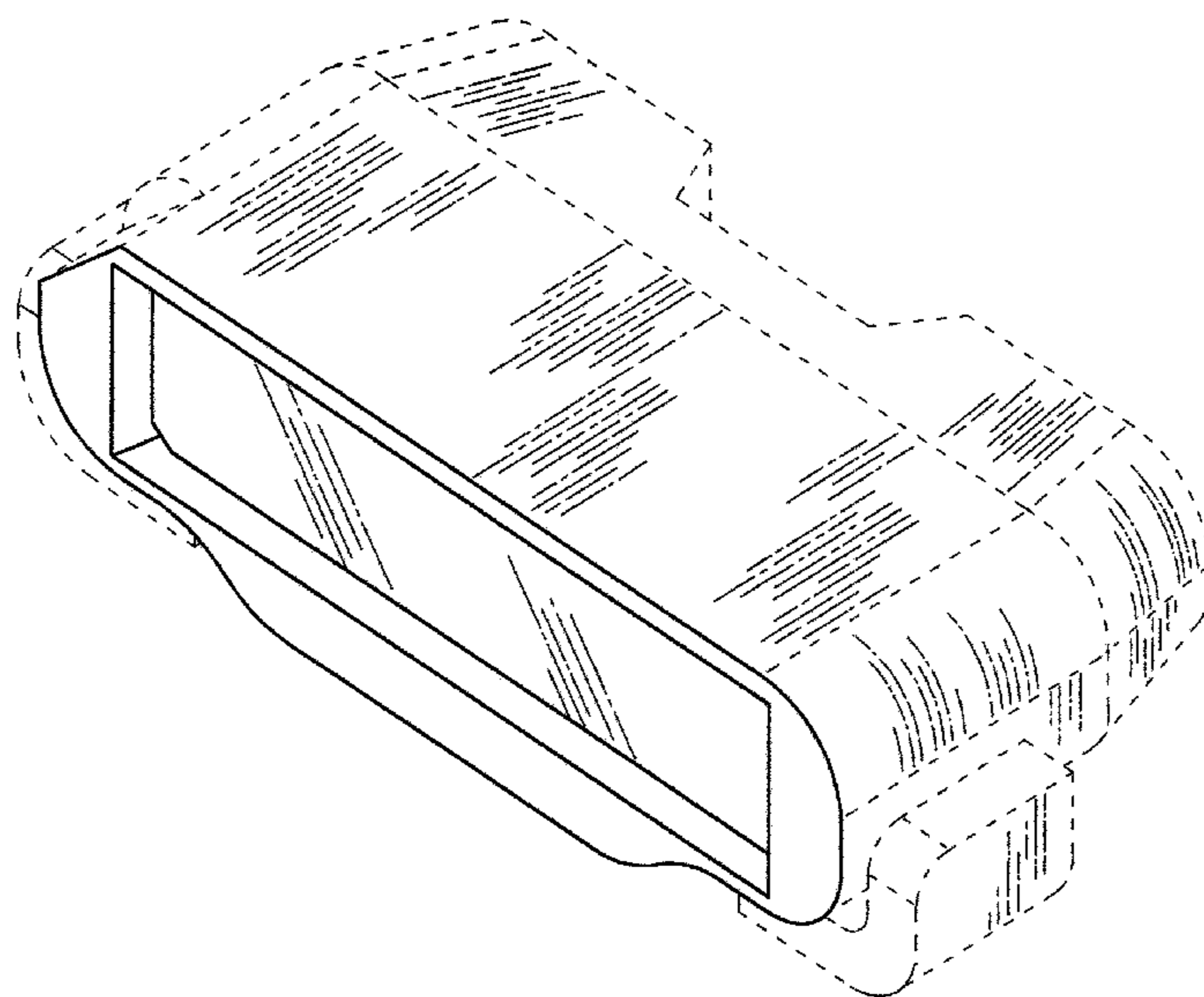
The ornamental design for an edge-emitting light emitting diode component, as shown and described.

DESCRIPTION

FIG. 1 is a perspective view of an edge-emitting light emitting diode component according to the new design; and, FIG. 2 is a front view thereof.

The broken lines showing the main body and the surface shading shown on surfaces not fully defined by solid lines are only for illustrative purposes and form no part of the claimed design.

1 Claim, 2 Drawing Sheets



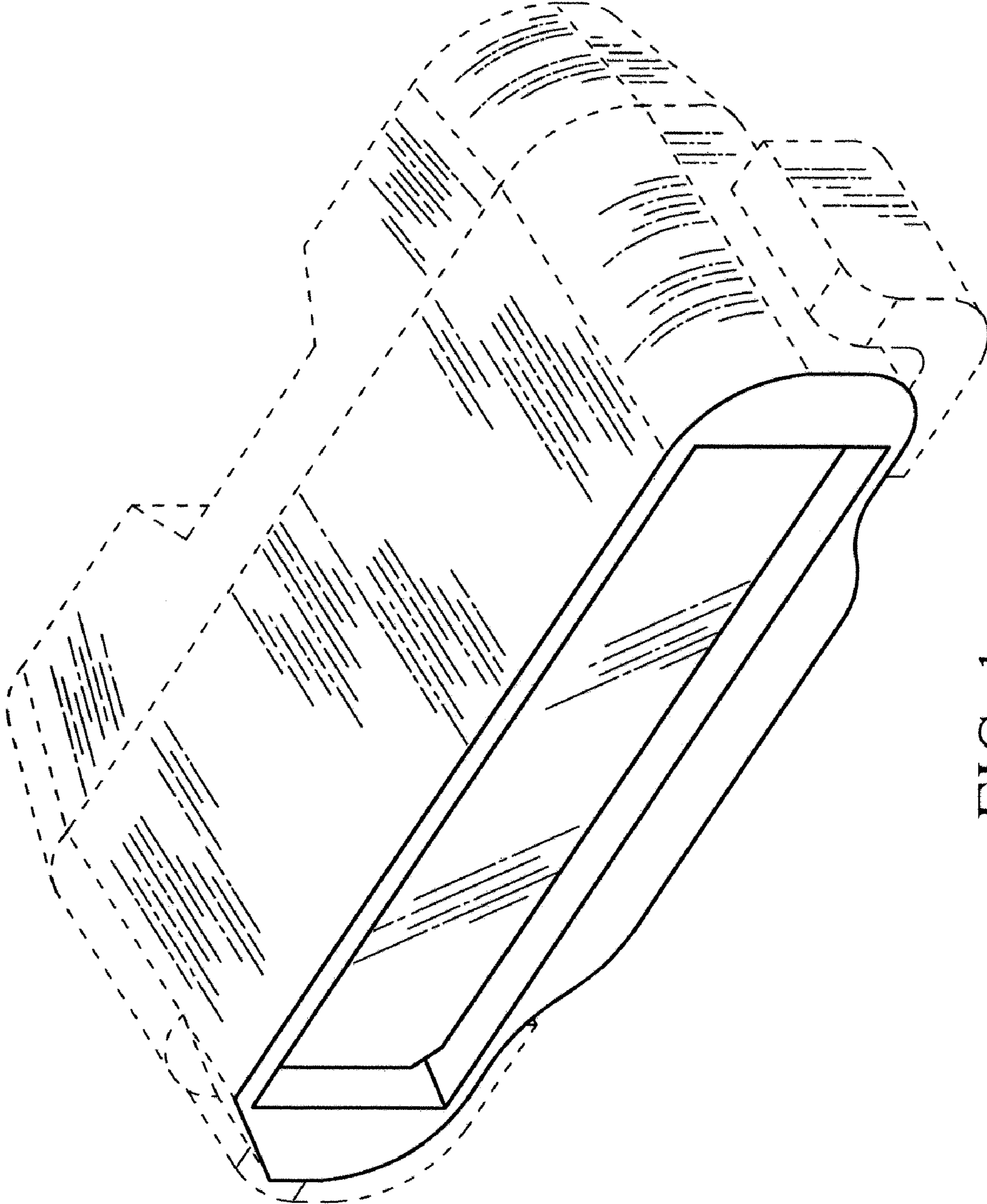


FIG. 1

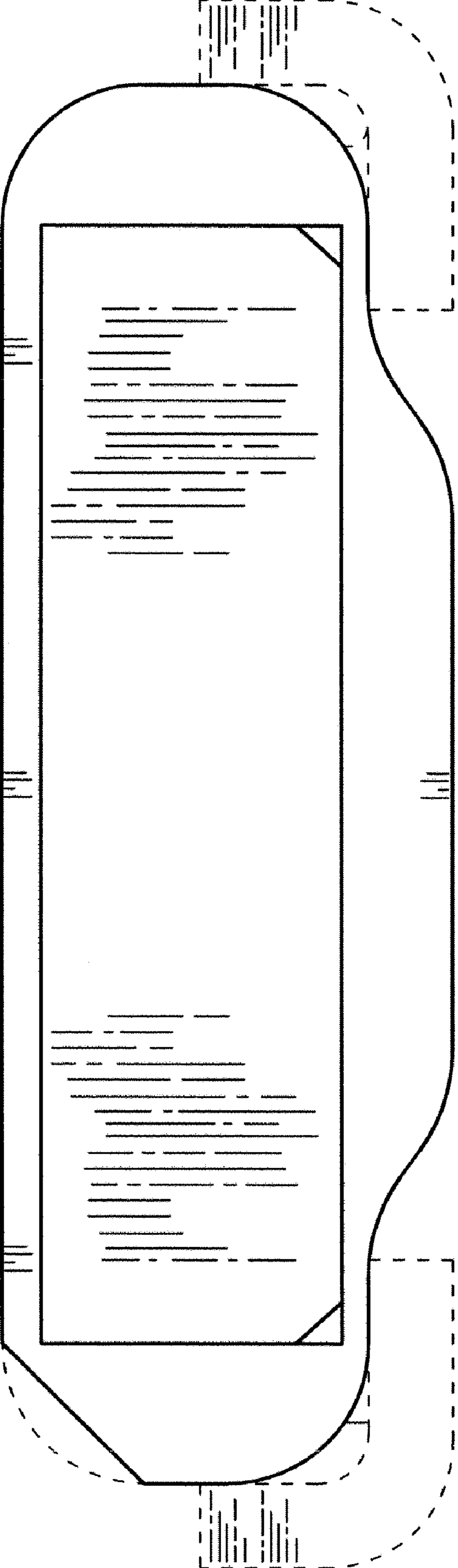


FIG. 2