



US00D551382S

(12) **United States Design Patent**  
**Curtin**

(10) **Patent No.:** **US D551,382 S**

(45) **Date of Patent:** **\*\* Sep. 18, 2007**

(54) **LIGHT FIXTURE**

(75) Inventor: **Brett Curtin**, Scottsdale, AZ (US)

(73) Assignee: **Craftmade International, Inc.**,  
Coppell, TX (US)

(\*\*) Term: **14 Years**

(21) Appl. No.: **29/267,432**

(22) Filed: **Oct. 13, 2006**

(51) **LOC (8) Cl.** ..... **26-03**

(52) **U.S. Cl.** ..... **D26/89; D26/91**

(58) **Field of Classification Search** ..... D26/59,  
D26/85, 88, 89, 91, 128, 130-136; D23/377,  
D23/379, 411; 416/5; 362/147, 350, 364,  
362/365, 404, 406, 408

See application file for complete search history.

(56) **References Cited**

**U.S. PATENT DOCUMENTS**

D339,653 S *	9/1993	Porter	.....	D26/130
D376,008 S *	11/1996	Chan	.....	D23/411
D414,860 S *	10/1999	Thomas, Jr.	.....	D23/411
D465,297 S *	11/2002	Thomas	.....	D26/83
D530,032 S *	10/2006	Tsuji	.....	D26/59

**OTHER PUBLICATIONS**

All Ceiling Lights on p. 94 of the Design House 1995 catalog.\*  
Ceiling Fixture model # 4916-FM on p. 112 of the Frederick  
Ramond 1991 catalog.\*  
All Ceiling fixtures on p. 166 of the Murray Feiss 2005 catalog.\*

\* cited by examiner

*Primary Examiner*—Clare E Heflin

(74) *Attorney, Agent, or Firm*—Munsch Hardt Kopf & Harr,  
P.C.

(57) **CLAIM**

The ornamental design for a light fixture, as shown and  
described.

**DESCRIPTION**

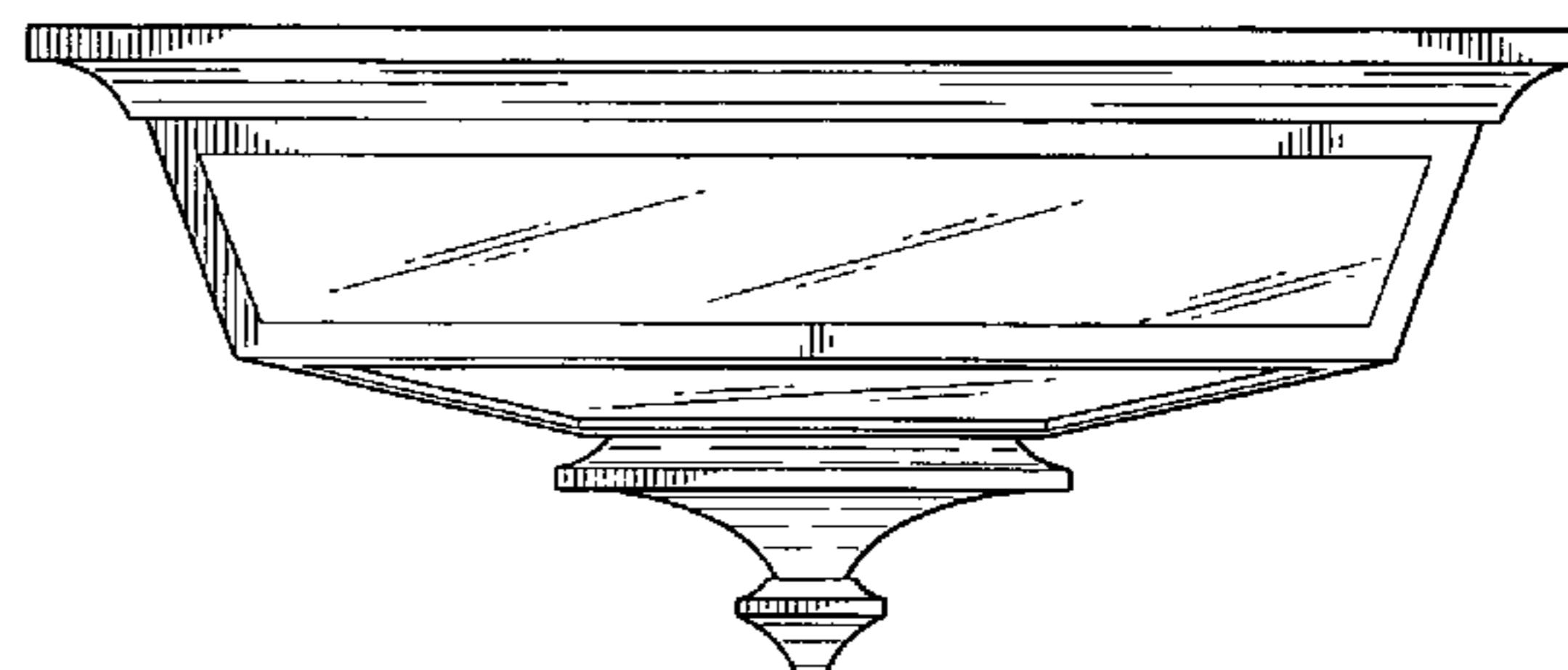
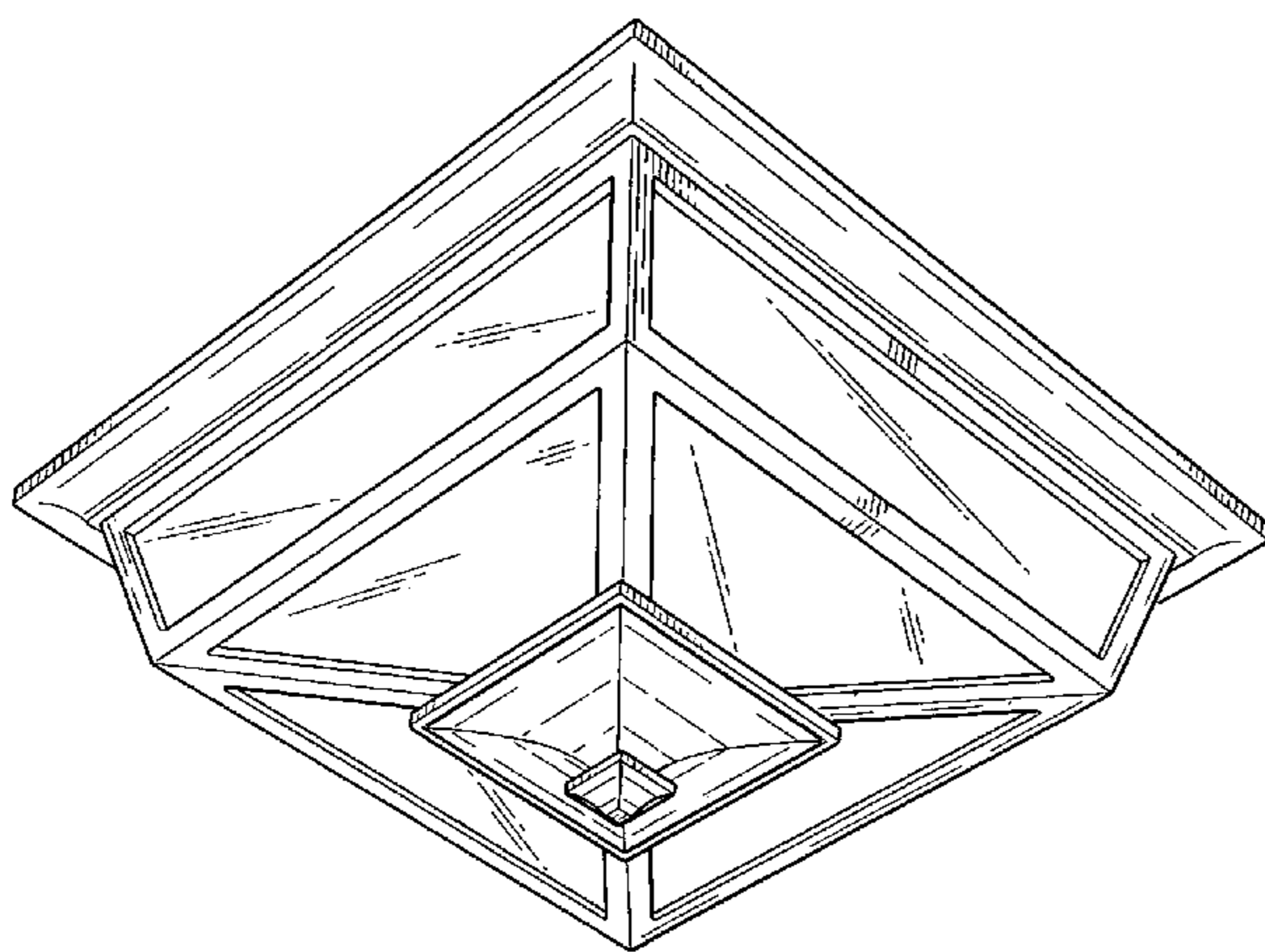
FIG. 1 is a perspective view of the light fixture showing my  
new design;

FIG. 2 front elevational view thereof, rear being a mirror  
image;

FIG. 3 is a right side elevational view thereof, the left side  
being a mirror image; and,

FIG. 4 is a bottom plan view thereof.

**1 Claim, 2 Drawing Sheets**



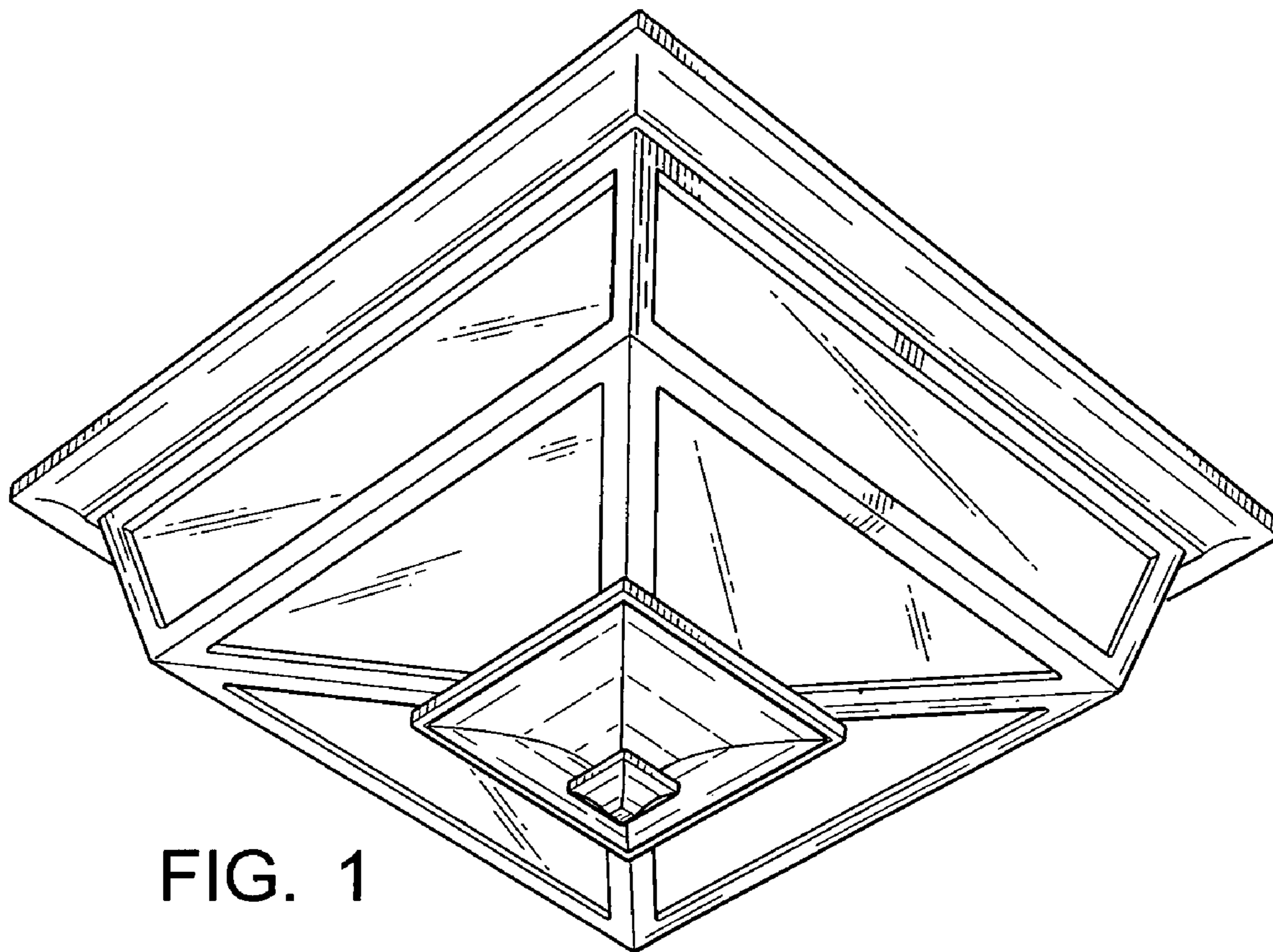


FIG. 1

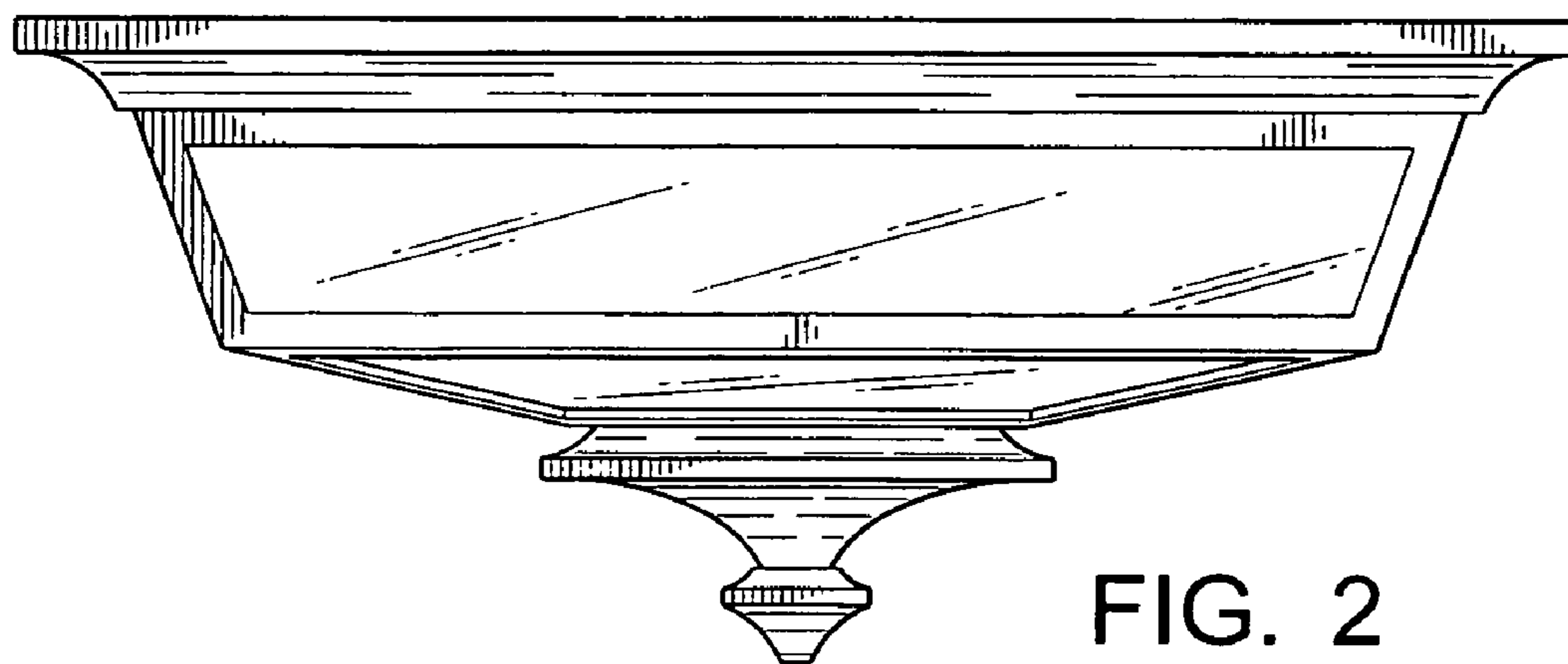


FIG. 2

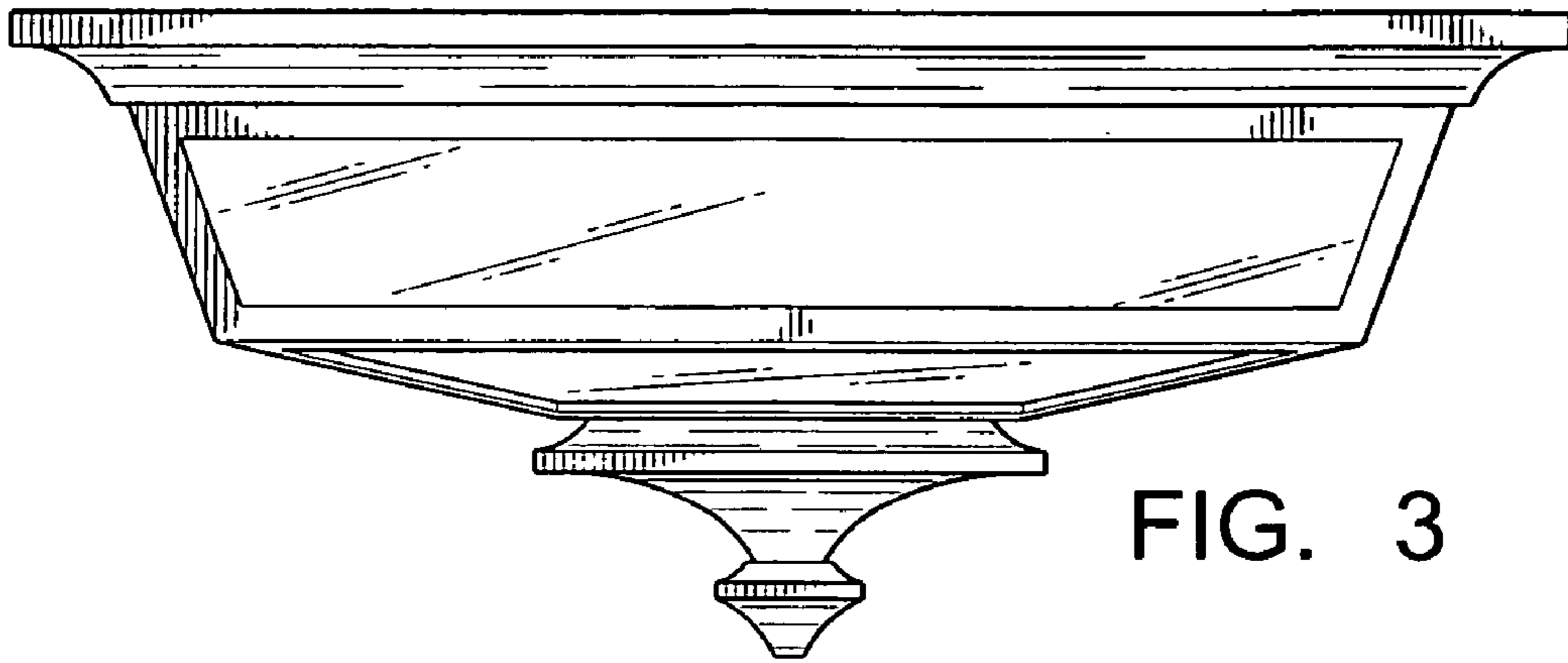


FIG. 3

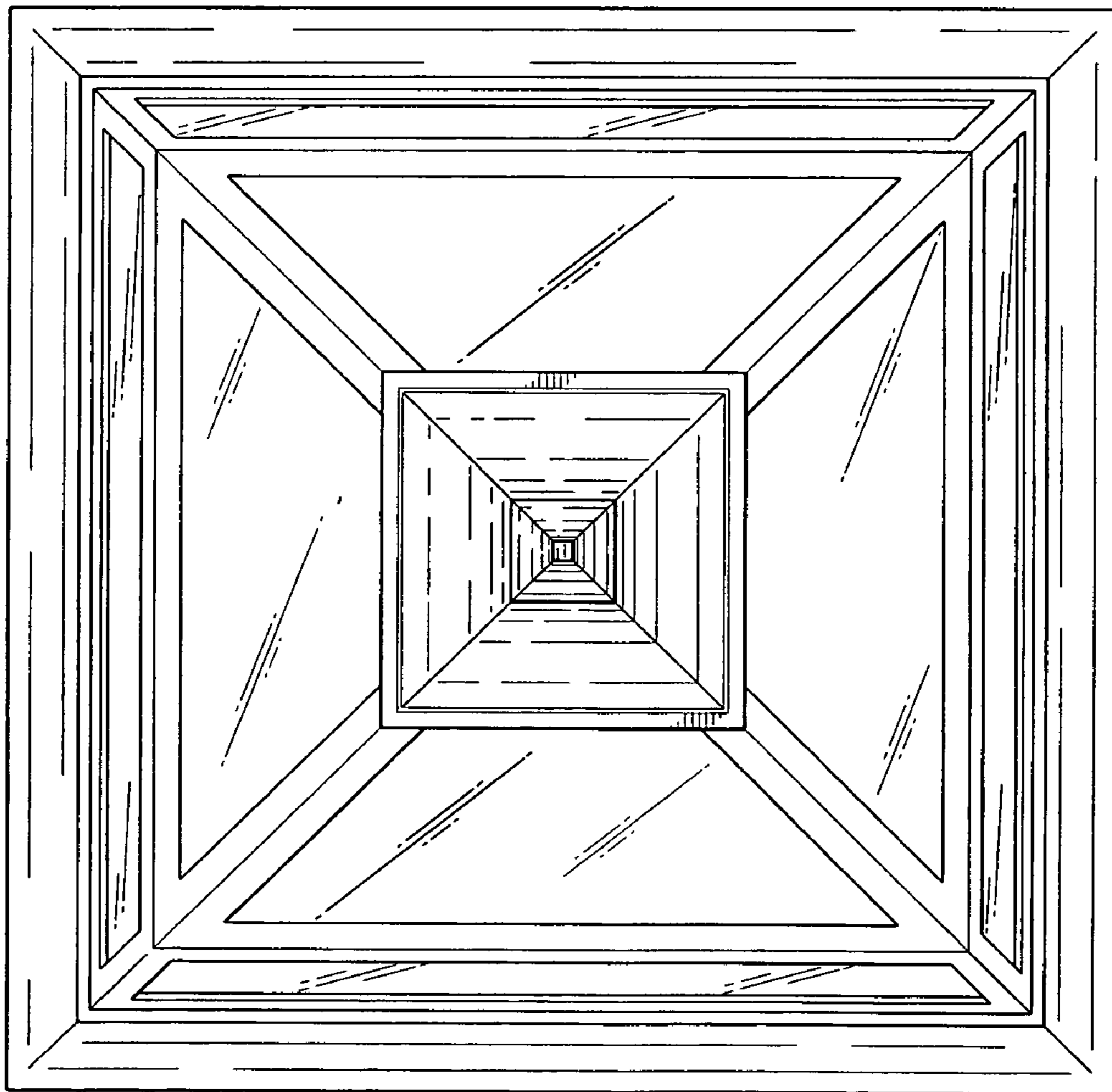


FIG. 4