



US00D551377S

(12) **United States Design Patent**
Nunes

(10) **Patent No.:** **US D551,377 S**
(45) **Date of Patent:** **** Sep. 18, 2007**

(54) **SCHOOL BUS-SIMULATING LIGHTING
FIXTURE**

(75) Inventor: **Brendon Nunes**, Ajax (CA)

(73) Assignee: **Trintec Industries, Inc.**, Ajax, Ontario
(CA)

(**) Term: **14 Years**

(21) Appl. No.: **29/256,222**

(22) Filed: **Mar. 20, 2006**

(51) **LOC (8) Cl.** **26-05**

(52) **U.S. Cl.** **D26/73; D26/97**

(58) **Field of Classification Search** D26/4,
D26/26, 57, 73, 94, 97, 101; 362/147, 644,
362/653, 806, 812

See application file for complete search history.

(56) **References Cited**

U.S. PATENT DOCUMENTS

D152,390 S *	1/1949	Brenner	D26/97
D262,391 S *	12/1981	Kanaoki	D21/552
D274,637 S *	7/1984	Terui et al.	D21/552
D308,113 S *	5/1990	Lewis, Jr.	D26/73
D481,153 S *	10/2003	Wilson	D26/97
D488,883 S	4/2004	Davis		

OTHER PUBLICATIONS

Lamps Plus [www.lampsplus.com] Fire Truck Table Lamp (45652);
Bulldozer Table Lamp (45742).

School Bus Toys; <http://store.shop72.com>.
School Bus Light-Up Key Chains; ebay.com (violelpilots).
School Bus Photo Frame; www.findgift.com.

* cited by examiner

Primary Examiner—Clare E Heflin

(57) **CLAIM**

The ornamental design for a school bus-simulating lighting
fixture, as shown and described.

DESCRIPTION

FIG. 1 is a top-side perspective view of a school bus-
simulating lighting fixture showing my new design;

FIG. 2 is a front elevational view;

FIG. 3 is a left side elevational view thereof, the opposite
side being plain and unornamented;

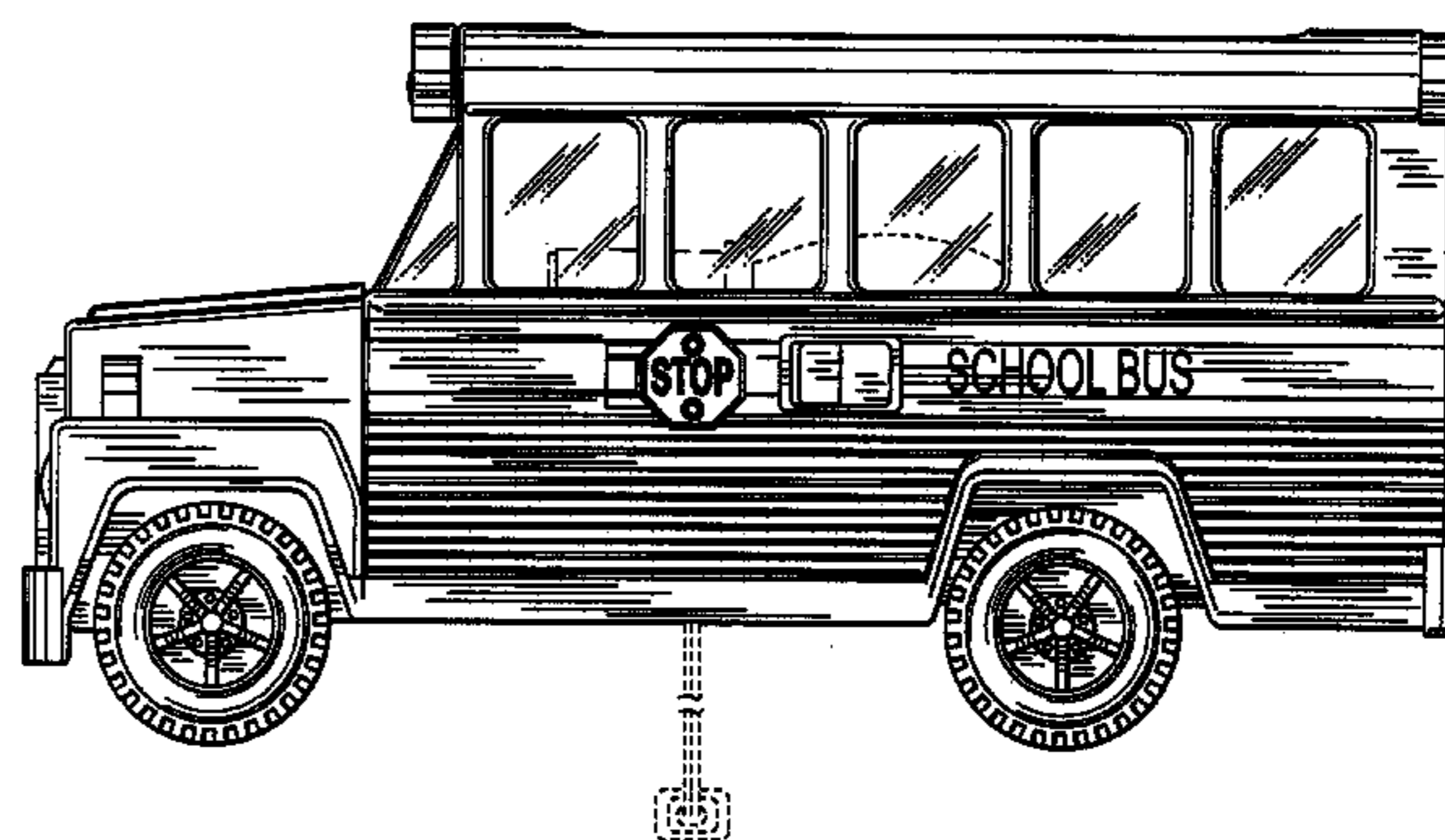
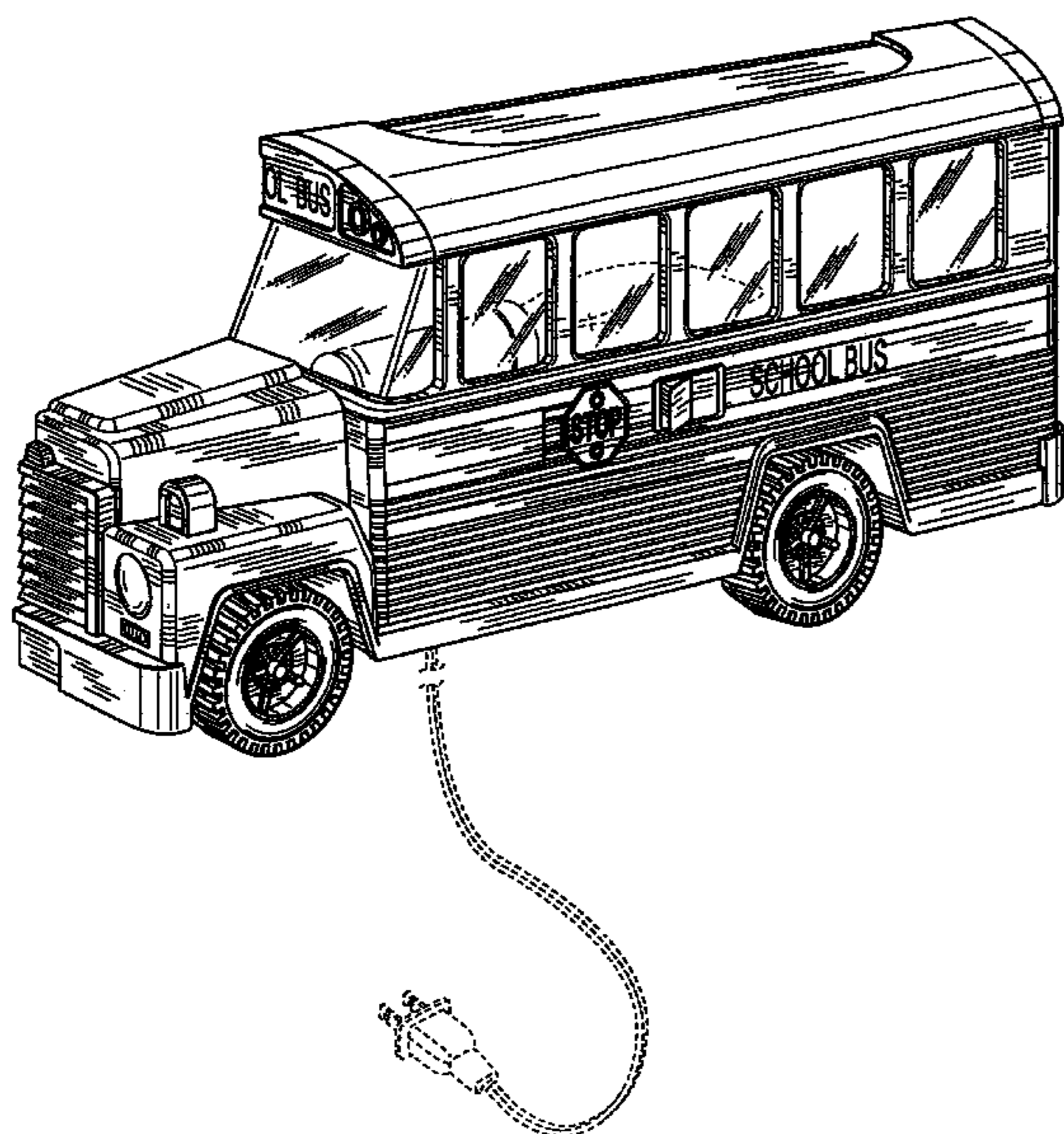
FIG. 4 is a rear elevational view thereof;

FIG. 5 is a top plan view thereof; and,

FIG. 6 is a bottom plan view.

The portions of the drawings provided by broken line are
intended to reflect environment, and do not form a part of the
indicated embodiment of my design.

1 Claim, 4 Drawing Sheets



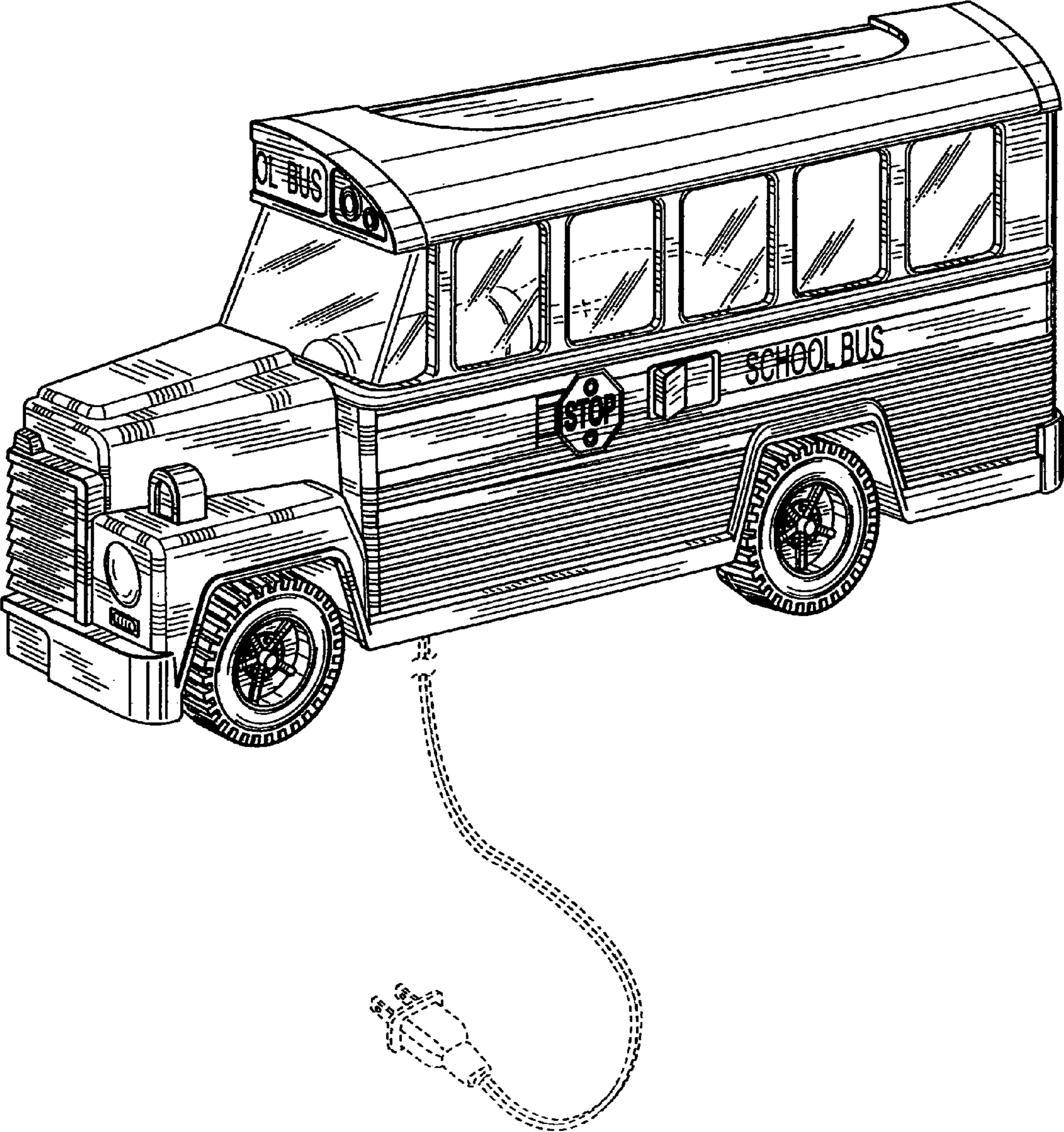


FIG. 1

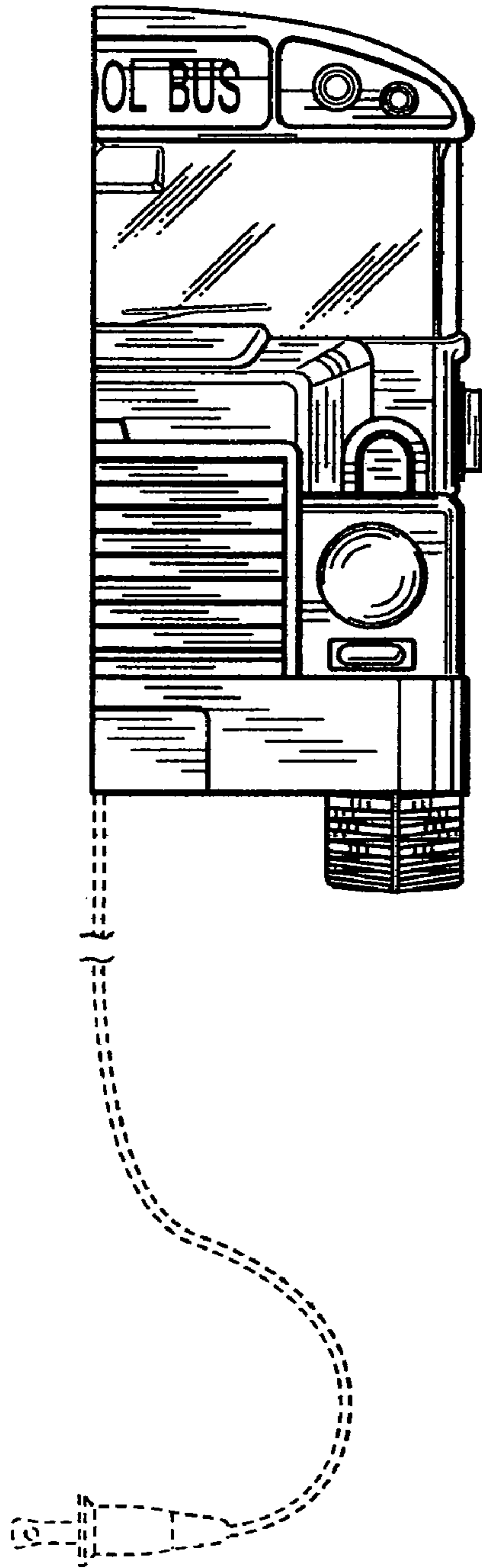


FIG. 2

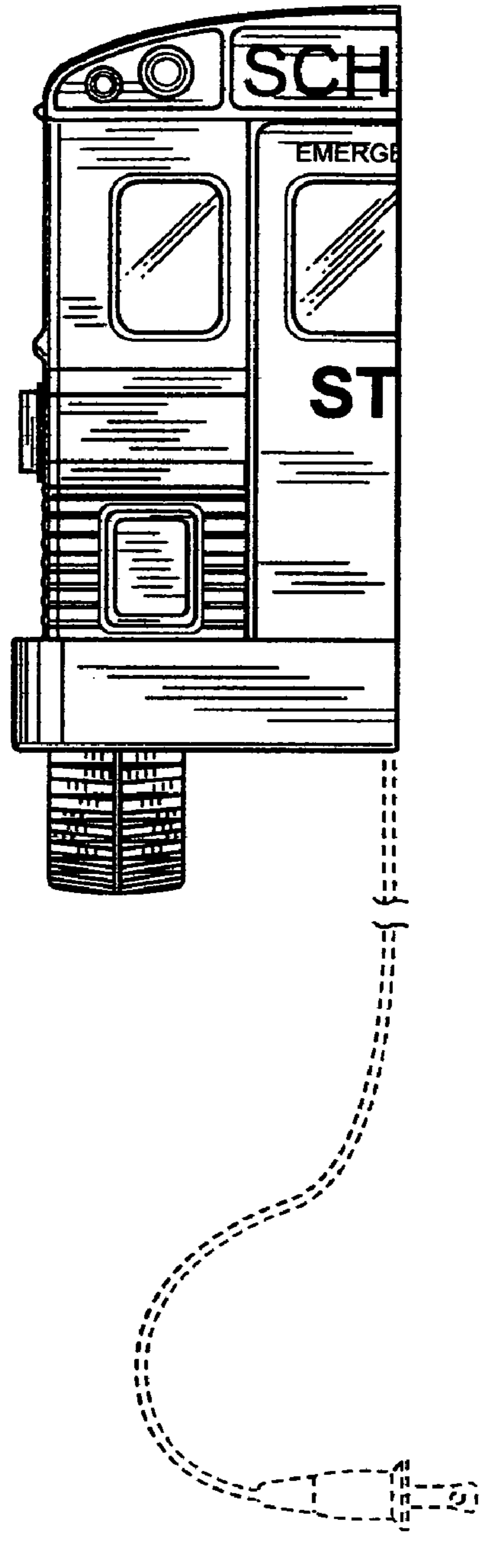


FIG. 4

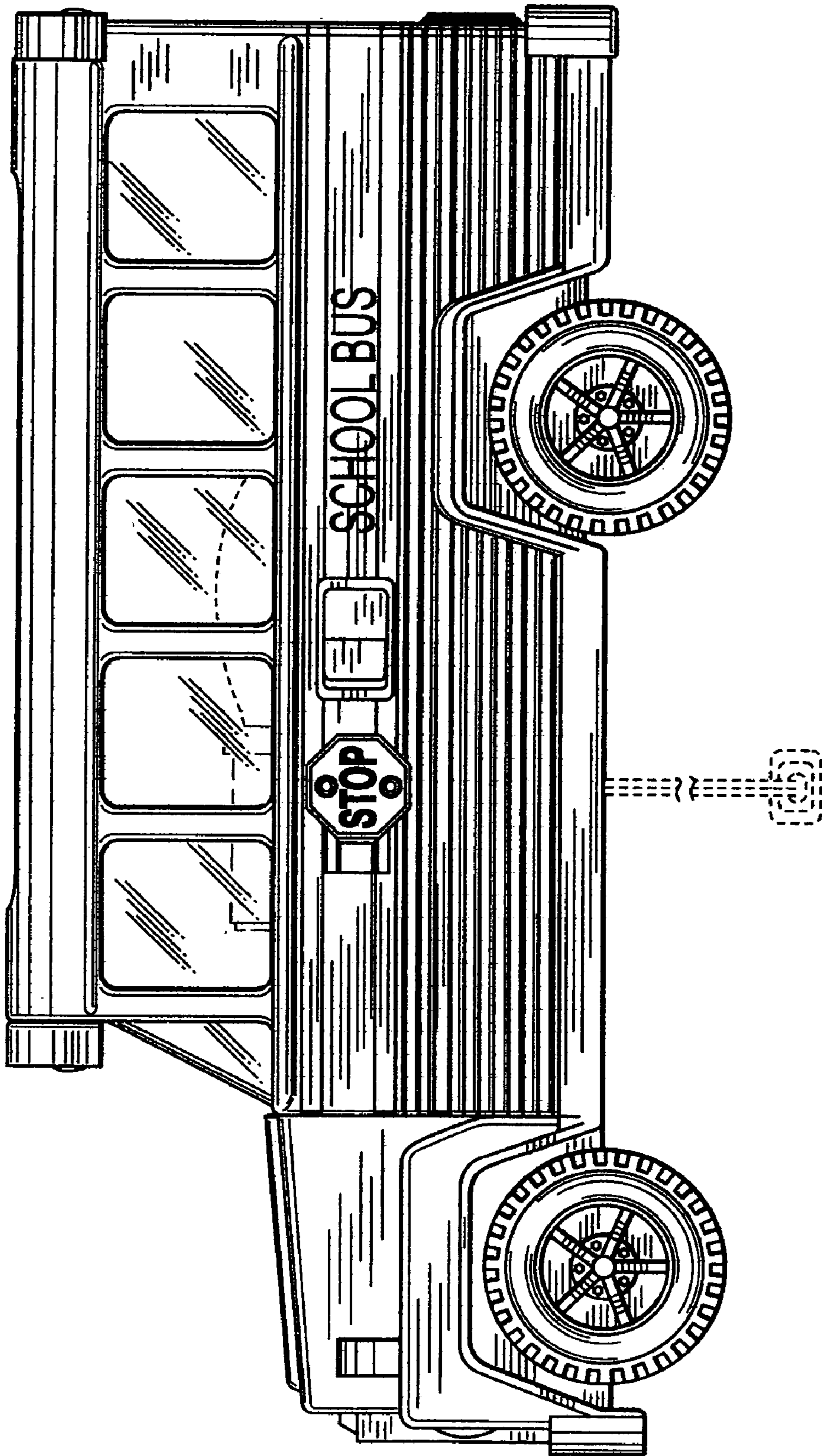


FIG. 3

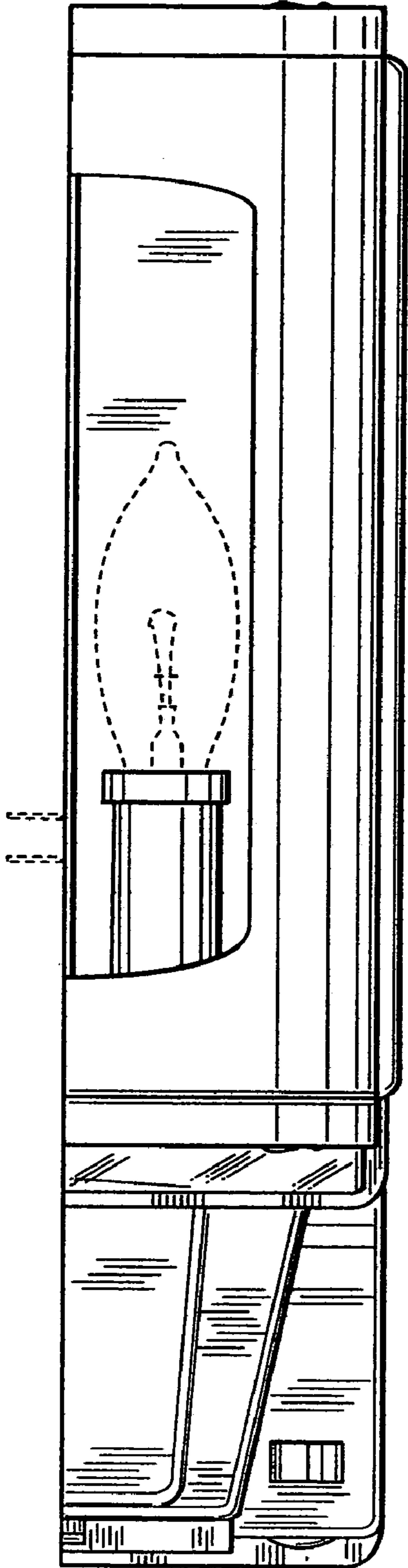


FIG. 5

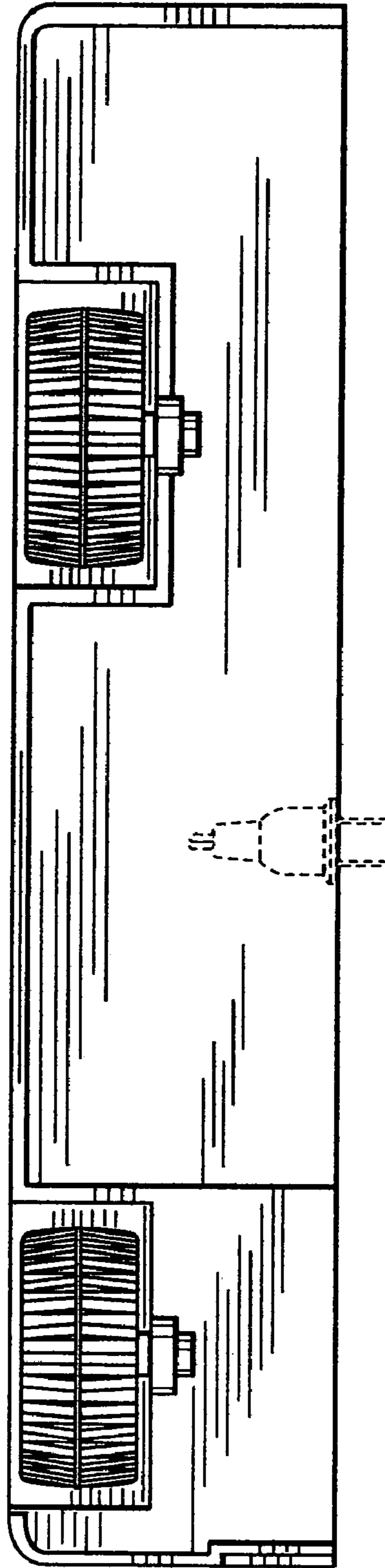


FIG. 6