



US00D551372S

(12) **United States Design Patent**
Korpi

(10) **Patent No.:** **US D551,372 S**

(45) **Date of Patent:** **** Sep. 18, 2007**

(54) **WORKLIGHT**

(75) Inventor: **Jari Korpi**, Helsinki (FI)

(73) Assignee: **Oy B Herrmans AB**, Pietarsaari (FI)

(**) Term: **14 Years**

(21) Appl. No.: **29/267,779**

(22) Filed: **Oct. 20, 2006**

(30) **Foreign Application Priority Data**

Apr. 21, 2006 (EM) 000515416

(51) **LOC (8) Cl.** **26-05**

(52) **U.S. Cl.** **D26/63**

(58) **Field of Classification Search** D26/61,
D26/63, 66, 71, 72; 362/269-271, 273, 285,
362/287, 289, 372, 396, 418, 426, 427, 430,
362/648, 650

See application file for complete search history.

(56) **References Cited**

U.S. PATENT DOCUMENTS

RE23,193 E * 1/1950 Packer et al. 362/371

D300,864 S * 4/1989 Titmarsh D26/63
D307,188 S * 4/1990 Denney et al. D26/63
5,086,379 A * 2/1992 Denison et al. 362/430
D360,961 S * 8/1995 Czerlanis et al. D26/63

* cited by examiner

Primary Examiner—Clare E Heflin

(74) *Attorney, Agent, or Firm*—Klauber & Jackson

(57) **CLAIM**

The ornamental design for a worklight, as shown and described.

DESCRIPTION

FIG. 1 is a lower perspective view showing the right side, the front and the bottom of the worklight of my new design;

FIG. 2 is a front view thereof;

FIG. 3 is a back view thereof;

FIG. 4 is a left side view thereof;

FIG. 5 is a right side view thereof;

FIG. 6 is a bottom view thereof; and,

FIG. 7 is a top view of the claimed design.

1 Claim, 2 Drawing Sheets

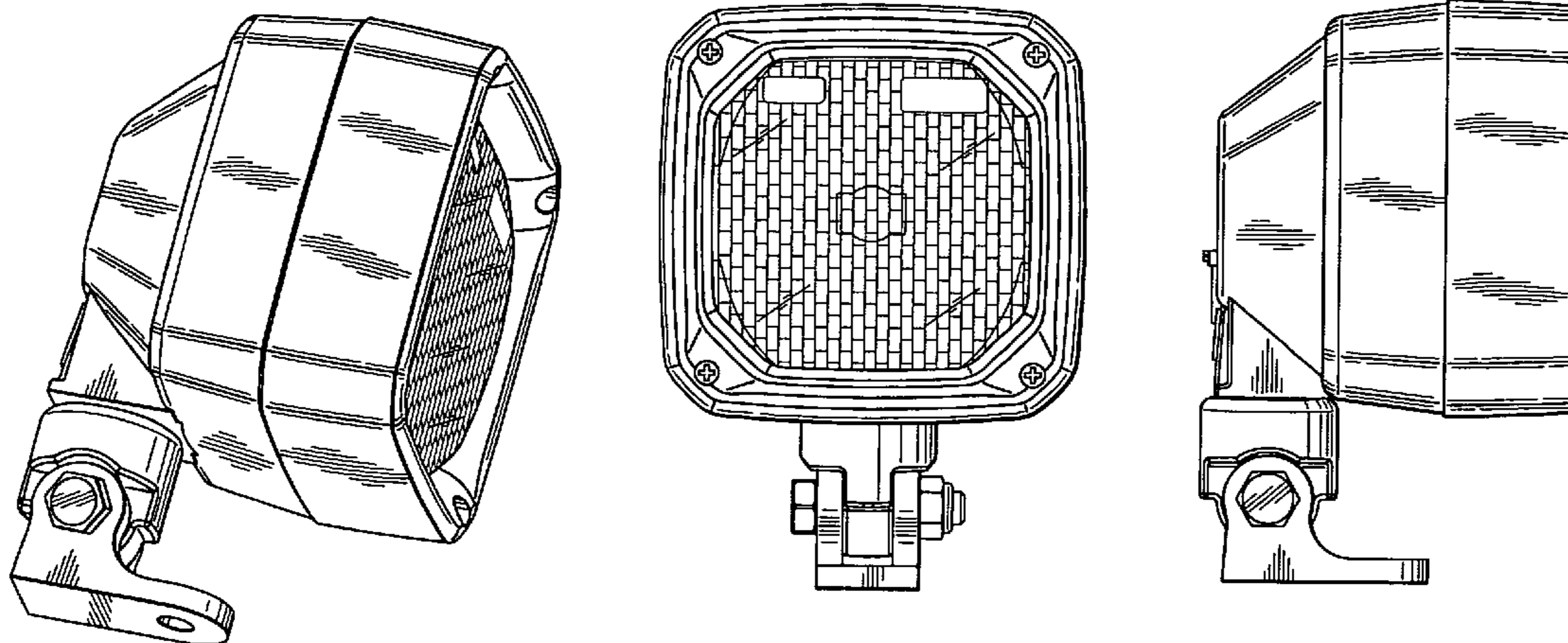


Fig. 1

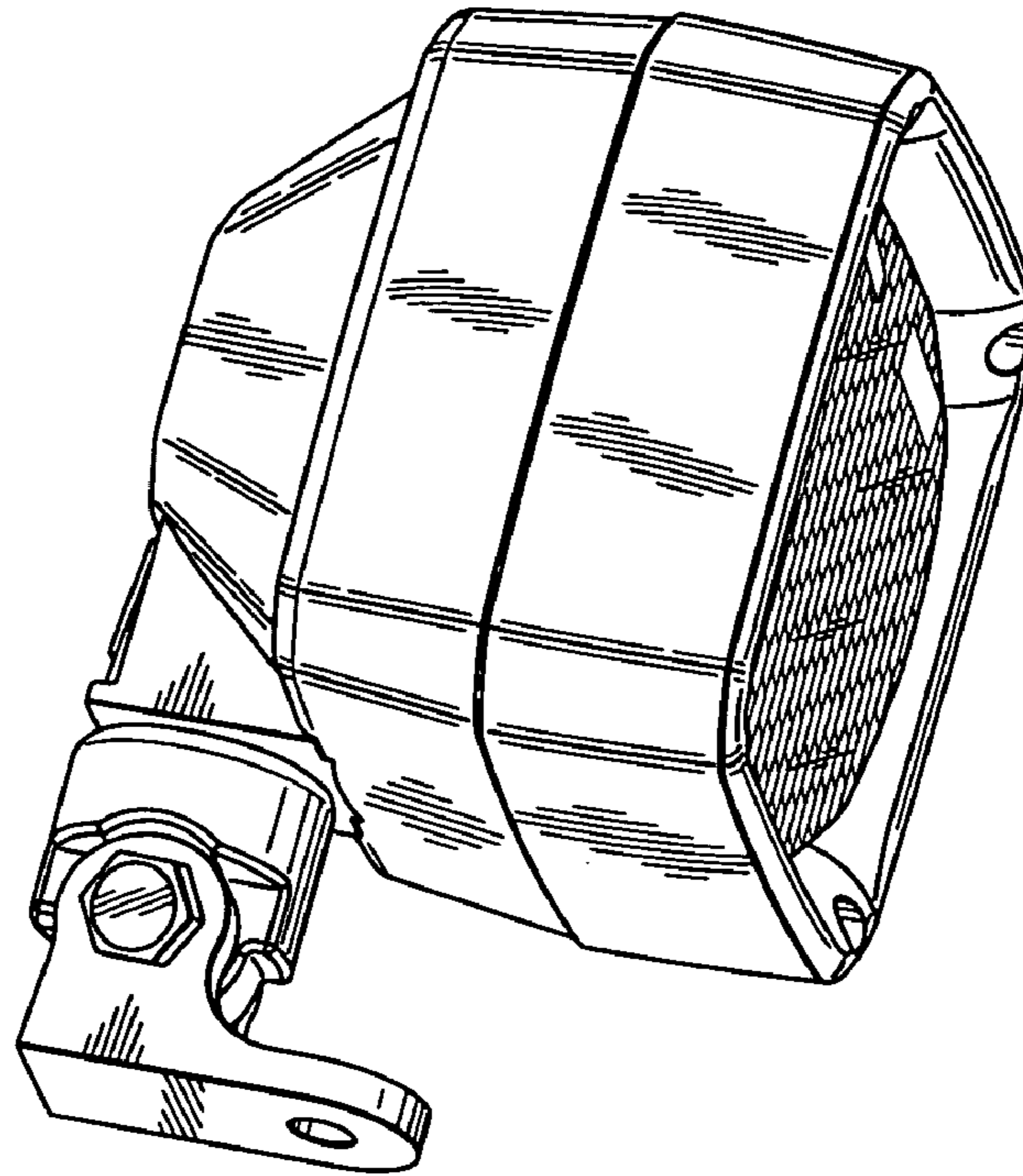


Fig. 2

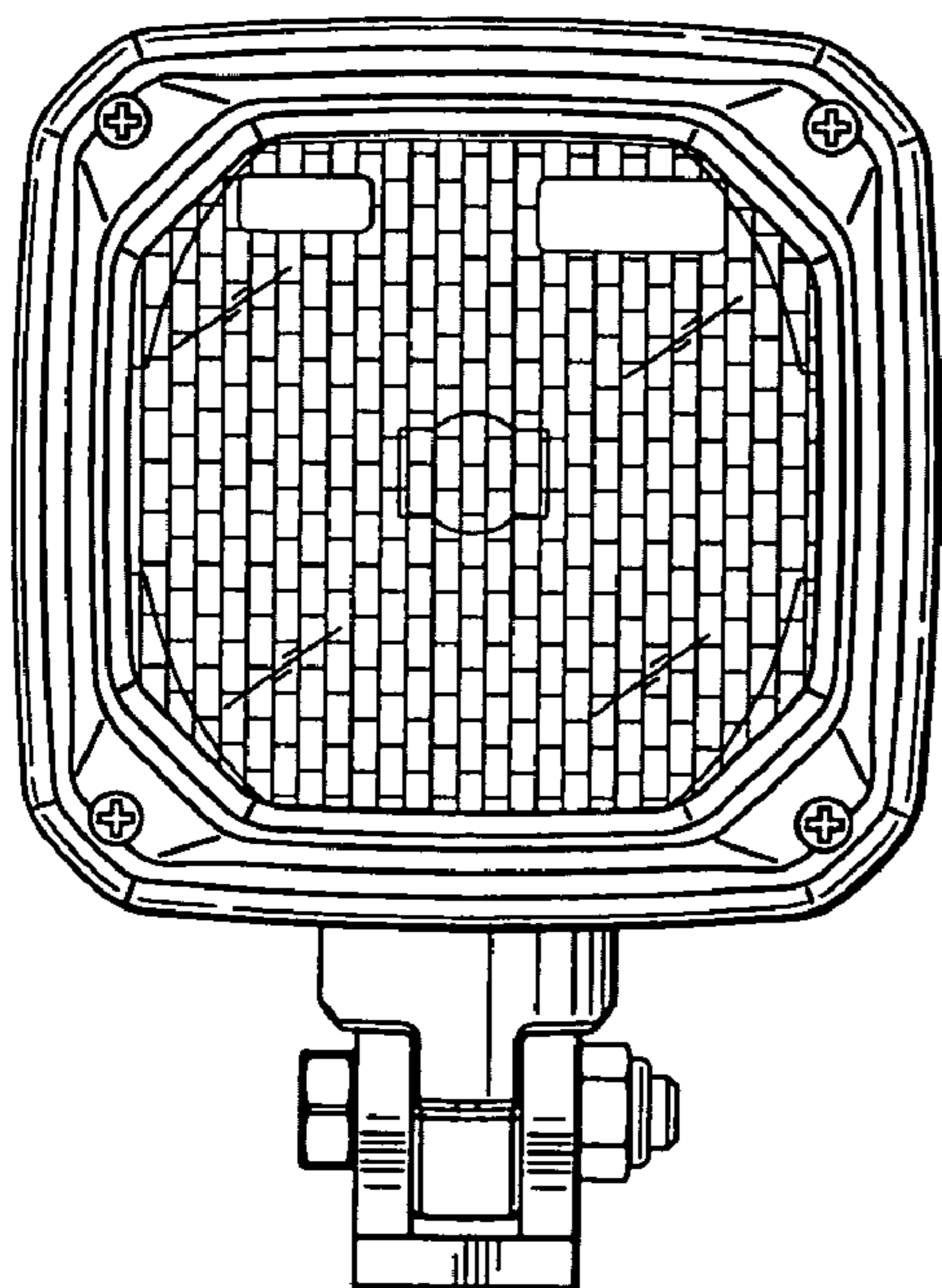


Fig. 3

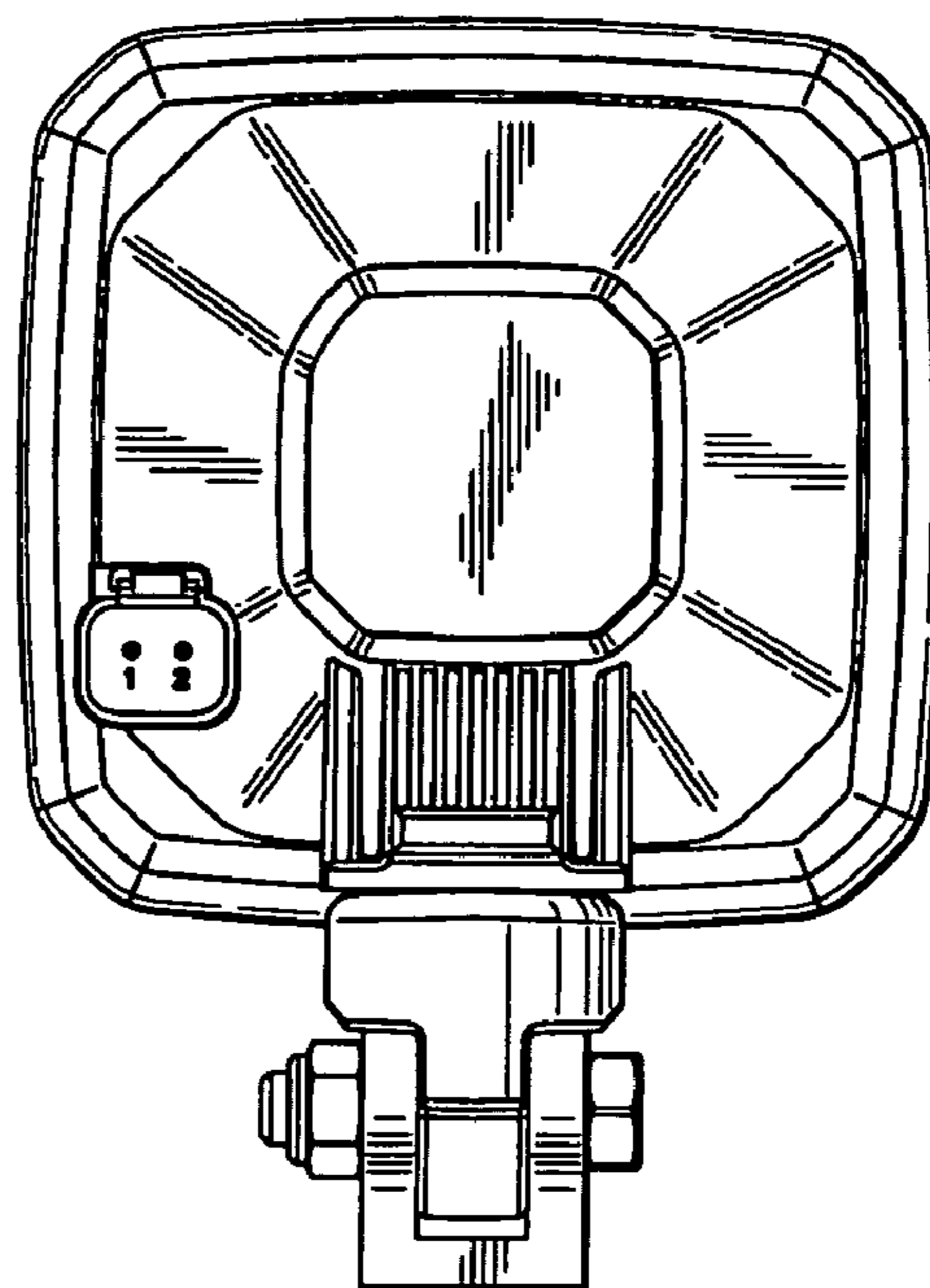


Fig. 4

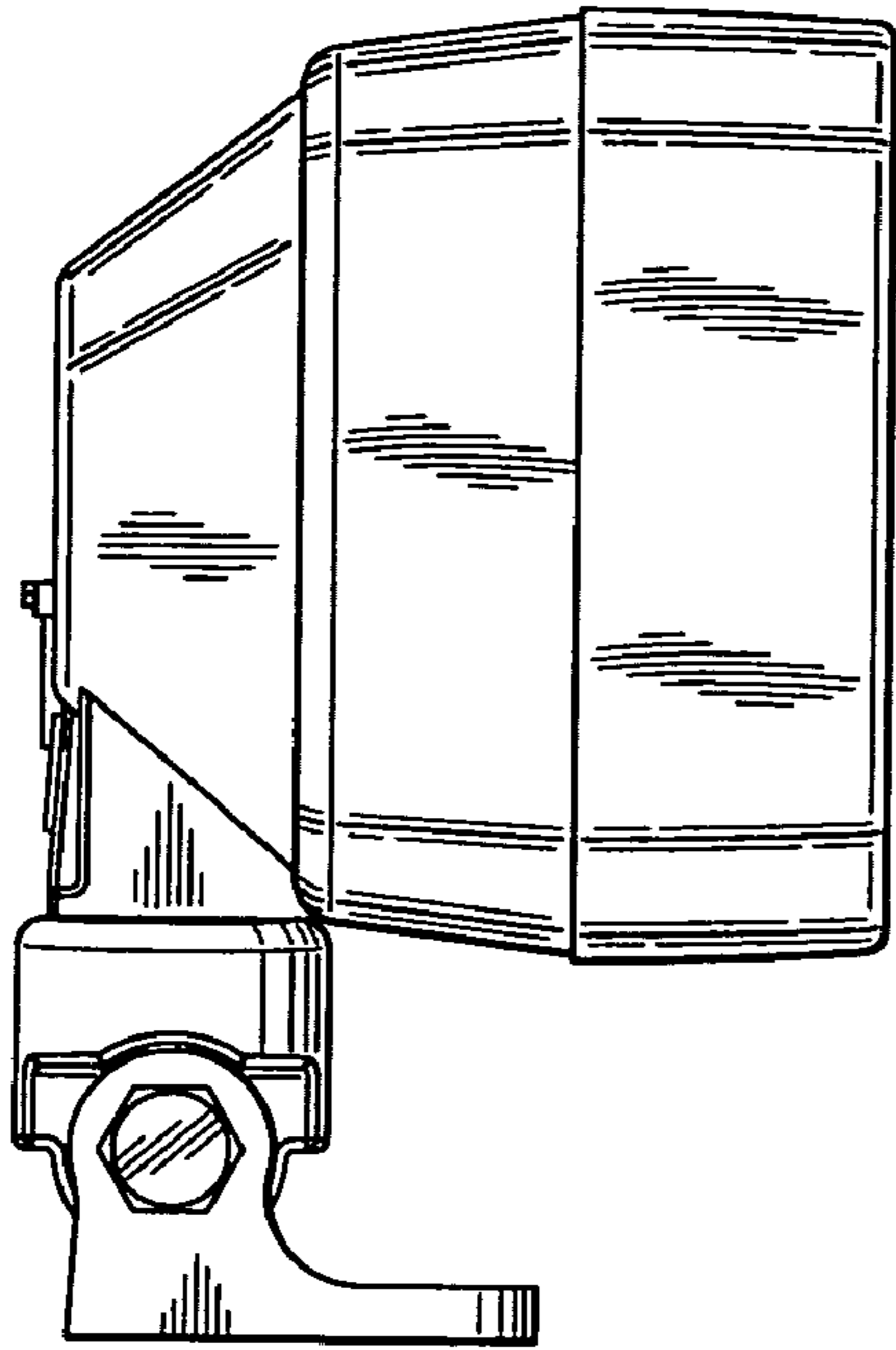


Fig. 5

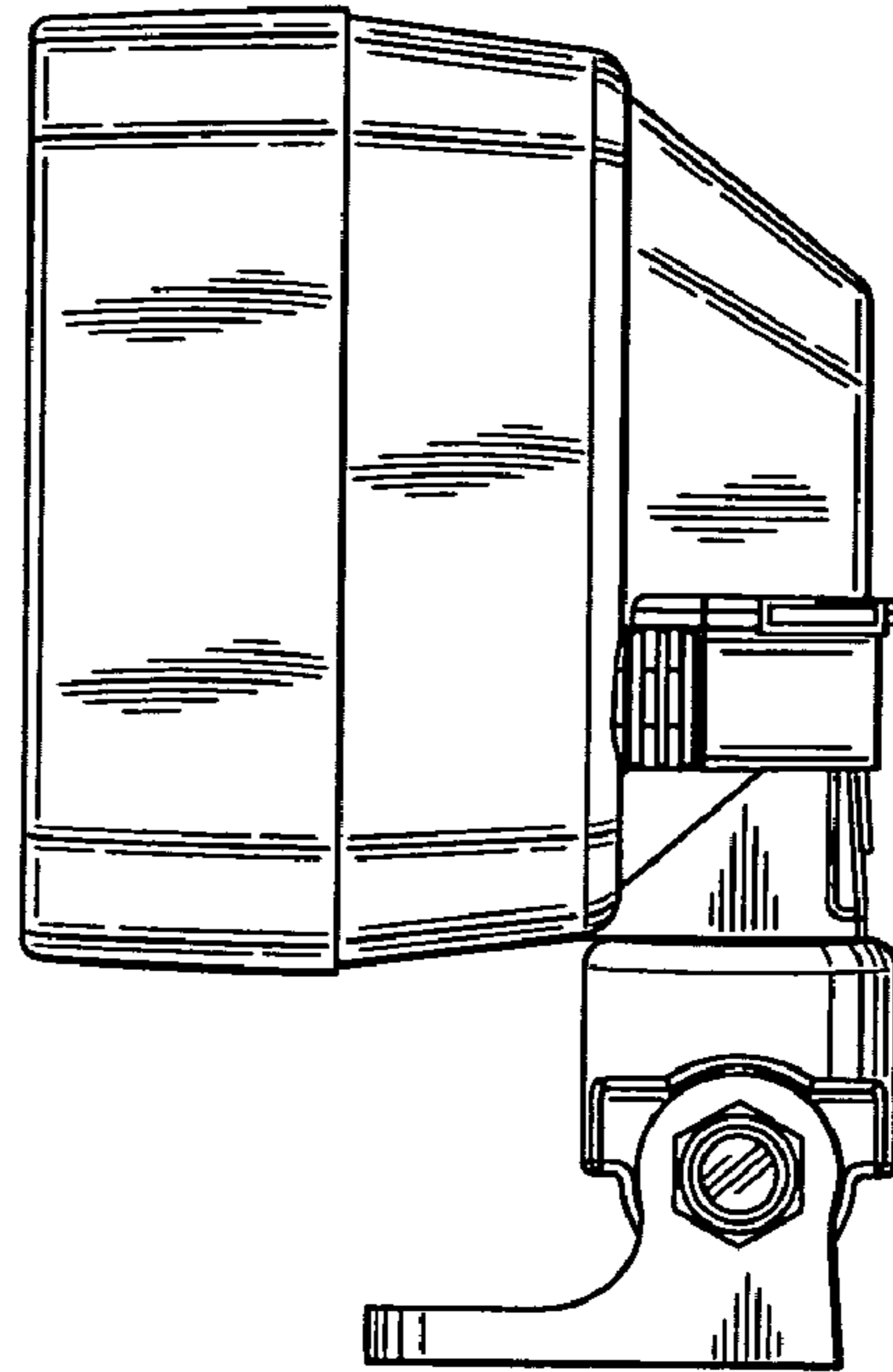


Fig. 6

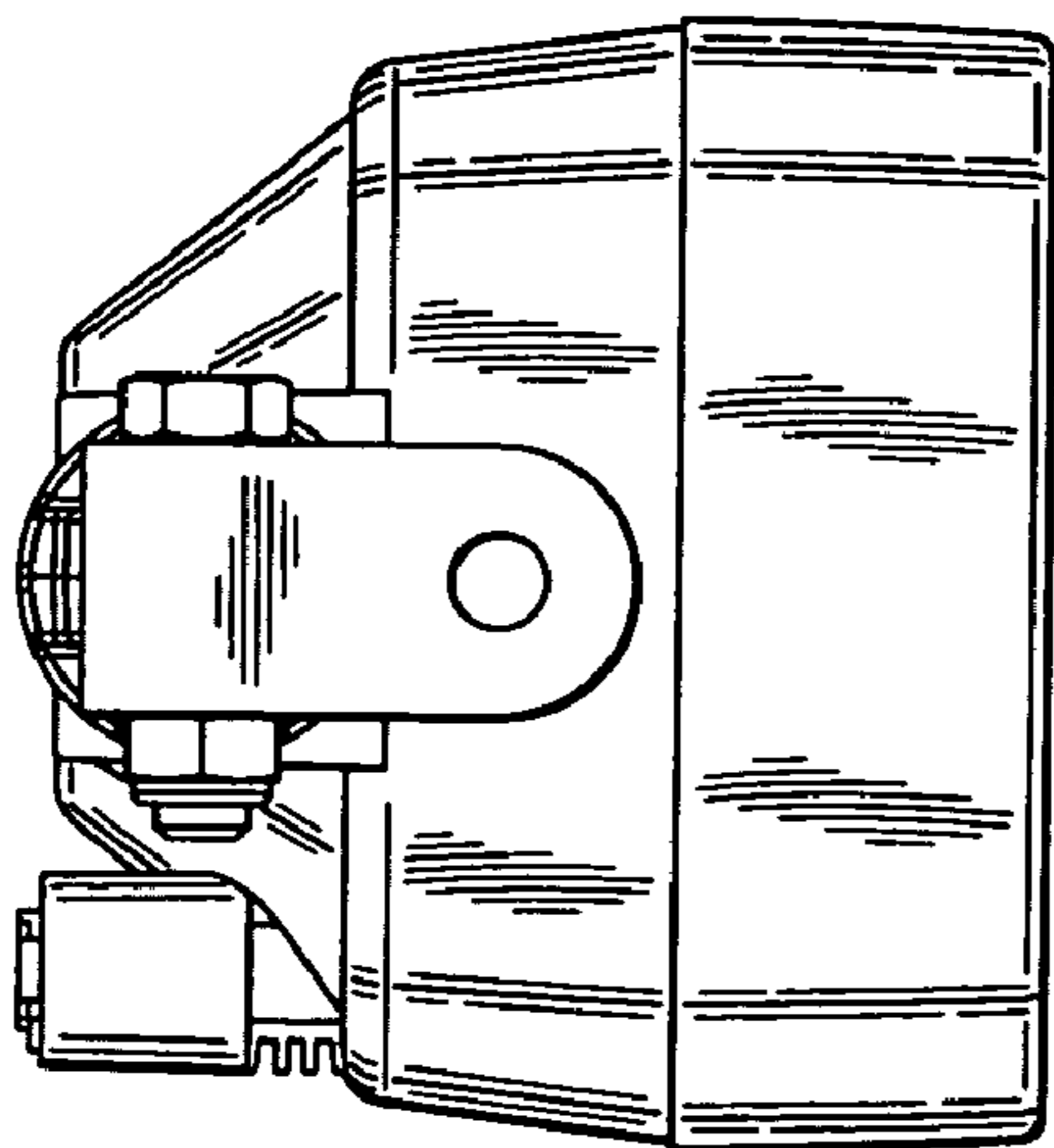


Fig. 7

