



US00D551371S

(12) **United States Design Patent**
Brown et al.

(10) **Patent No.:** **US D551,371 S**

(45) **Date of Patent:** **** Sep. 18, 2007**

(54) **LIGHTING DEVICE**

(75) Inventors: **John R. Brown**, Mosman (AU);
Timothy Rugendyke, Lakemba (AU)

(73) Assignee: **Eveready Battery Company, Inc.**, St.
Louis, MO (US)

(**) Term: **14 Years**

(21) Appl. No.: **29/268,992**

(22) Filed: **Nov. 17, 2006**

(30) **Foreign Application Priority Data**

May 19, 2006 (AU) 12207/06

(51) **LOC (8) Cl.** **26-02**

(52) **U.S. Cl.** **D26/49**

(58) **Field of Classification Search** D26/37,
D26/38, 41, 46, 49, 50; 362/157, 158, 183,
362/190, 191, 194, 195, 196, 197, 201, 202,
362/203, 205, 208

See application file for complete search history.

(56) **References Cited**

U.S. PATENT DOCUMENTS

D360,045 S * 7/1995 Inukai D26/49
D397,464 S * 8/1998 Concari et al. D26/37
D421,145 S * 2/2000 Man D26/49
D426,906 S * 6/2000 Nakagawa et al. D26/49

D472,006 S * 3/2003 Fritz D26/49
D479,014 S * 8/2003 Yamamoto et al. D26/49
D488,876 S * 4/2004 Kotani D26/49
D520,167 S * 5/2006 Garrity D26/49

* cited by examiner

Primary Examiner—Ian Simmons

Assistant Examiner—Carissa C Fitts

(74) *Attorney, Agent, or Firm*—Gregory J. Adams

(57) **CLAIM**

The ornamental design for a lighting device, as shown and described.

DESCRIPTION

FIG. 1 is a view showing the front perspective of the lighting device of the present invention;

FIG. 2 is a top view of the lighting device of the present invention;

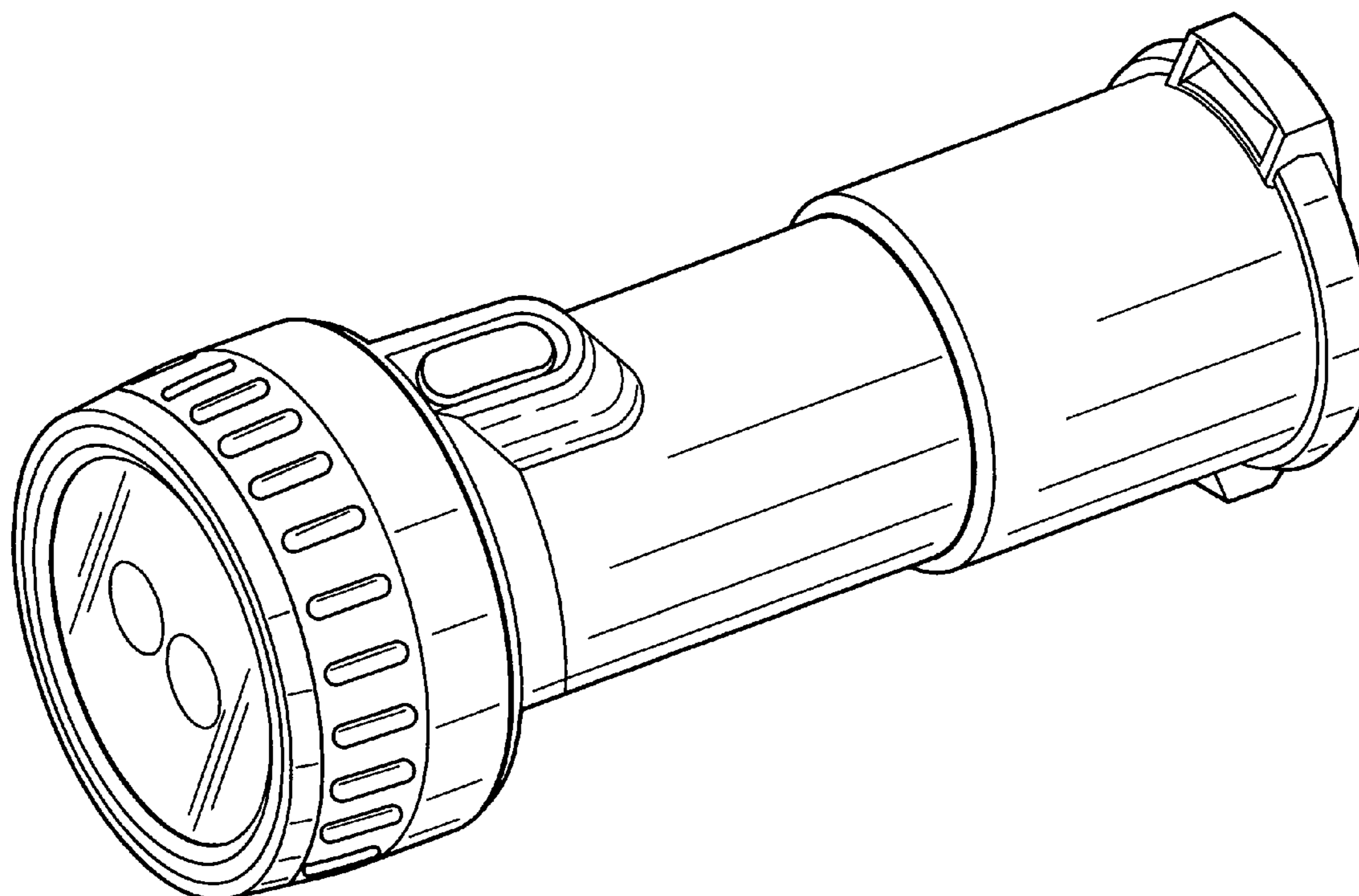
FIG. 3 is a bottom view of the lighting device of the present invention;

FIG. 4 is a left side view of the lighting device of the present invention;

FIG. 5 is a front view of the lighting device of the present invention; and,

FIG. 6 is a rear view of the lighting device of the present invention.

1 Claim, 5 Drawing Sheets



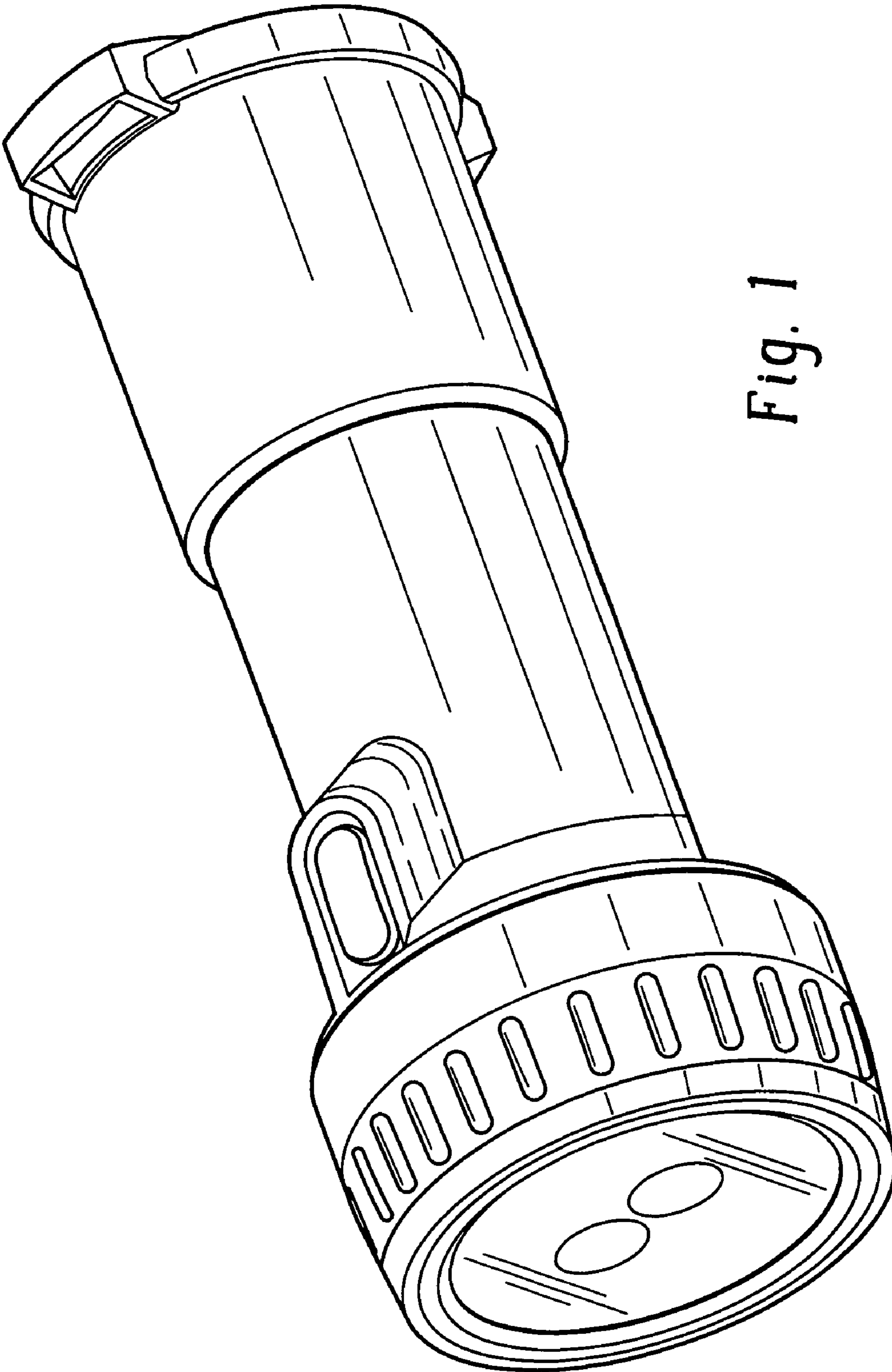


Fig. 1

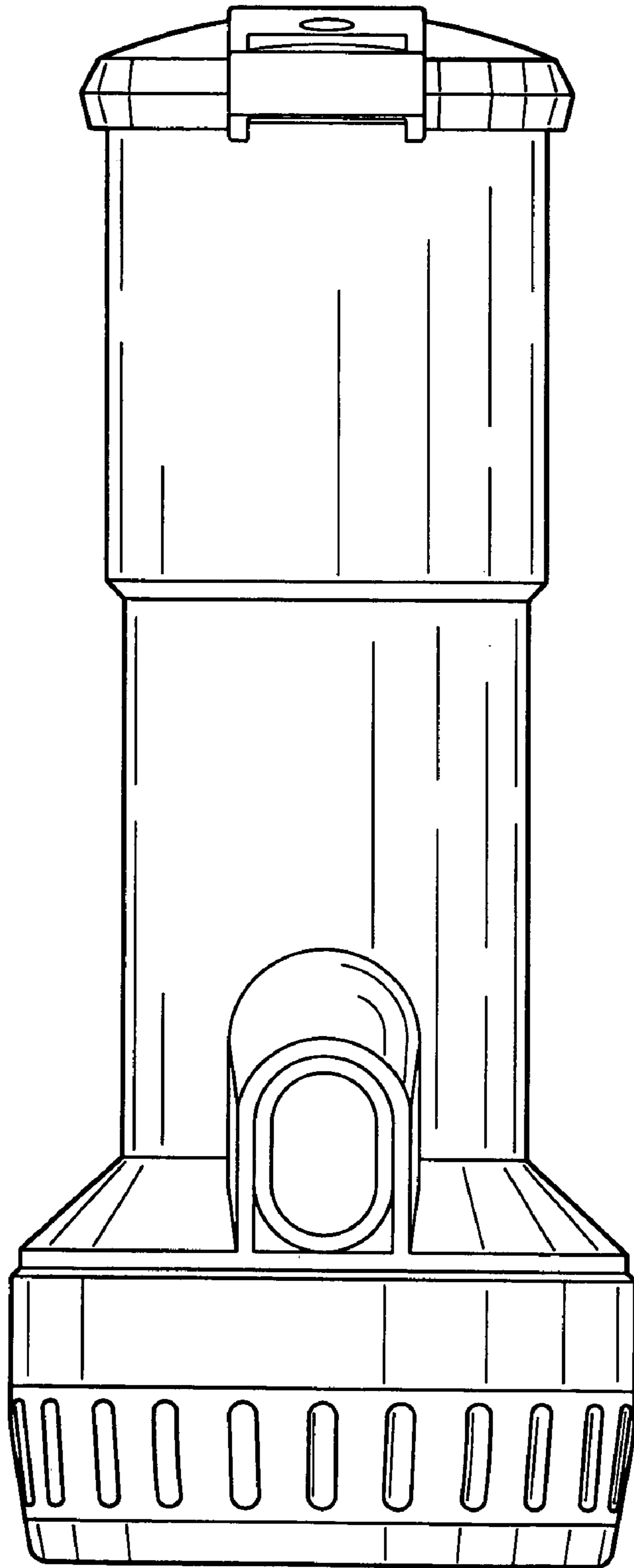


Fig. 2

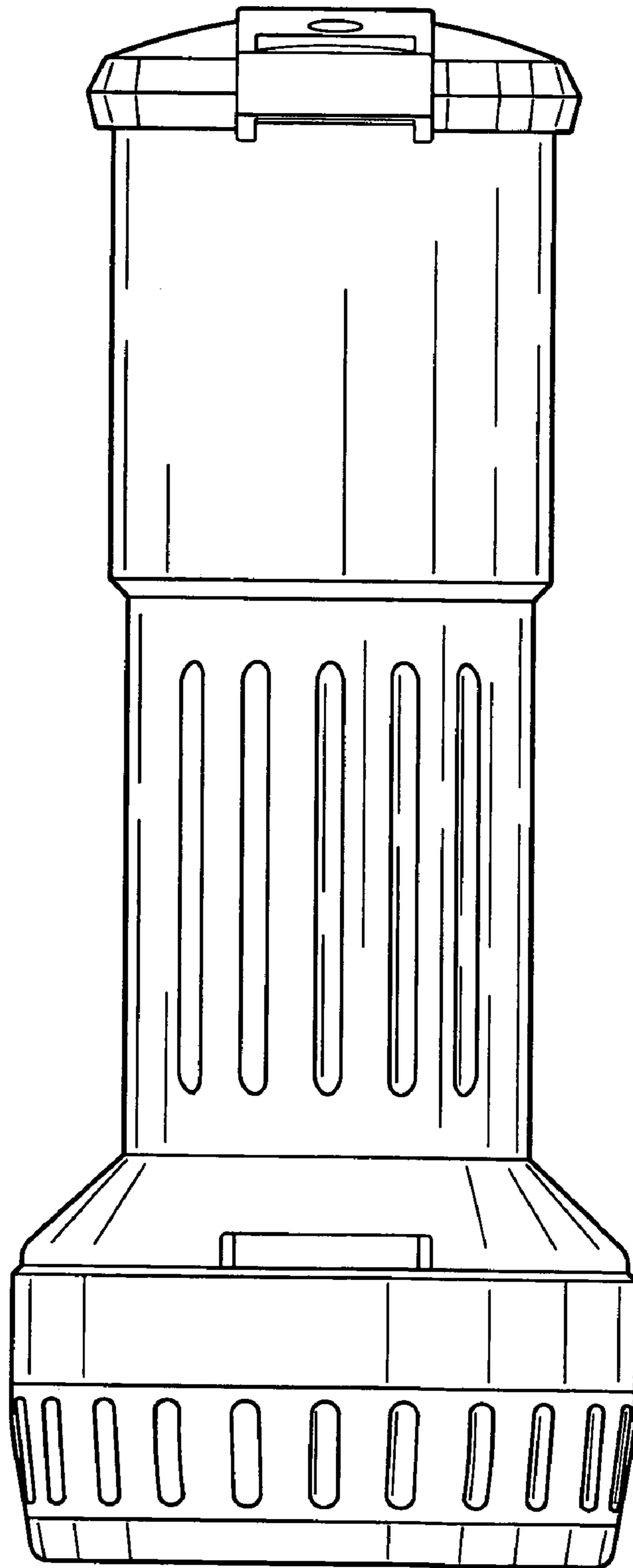


Fig. 3

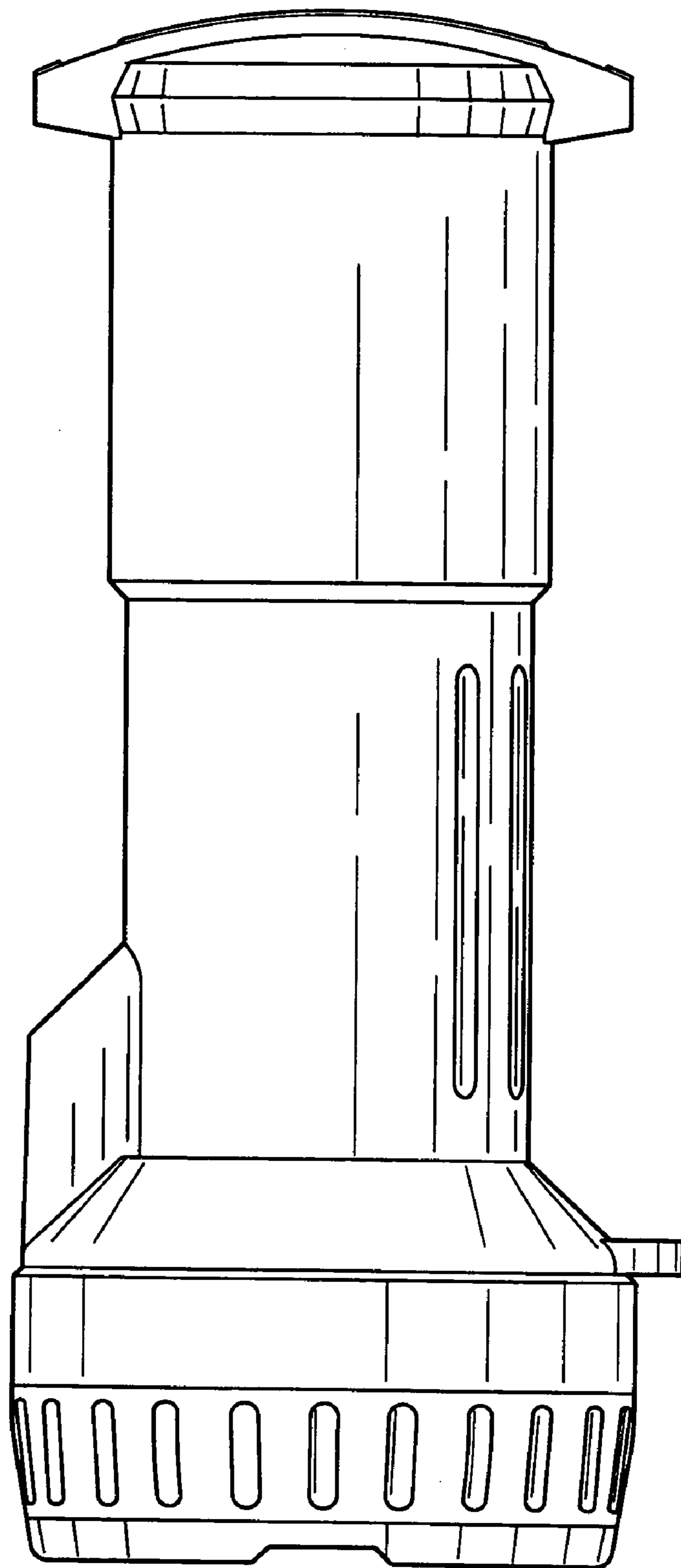


Fig. 4

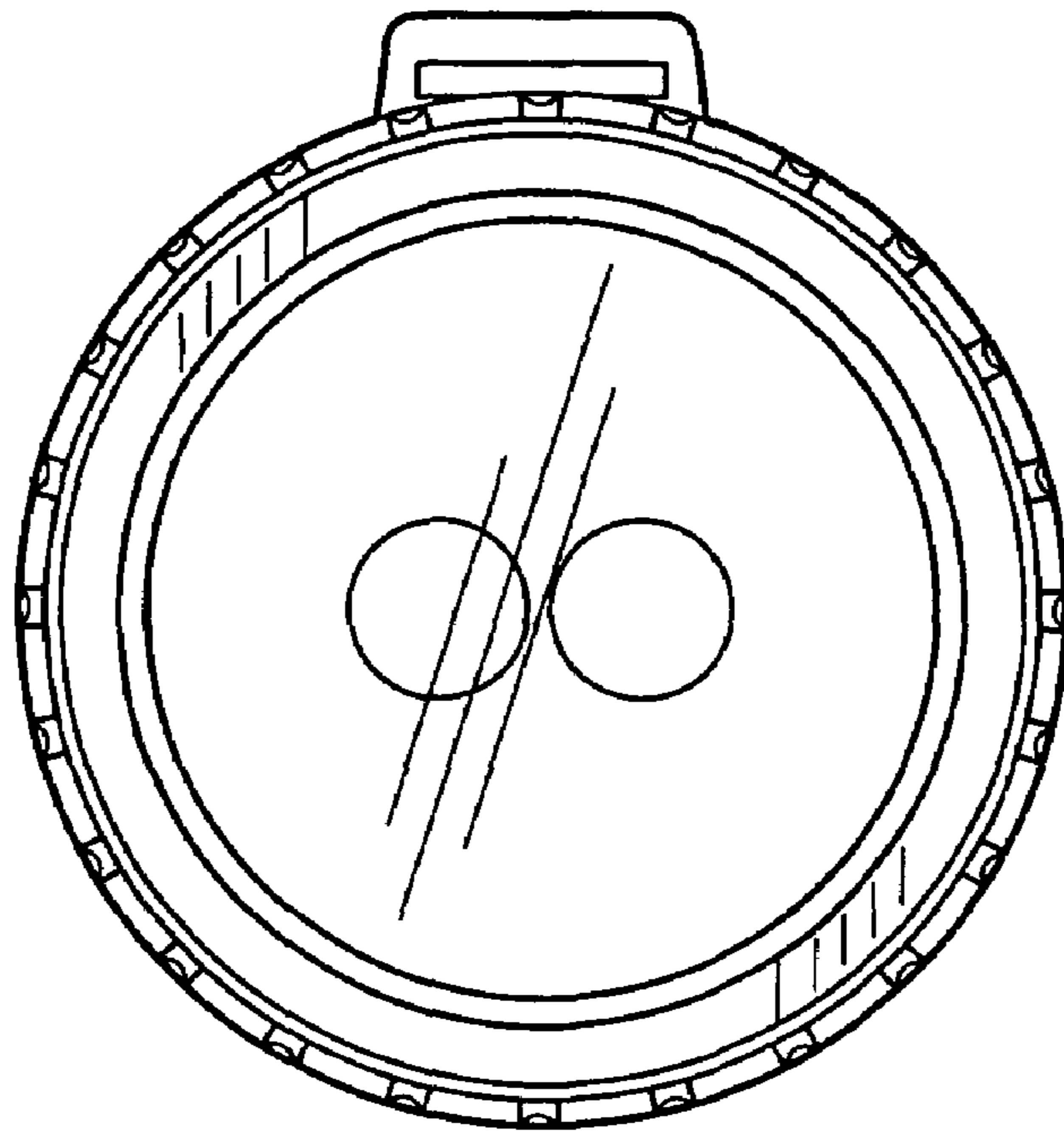


Fig. 5

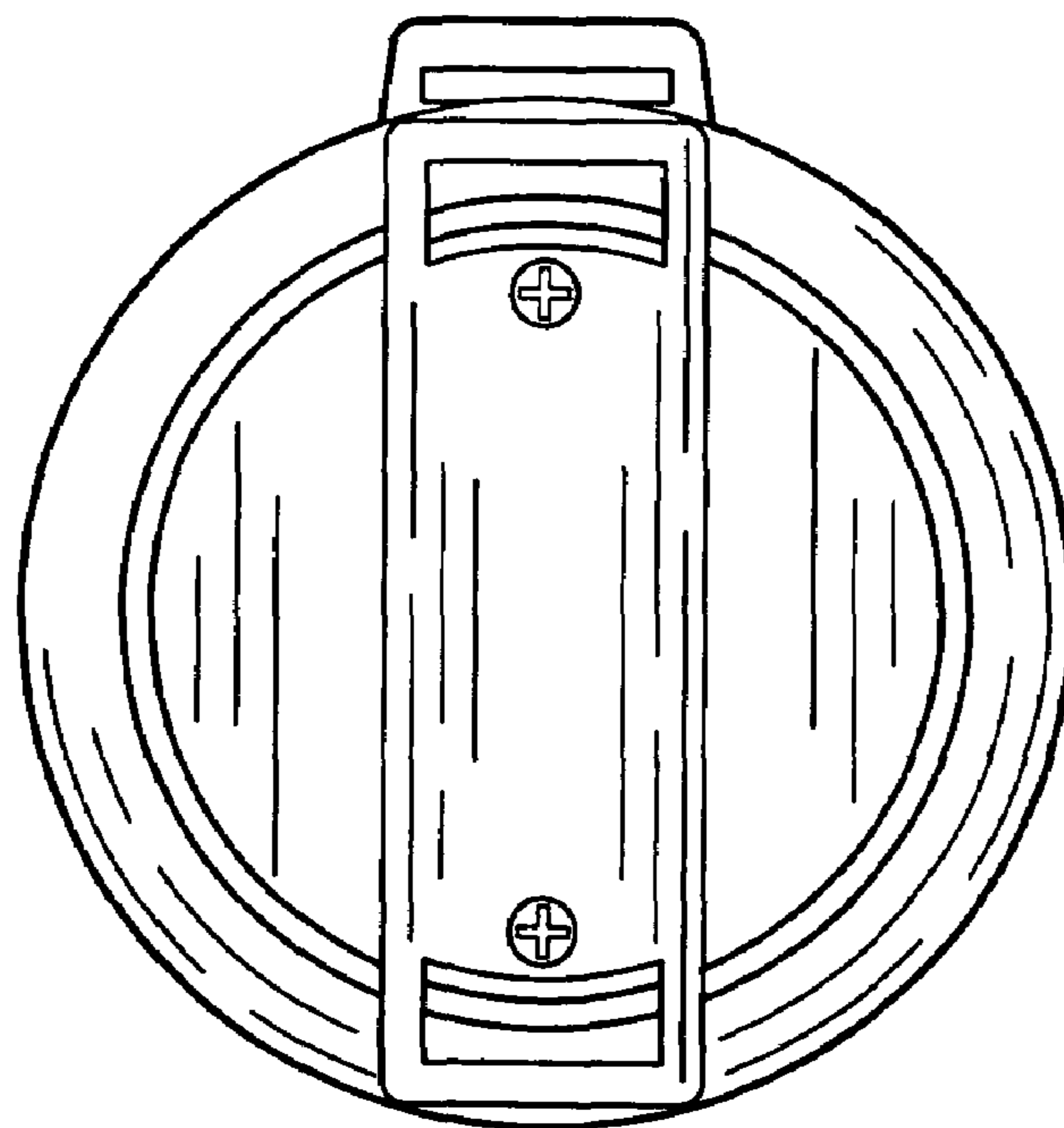


Fig. 6