



US00D551370S

(12) **United States Design Patent**
Ciccone, Jr. et al.

(10) **Patent No.:** **US D551,370 S**
(45) **Date of Patent:** **** Sep. 18, 2007**

(54) **FLASHLIGHT**

(75) Inventors: **Ronald W. Ciccone, Jr.**, Bedford, NH (US); **Ross F. Barber**, Pembroke, NH (US); **James F. Harvey**, Windham, NH (US)

(73) Assignee: **Insight Technology, Inc.**, Londonderry, NH (US)

(**) Term: **14 Years**

(21) Appl. No.: **29/249,247**

(22) Filed: **Sep. 28, 2006**

(51) **LOC (8) Cl.** **26-02**

(52) **U.S. Cl.** **D26/49**

(58) **Field of Classification Search** D26/37-50;
362/157, 158, 171-174, 181-208

See application file for complete search history.

(56) **References Cited**

U.S. PATENT DOCUMENTS

D295,562 S *	5/1988	Fazzina	D26/49
D335,192 S *	4/1993	Abel	D26/49
D473,961 S *	4/2003	Galli	D26/49
D510,637 S *	10/2005	Chan	D26/49
D529,210 S *	9/2006	Mundhra	D26/37

* cited by examiner

Primary Examiner—Marcus A. Jackson

(57) **CLAIM**

The ornamental design for a flashlight, as shown and described.

DESCRIPTION

FIG. 1 is a first perspective view of a first flashlight of the present invention;

FIG. 2 is a second perspective view of the flashlight of FIG. 1;

FIG. 3 is a front view of the flashlight of FIG. 1;

FIG. 4 is rear view of the flashlight of FIG. 1;

FIG. 5 is a right side view of the flashlight of FIG. 1;

FIG. 6 is a left side view of the flashlight of FIG. 1;

FIG. 7 is a bottom view of the flashlight of FIG. 1;

FIG. 8 is a top view of the flashlight of FIG. 1.

FIG. 9 is a first perspective view of a second flashlight of the present invention;

FIG. 10 is a second perspective view of the flashlight of FIG. 9;

FIG. 11 is a front view of the flashlight of FIG. 9;

FIG. 12 is rear view of the flashlight of FIG. 9;

FIG. 13 is a right side view of the flashlight of FIG. 9;

FIG. 14 is a left side view of the flashlight of FIG. 9;

FIG. 15 is a bottom view of the flashlight of FIG. 9;

FIG. 16 is a top view of the flashlight of FIG. 9;

FIG. 17 is a first perspective view of a third flashlight of the present invention;

FIG. 18 is a third perspective view of the flashlight of FIG. 17;

FIG. 19 is a front view of the flashlight of FIG. 17;

FIG. 20 is rear view of the flashlight of FIG. 17;

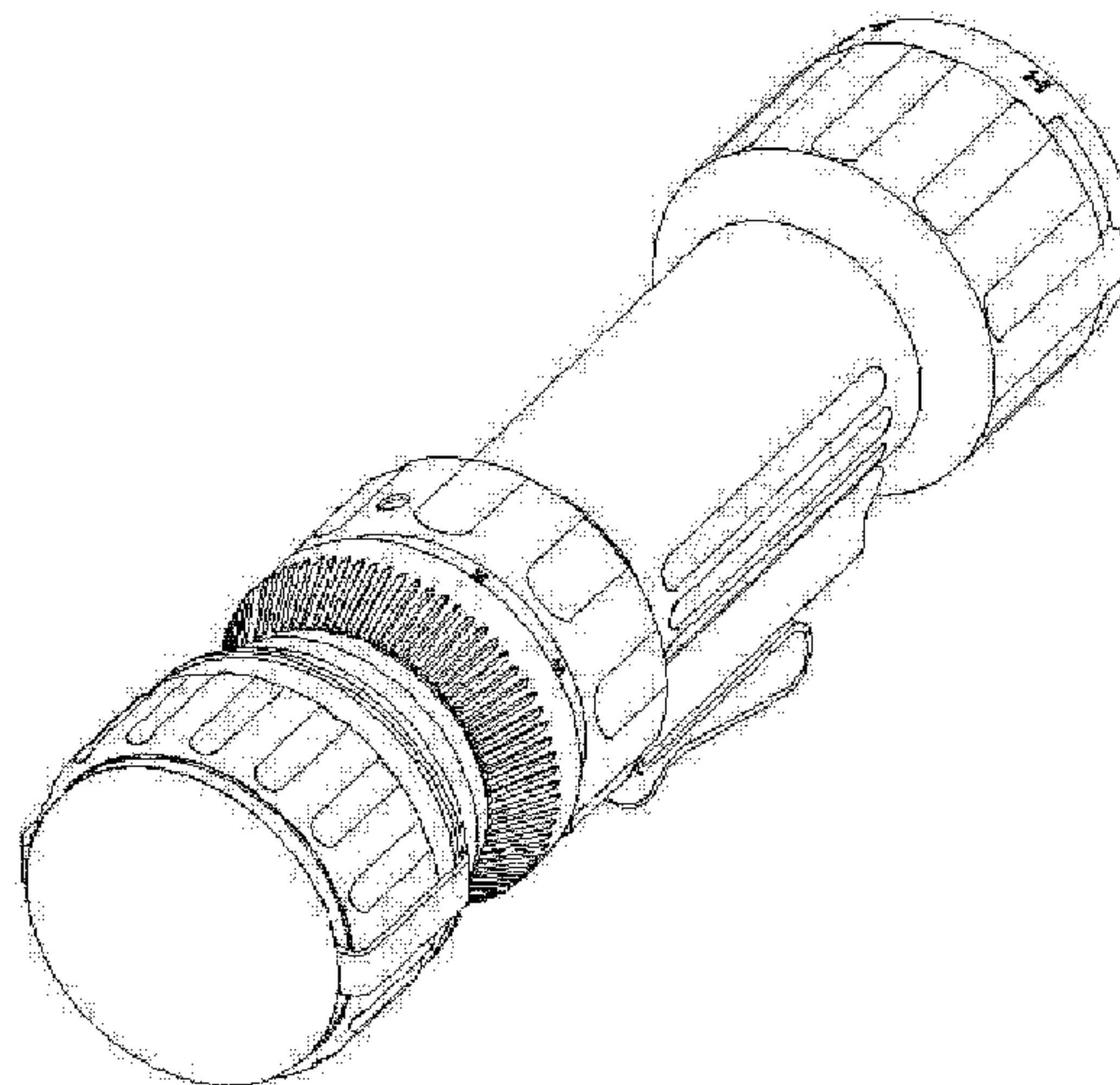
FIG. 21 is a right side view of the flashlight of FIG. 17;

FIG. 22 is a left side view of the flashlight of FIG. 17;

FIG. 23 is a bottom view of the flashlight of FIG. 17; and,

FIG. 24 is a top view of the flashlight of FIG. 17.

1 Claim, 12 Drawing Sheets



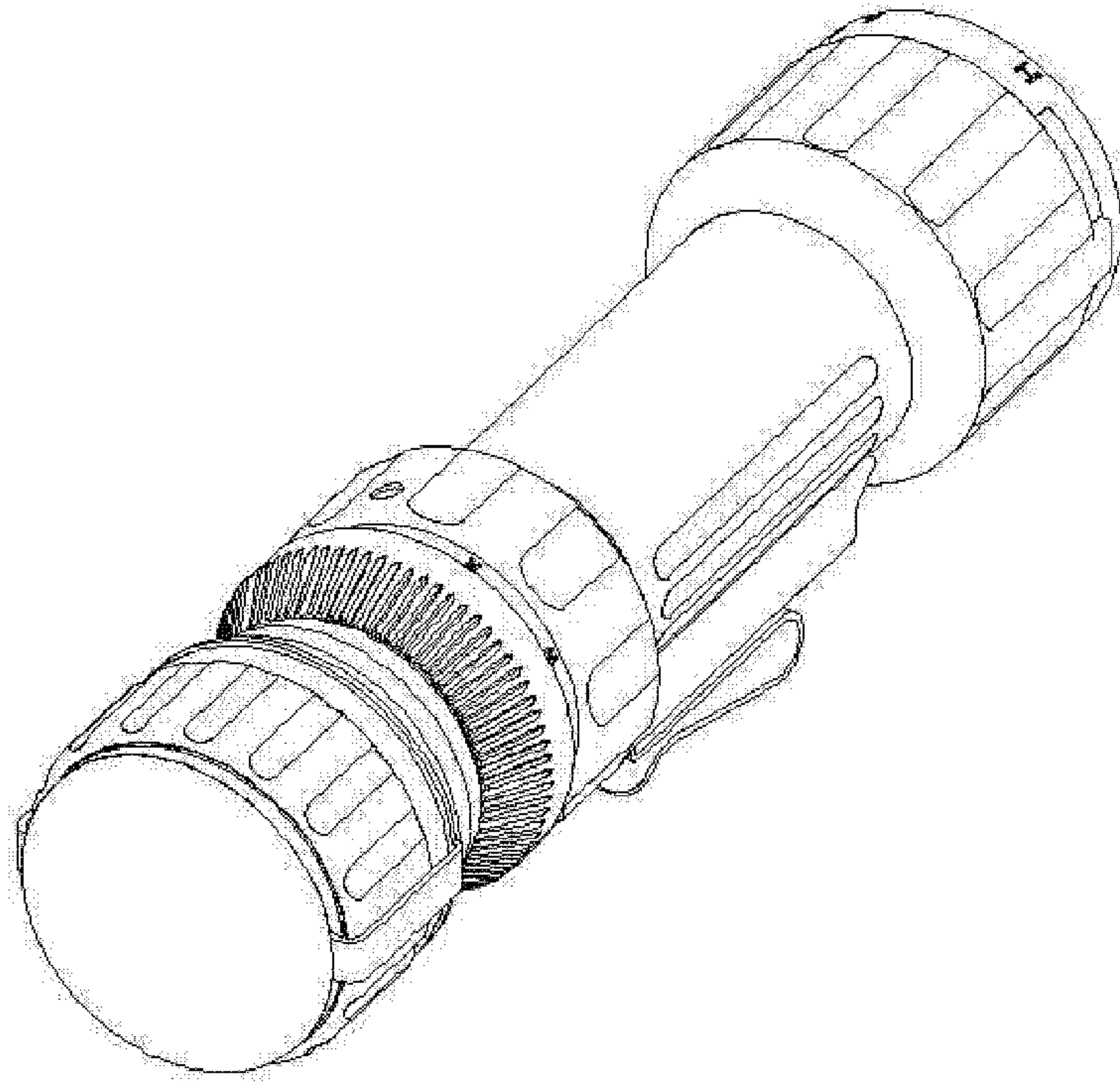


FIGURE 1

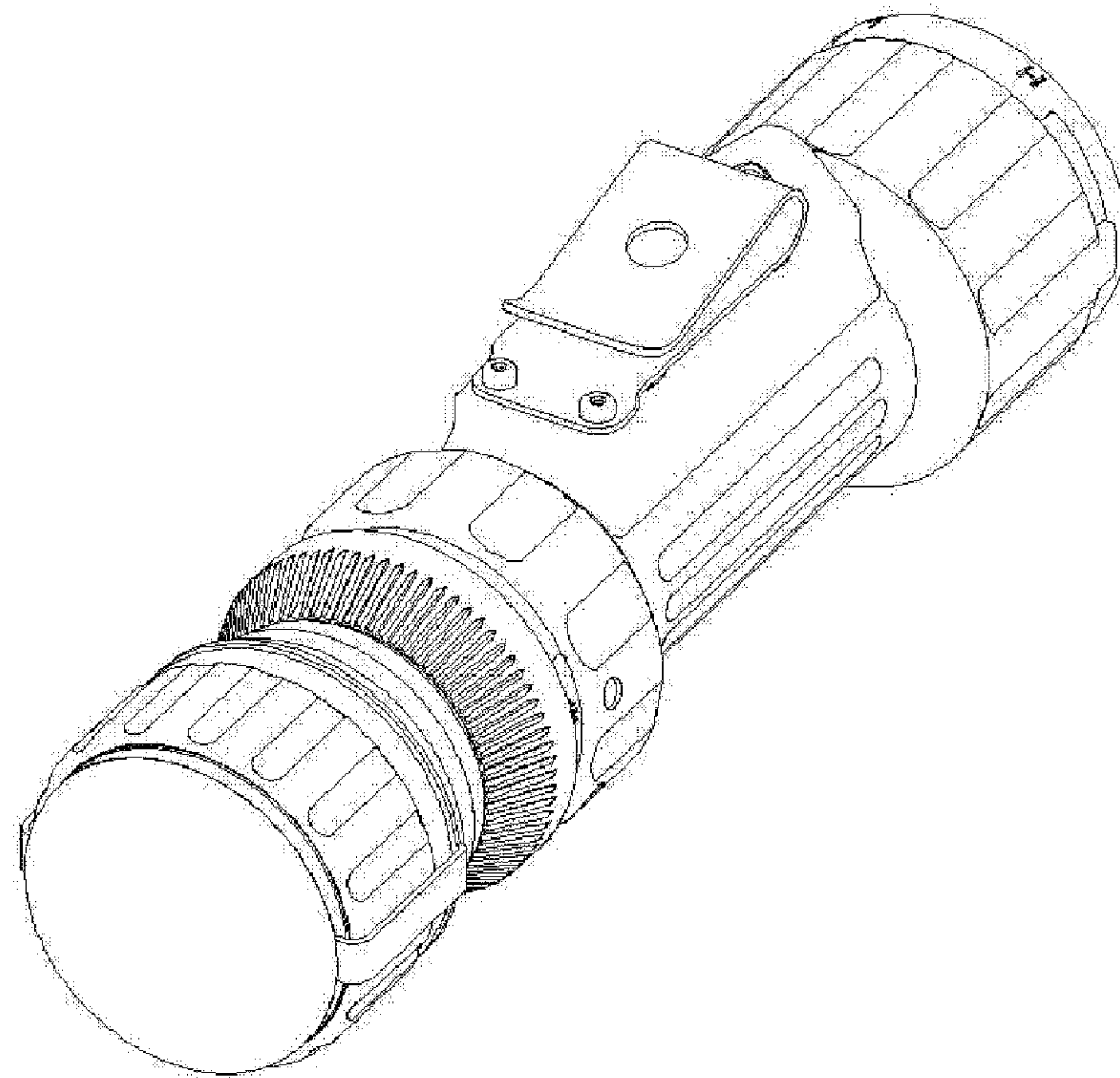


FIGURE 2

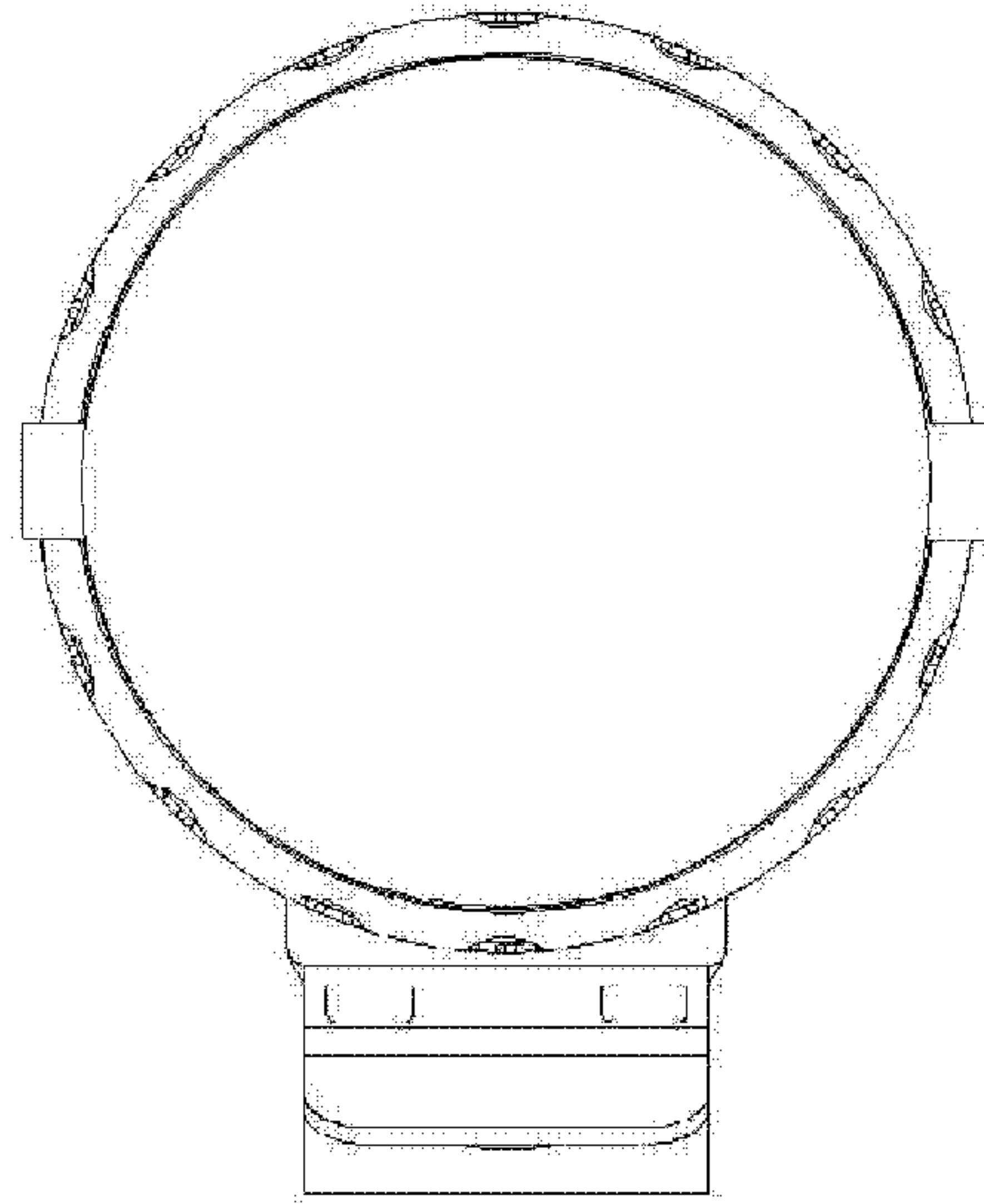


FIGURE 3

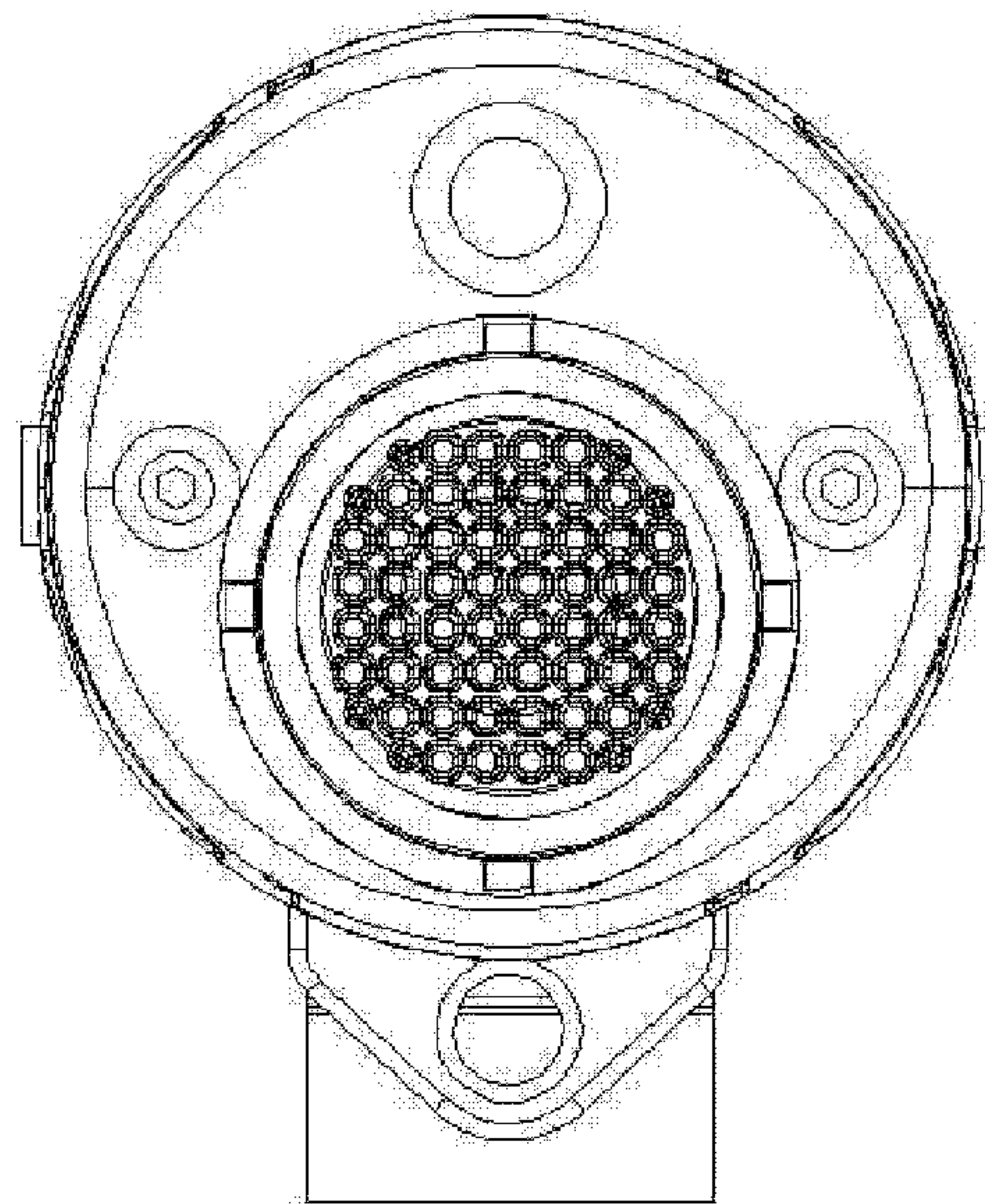


FIGURE 4

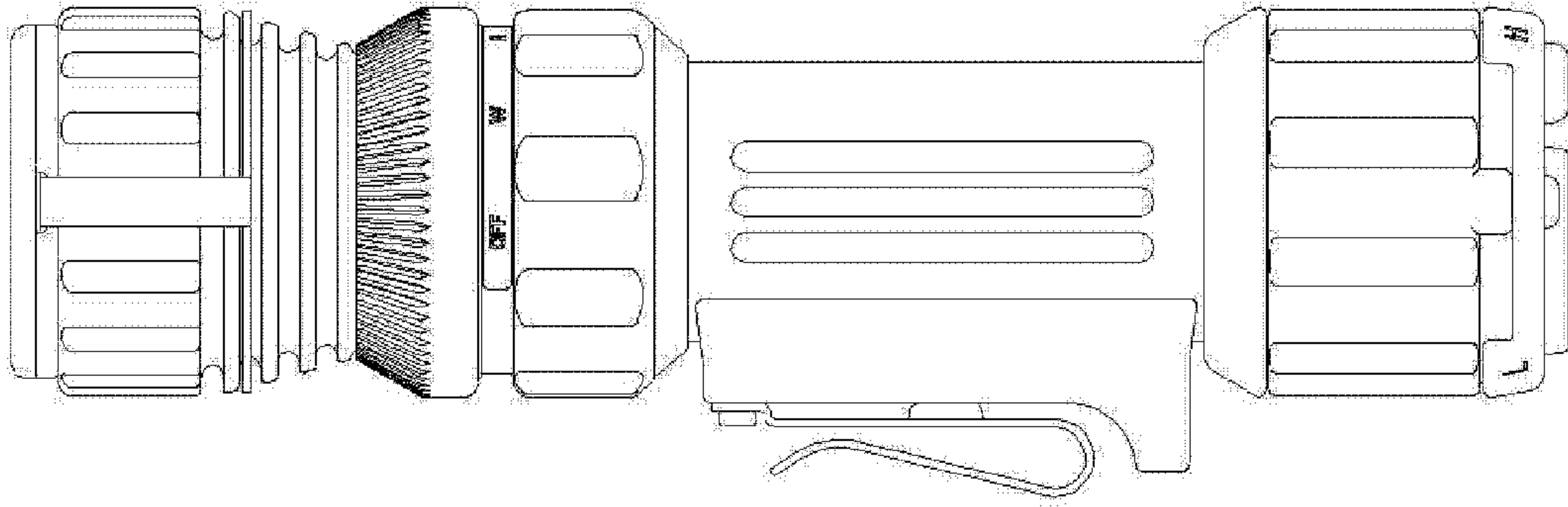


FIGURE 5

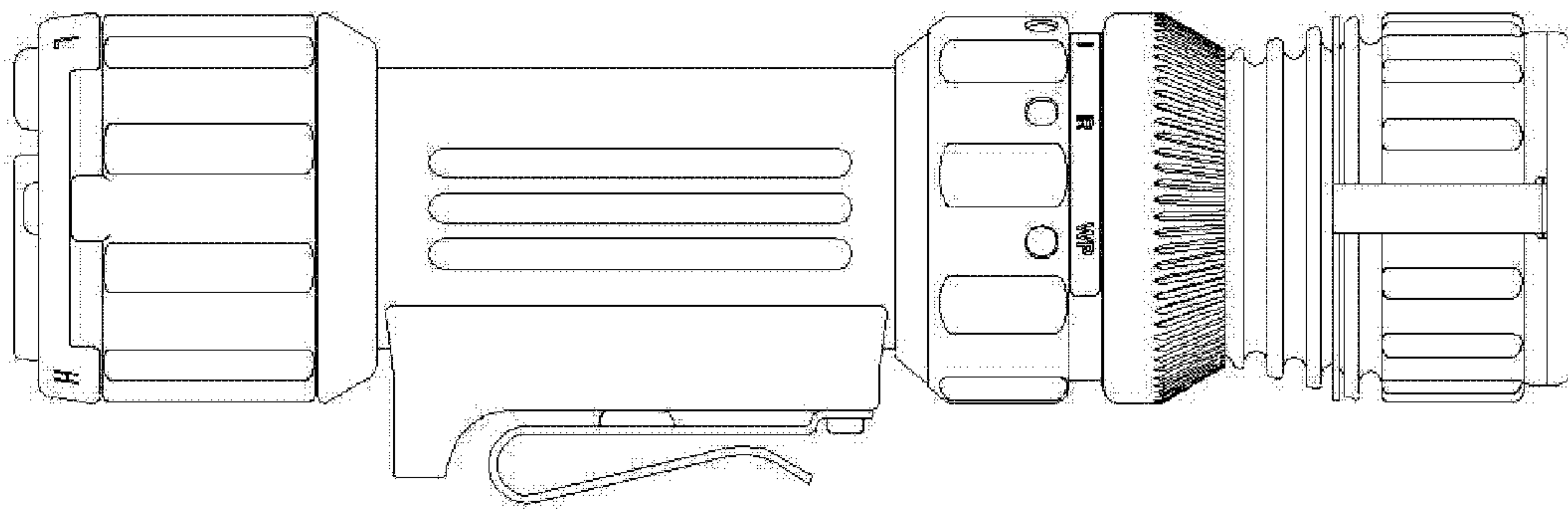


FIGURE 6

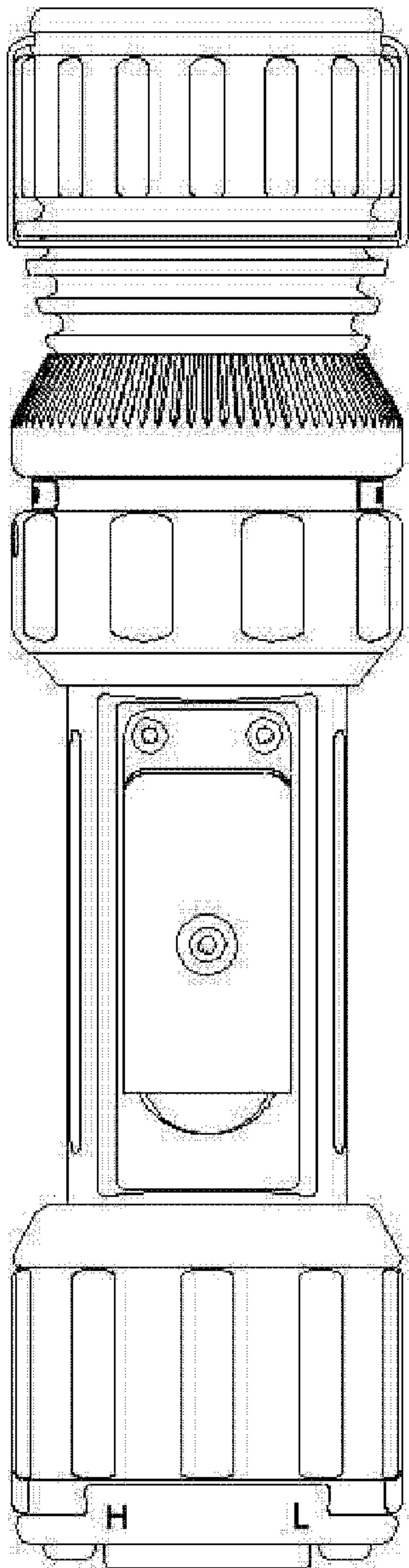


FIGURE 7

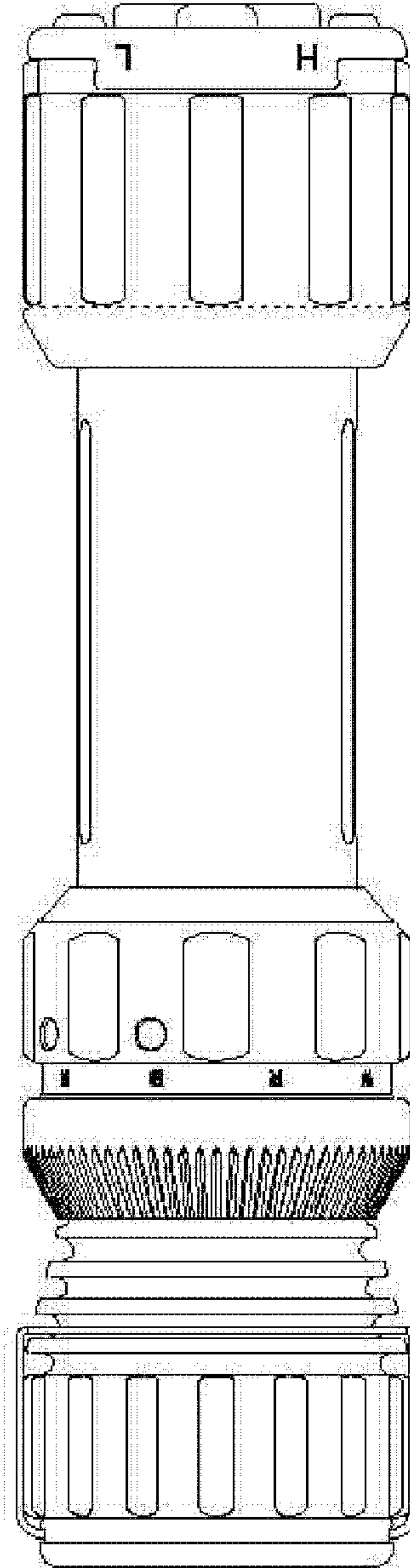


FIGURE 8

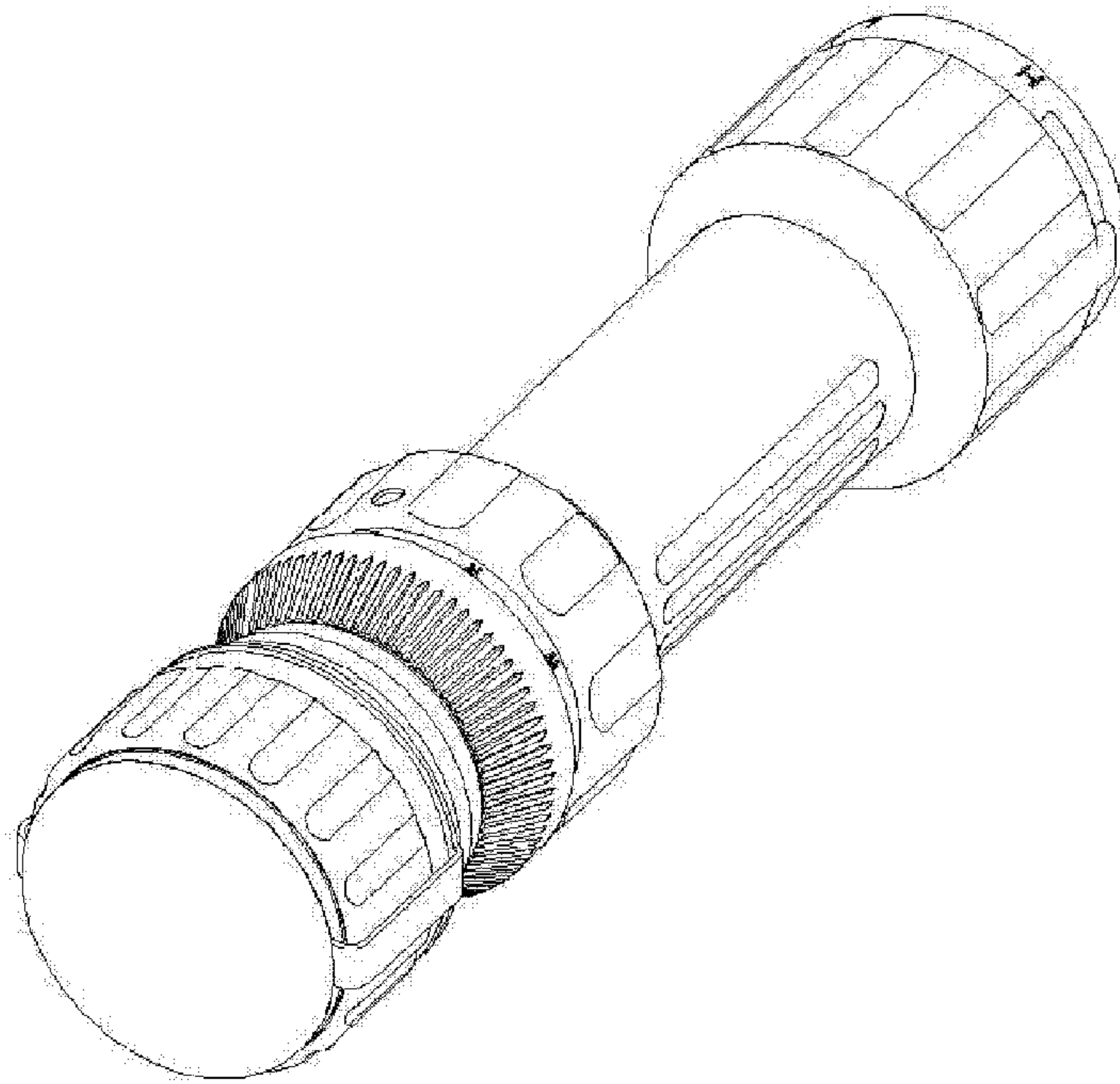


FIGURE 9

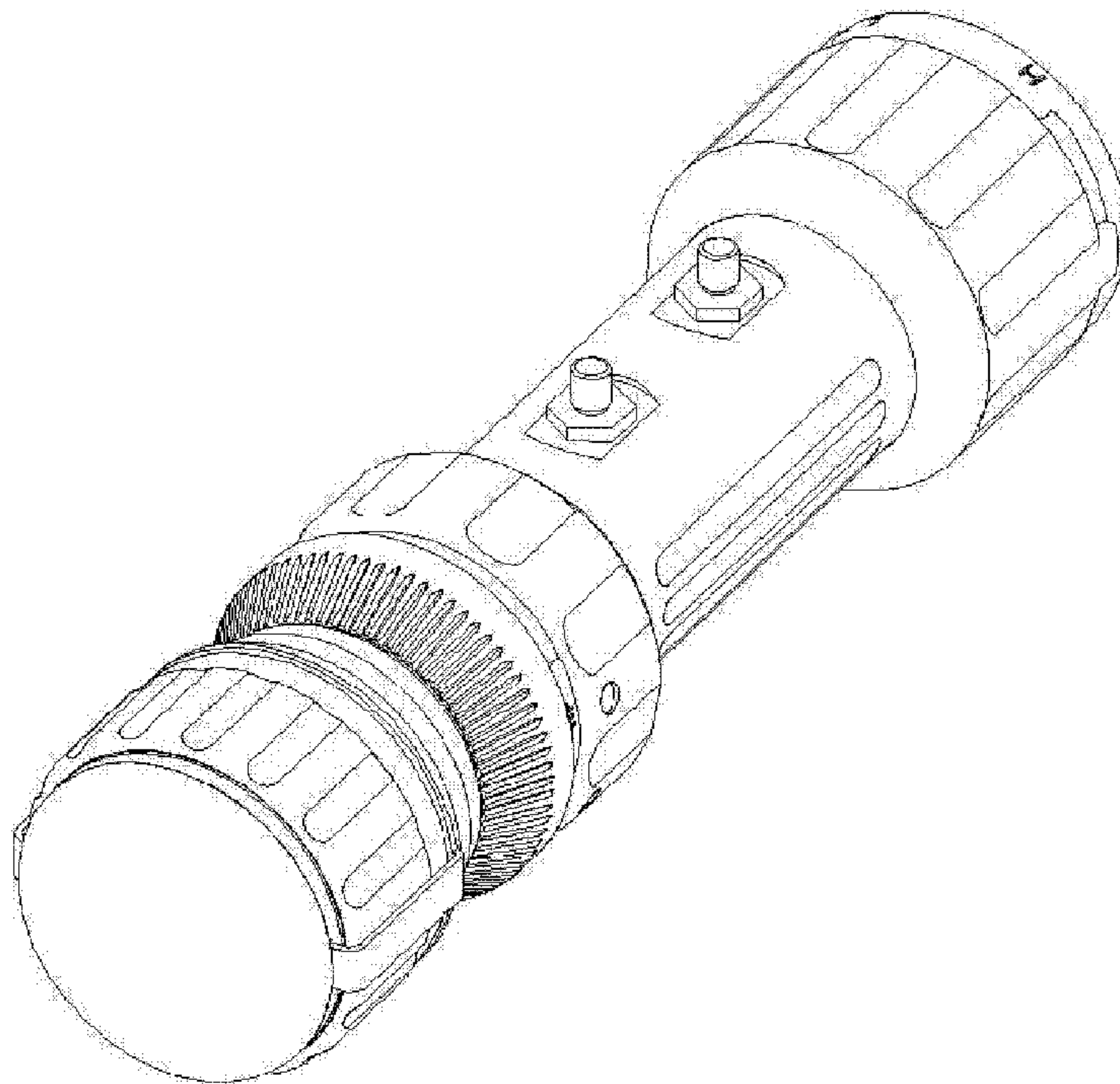


FIGURE 10

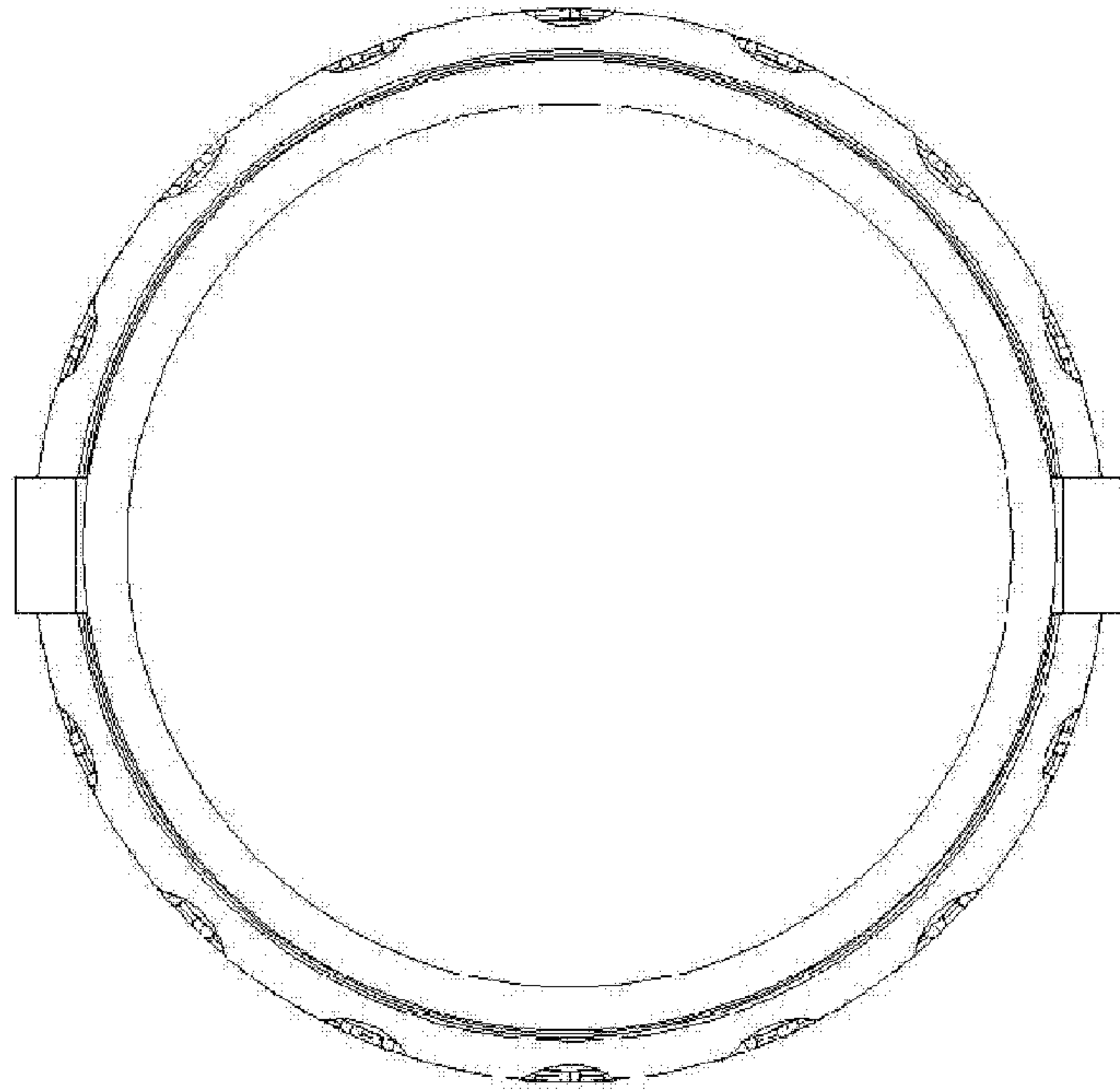


FIGURE 11

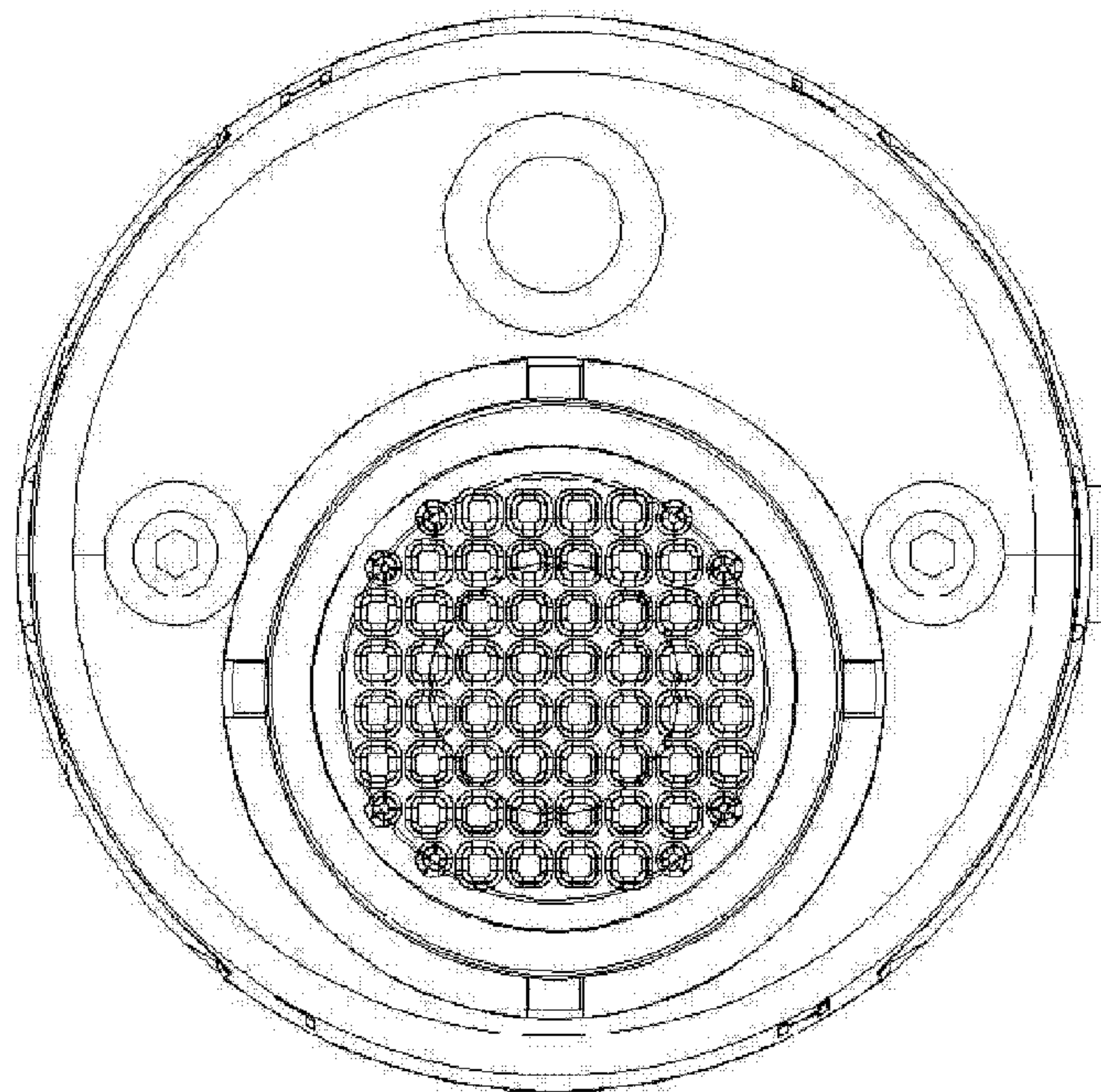


FIGURE 12

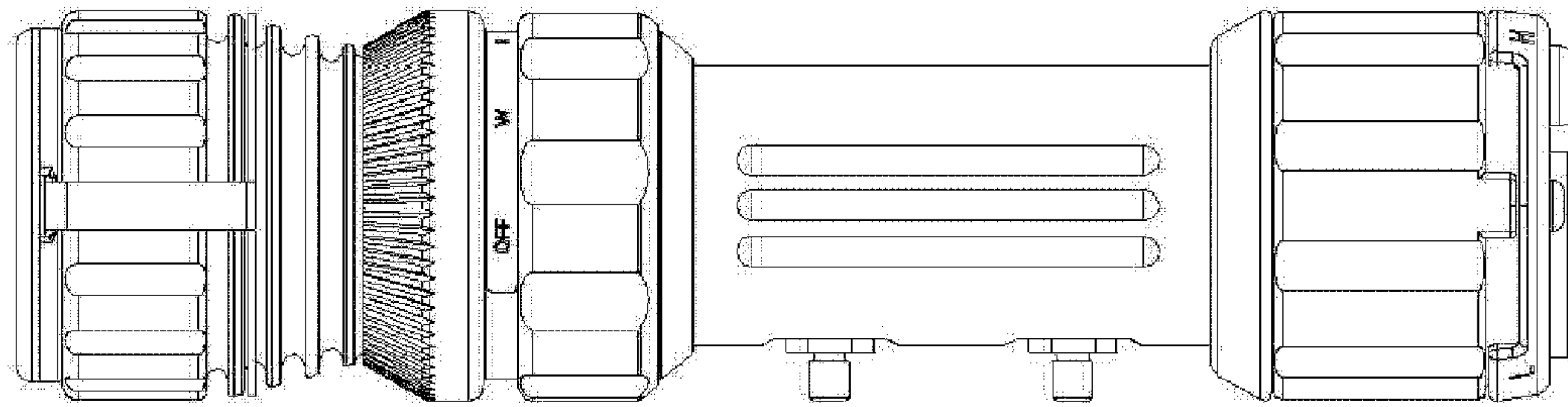


FIGURE 13

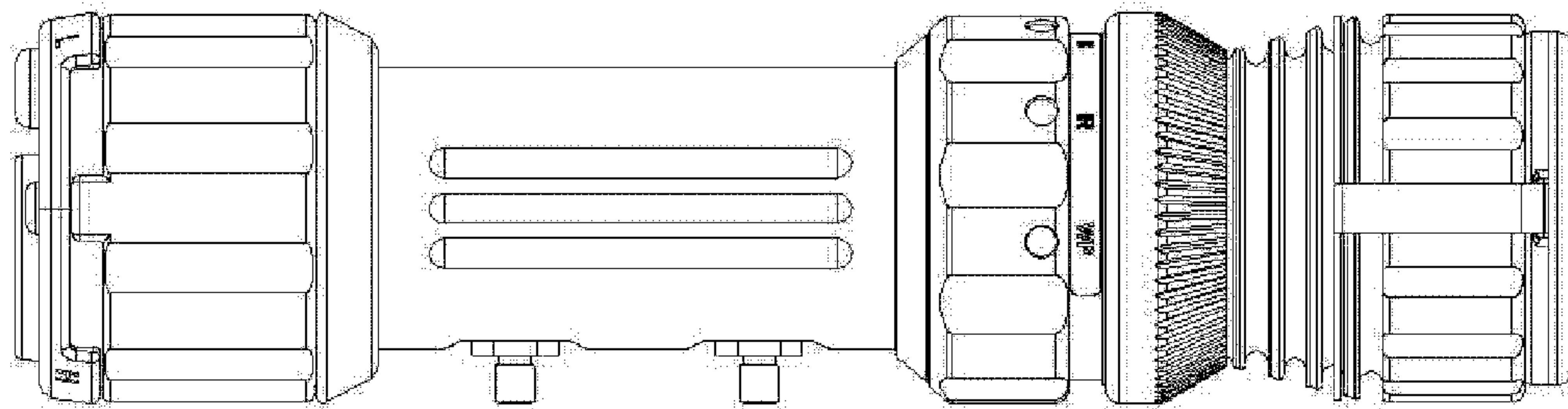


FIGURE 14

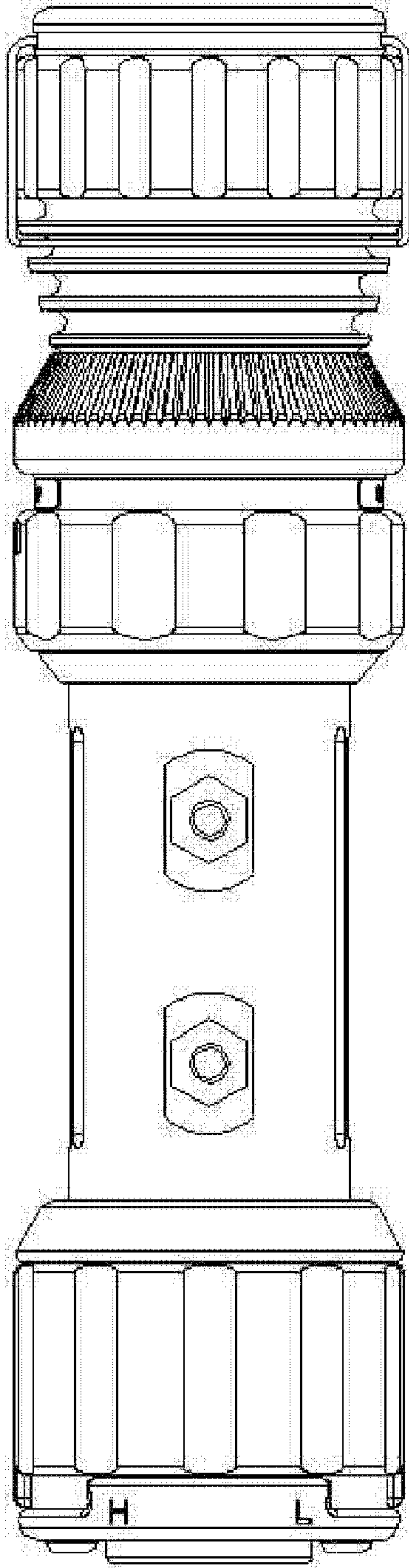


FIGURE 15

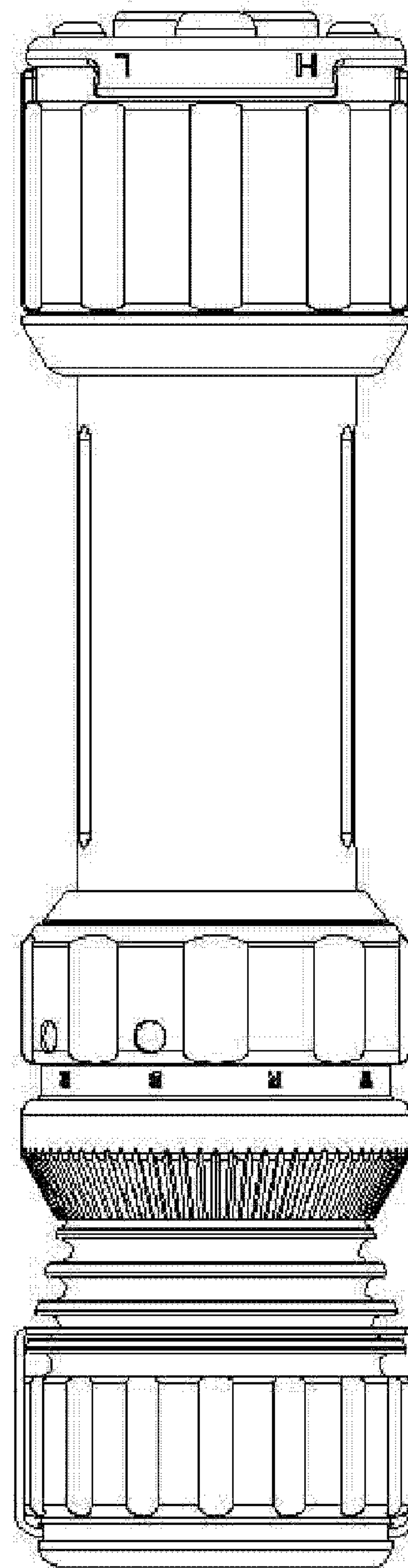


FIGURE 16

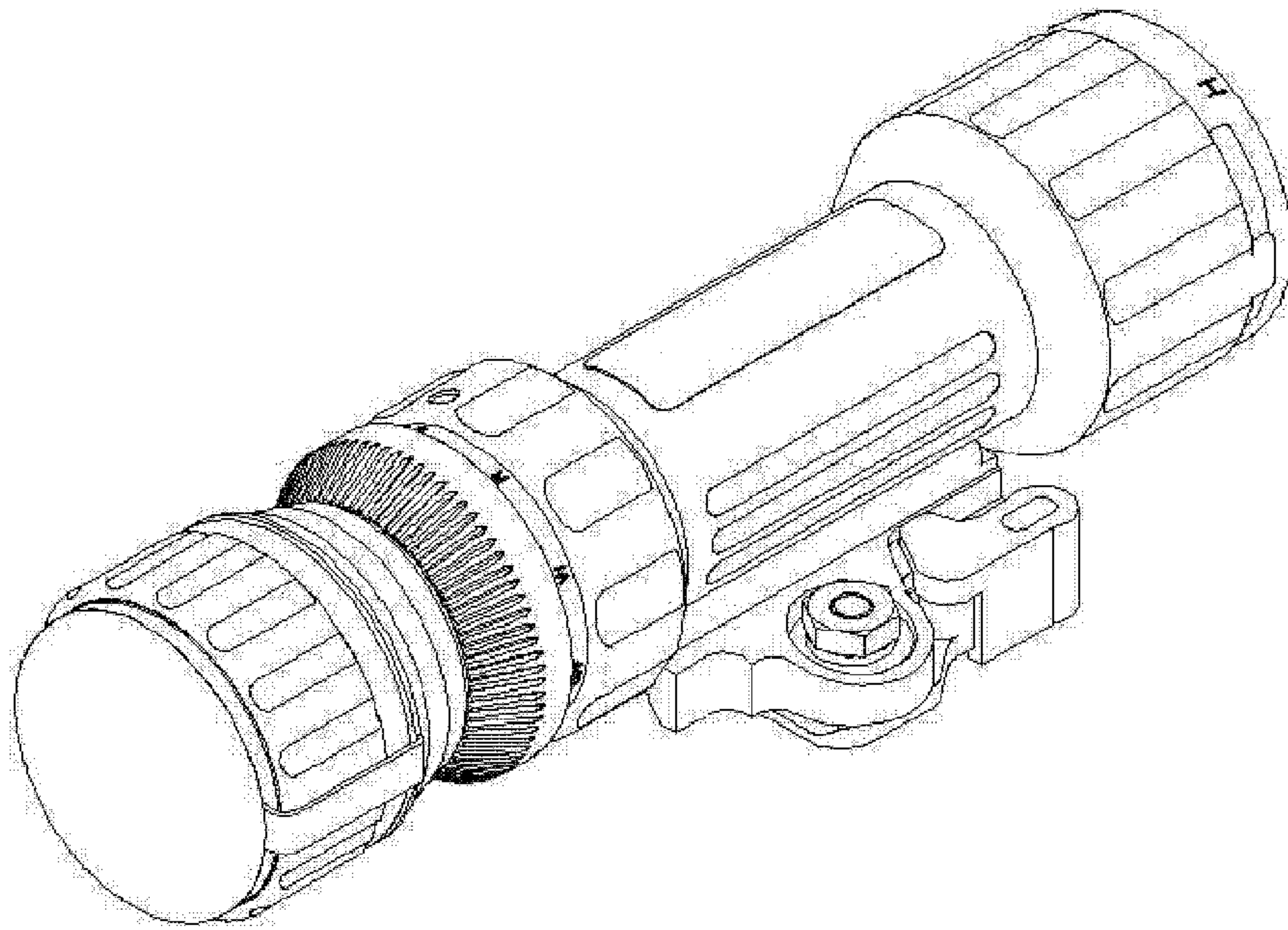


FIGURE 17

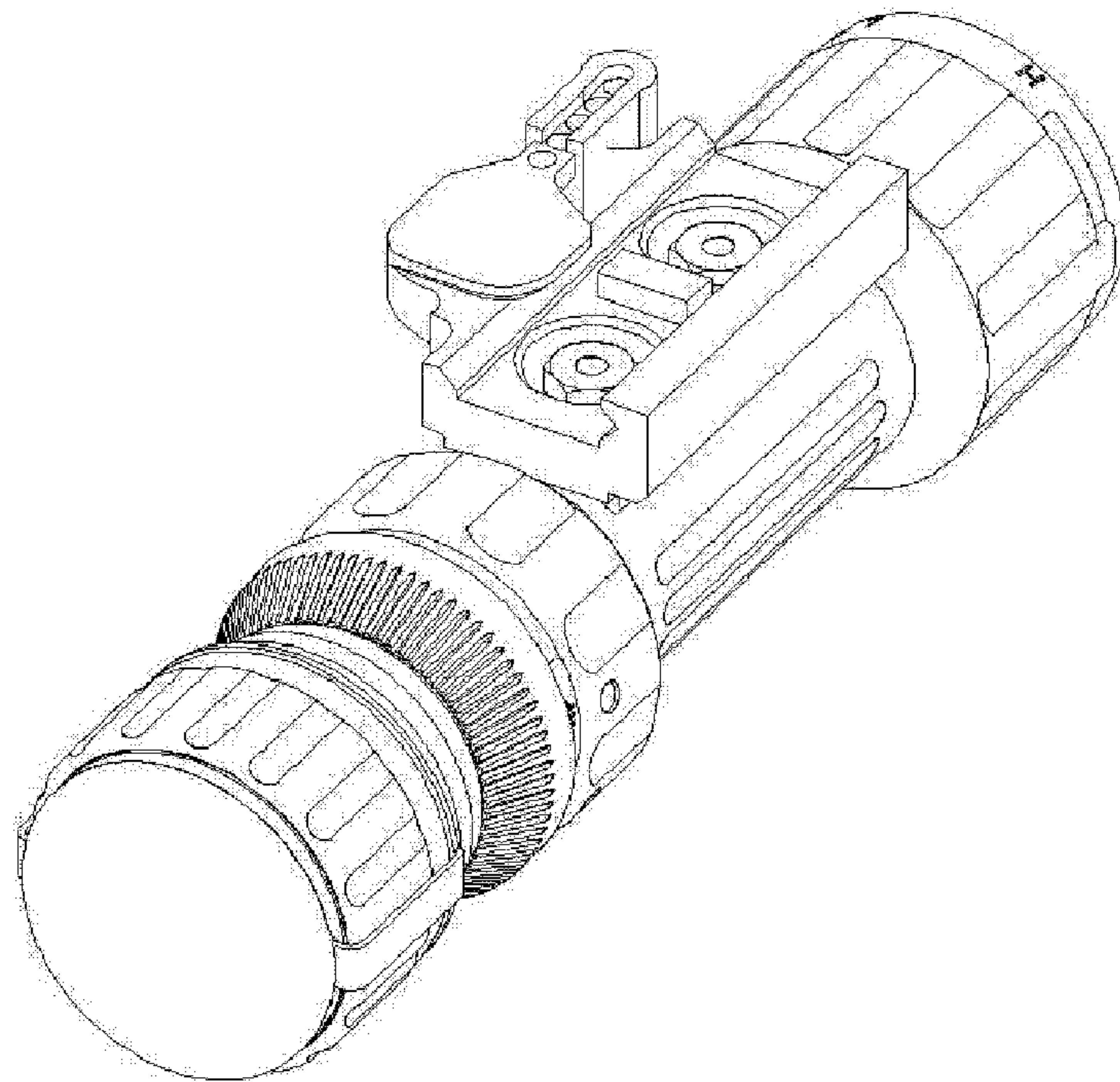


FIGURE 18

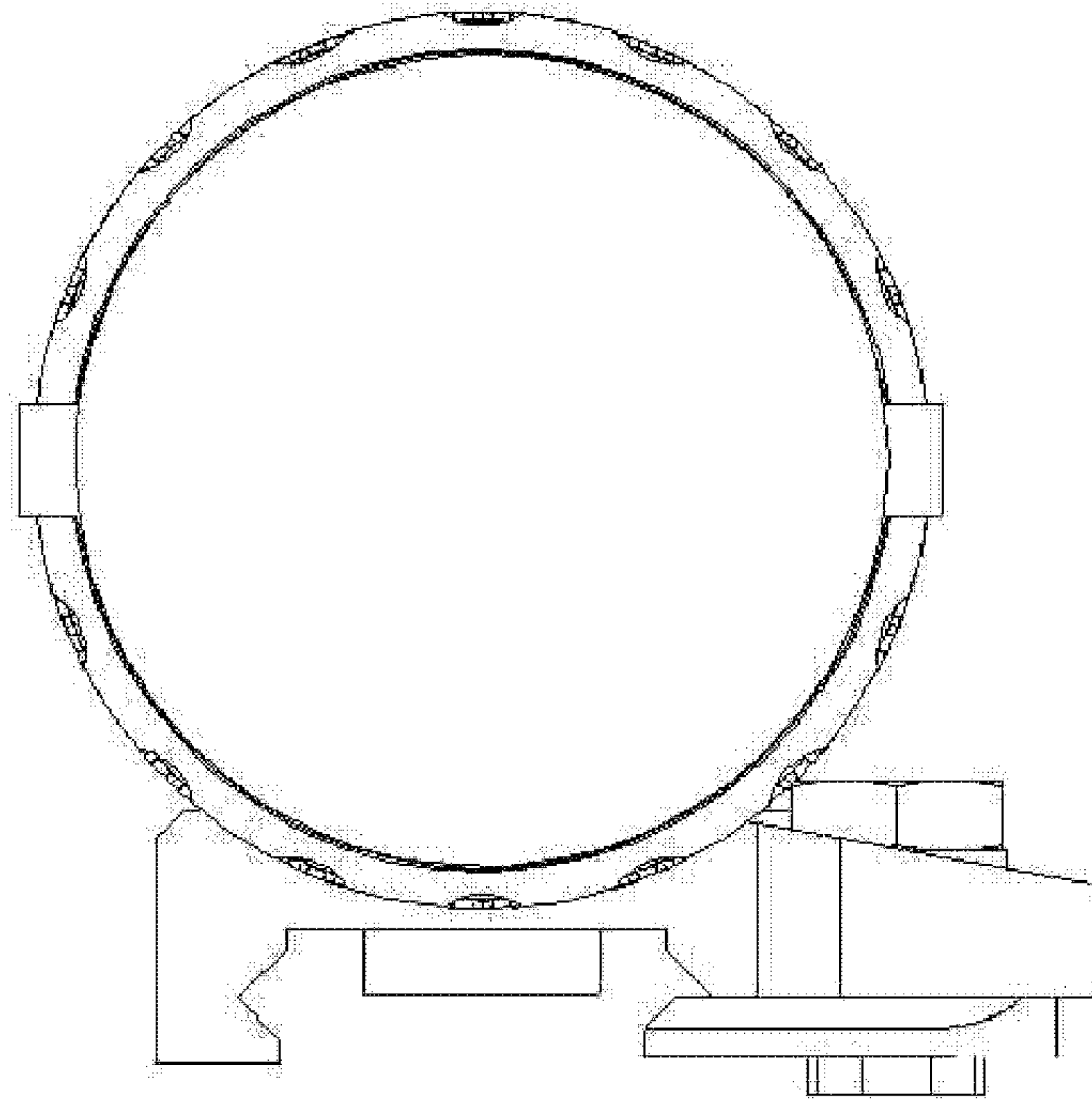


FIGURE 19

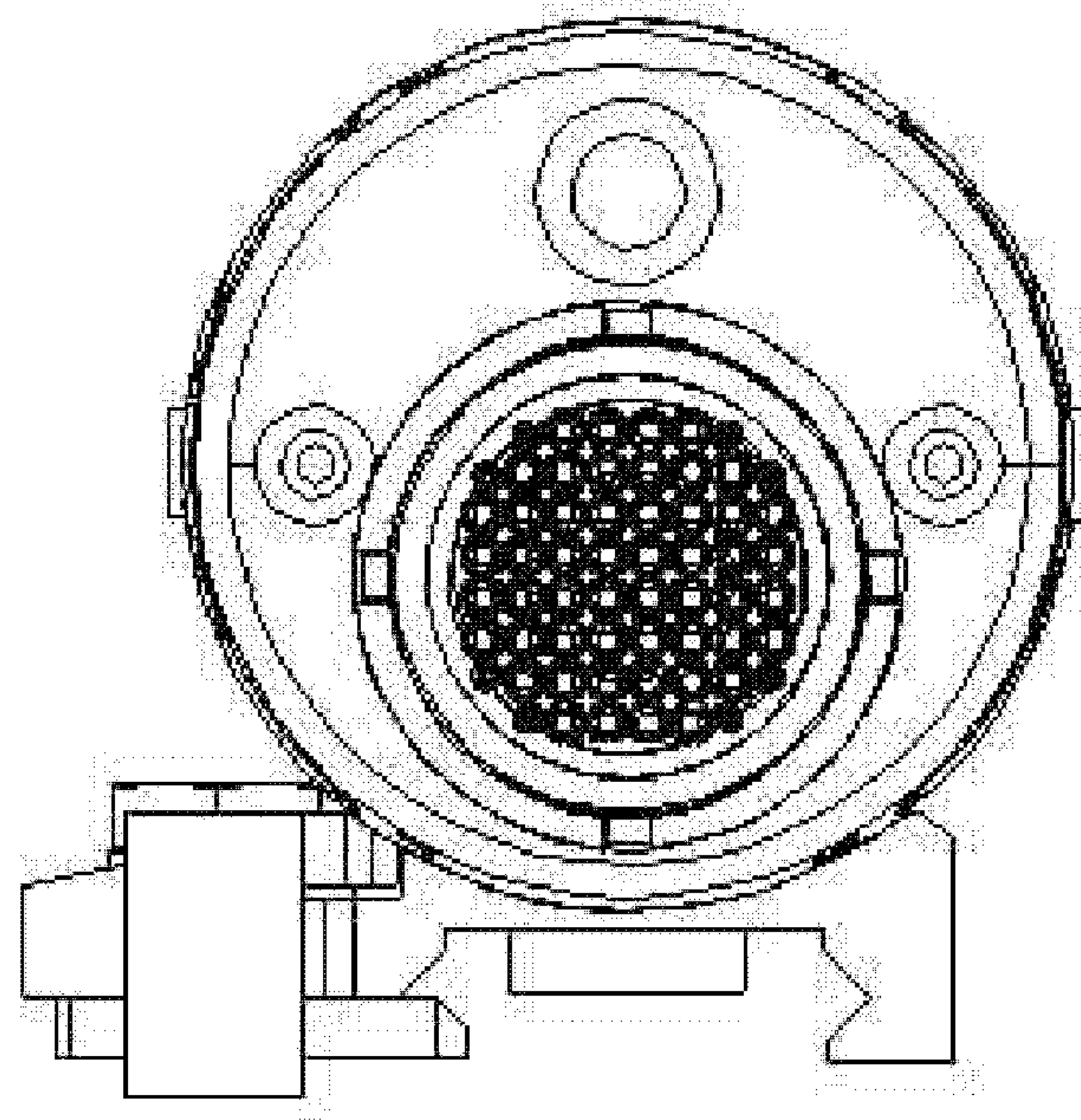


FIGURE 20

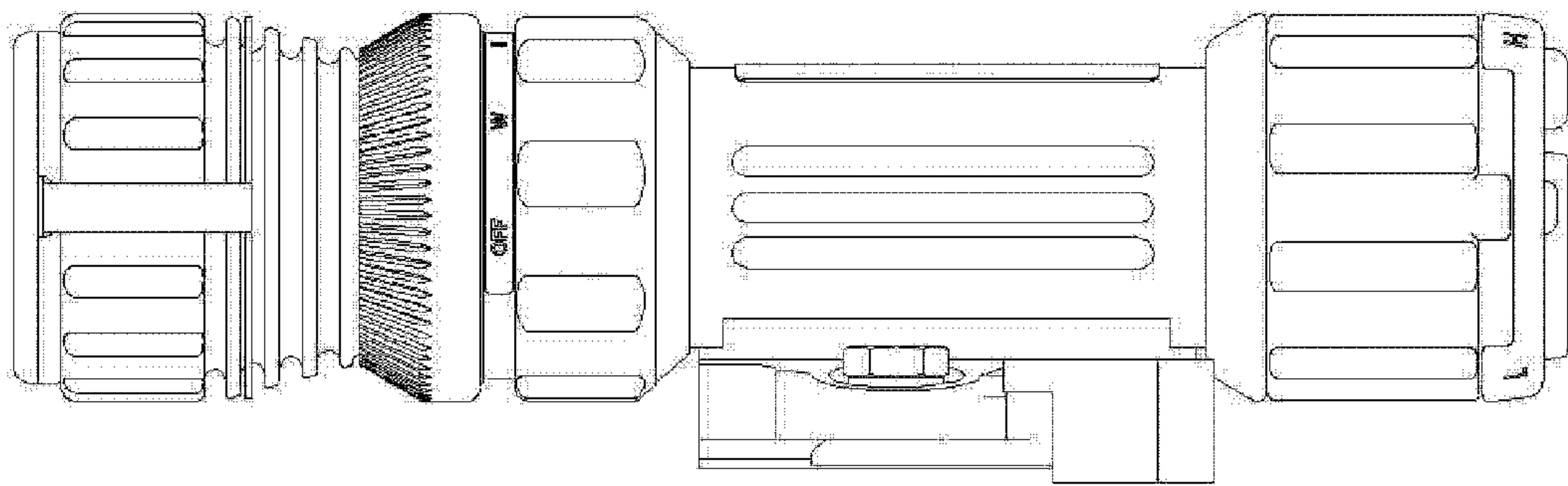


FIGURE 21

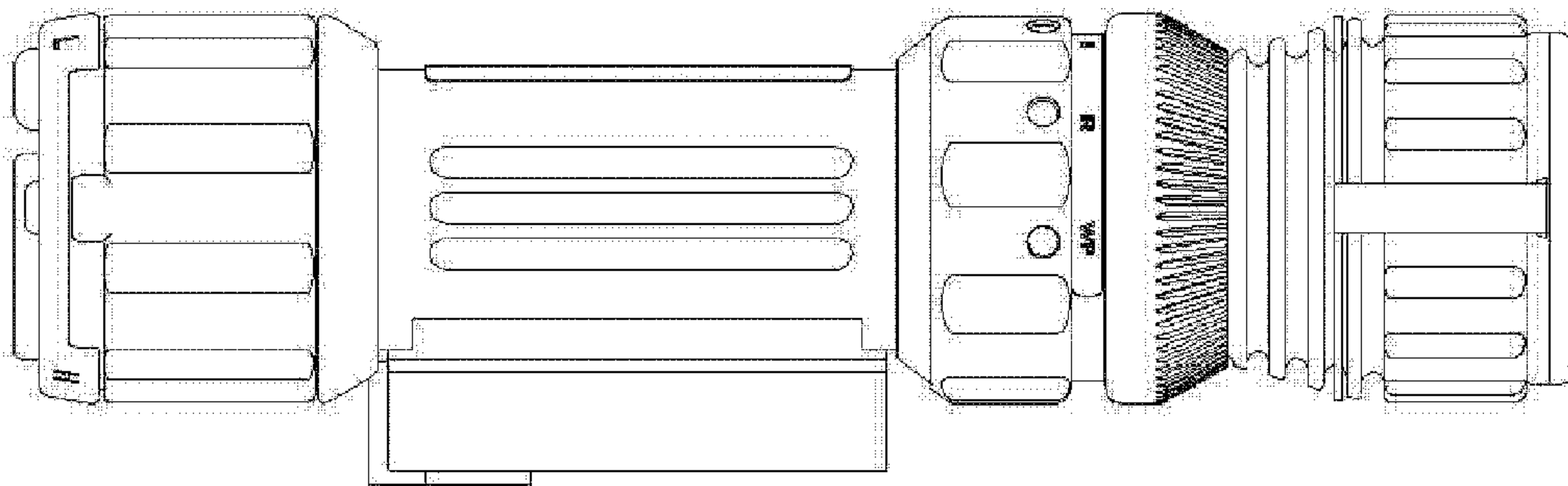


FIGURE 22

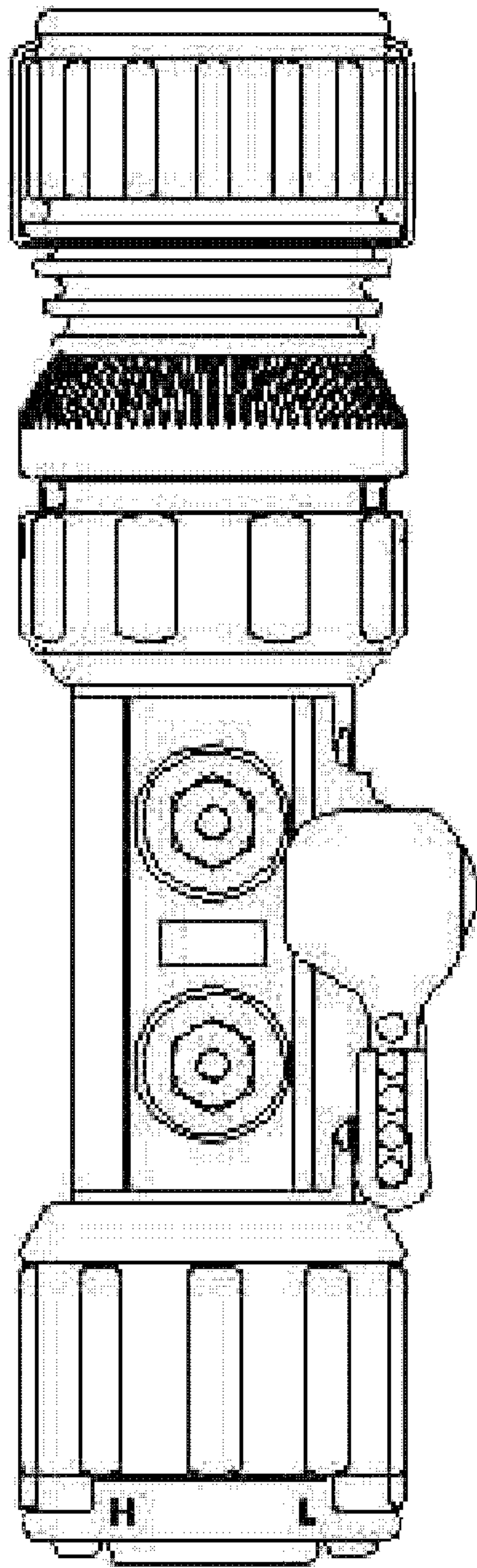


FIGURE 23

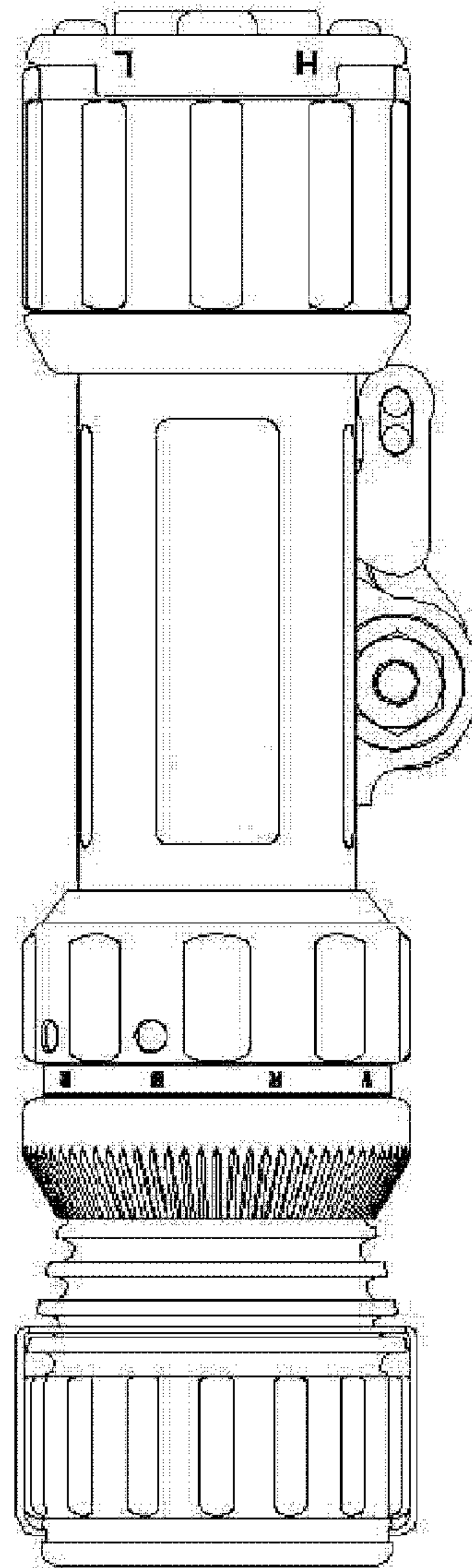


FIGURE 24