



US00D551365S

(12) **United States Design Patent**
Shimokawa et al.

(10) **Patent No.:** **US D551,365 S**

(45) **Date of Patent:** **** Sep. 18, 2007**

(54) **TAIL LIGHT FOR A MOTORCYCLE**

Primary Examiner—Marcus A. Jackson

(75) Inventors: **Hiroshi Shimokawa**, Tokyo (JP);
Takuya Nakamura, Tokyo (JP)

(74) *Attorney, Agent, or Firm*—Ostrolenk, Faber, Gerb & Soffen, LLP

(73) Assignee: **Yamaha Hatsudoki Kabushiki Kaisha**
(JP)

(57) **CLAIM**

(**) Term: **14 Years**

The ornamental design for a tail light for a motorcycle, as shown.

(21) Appl. No.: **29/276,968**

(22) Filed: **Feb. 9, 2007**

DESCRIPTION

(51) **LOC (8) Cl.** **26-06**

(52) **U.S. Cl.** **D26/28**

(58) **Field of Classification Search** D26/28-36;
362/459-468, 475-478, 485-487
See application file for complete search history.

FIG. 1 is a front, left side perspective view of a tail light for a motorcycle showing our new design;

FIG. 2 is a rear right side perspective view thereof;

FIG. 3 is a right side view thereof;

FIG. 4 is a left side view thereof;

FIG. 5 is a front side view thereof;

FIG. 6 is a rear view thereof;

FIG. 7 is a top view thereof; and,

FIG. 8 is a bottom view thereof.

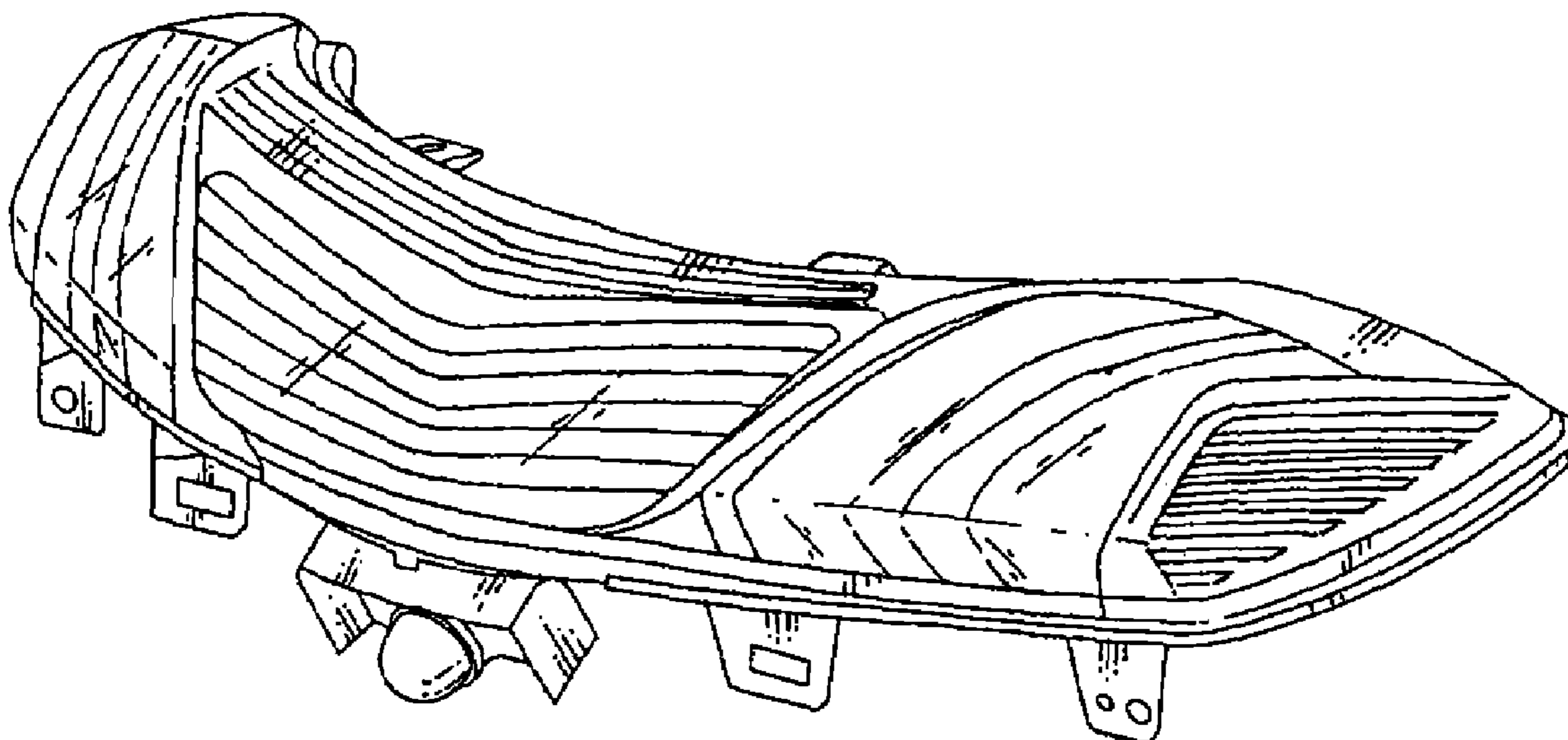
(56) **References Cited**

U.S. PATENT DOCUMENTS

D471,999 S *	3/2003	Yoshida et al.	D26/28
D477,678 S *	7/2003	Lin	D26/28
D493,903 S *	8/2004	Otsubo et al.	D26/28
D511,585 S *	11/2005	Manchester et al.	D26/28

* cited by examiner

1 Claim, 4 Drawing Sheets



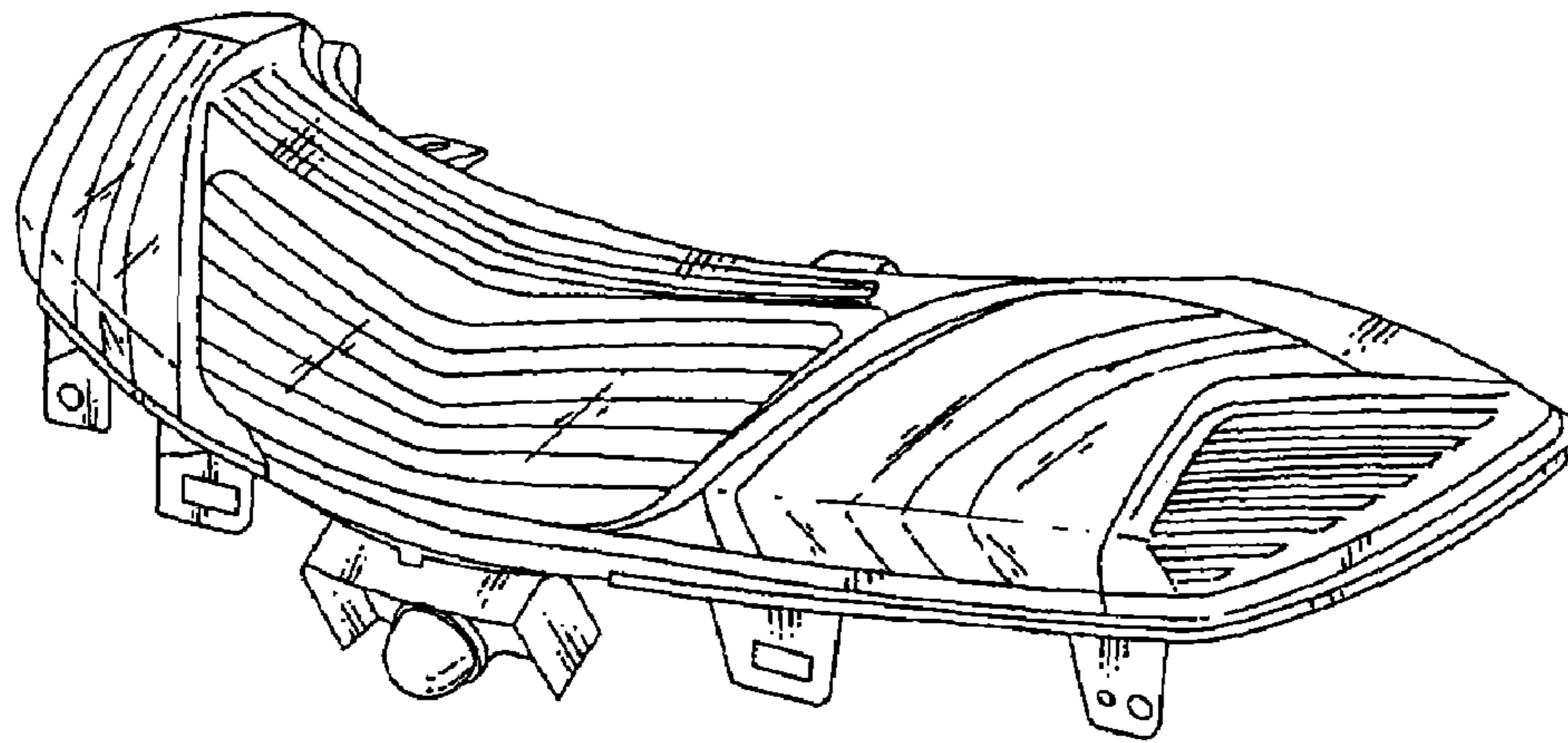


FIG. 1

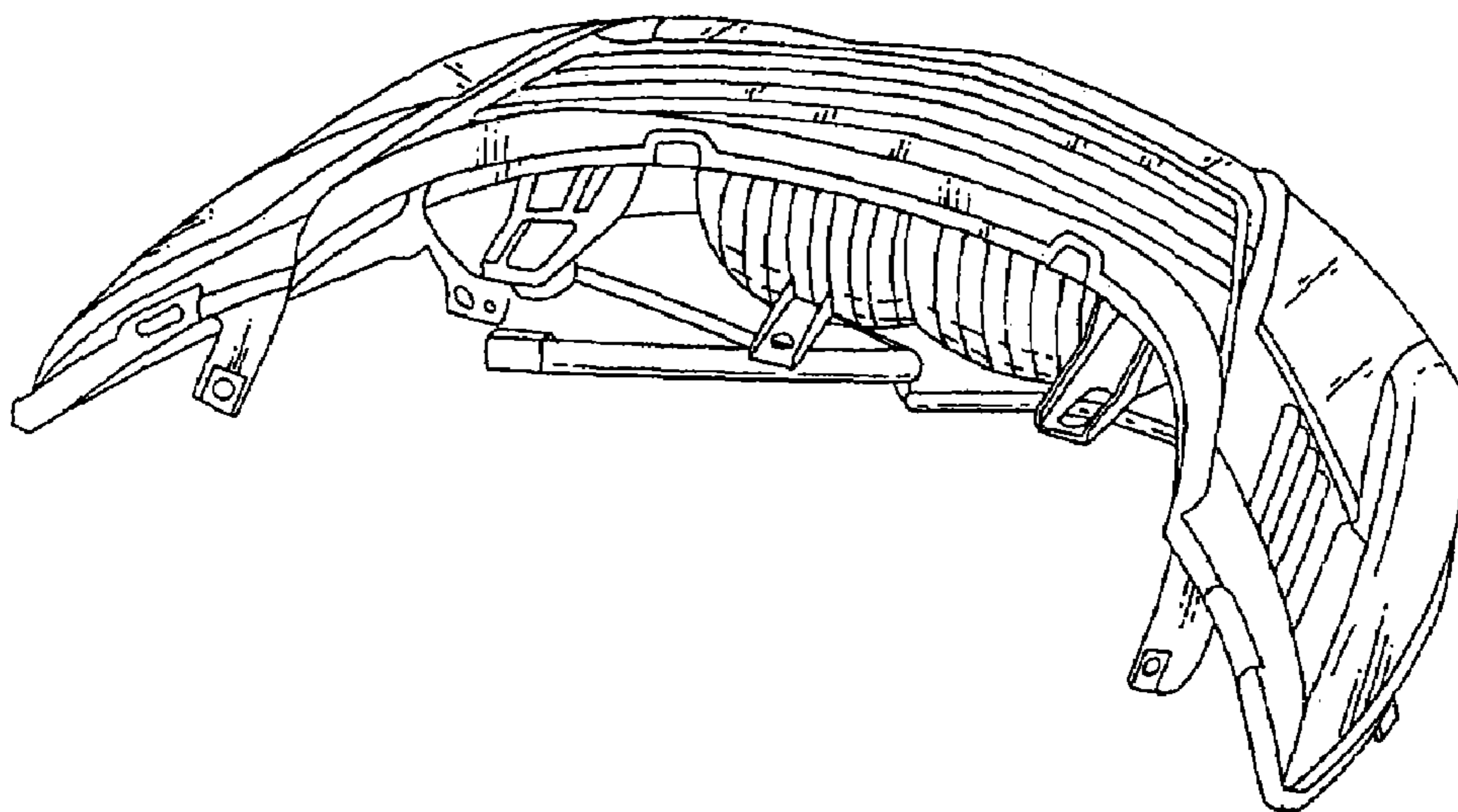


FIG. 2

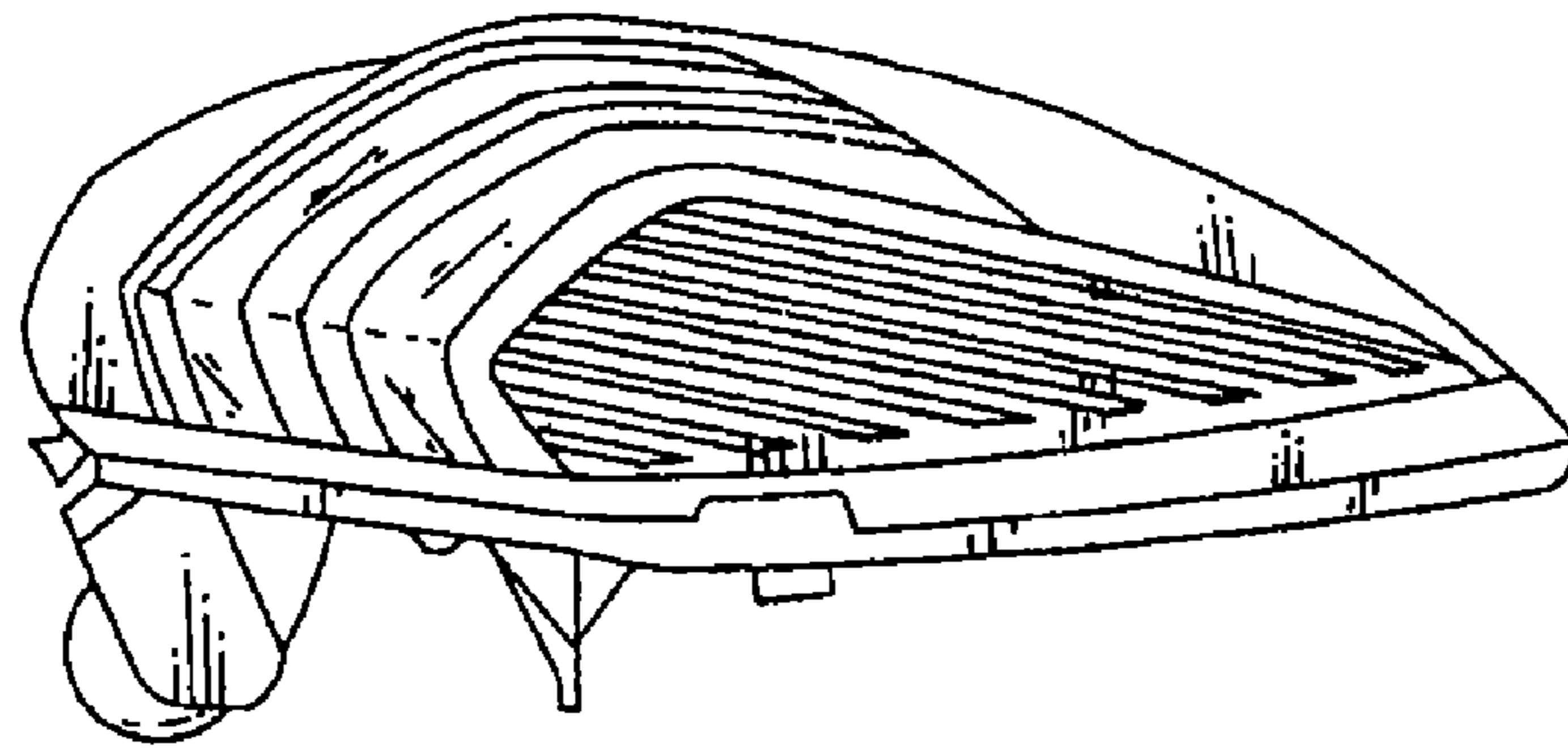


FIG. 4

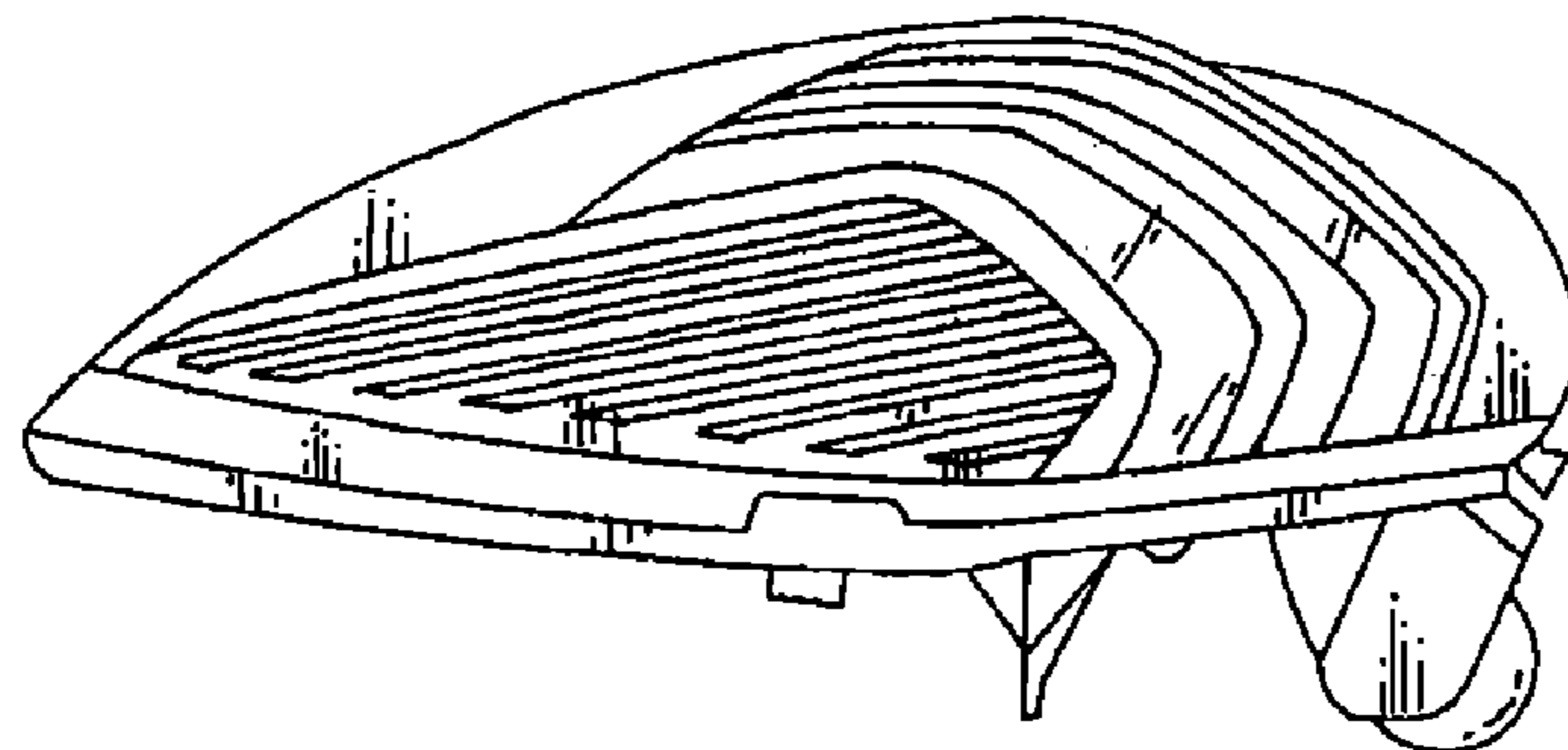


FIG. 3

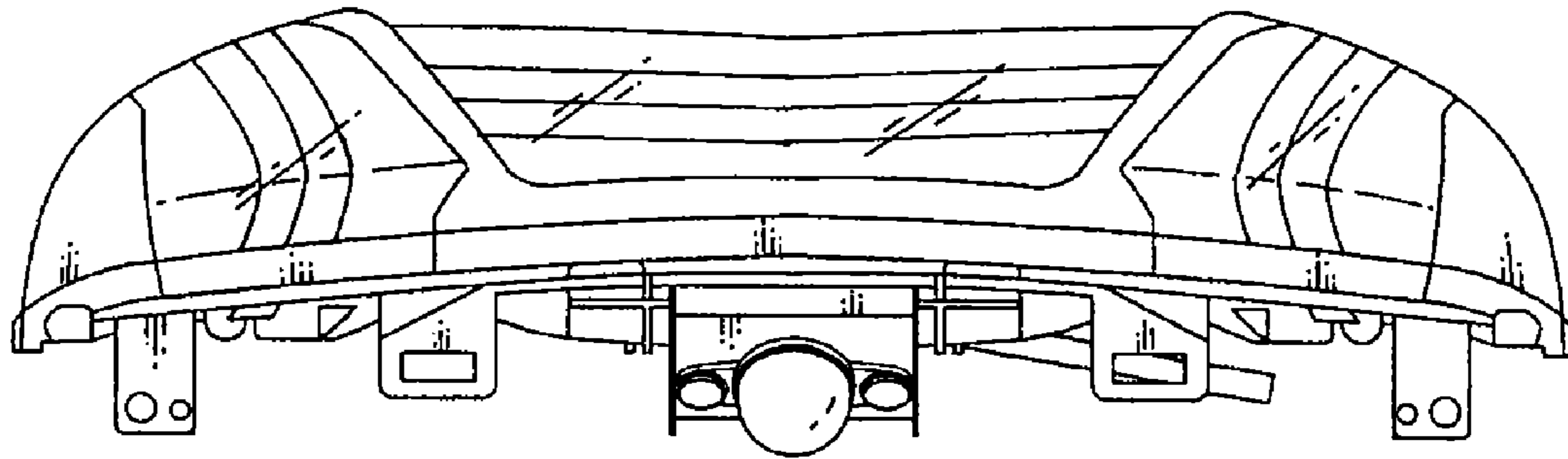


FIG. 5

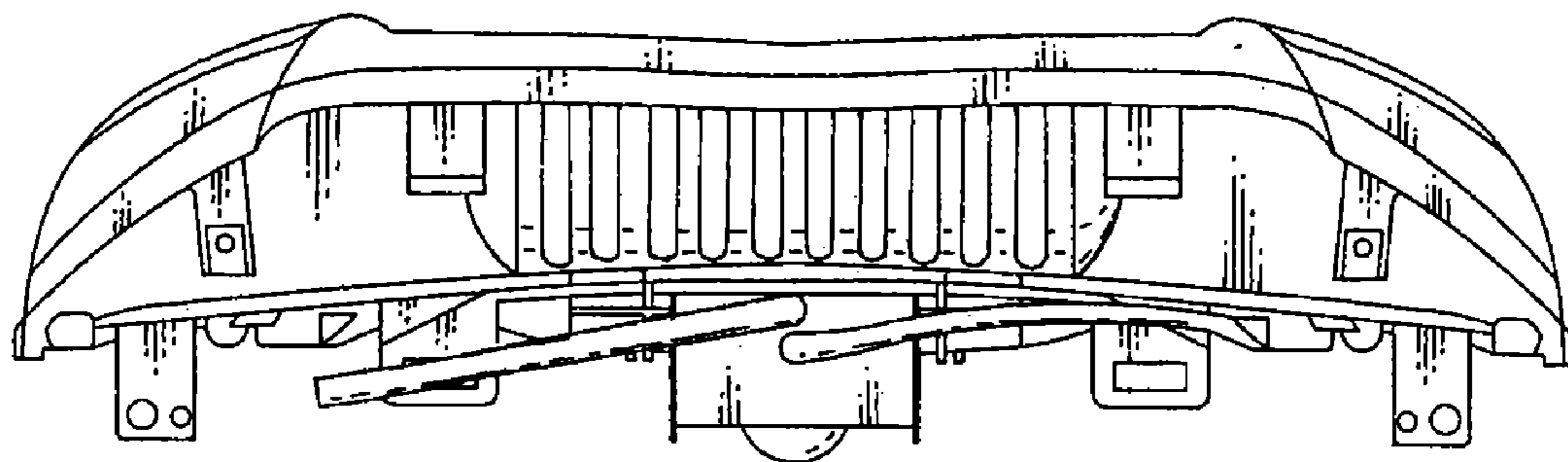


FIG. 6

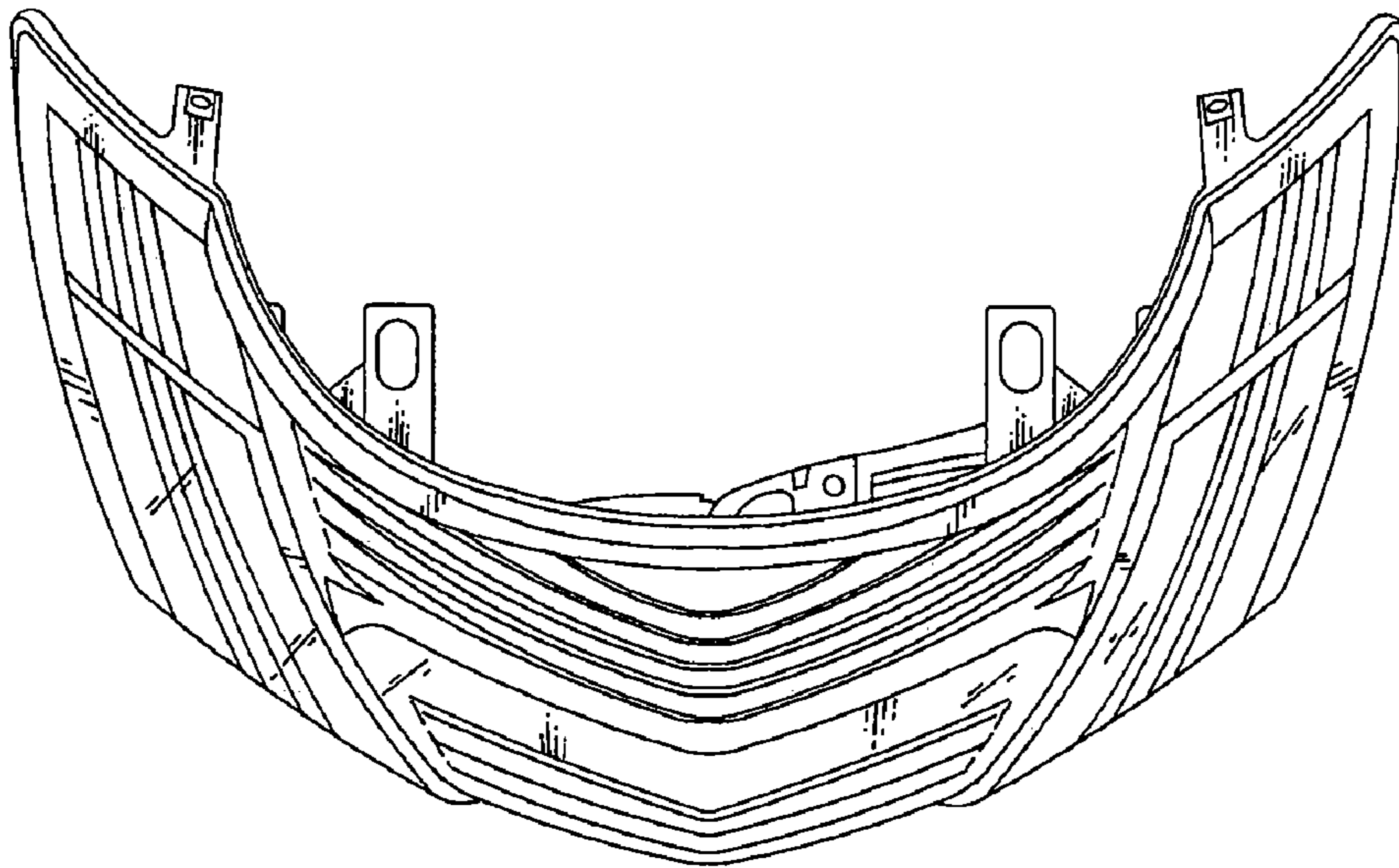


FIG. 7

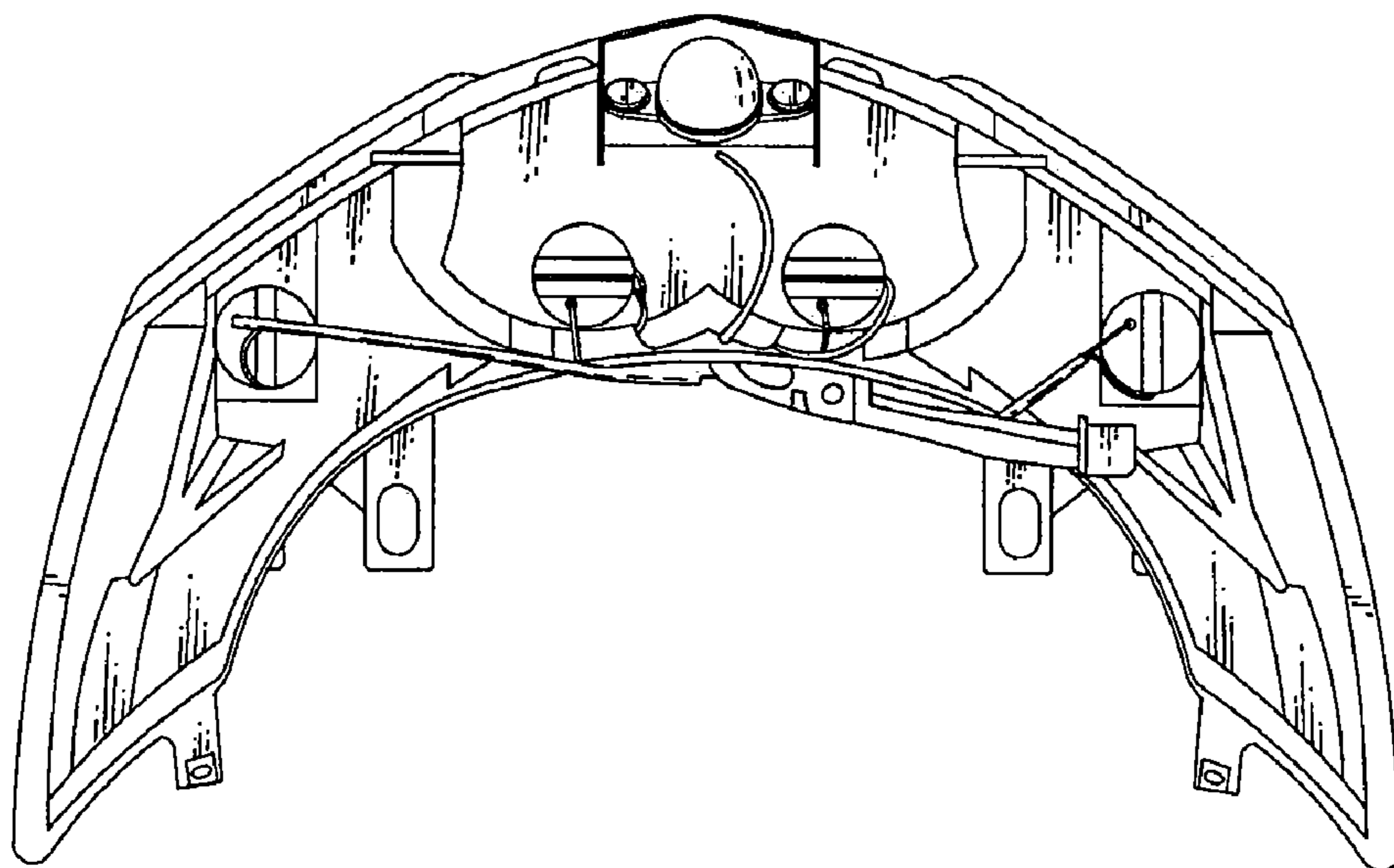


FIG. 8