



US00D551361S

(12) **United States Design Patent**  
**Price**

(10) **Patent No.:** **US D551,361 S**

(45) **Date of Patent:** **\*\* Sep. 18, 2007**

(54) **STACKABLE WALL BLOCK**

6,651,401 B2 11/2003 Price et al.  
D485,371 S \* 1/2004 Burgess et al. .... D25/113  
7,059,808 B2 \* 6/2006 Risi ..... 405/284  
7,096,635 B2 8/2006 Price

(75) Inventor: **Brian A Price**, Rochester, MN (US)

(73) Assignee: **Mortarless Technologies, LLC**,  
Rochester, MN (US)

(\*\*) Term: **14 Years**

(21) Appl. No.: **29/260,145**

(22) Filed: **May 19, 2006**

(51) **LOC (8) Cl.** ..... **25-01**

(52) **U.S. Cl.** ..... **D25/113**

(58) **Field of Classification Search** ..... D25/112-118;  
D21/484, 489-490, 492-502; 405/15-16,  
405/33, 35, 284-286; 404/29-42; 52/503,  
52/504, 575, 596-599, 603-605, 608, 612  
See application file for complete search history.

(56) **References Cited**

**U.S. PATENT DOCUMENTS**

1,260,024 A \* 3/1918 Parton ..... 52/302.3  
1,795,451 A \* 3/1931 Sharpe ..... 52/314  
1,816,916 A \* 8/1931 Sentrop ..... 52/351  
5,622,456 A \* 4/1997 Risi et al. .... 405/284  
5,647,185 A \* 7/1997 Forlini ..... 52/604  
D403,437 S \* 12/1998 Risi et al. .... D25/113  
D405,193 S \* 2/1999 Scales ..... D25/113  
D466,229 S \* 11/2002 Risi et al. .... D25/113  
D479,342 S \* 9/2003 Dawson ..... D25/113

**OTHER PUBLICATIONS**

“Classic” product literature, Rockwood Retaining Walls, 12 pgs., 1997.

\* cited by examiner

*Primary Examiner*—Louis S. Zarfaz

*Assistant Examiner*—G. Andoll

(74) *Attorney, Agent, or Firm*—Patterson, Thuente, Skaar & Christensen, P.A.

(57) **CLAIM**

I claim the ornamental design for a stackable wall block, as shown.

**DESCRIPTION**

FIG. 1 is a perspective view of a stackable wall block showing my new design.

FIG. 2 is a front view thereof.

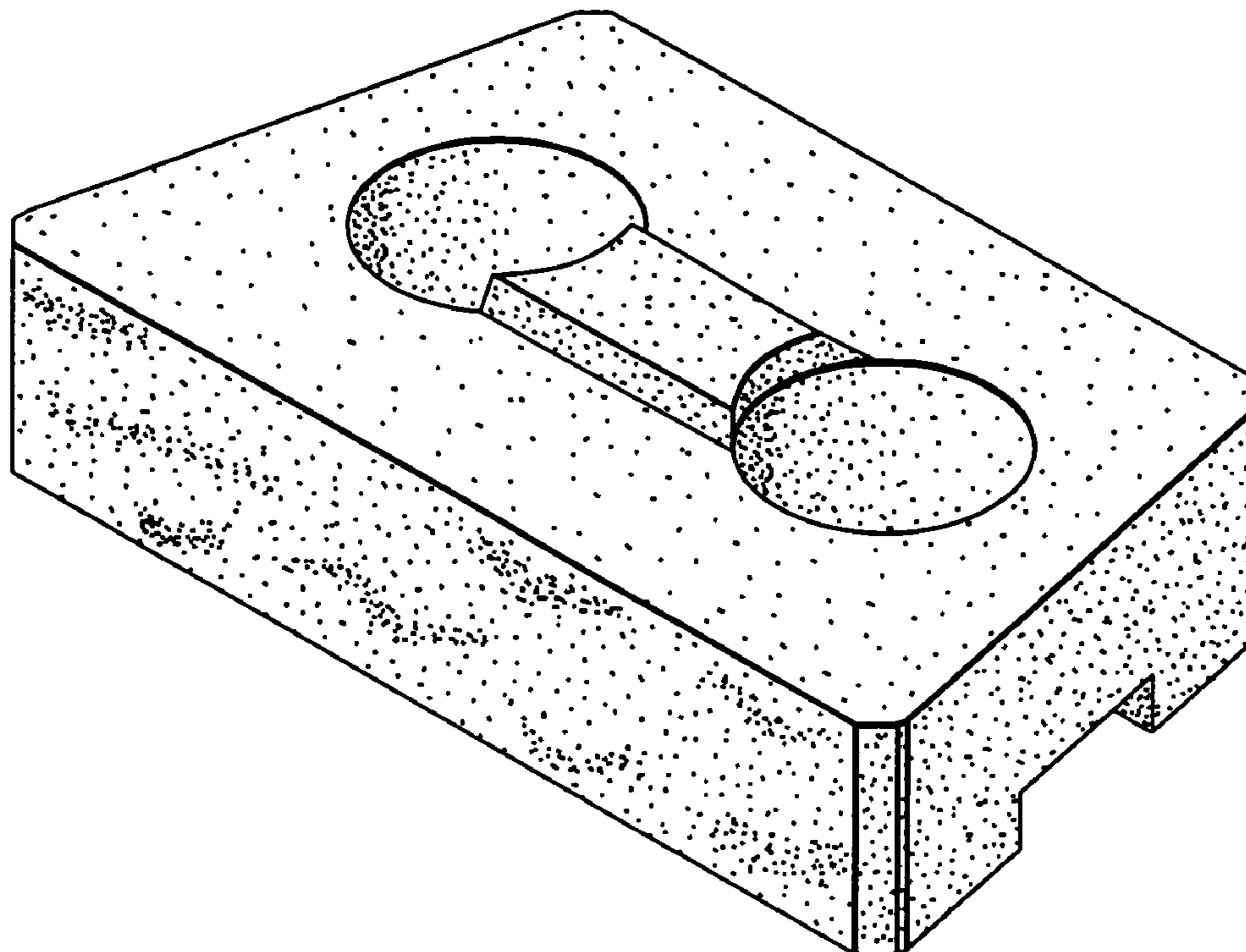
FIG. 3 is a rear view thereof.

FIG. 4 is a bottom view thereof.

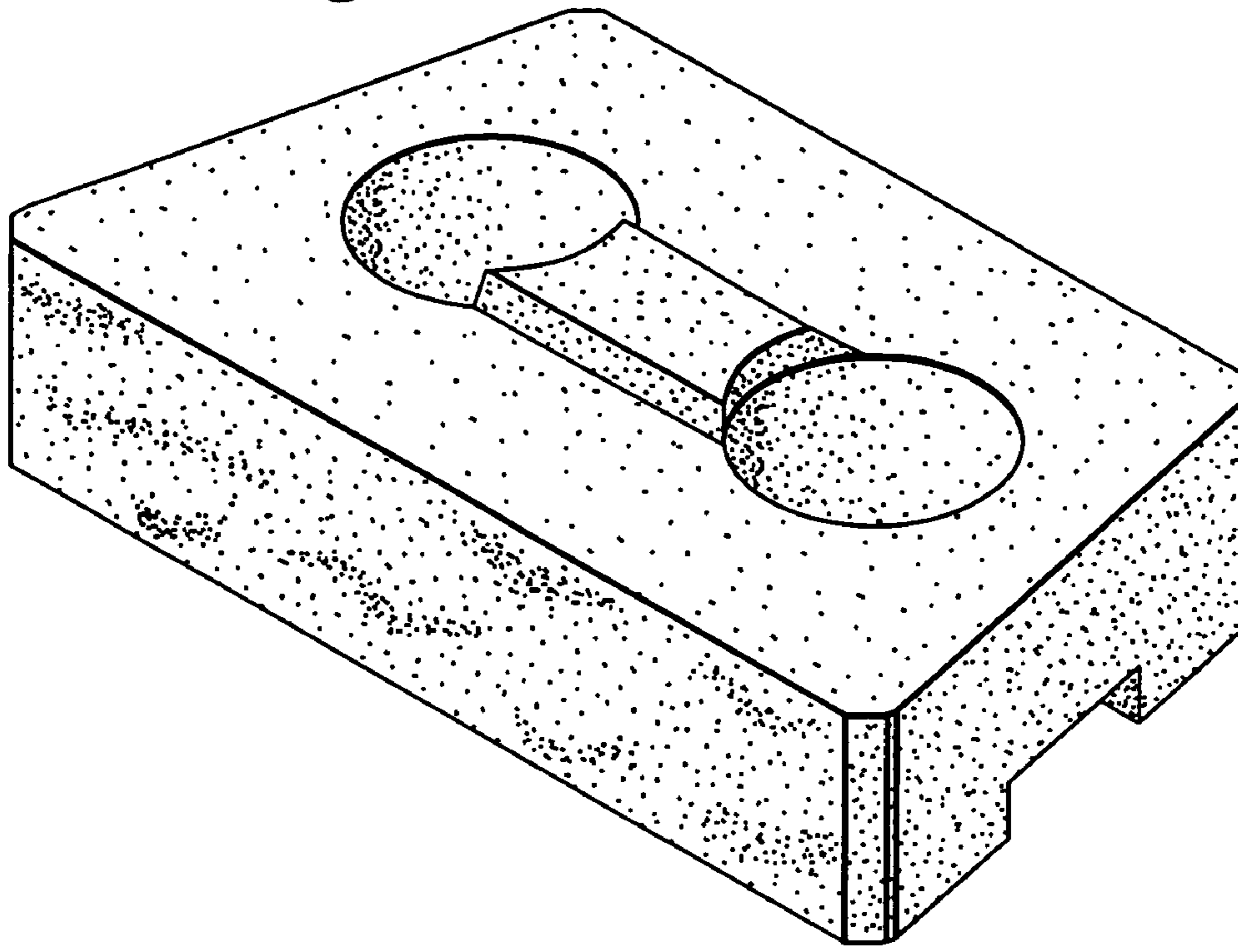
FIG. 5 is a top view thereof; and,

FIG. 6 is a side view thereof.

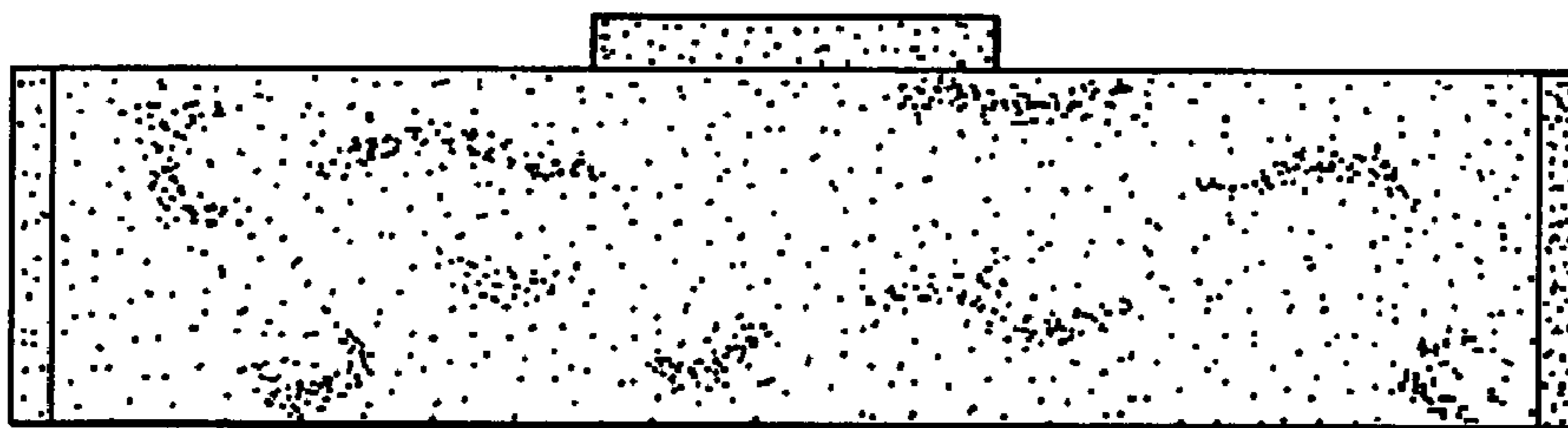
**1 Claim, 2 Drawing Sheets**



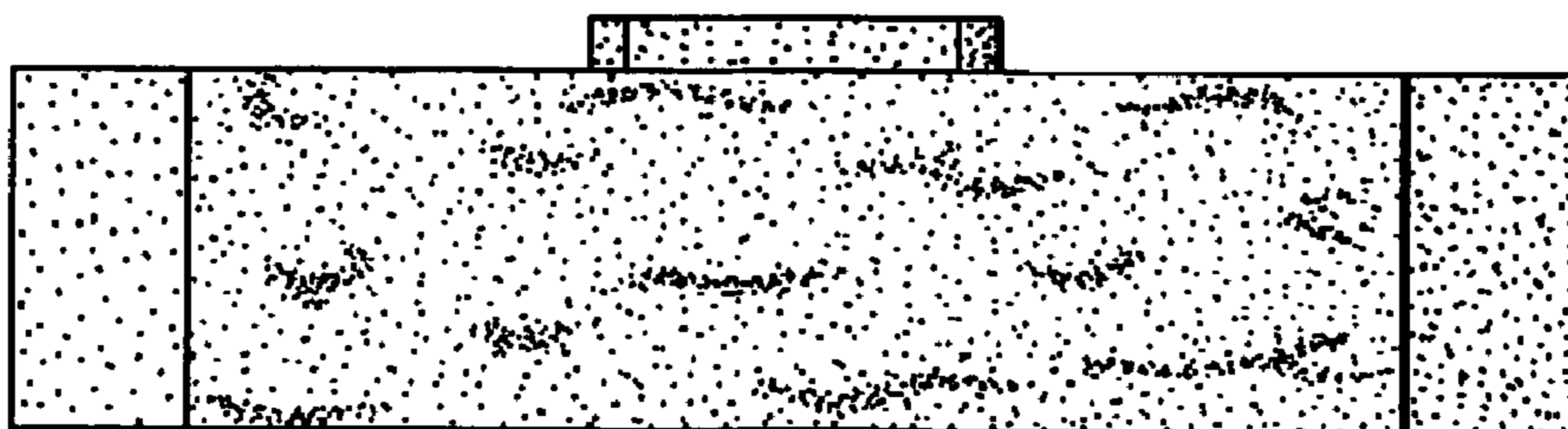
**Fig. 1**



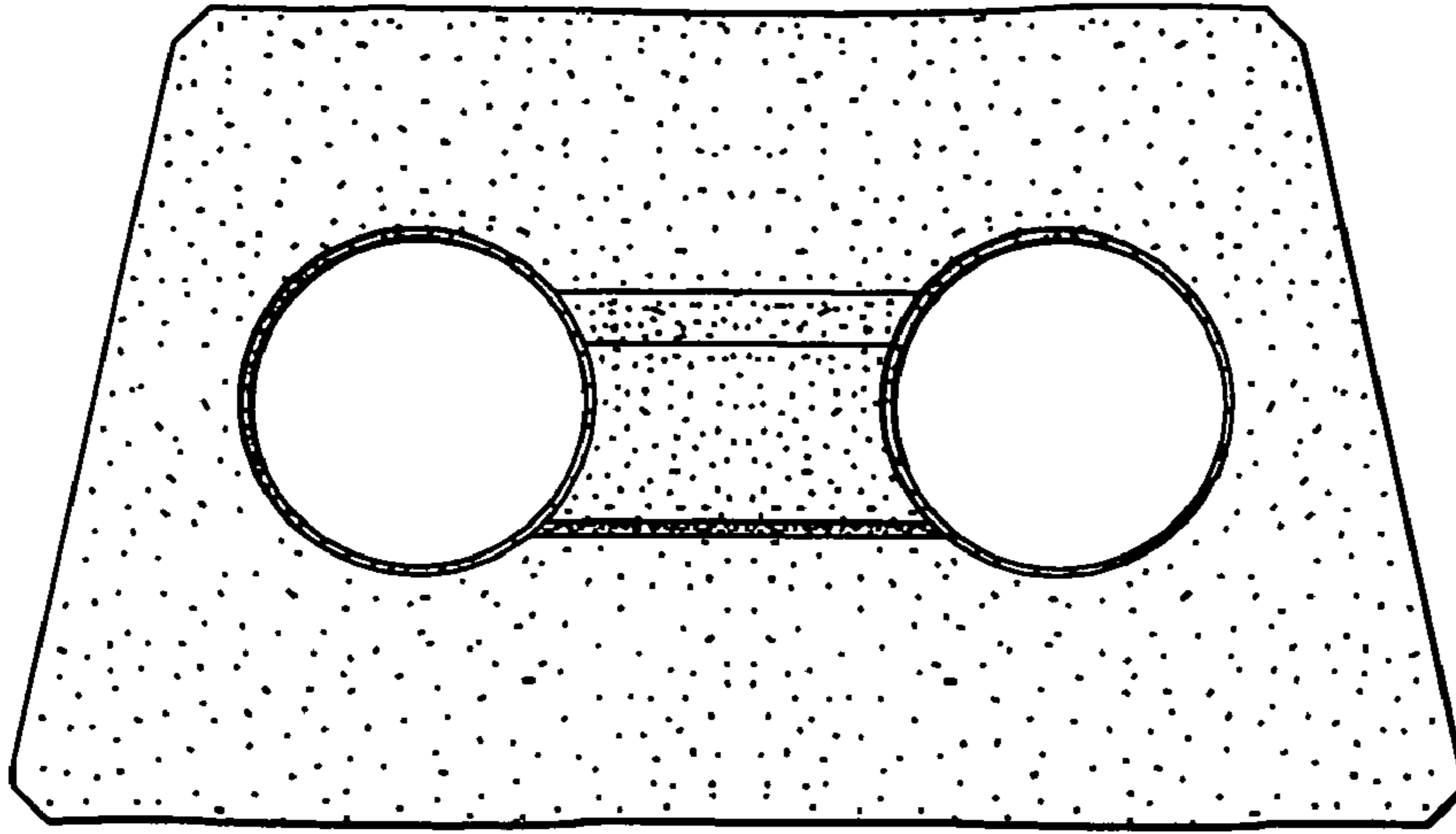
**Fig. 2**



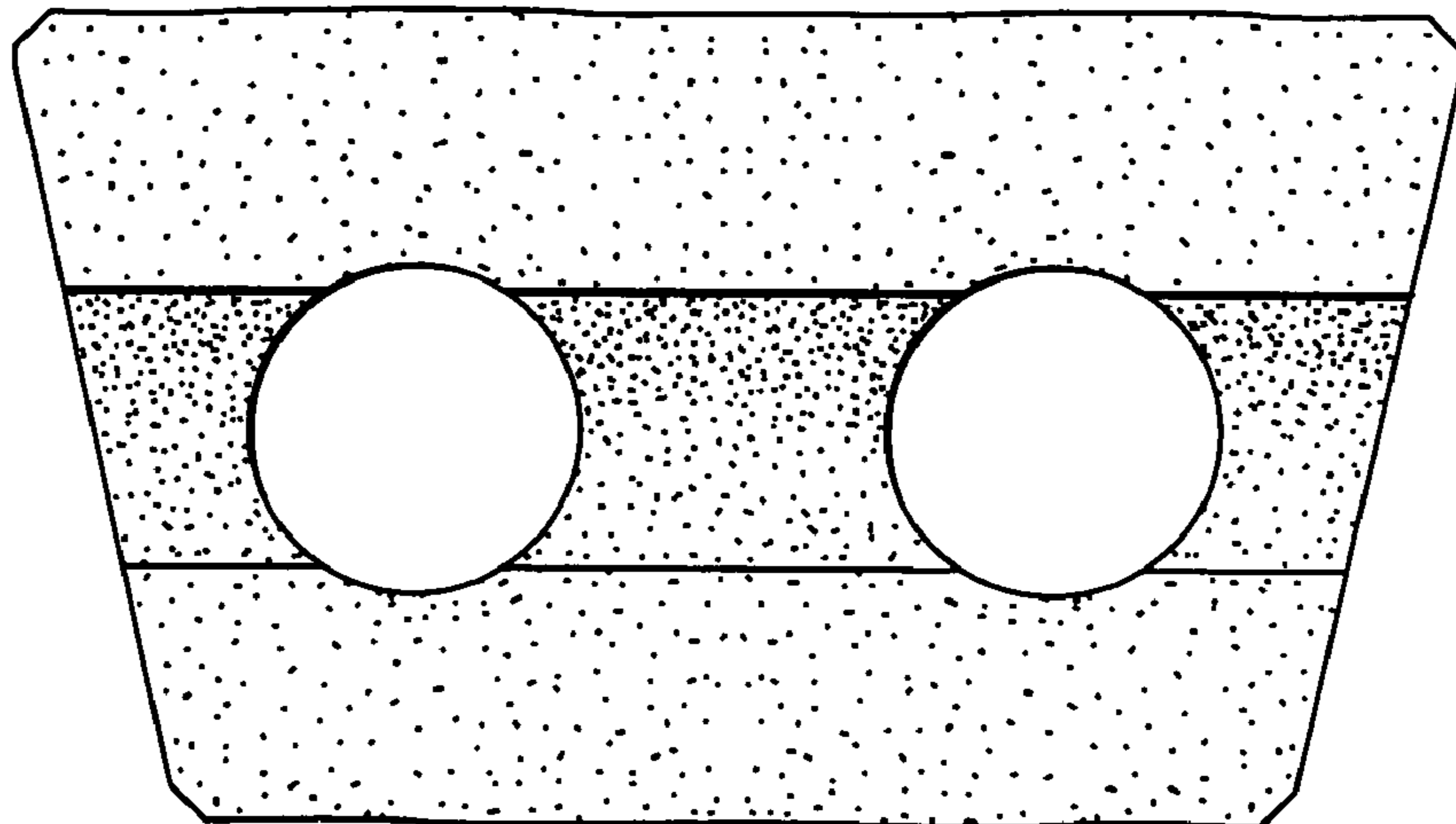
**Fig. 3**



**Fig. 4**



**Fig. 5**



**Fig. 6**

