



US00D551357S

(12) **United States Design Patent**
Loyd

(10) **Patent No.:** **US D551,357 S**
(45) **Date of Patent:** **** Sep. 18, 2007**

(54) **PORTABLE SPA SHELL**

D529,182 S * 9/2006 Loyd D24/204

(76) Inventor: **Casey Loyd**, 1462 E. 9th St., Pomona,
CA (US) 91766

* cited by examiner

(**) Term: **14 Years**

Primary Examiner—Ian Simmons
Assistant Examiner—Melanie Levy
(74) *Attorney, Agent, or Firm*—Denton L. Anderson;
Sheldon Mak Rose & Anderson PC

(21) Appl. No.: **29/248,183**

(22) Filed: **Aug. 1, 2006**

(57) **CLAIM**

(51) **LOC (8) Cl.** **24-04**

I claim the ornamental design for a portable spa shell, as shown and described.

(52) **U.S. Cl.** **D24/204**

(58) **Field of Classification Search** D24/200–205;
D23/277; 601/154–158; 4/541.1–541.6,
4/547, 578.1, 579

DESCRIPTION

See application file for complete search history.

FIG. 1 is a first perspective view of the portable spa shell of the invention;

(56) **References Cited**

U.S. PATENT DOCUMENTS

FIG. 2 is a second perspective view of the portable spa shell illustrated in FIG. 1;

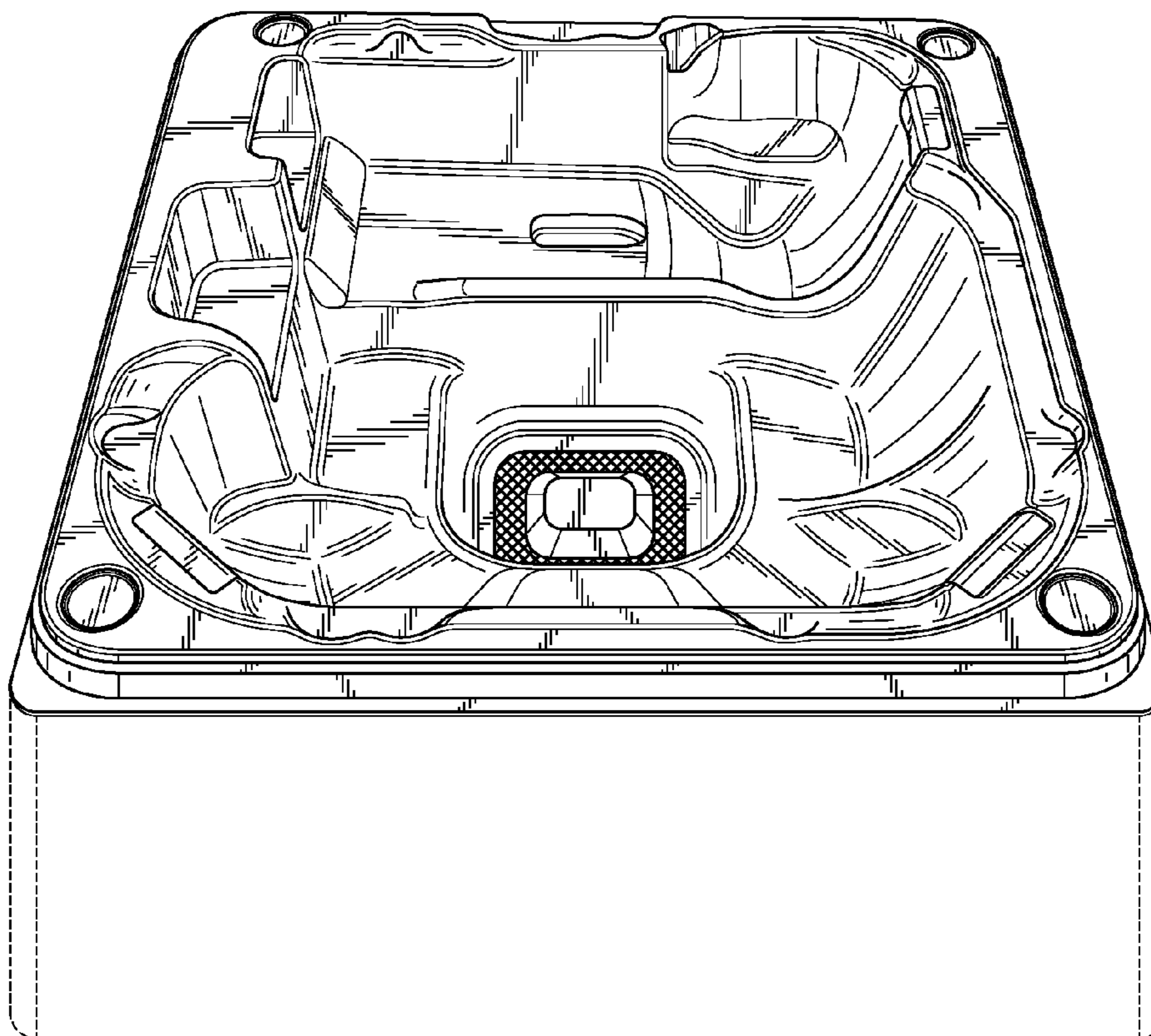
D405,186 S *	2/1999	Larsen	D24/204
D429,528 S *	8/2000	Magray et al.	D24/204
D446,309 S *	8/2001	Bower	D24/204
D446,310 S *	8/2001	Bower	D24/204
D446,862 S *	8/2001	Larsen et al.	D24/204
D463,569 S *	9/2002	Bower	D24/204
D465,576 S *	11/2002	Larsen	D24/204
D511,837 S *	11/2005	Loyd	D24/204
D512,152 S *	11/2005	Loyd	D24/204
D522,662 S *	6/2006	Loyd	D24/204

FIG. 3 is a top plan view of the portable spa shell illustrated in FIG. 1;

FIG. 4 is a side elevational view of the portable spa shell illustrated in FIG. 1; the opposite side being identical; and,

FIG. 5 is a front elevational view of the portable spa shell illustrated in Figure a; the rear elevational view being identical.

1 Claim, 4 Drawing Sheets



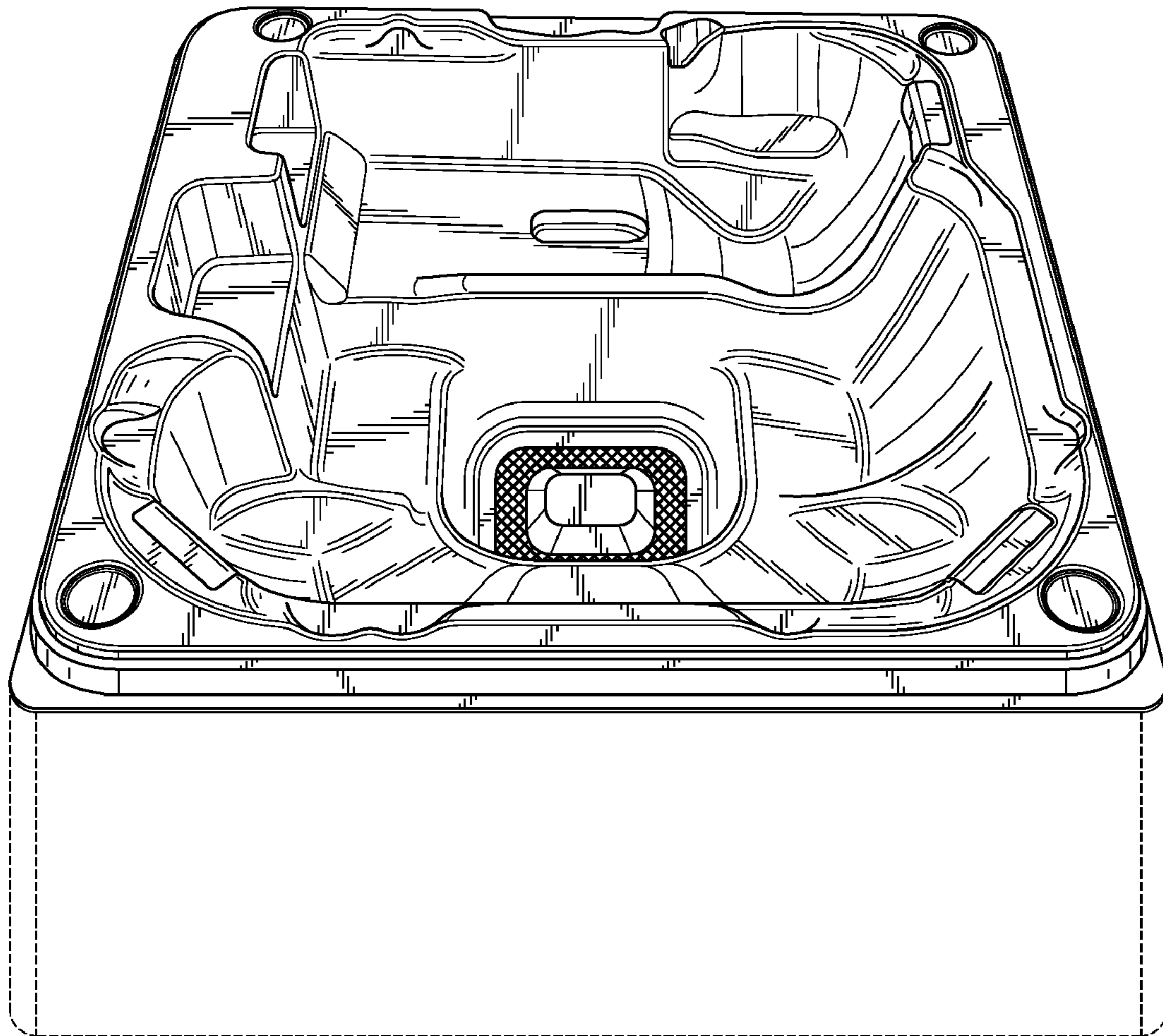


FIG. 1

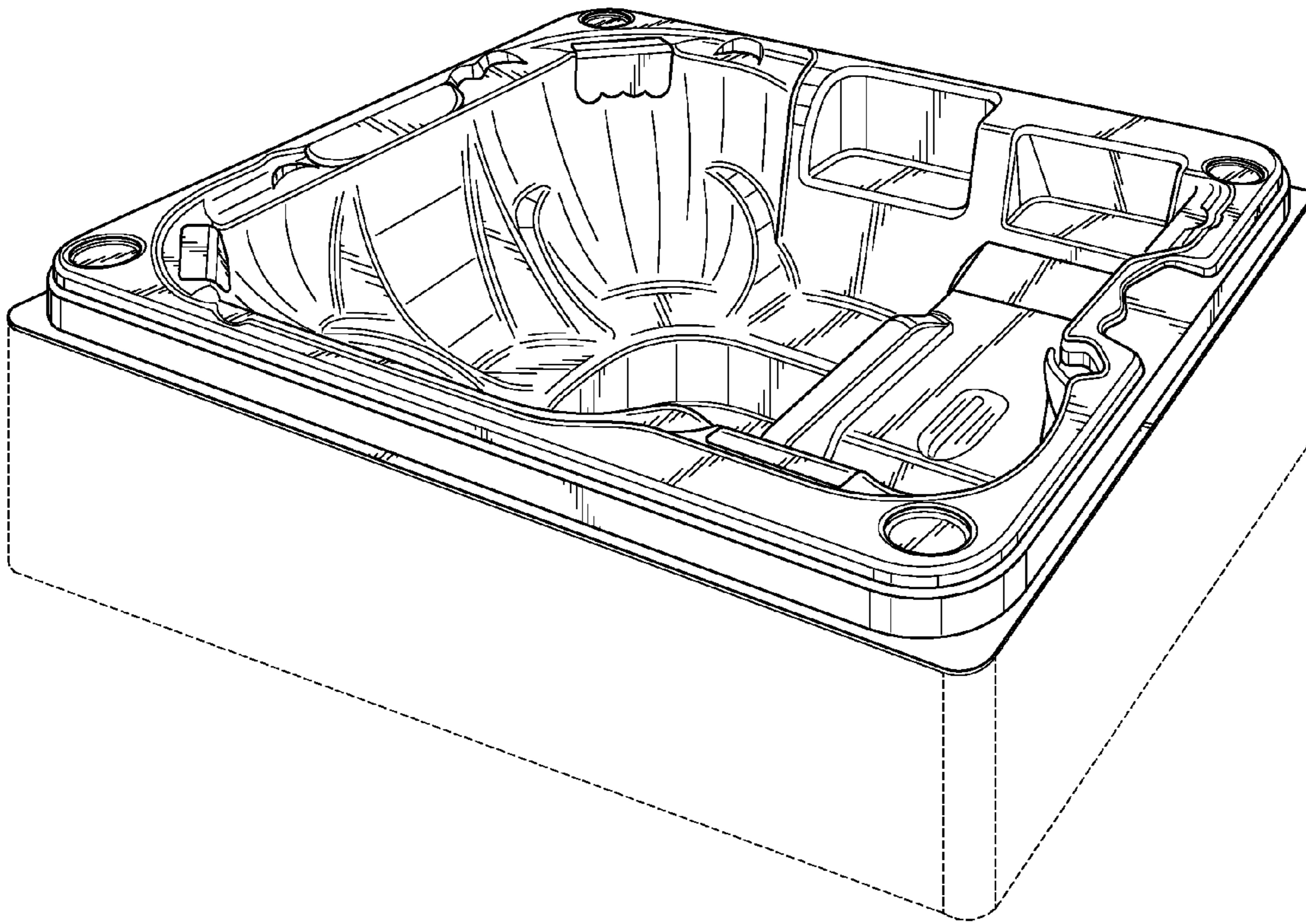


FIG. 2

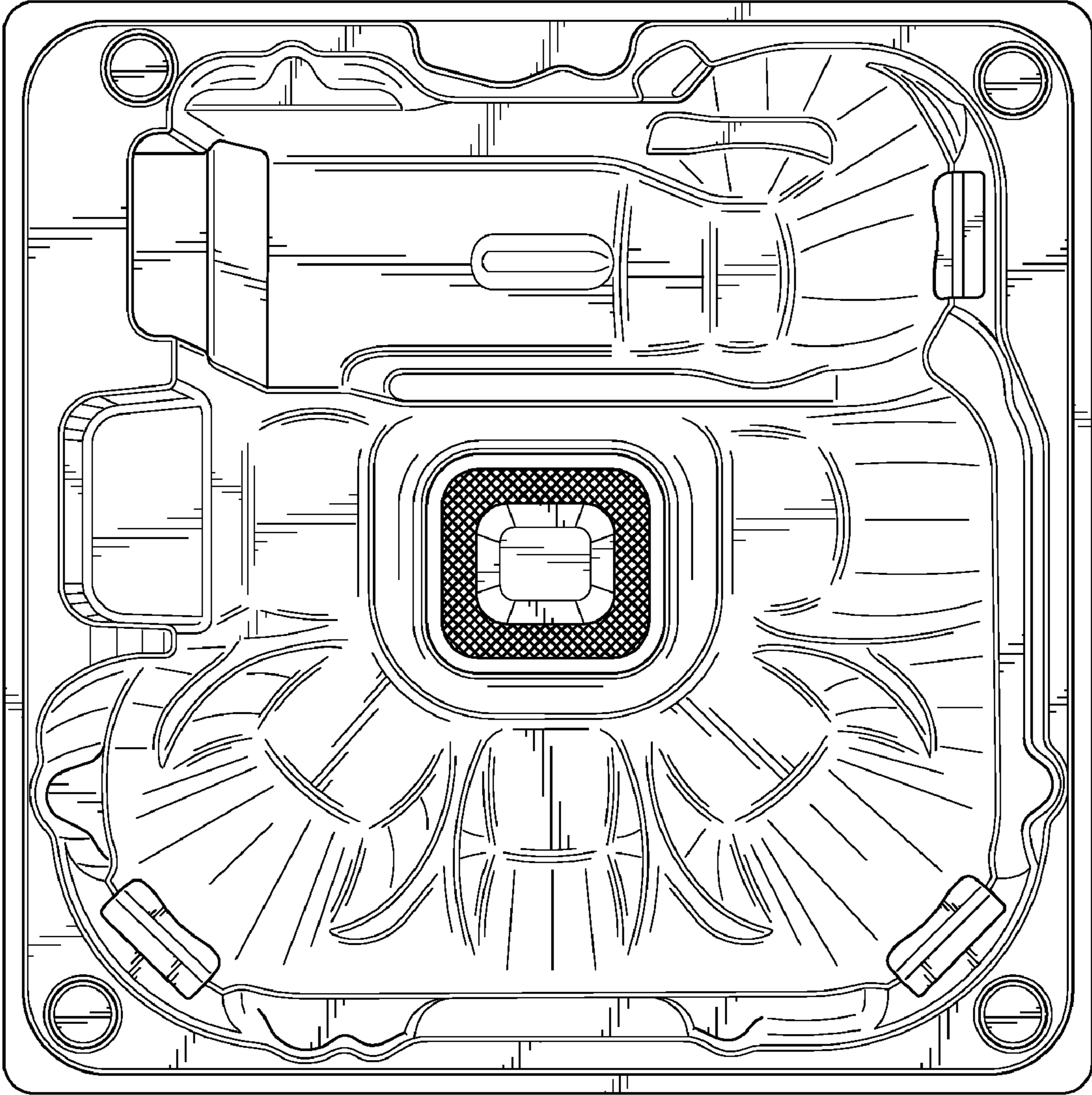


FIG. 3

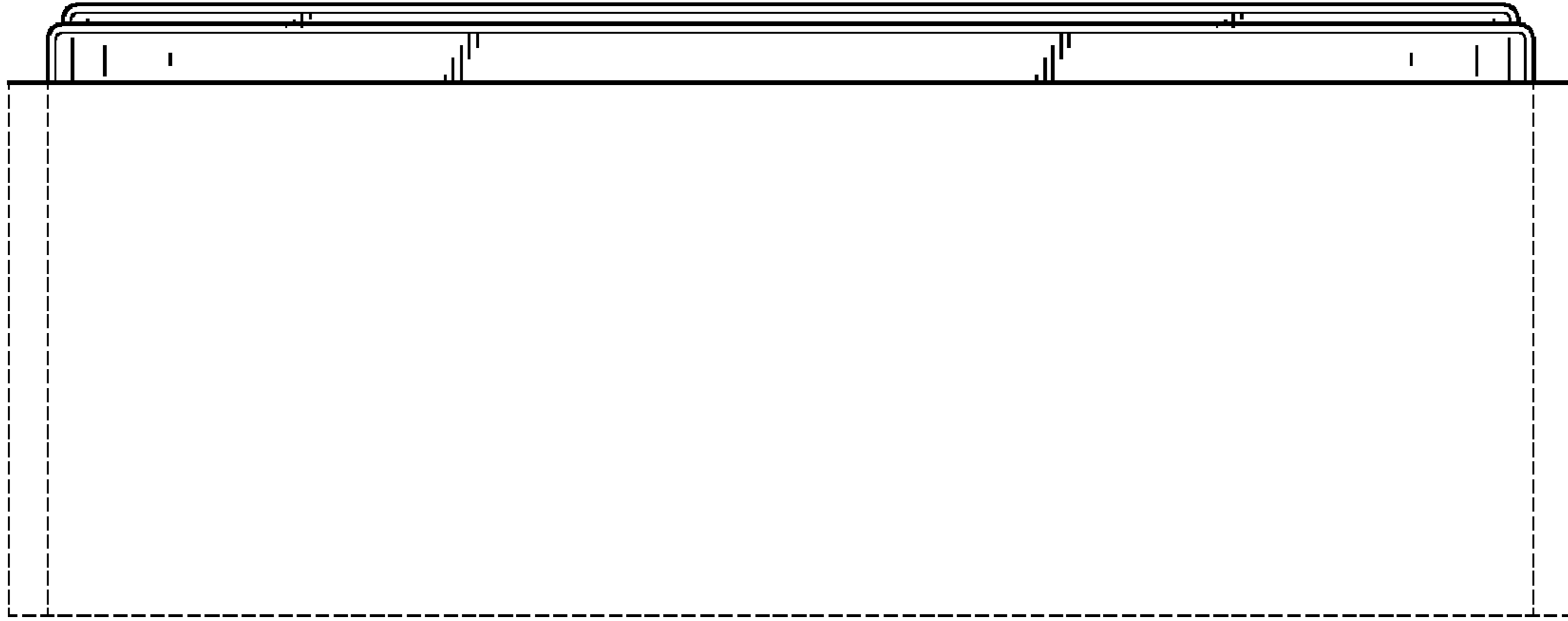


FIG. 4

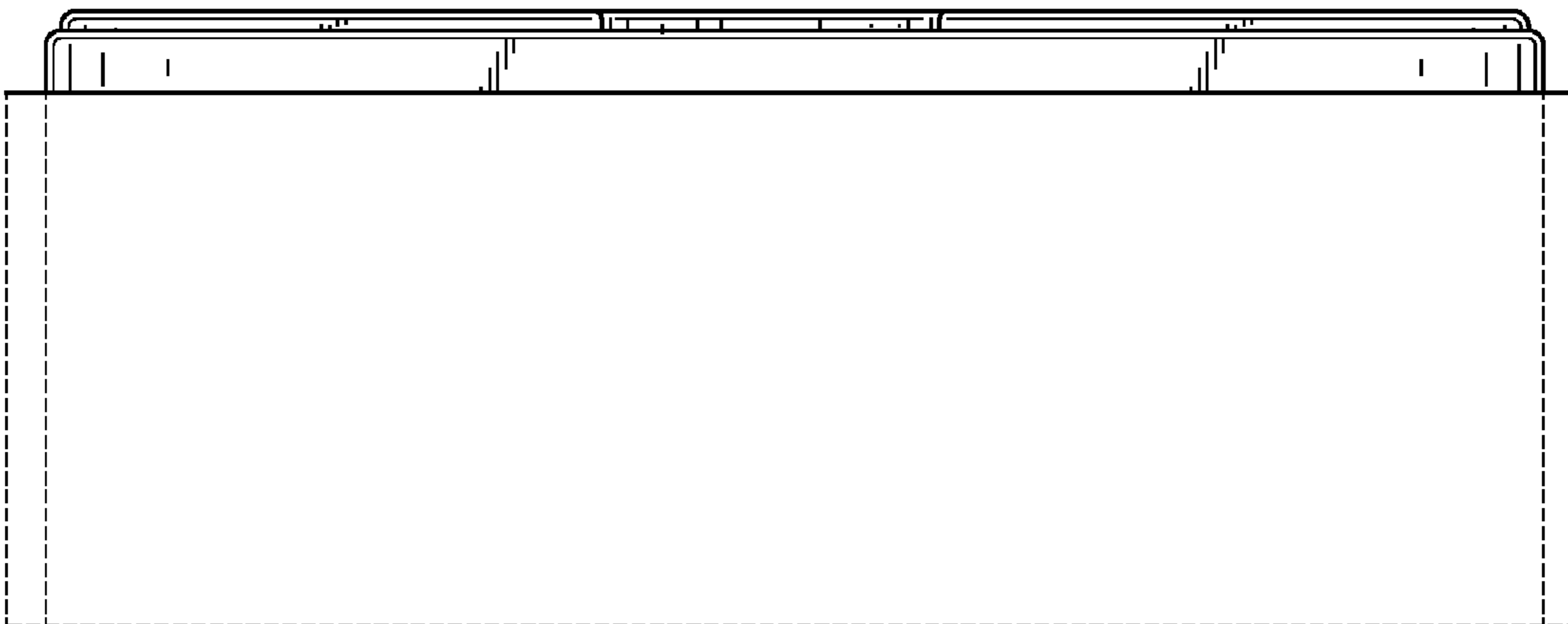


FIG. 5