



US00D551356S

(12) **United States Design Patent**
Loyd

(10) **Patent No.:** **US D551,356 S**

(45) **Date of Patent:** **** Sep. 18, 2007**

(54) **PORTABLE SPA SEAT**

(76) Inventor: **Casey Loyd**, 1462 E. 9th St., Pomona,
CA (US) 91766

(**) Term: **14 Years**

(21) Appl. No.: **29/248,182**

(22) Filed: **Aug. 1, 2006**

(51) **LOC (8) Cl.** **24-04**

(52) **U.S. Cl.** **D24/204**

(58) **Field of Classification Search** D24/200–205;
D23/277; 601/154–158; 4/541.1–541.6,
4/547, 578.1, 579

See application file for complete search history.

(56) **References Cited**

U.S. PATENT DOCUMENTS

D254,988 S *	5/1980	Jones et al.	D24/204
D264,505 S *	5/1982	Reineman	D24/204
D267,043 S *	11/1982	Kingsley et al.	D24/204
D496,107 S *	9/2004	Larsen	D24/204
D511,837 S *	11/2005	Loyd	D24/204
D529,182 S *	9/2006	Loyd	D24/204

* cited by examiner

Primary Examiner—Ian Simmons

Assistant Examiner—Melanie Levy

(74) *Attorney, Agent, or Firm*—Denton L. Anderson;
Sheldon Mak Rose & Anderson PC

(57) **CLAIM**

I claim the ornamental design for a portable spa seat, as shown and described.

DESCRIPTION

FIG. 1 is a first perspective view of the portable spa seat of the invention;

FIG. 2 is a second perspective view of the portable spa seat illustrated in FIG. 1;

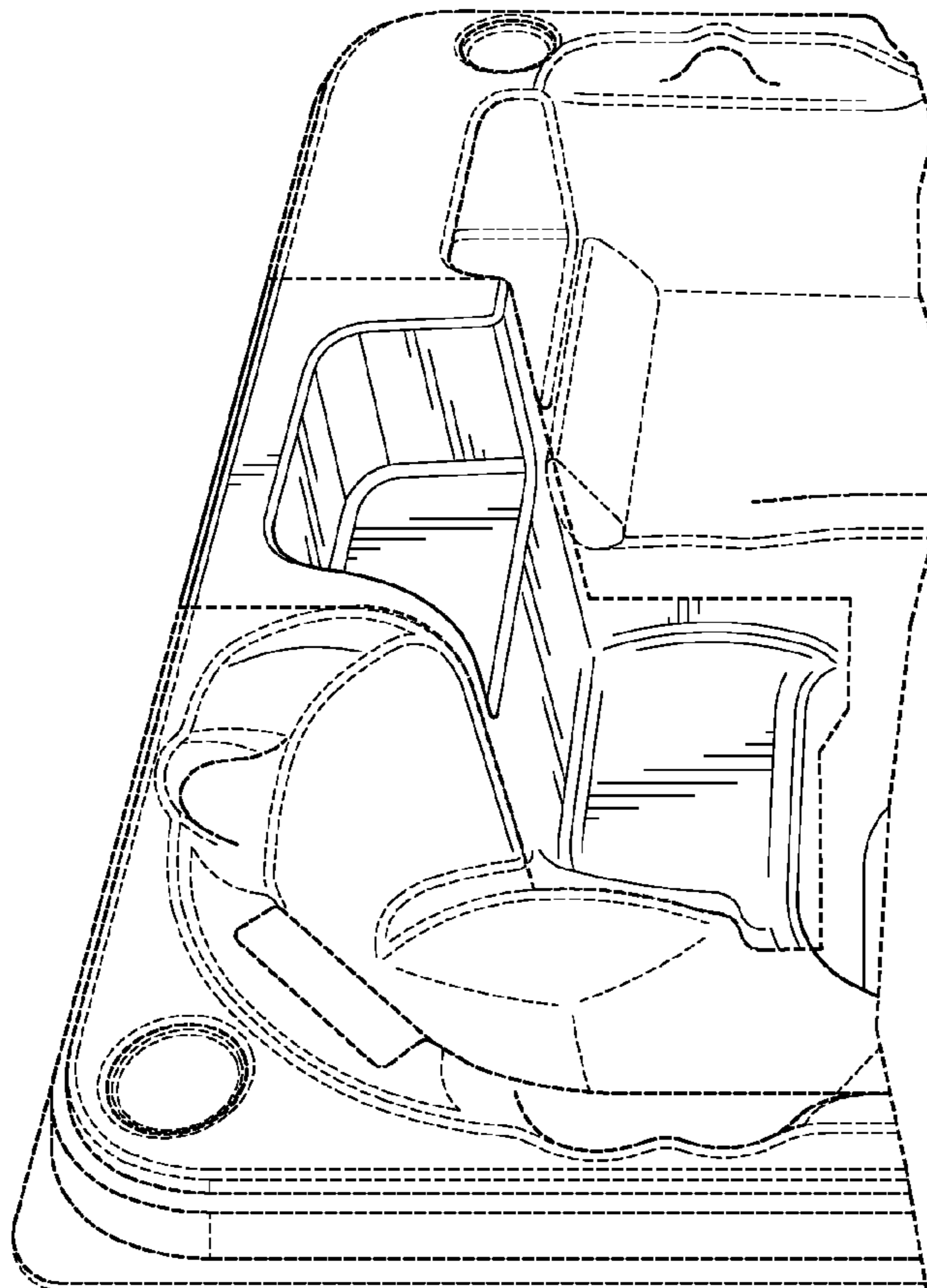
FIG. 3 is a top plan view of the portable spa seat illustrated in FIG. 1;

FIG. 4 is a cross-sectional side view of the portable spa seat illustrated in FIG. 3, taken alone line 4—4; and,

FIG. 5 is a cross-sectional side view of the portable spa seat illustrated in FIG. 3, taken alone line 5—5.

The broken lines are for illustrative purposes only and form no part of the claimed design.

1 Claim, 3 Drawing Sheets



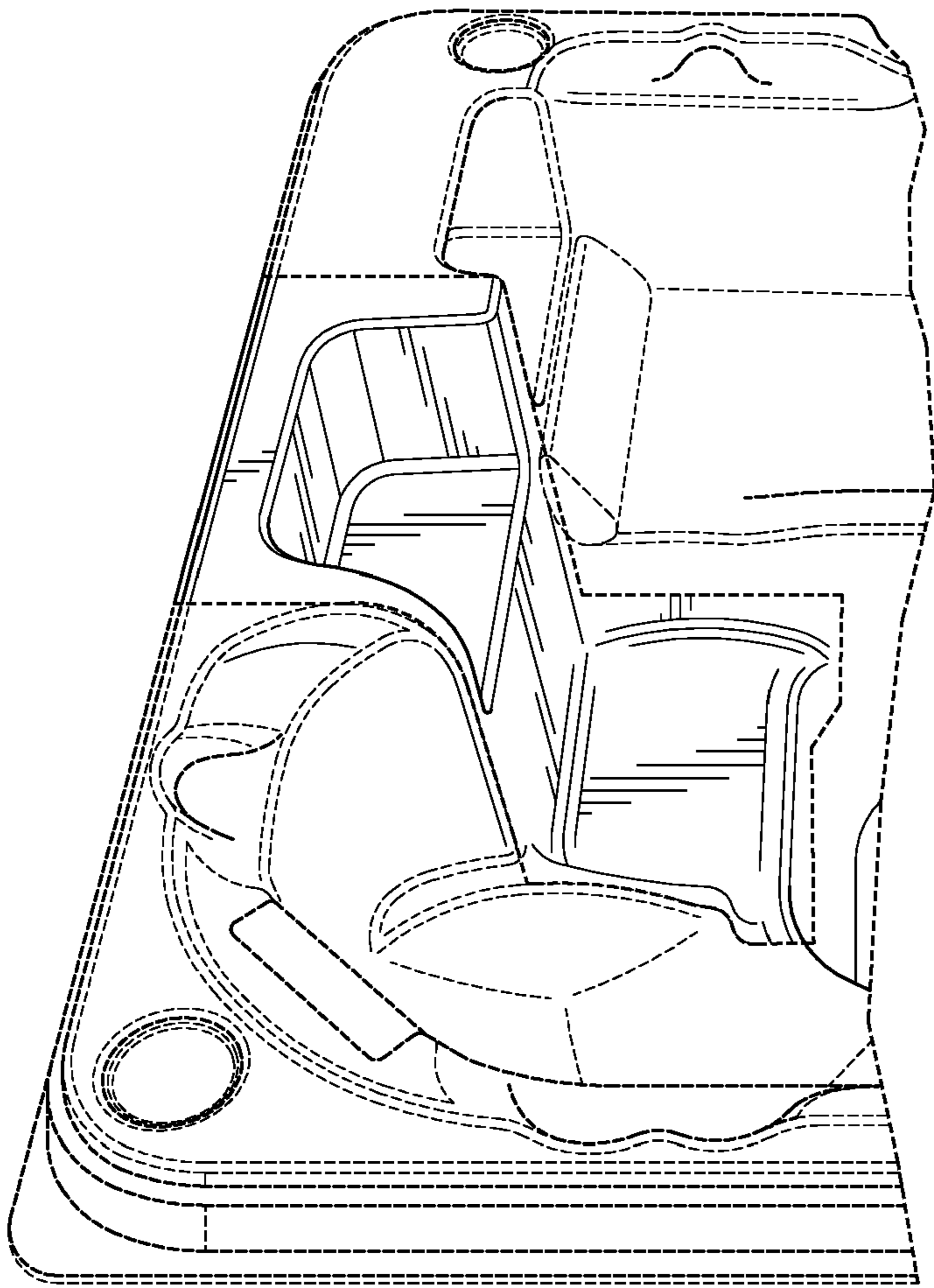


FIG. 1

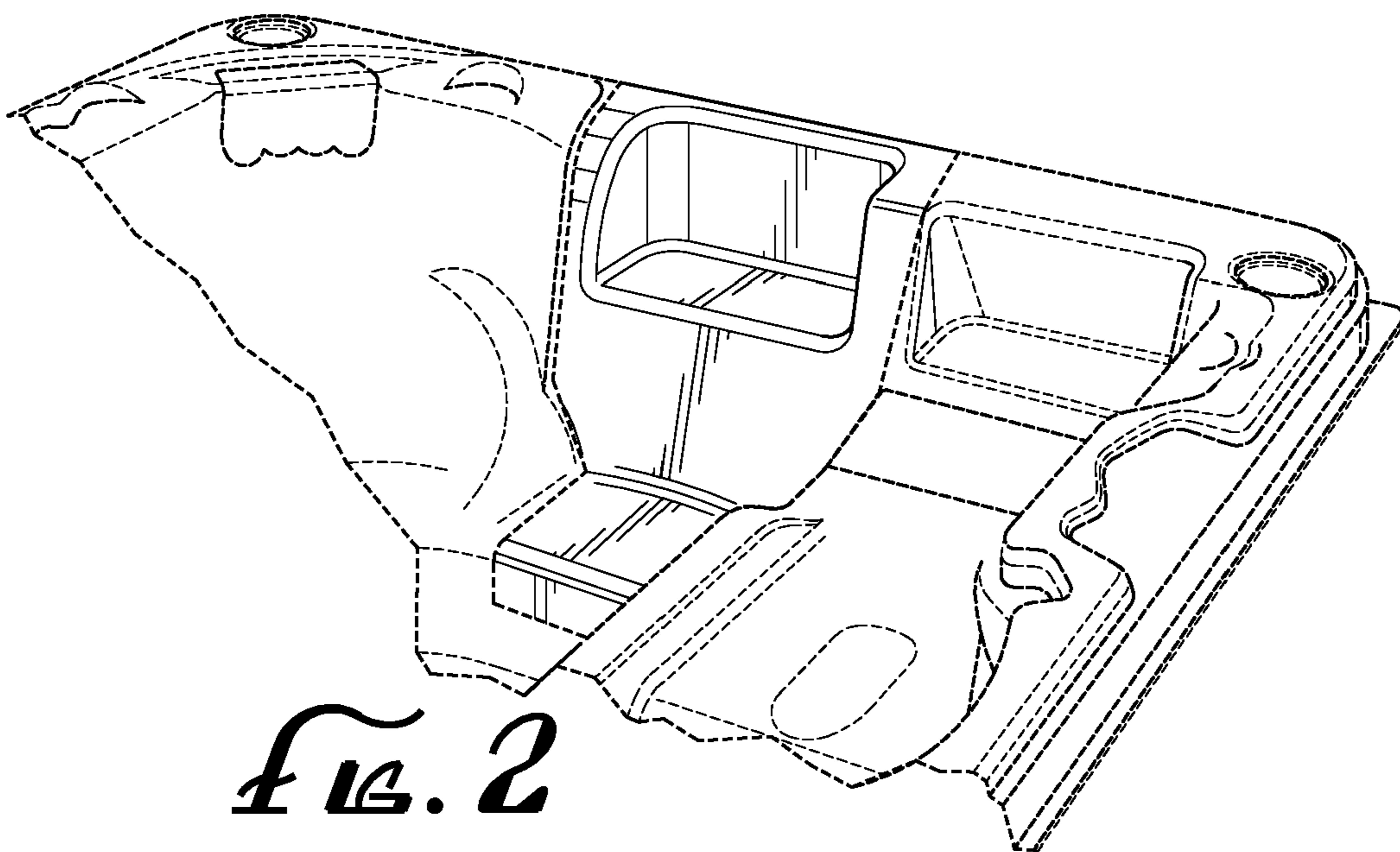


FIG. 2

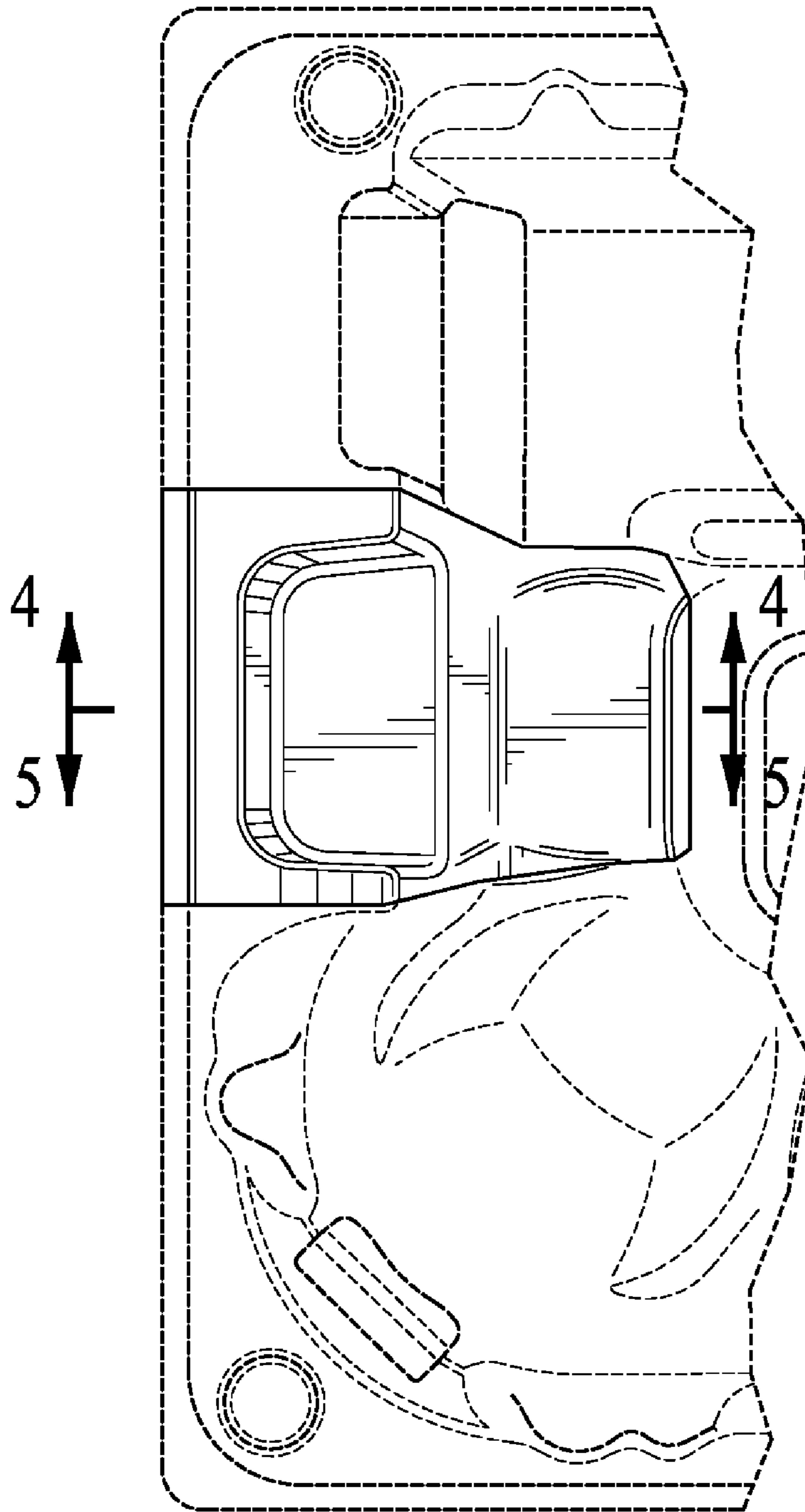


FIG. 3

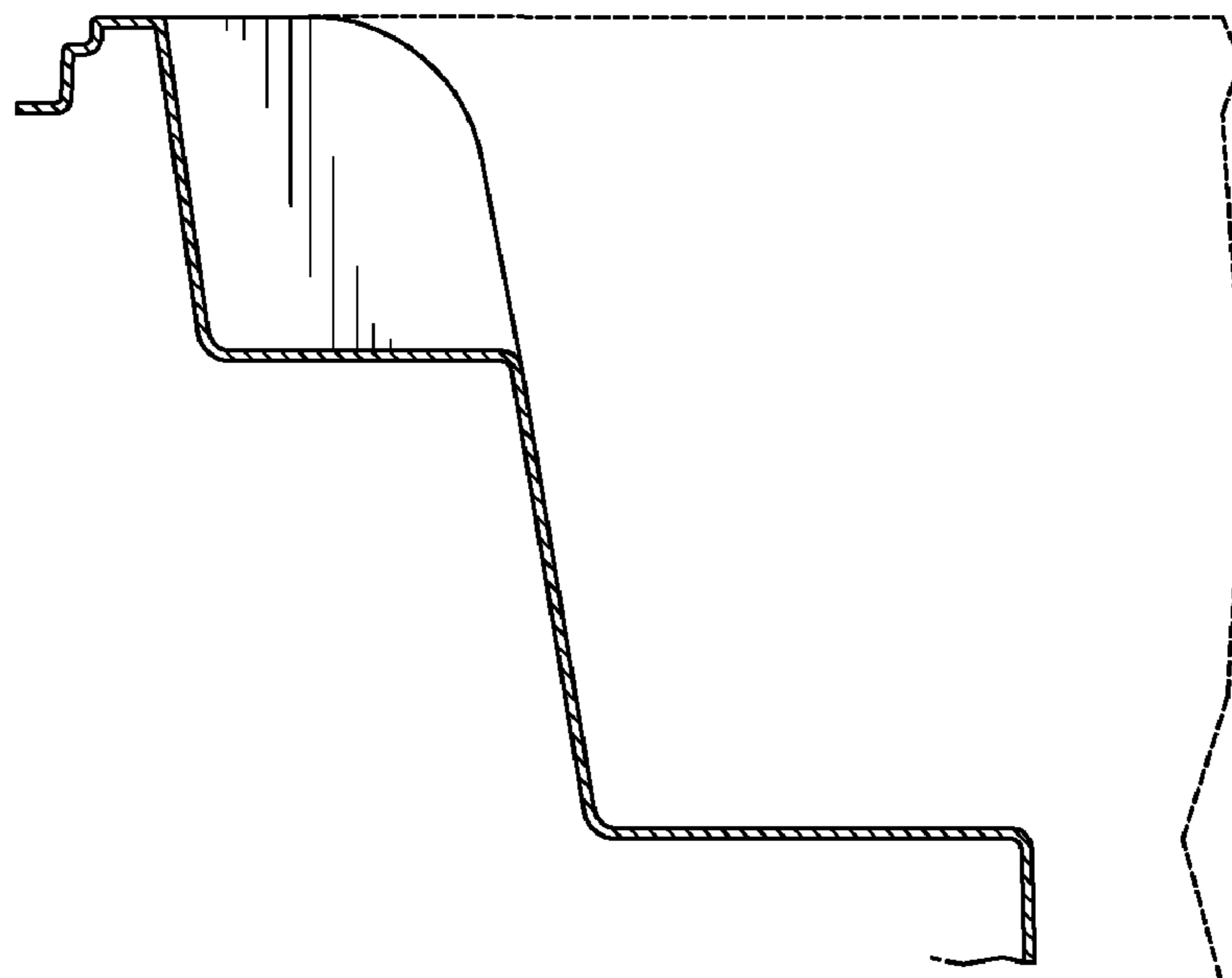


FIG. 4

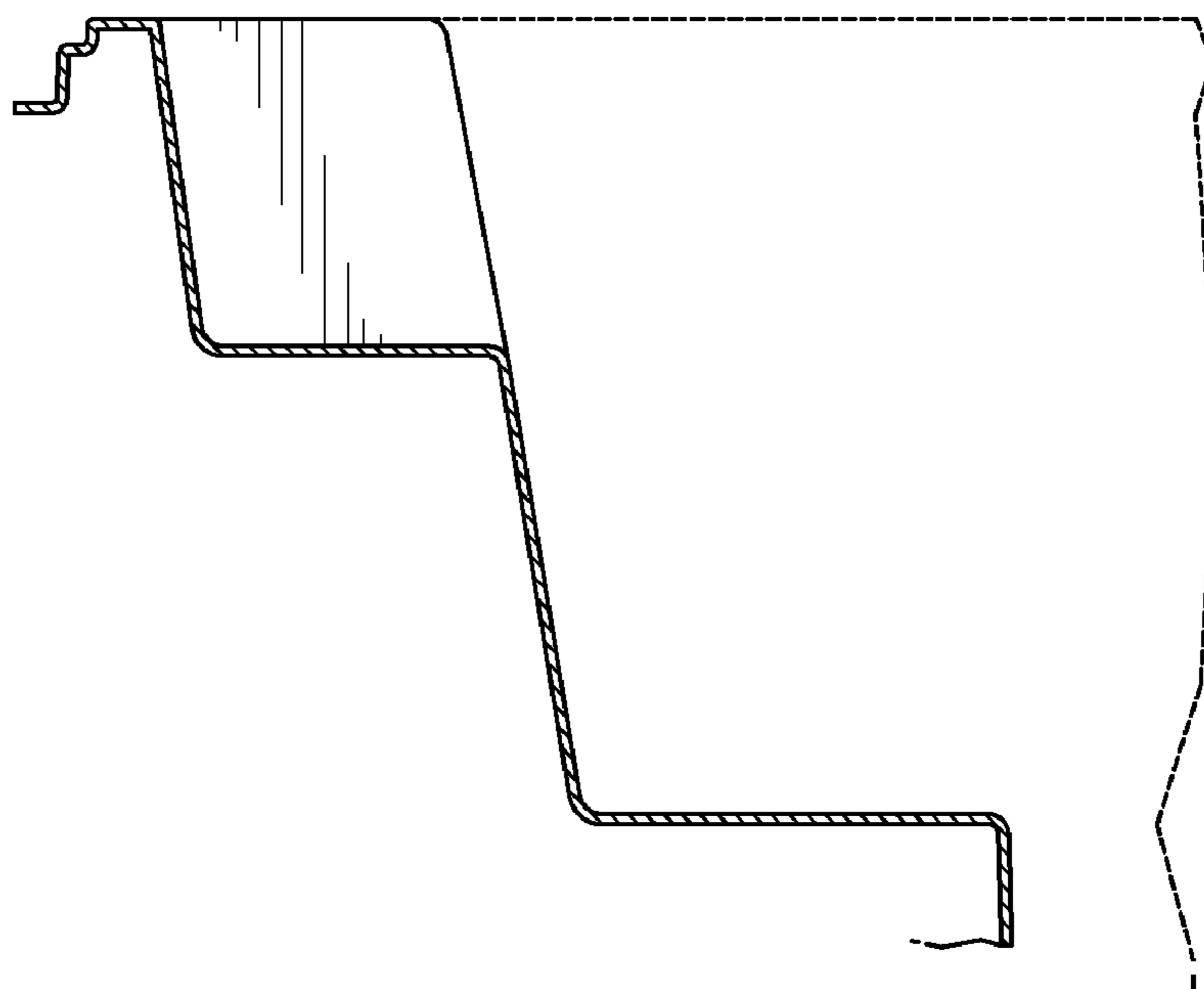


FIG. 5