



US00D551347S

(12) **United States Design Patent**
Baba

(10) **Patent No.:** **US D551,347 S**

(45) **Date of Patent:** **** Sep. 18, 2007**

(54) **OPERATION DEVICE FOR AN X-RAY APPARATUS FOR MEDICAL TREATMENT**

D505,726 S * 5/2005 Ryan D24/200

FOREIGN PATENT DOCUMENTS

(75) Inventor: **Noriaki Baba**, Tokyo (JP)
(73) Assignees: **Kabushiki Kaisha Toshiba (JP);**
Toshiba Medical Systems Corporation
(JP)

JP	1124444	10/2001
JP	1200925	4/2004
JP	1200926	4/2004
JP	1208254	6/2004
JP	1237555	4/2005
JP	1240387	5/2005

(**) Term: **14 Years**

* cited by examiner

(21) Appl. No.: **29/255,223**

Primary Examiner—Lou Zarfaz

(22) Filed: **Mar. 7, 2006**

Assistant Examiner—Anhdao Doan

(30) **Foreign Application Priority Data**

(74) *Attorney, Agent, or Firm*—Banner & Witcoff, Ltd.

Nov. 15, 2005 (JP) 2005-033626

(57) **CLAIM**

(51) **LOC (8) Cl.** **24-01**

The ornamental design for an operation device for an X-ray apparatus for medical treatment, as shown and described.

(52) **U.S. Cl.** **D24/158**

(58) **Field of Classification Search** D24/158-161,
D24/183; 378/178-190, 193, 195-198, 208,
378/209, 10, 11, 37-39; D14/392-394, 396,
D14/397, 400, 412; D21/325, 331, 332
See application file for complete search history.

DESCRIPTION

(56) **References Cited**

U.S. PATENT DOCUMENTS

D273,981 S *	5/1984	Kroll et al.	D24/158
D334,062 S *	3/1993	Davis et al.	D24/160
D391,638 S *	3/1998	Coons et al.	D24/160
D417,503 S *	12/1999	Spoljaric	D24/158
D448,849 S *	10/2001	Laupper	D24/158
6,351,678 B1 *	2/2002	Borders	700/83
D469,182 S *	1/2003	Choi et al.	D24/158
6,609,826 B1 *	8/2003	Fujii et al.	378/198
D503,804 S *	4/2005	Phleps et al.	D24/158

FIG. 1 is a front, top and right side perspective view of an operation device for an X-ray apparatus for medical treatment, showing my new design;

FIG. 2 is a front elevational view thereof;

FIG. 3 is a rear elevational view thereof;

FIG. 4 is a top plan view thereof;

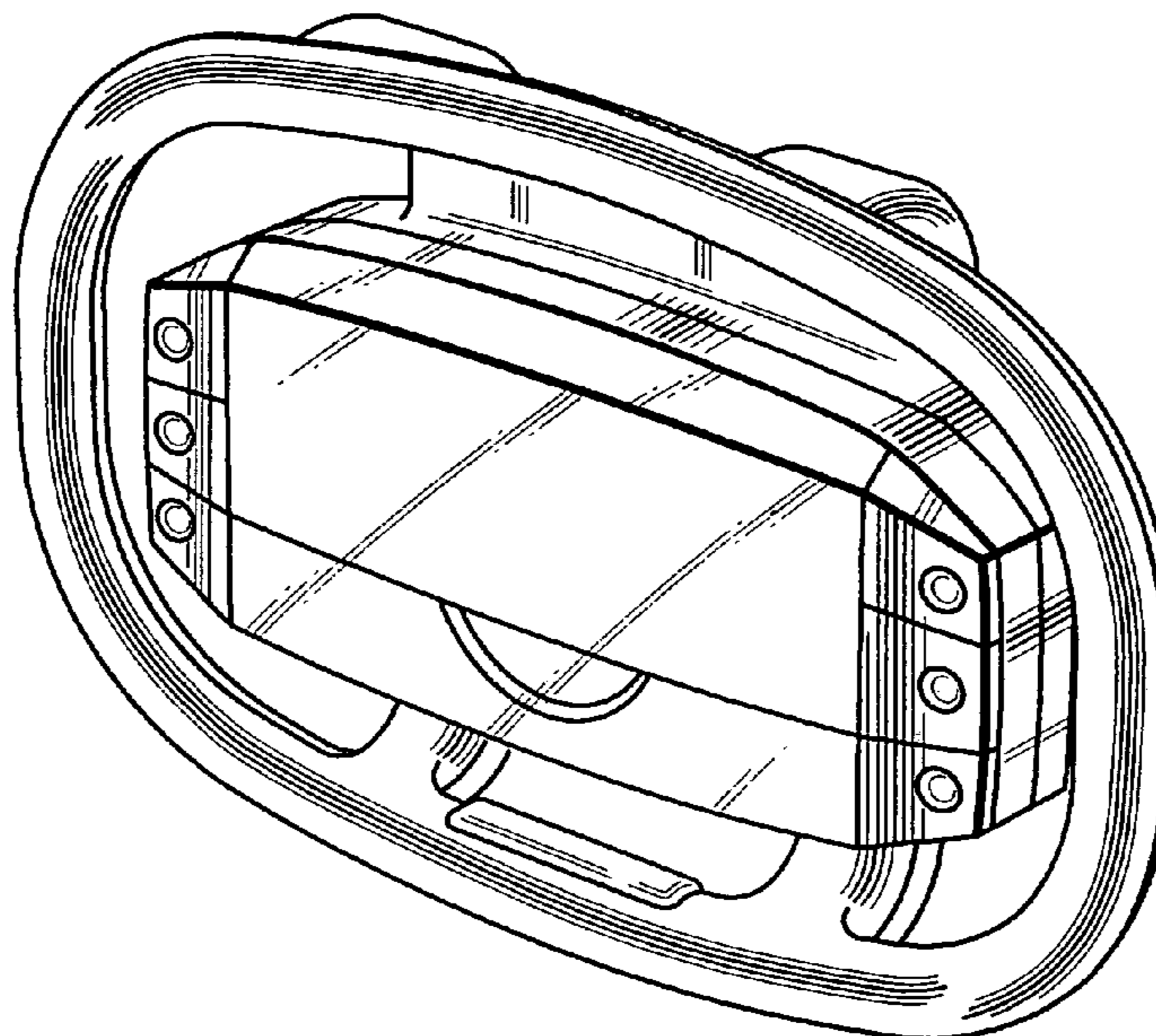
FIG. 5 is a bottom plan view thereof;

FIG. 6 is a right side elevational view thereof;

FIG. 7 is a left side elevational view thereof; and,

FIG. 8 is a front elevational view thereof with a measure in a withdrawn state.

1 Claim, 4 Drawing Sheets



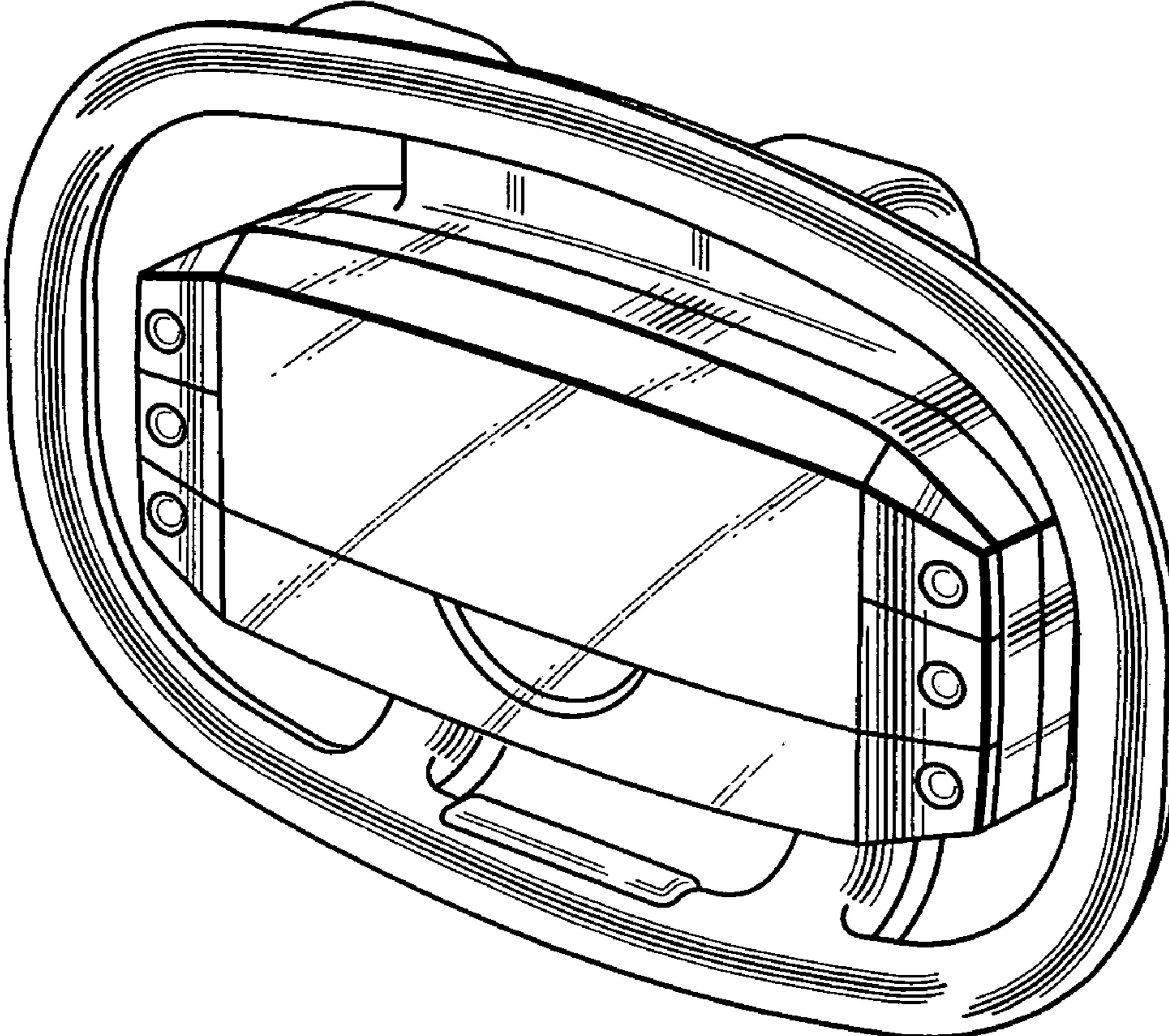


FIG.1

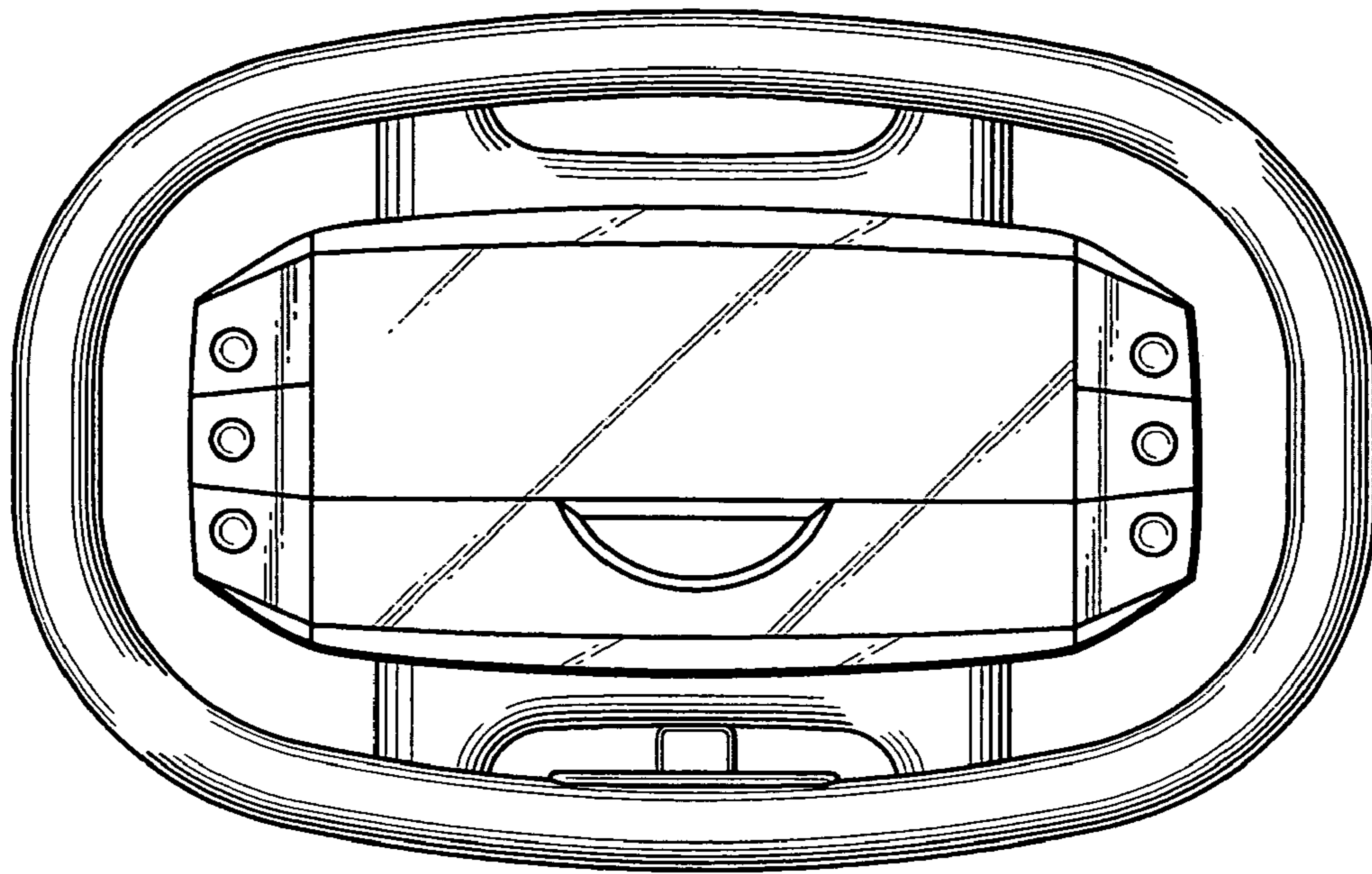


FIG.2

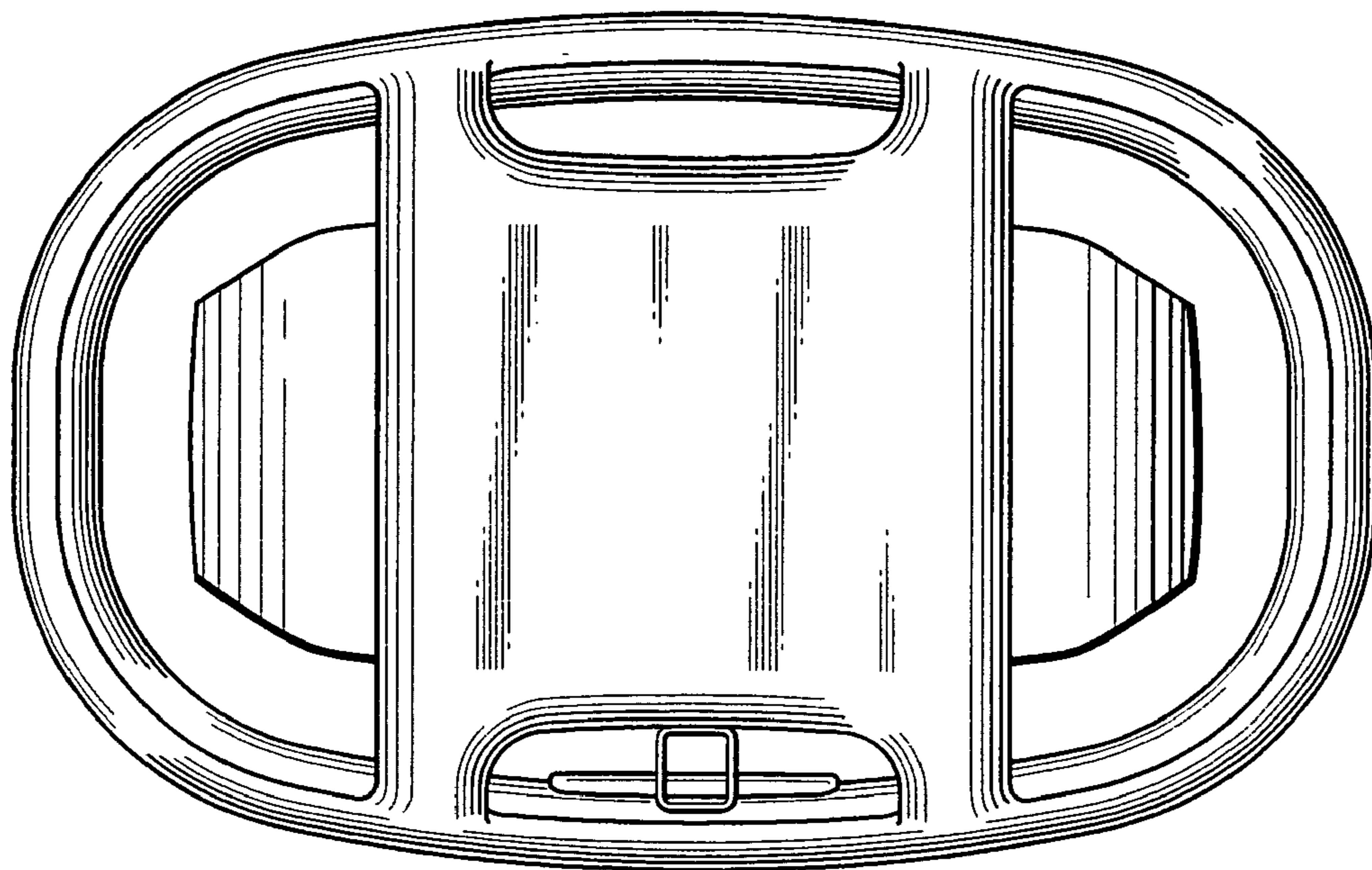


FIG.3

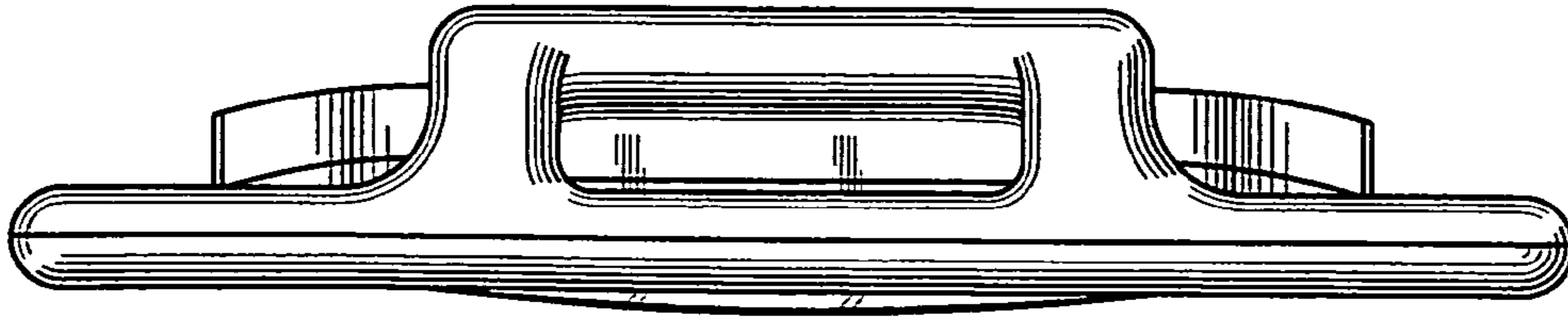


FIG. 4

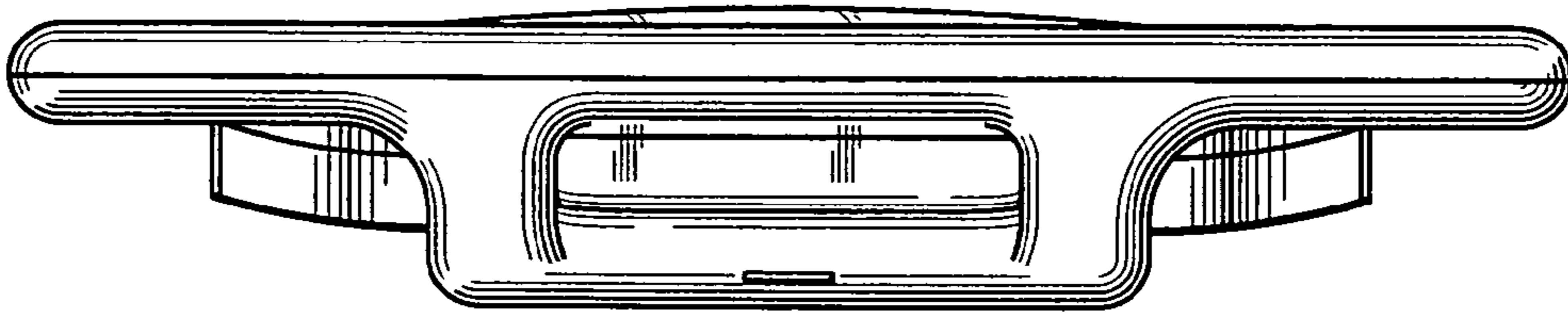


FIG. 5

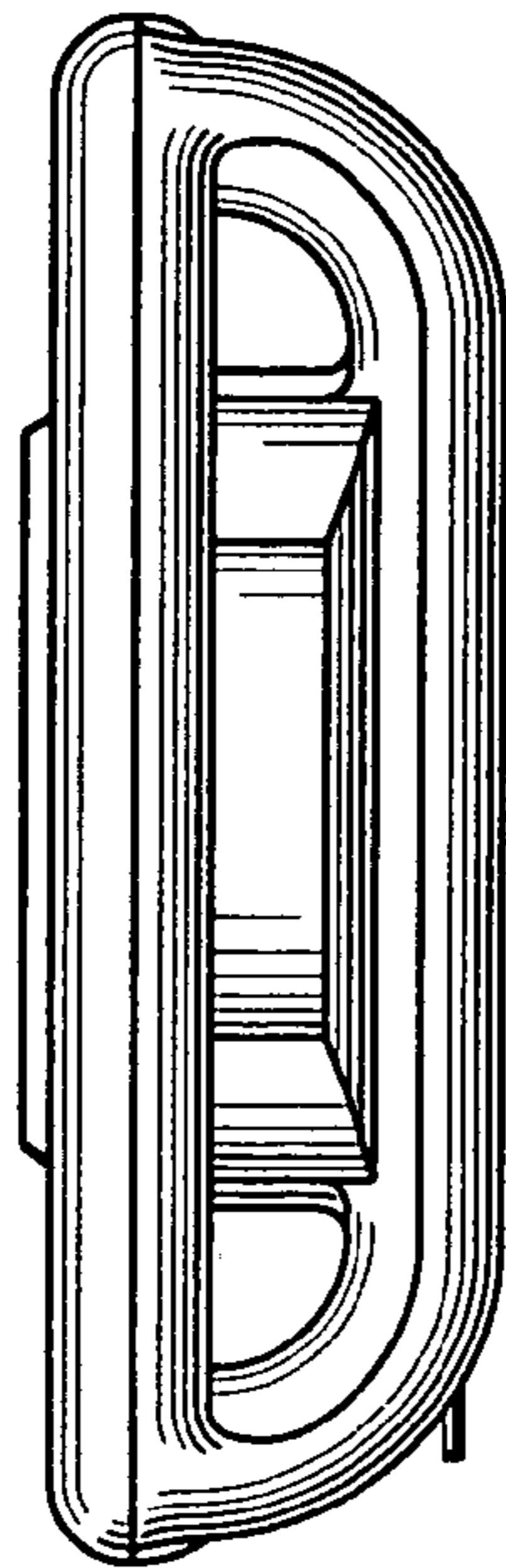


FIG. 6

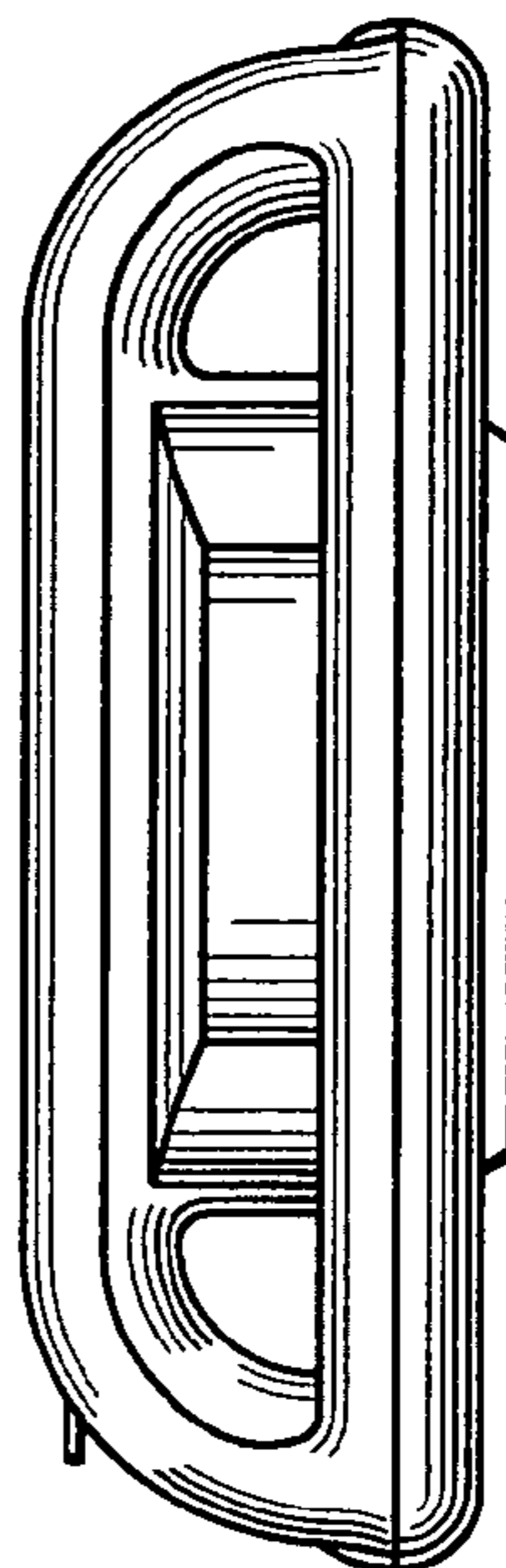


FIG. 7

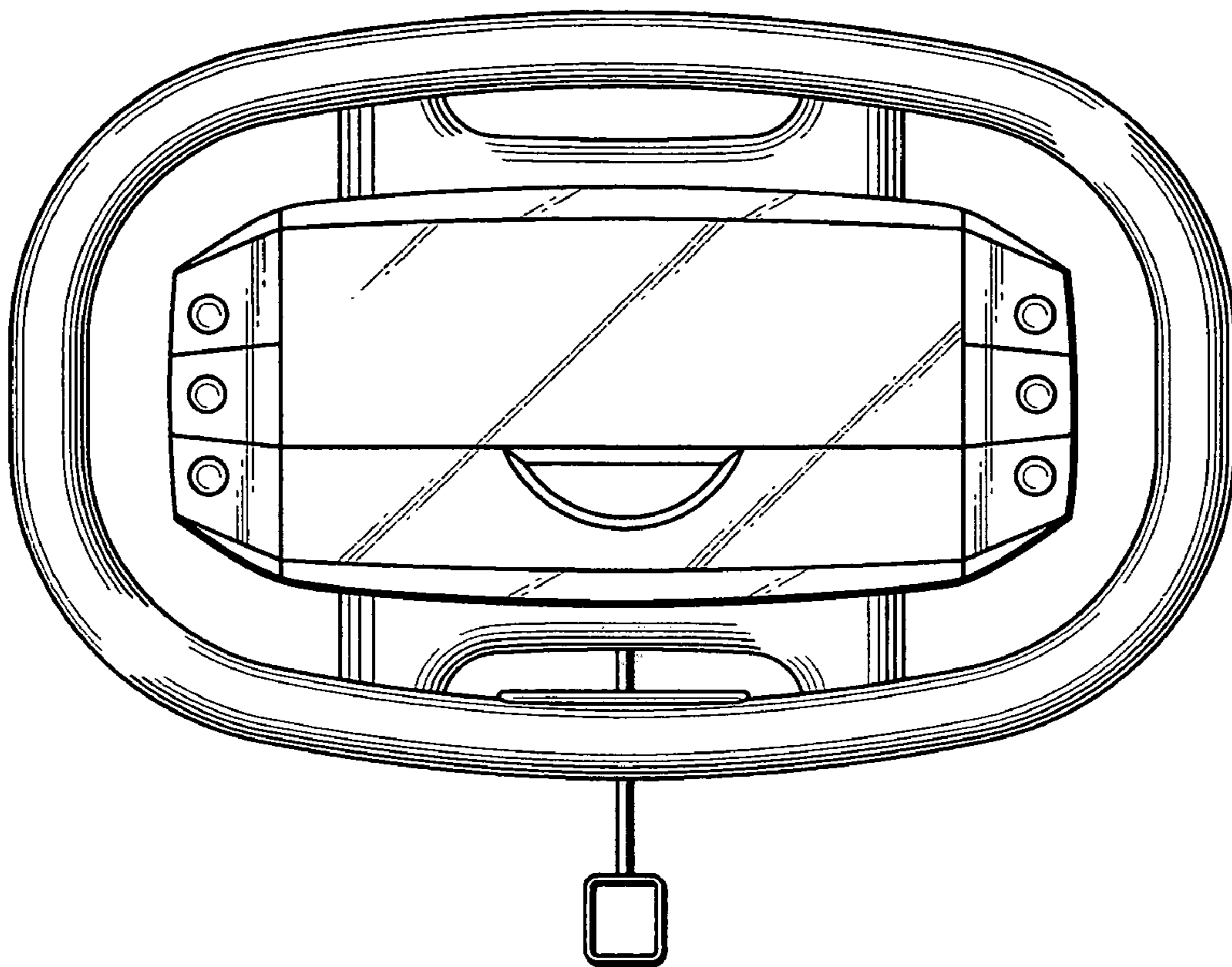


FIG.8