



US00D551341S

(12) **United States Design Patent**
Galbraith

(10) **Patent No.:** **US D551,341 S**

(45) **Date of Patent:** **** Sep. 18, 2007**

(54) **INJECTION DEVICE**

DESCRIPTION

(75) Inventor: **Sofia Galbraith**, Solothurn (CH)

FIG. 1 is a perspective of one embodiment of the injection device according to the present invention;

(73) Assignee: **Tecpharma Licensing AG**, Burgdorf (CH)

FIG. 2 is an elevation of one side of the embodiment depicted in FIG. 1.

(**) Term: **14 Years**

FIG. 3 is an elevation of the other side of the embodiment depicted in FIG. 1.

(21) Appl. No.: **29/254,927**

FIG. 4 is an elevation of one end of the embodiment depicted in FIG. 1.

(22) Filed: **Mar. 1, 2006**

FIG. 5 is an elevation of the other end of the embodiment depicted in FIG. 1.

(30) **Foreign Application Priority Data**

Sep. 2, 2005 (EM) 000395769-0001

FIG. 6 is a plan view of the top of the embodiment depicted in FIG. 1 (the term "top" being used only for ease of description and not in a limiting sense).

(51) **LOC (8) Cl.** **24-02**

(52) **U.S. Cl.** **D24/114**

(58) **Field of Classification Search** D24/114, D24/112, 133, 113, 186, 104, 130; 606/181, 606/185; D19/51, 41, 43, 50, 57, 56, 55, D19/48; 604/232, 187, 207

FIG. 7 is a plan view of the bottom of the embodiment depicted in FIG. 1 (the term "bottom" being used only for ease of description and not in a limiting sense).

See application file for complete search history.

FIG. 8 is a perspective of another embodiment of the injection device according to the present invention;

(56) **References Cited**

U.S. PATENT DOCUMENTS

- D227,611 S * 7/1973 Carre D19/48
- D282,378 S * 1/1986 Ohyabu et al. D19/43
- D319,844 S * 9/1991 Grotsch et al. D19/43
- D330,389 S * 10/1992 Katami et al. D19/57
- D358,844 S * 5/1995 Ito D19/57

FIG. 9 is an elevation of one side of the embodiment depicted in FIG. 8.

FIG. 10 is an elevation of the other side of the embodiment depicted in FIG. 8.

FIG. 11 is an elevation of one end of the embodiment depicted in FIG. 8.

FIG. 12 is an elevation of the other end of the embodiment depicted in FIG. 8.

(Continued)

Primary Examiner—Louis Zarfaz

Assistant Examiner—David G. Muller

(74) *Attorney, Agent, or Firm*—David E. Bruhn

FIG. 13 is a plan view of the top of the embodiment depicted in FIG. 8 (the term "top" being used only for ease of description and not in a limiting sense); and,

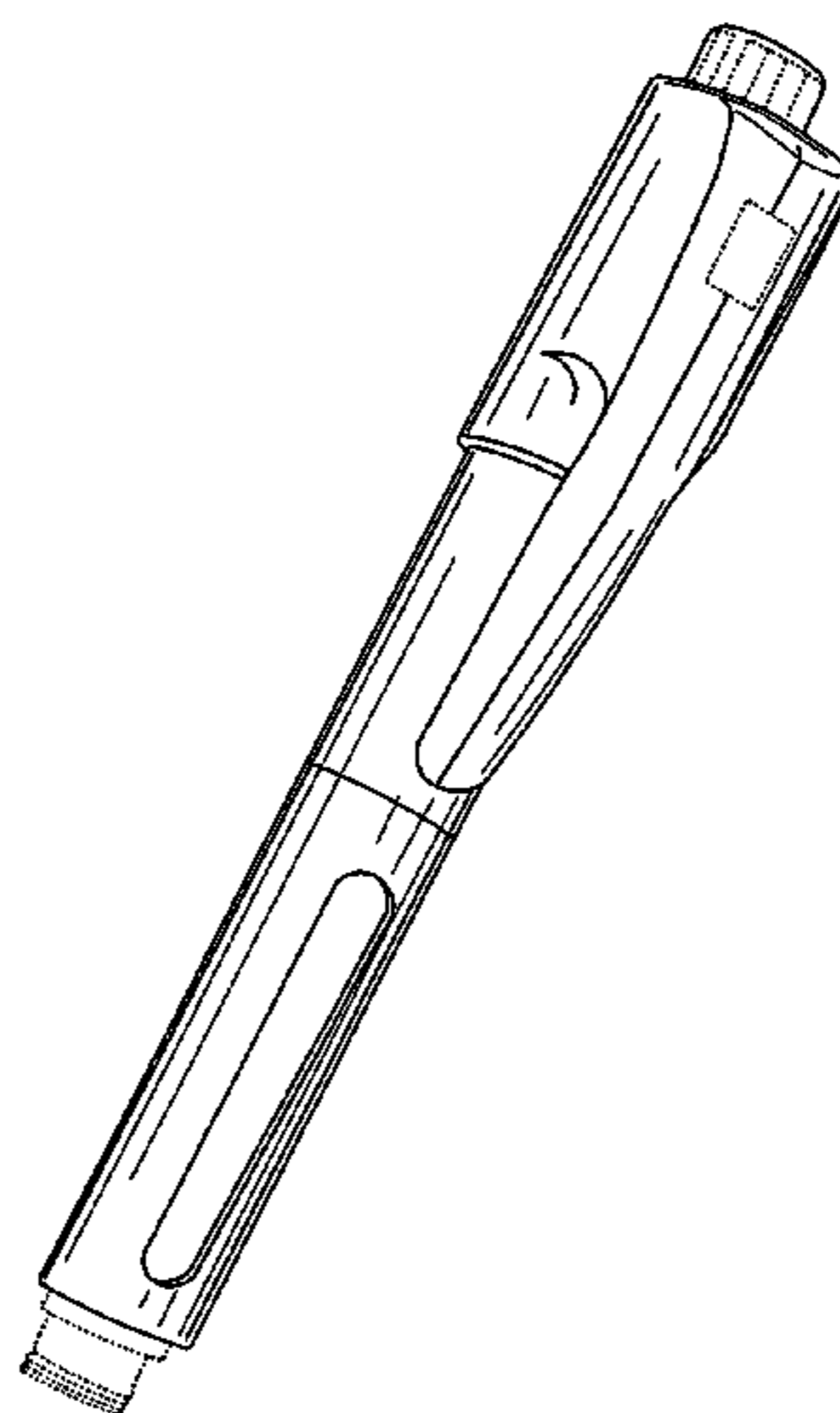
FIG. 14 is a plan view of the bottom of the embodiment depicted in FIG. 8 (the term "bottom" being used only for ease of description and not in a limiting sense).

(57) **CLAIM**

The broken line portions of the drawings are for illustrative purposes only and form no part of the claimed design.

The ornamental design for an injection device, as shown and described.

1 Claim, 6 Drawing Sheets



US D551,341 S

Page 2

U.S. PATENT DOCUMENTS

D369,183 S *	4/1996	Yoshida	D19/57	D492,722 S *	7/2004	Oka	D19/56
5,709,662 A *	1/1998	Olive et al.	604/187	D493,832 S *	8/2004	Hung	D19/57
6,277,099 B1 *	8/2001	Stowe et al.	604/207	D498,496 S *	11/2004	Volk	D19/51
D486,858 S *	2/2004	Schung	D19/51	D512,459 S *	12/2005	Anand	D19/51
D487,776 S *	3/2004	Keda	D19/57	D520,636 S *	5/2006	Hawley et al.	D24/114

* cited by examiner

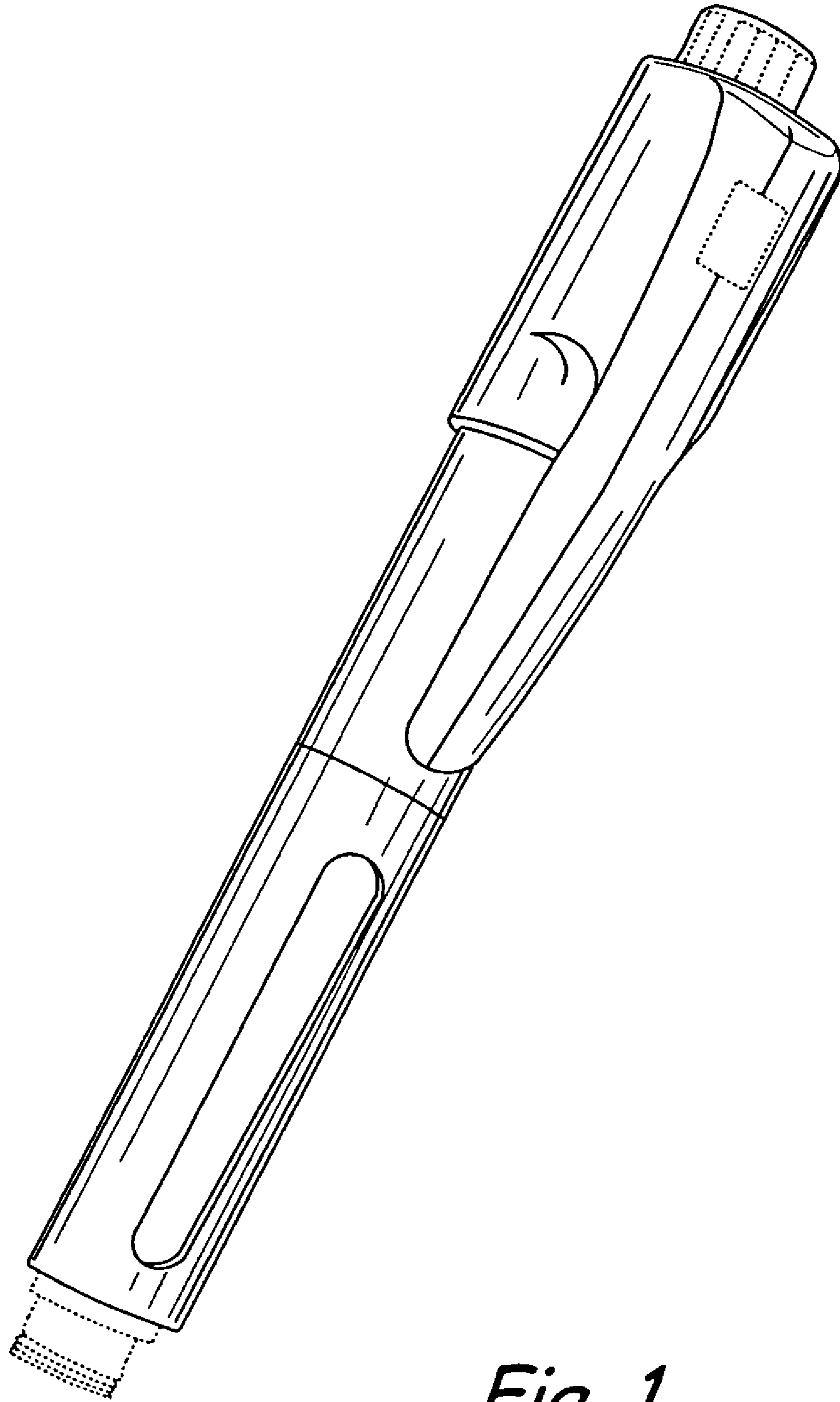


Fig. 1

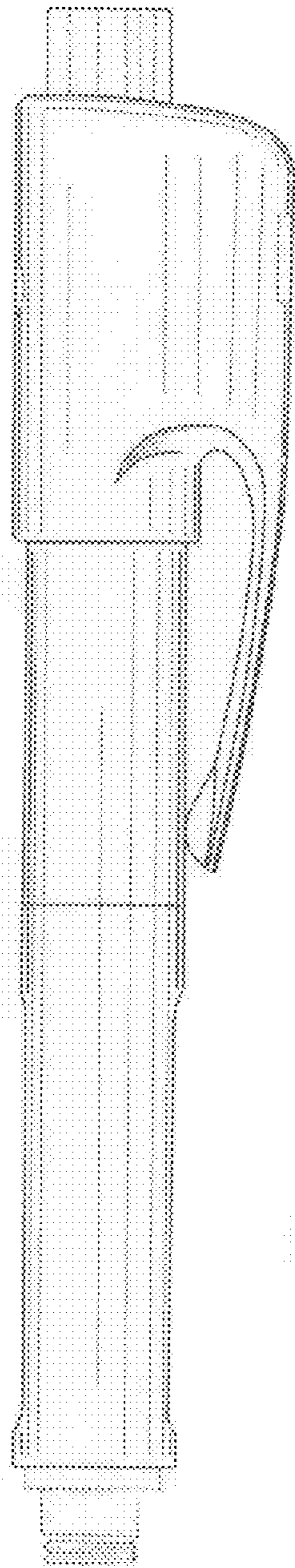


Fig. 2

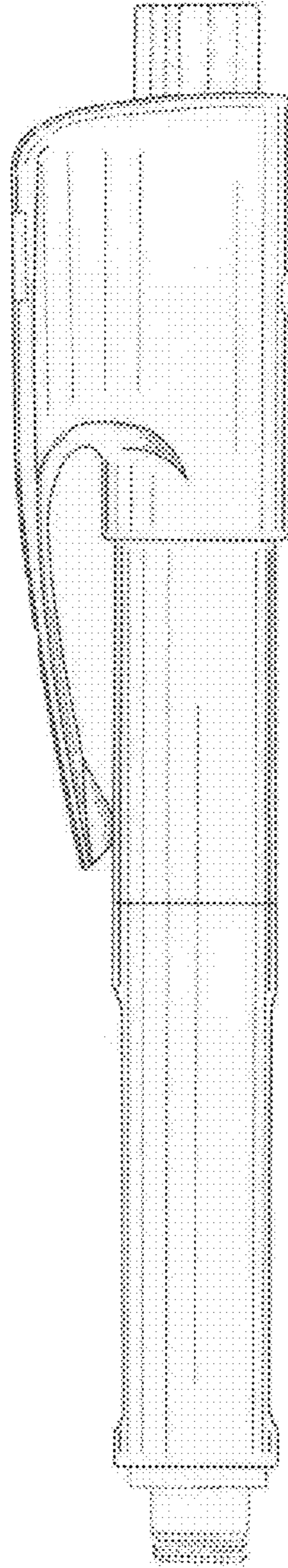


Fig. 3

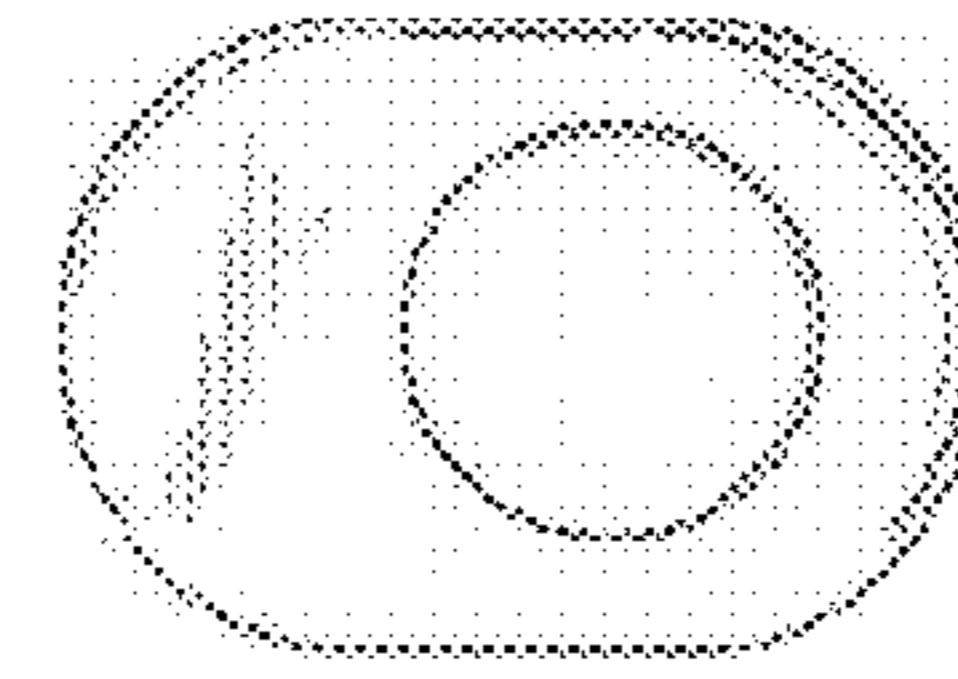


Fig. 5

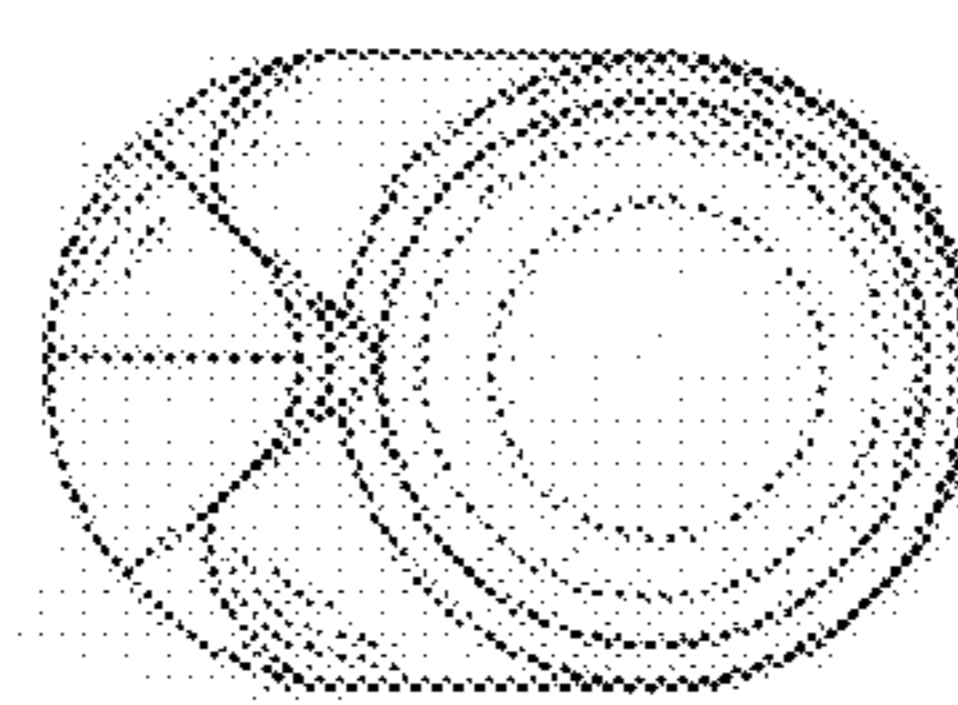


Fig. 4

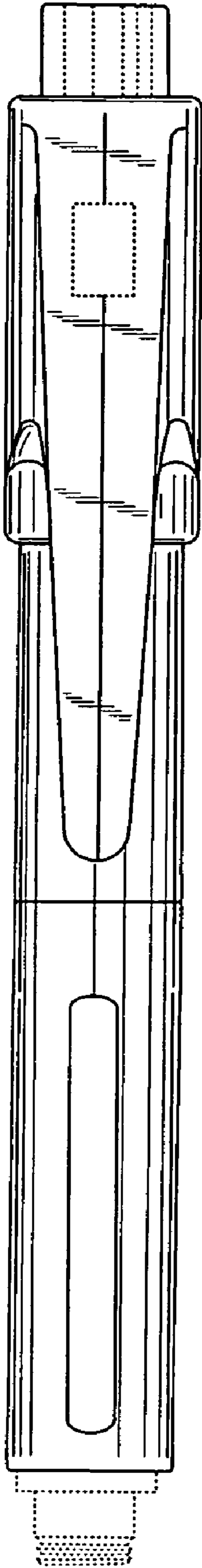


Fig. 6

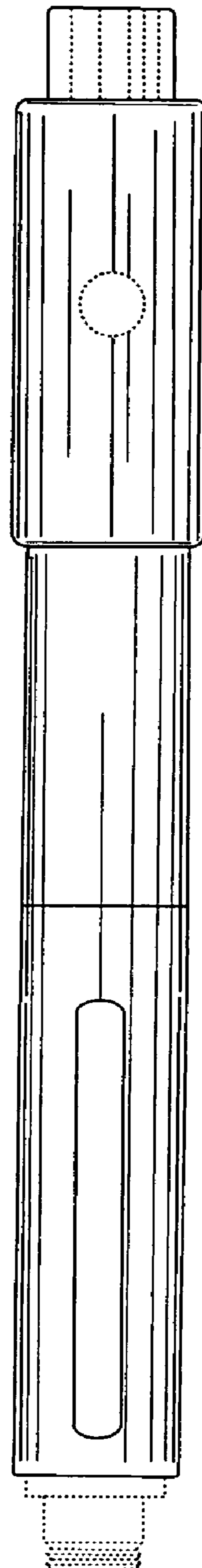


Fig. 7

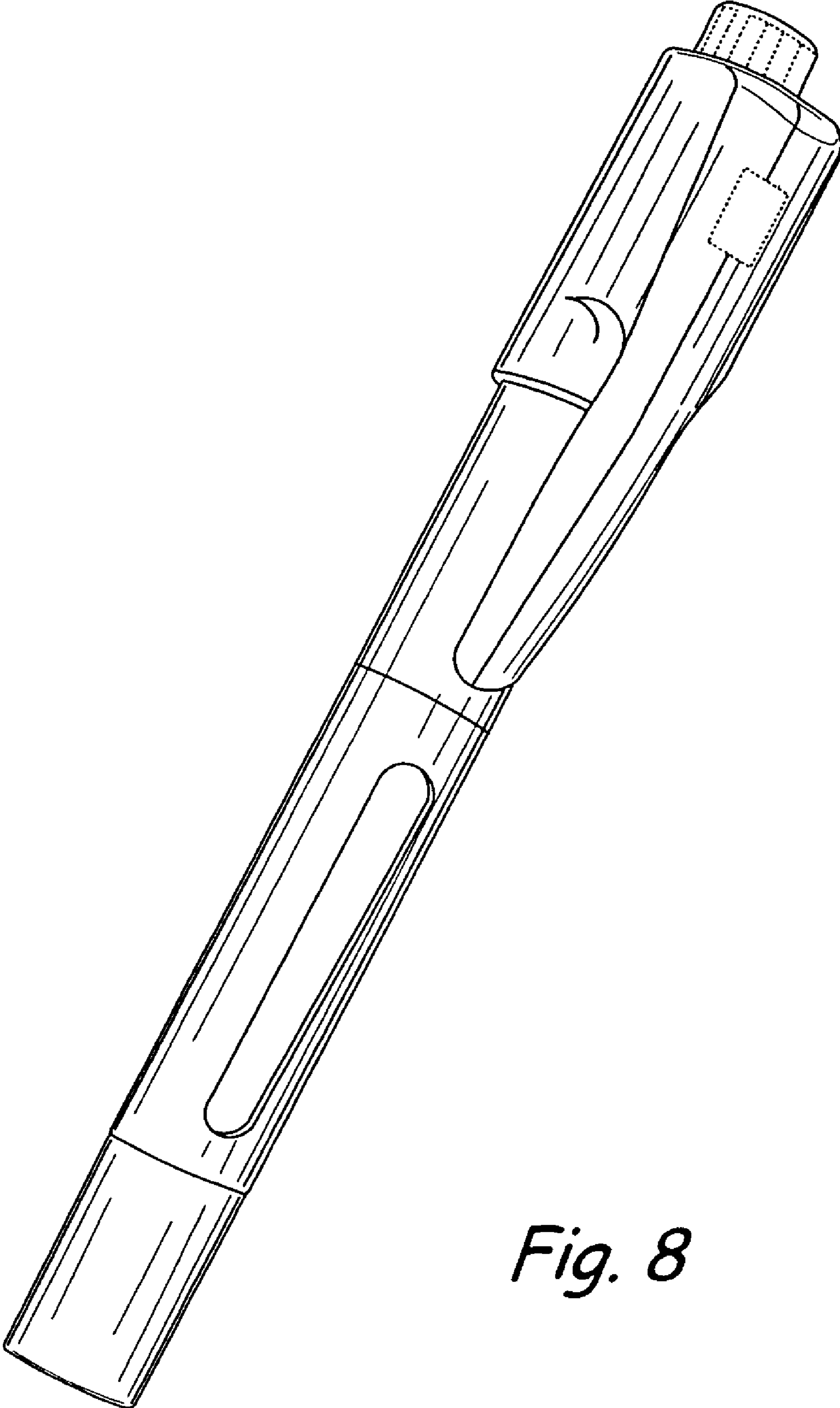


Fig. 8

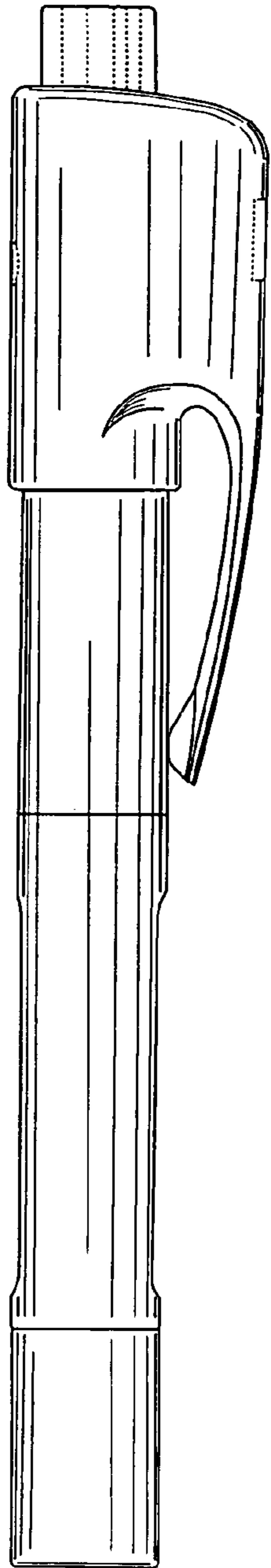


Fig. 9

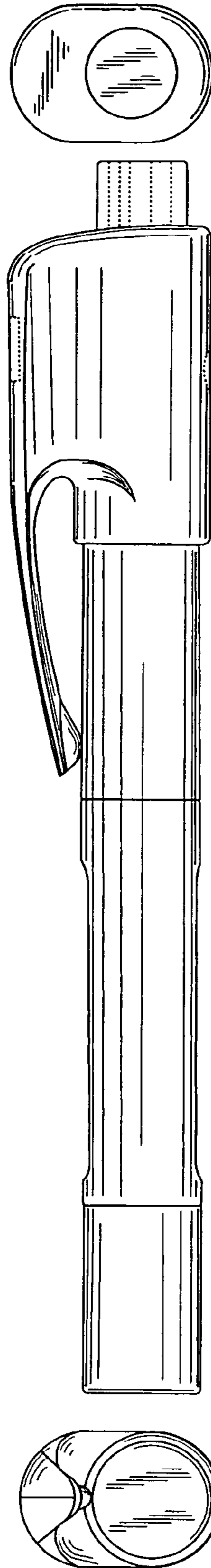


Fig. 11

Fig. 10

Fig. 12

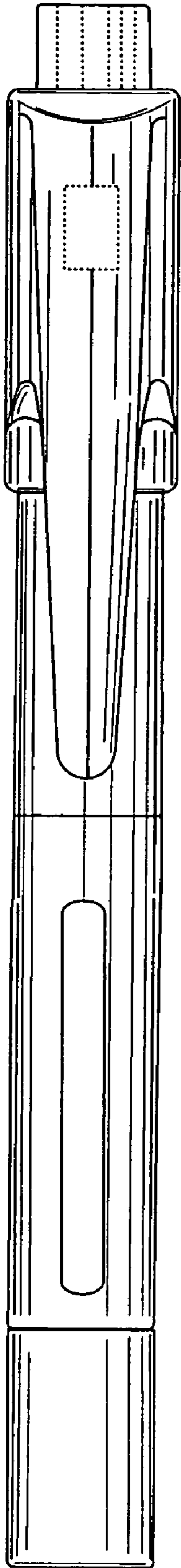


Fig. 13

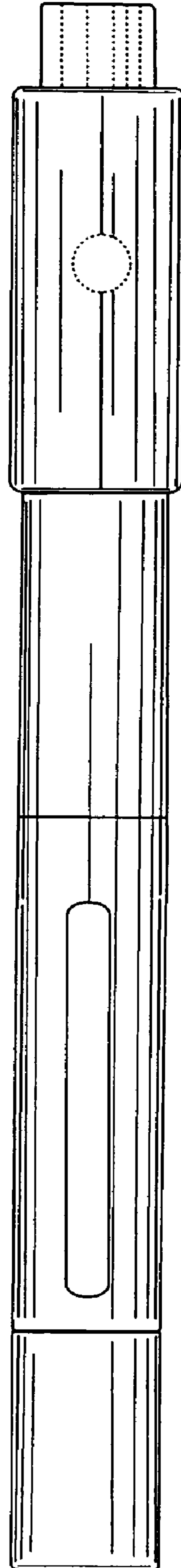


Fig. 14