



US00D551339S

(12) **United States Design Patent**
Shurtleff

(10) **Patent No.:** **US D551,339 S**

(45) **Date of Patent:** **** Sep. 18, 2007**

(54) **CEILING FAN MOTOR HOUSING**

D510,431 S *	10/2005	Pickett	D23/411
D513,532 S *	1/2006	Flores	D23/411
D520,632 S *	5/2006	Tai	D23/411
D530,812 S *	10/2006	Guthrie	D23/411

(75) Inventor: **Mark L. Shurtleff**, Long Beach, CA
(US)

(73) Assignee: **Air Cool Industrial Co., Ltd.**,
Taichung County (TW)

(**) Term: **14 Years**

(21) Appl. No.: **29/265,114**

(22) Filed: **Aug. 25, 2006**

(51) **LOC (8) Cl.** **23-04**

(52) **U.S. Cl.** **D23/411**

(58) **Field of Classification Search** D23/411,
D23/377, 379, 385; 416/4; 392/364
See application file for complete search history.

(56) **References Cited**

U.S. PATENT DOCUMENTS

D452,309 S *	12/2001	Dolan	D23/411
D477,396 S *	7/2003	Campbell	D23/411
D484,233 S *	12/2003	Bucher et al.	D23/377
D499,479 S *	12/2004	Thomas, Jr.	D23/411
D508,737 S *	8/2005	Pickett	D23/411

* cited by examiner

Primary Examiner—Lisa Lichtenstein

(74) *Attorney, Agent, or Firm*—Troxell Law Office, PLLC

(57) **CLAIM**

I claim the ornamental design for a ceiling fan motor housing, as shown and described.

DESCRIPTION

FIG. 1 is a front perspective view of a ceiling fan motor housing showing my new design;

FIG. 2 is a front elevational view thereof;

FIG. 3 is a rear elevational view thereof.

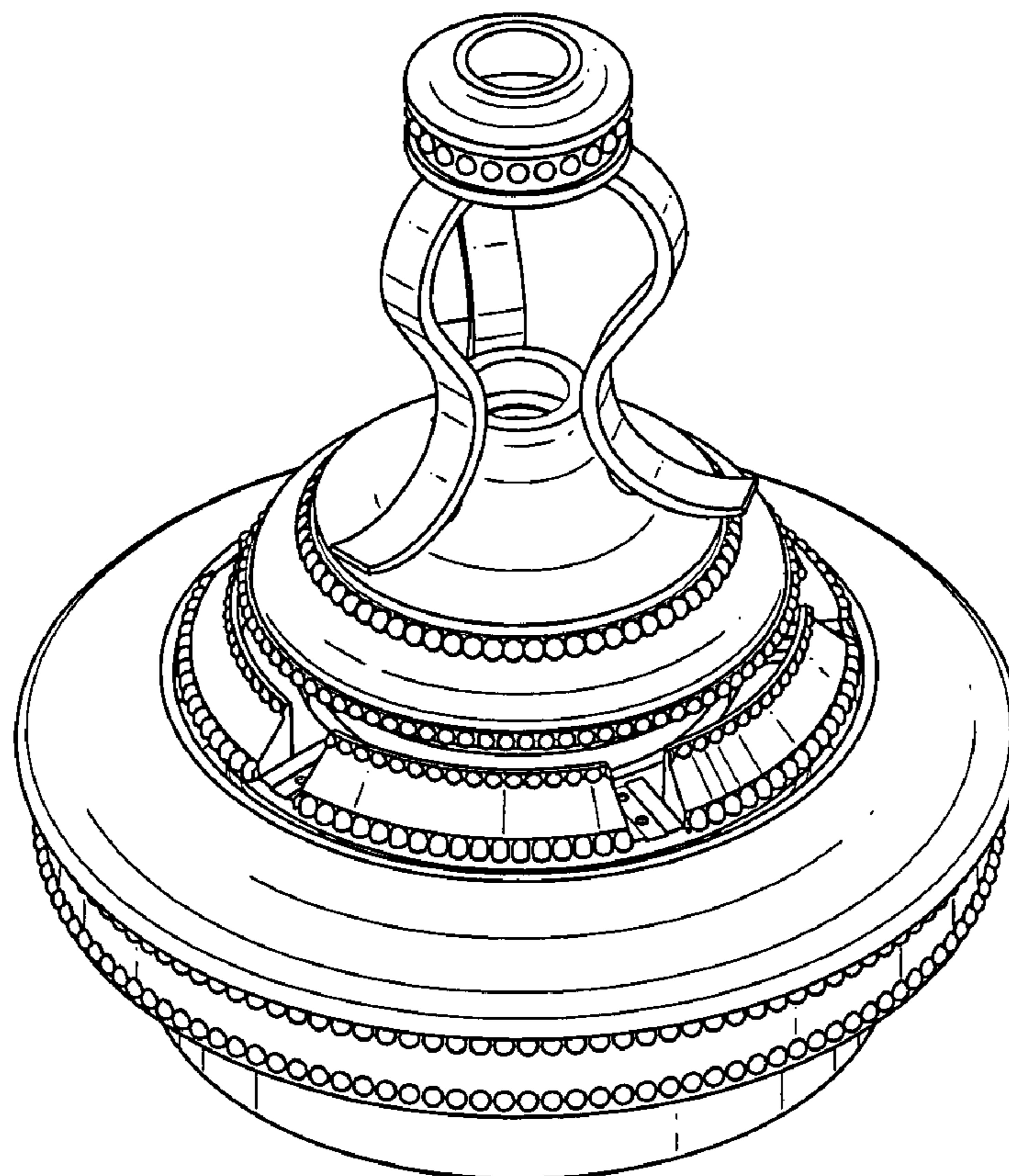
FIG. 4 is a left side elevational view thereof;

FIG. 5 is a right side elevational view thereof;

FIG. 6 is a top plan view thereof; and,

FIG. 7 is a bottom plan view thereof.

1 Claim, 5 Drawing Sheets



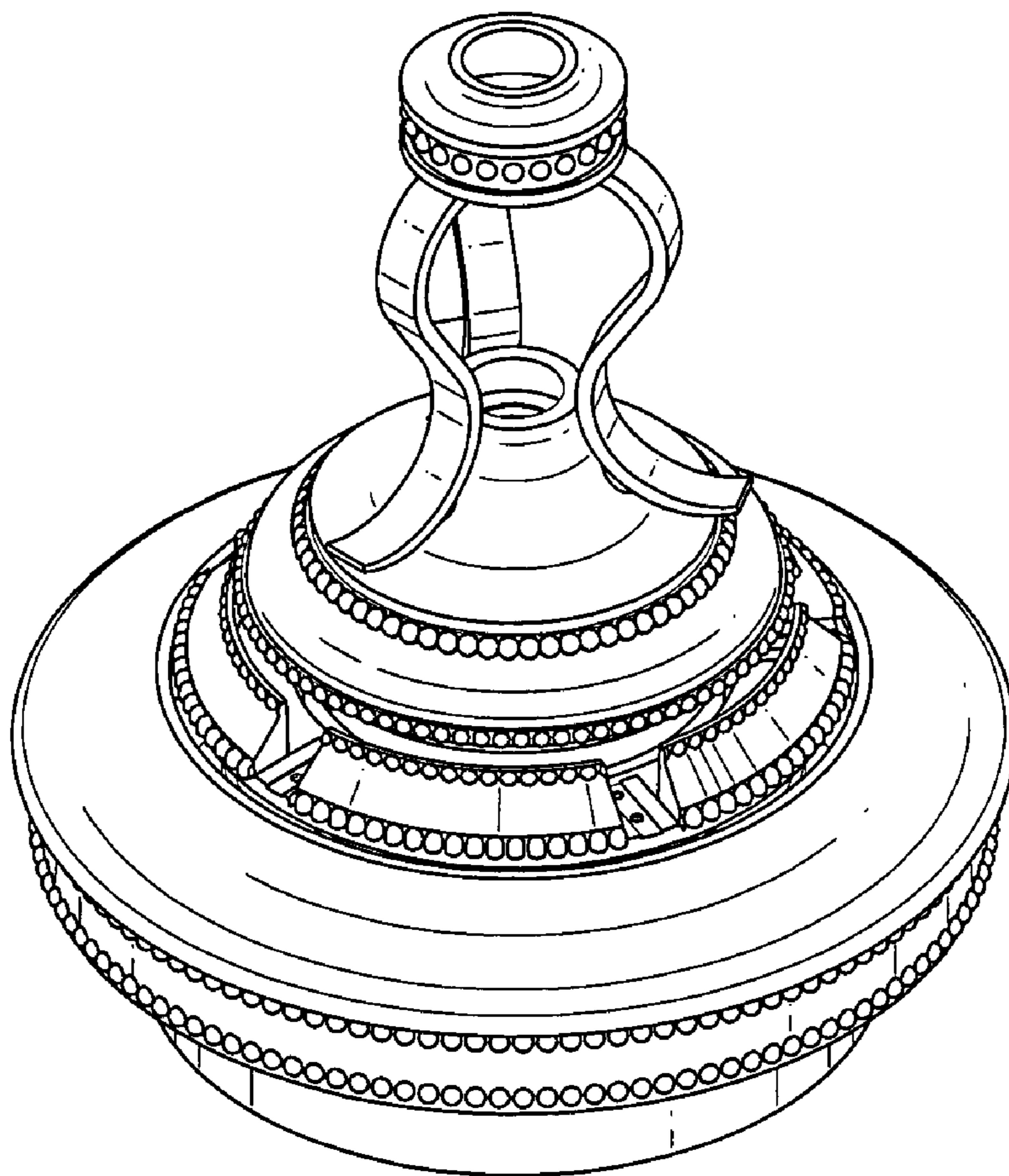


FIG. 1

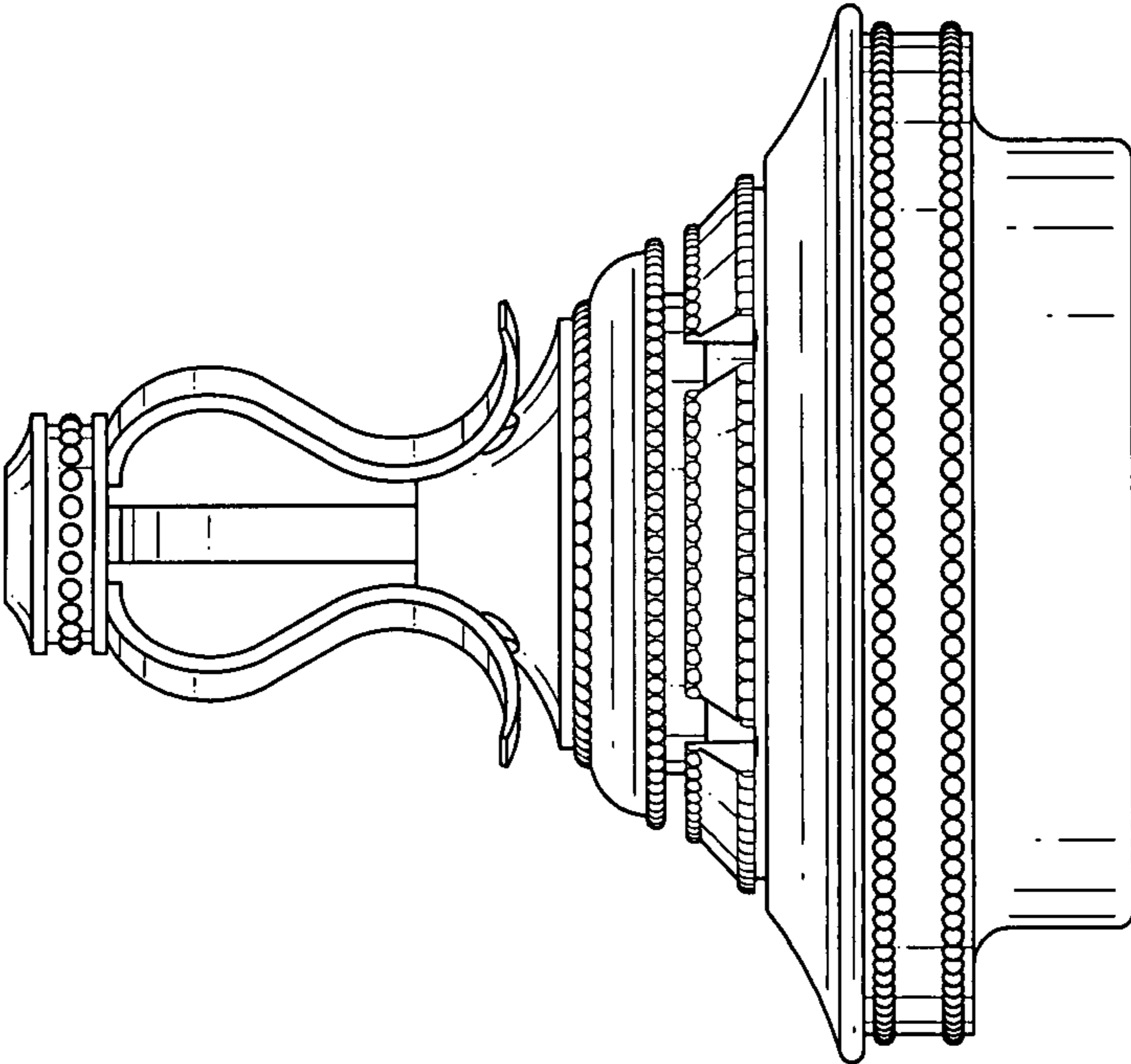


FIG. 2

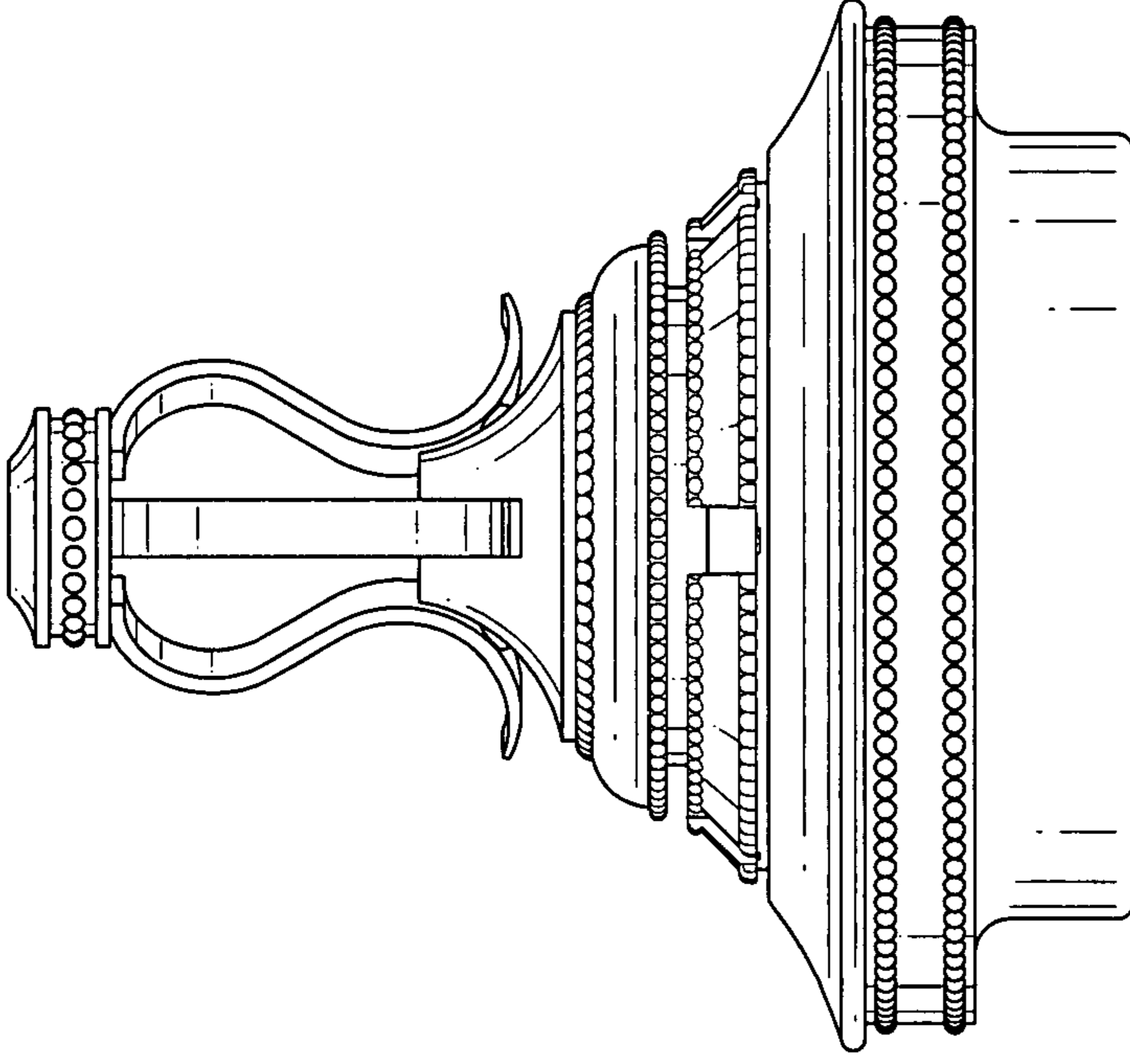


FIG. 3

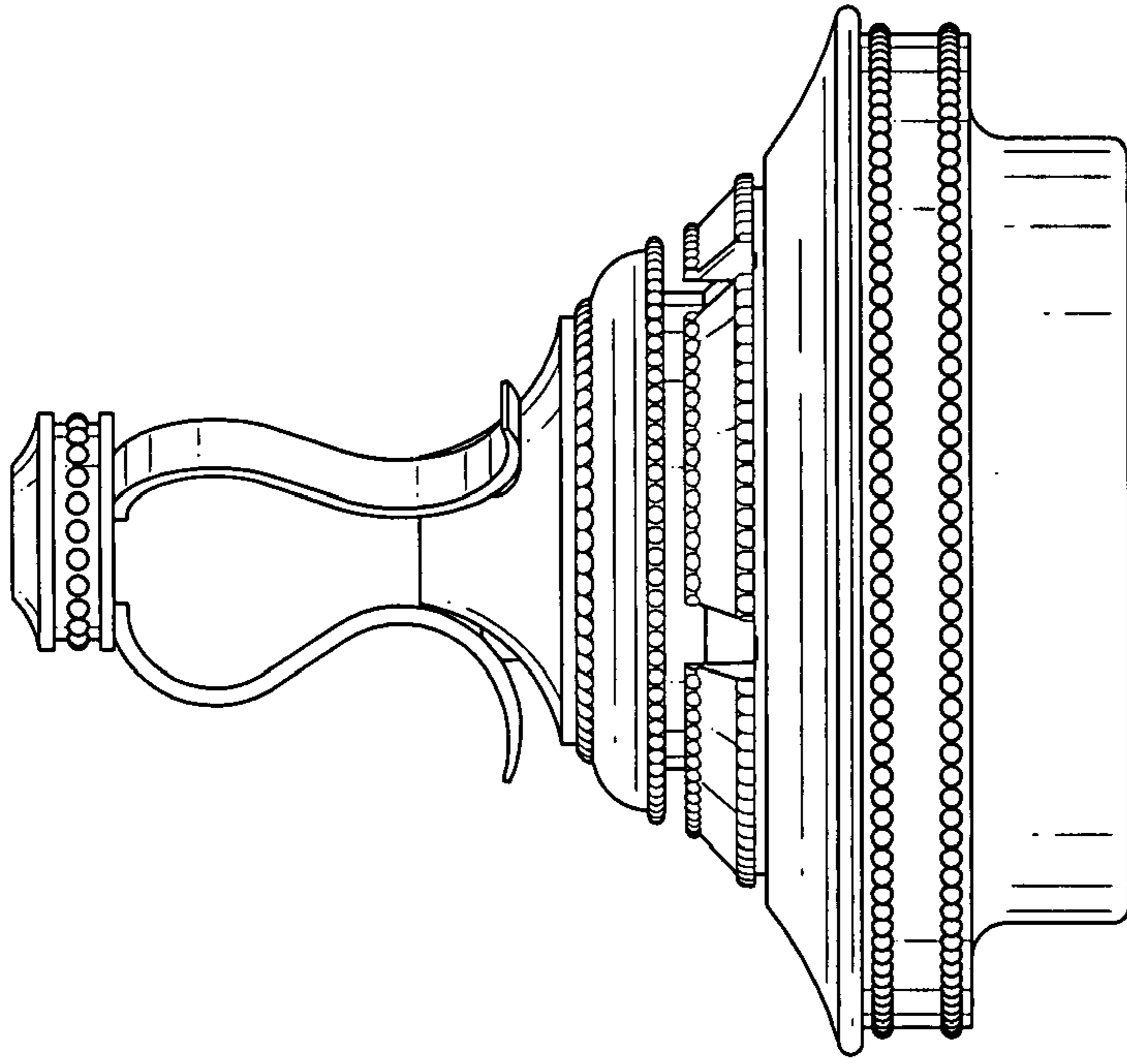


FIG. 5

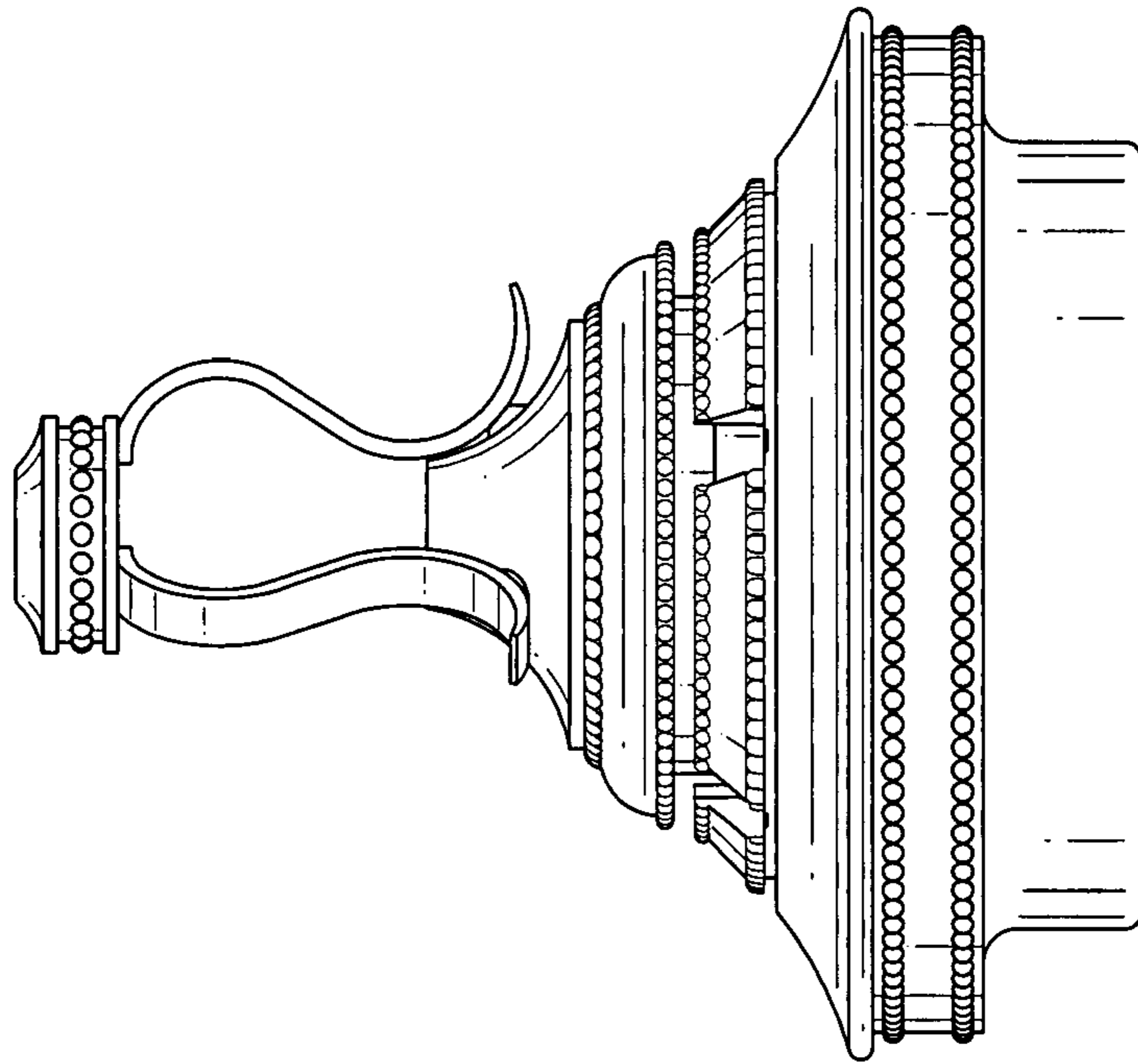


FIG. 4

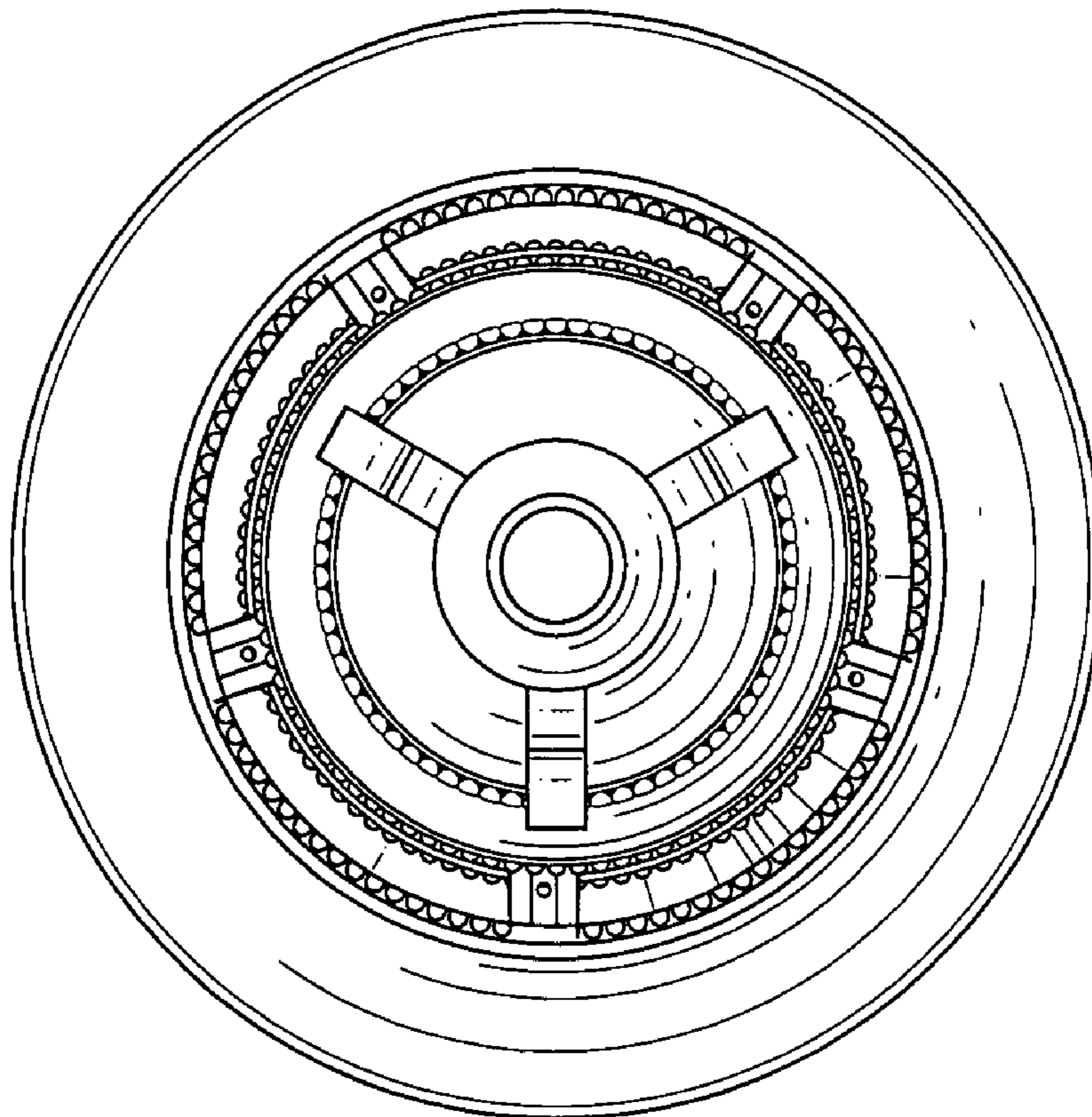


FIG. 6

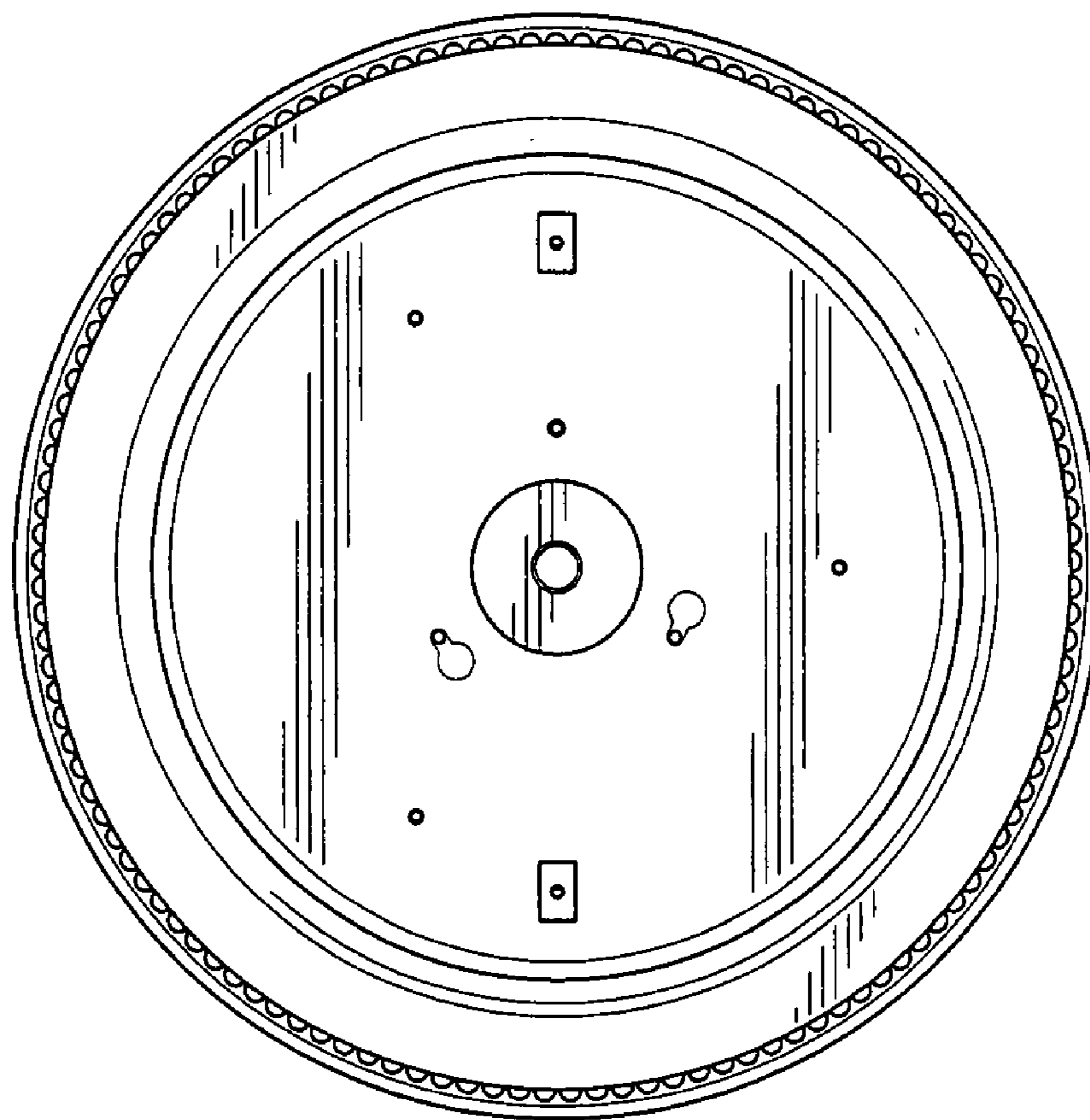


FIG. 7