



US00D551336S

(12) **United States Design Patent**  
**Haggkvist**

(10) **Patent No.:** **US D551,336 S**

(45) **Date of Patent:** **\*\* Sep. 18, 2007**

(54) **DUCT AND SEAL ASSEMBLY**

(75) Inventor: **Alf Haggkvist**, Varnamo (SE)

(73) Assignee: **Eastern Sheet Metal, Inc.**, Cincinnati, OH (US)

(\*\*) Term: **14 Years**

(21) Appl. No.: **29/259,408**

(22) Filed: **May 8, 2006**

(51) **LOC (8) Cl.** ..... **23-04**

(52) **U.S. Cl.** ..... **D23/386**

(58) **Field of Classification Search** ..... D23/386,  
D23/393, 269, 352, 206, 259, 266, 262; 138/149,  
138/164, 143, 177; 285/123.12, 109, 110,  
285/80, 10, 192, 114, 370; 454/243, 270,  
454/233; 4/541.6; 126/82, 312; 277/606,  
277/602; 428/36.9; 2/427; 29/450

See application file for complete search history.

(56) **References Cited**

**U.S. PATENT DOCUMENTS**

3,955,834	A *	5/1976	Ahlrot	.....	285/110
4,007,941	A *	2/1977	Stancati	.....	277/606
D256,046	S *	7/1980	Perrin	.....	D23/269
D256,499	S *	8/1980	Foreman	.....	D23/269
4,291,905	A *	9/1981	Schrock	.....	285/192
D273,702	S *	5/1984	Widerby et al.	.....	D23/393
4,645,244	A *	2/1987	Curtis	.....	285/114
4,653,124	A *	3/1987	McNeal et al.	.....	2/427
D322,120	S *	12/1991	du Gay	.....	D23/269
5,599,600	A *	2/1997	Rau	.....	428/36.9
D379,493	S *	5/1997	Woods	.....	D23/269
D427,667	S *	7/2000	Stout, Jr.	.....	D23/262
D427,668	S	7/2000	Stout, Jr.		
D427,673	S	7/2000	Stout, Jr.		
D430,482	S	9/2000	Stout, Jr.		
D435,090	S	12/2000	Stout, Jr.		
D437,034	S	1/2001	Stout, Jr.		
6,279,967	B1 *	8/2001	Proctor et al.	.....	285/340
D475,130	S	5/2003	Stout, Jr.		
D475,447	S	6/2003	Stout, Jr.		

D475,448	S	6/2003	Stout, Jr.
D475,449	S	6/2003	Stout, Jr.
D475,778	S	6/2003	Stout, Jr.
D475,779	S	6/2003	Stout, Jr.
D475,780	S	6/2003	Stout, Jr.
D476,074	S	6/2003	Stout, Jr.
D478,978	S	8/2003	Stout, Jr.
D480,132	S	9/2003	Stout, Jr.
D488,217	S	4/2004	Stout, Jr.
D488,858	S	4/2004	Stout, Jr.
D488,859	S	4/2004	Stout, Jr.
D489,806	S	5/2004	Stout, Jr.
D492,024	S	6/2004	Stout, Jr.
D492,025	S	6/2004	Stout, Jr.

(Continued)

*Primary Examiner*—Louis Zarfaz

*Assistant Examiner*—David Muller

(74) *Attorney, Agent, or Firm*—Dinsmore & Shohl LLP

(57) **CLAIM**

The ornamental design for a duct and seal assembly, as shown and described.

**DESCRIPTION**

FIG. 1 is a front perspective view of a duct and seal assembly according to an embodiment of the present design;

FIG. 2 is a side view of the duct and seal assembly of FIG. 1, other side views being identical due to the axisymmetric construction of the duct and seal;

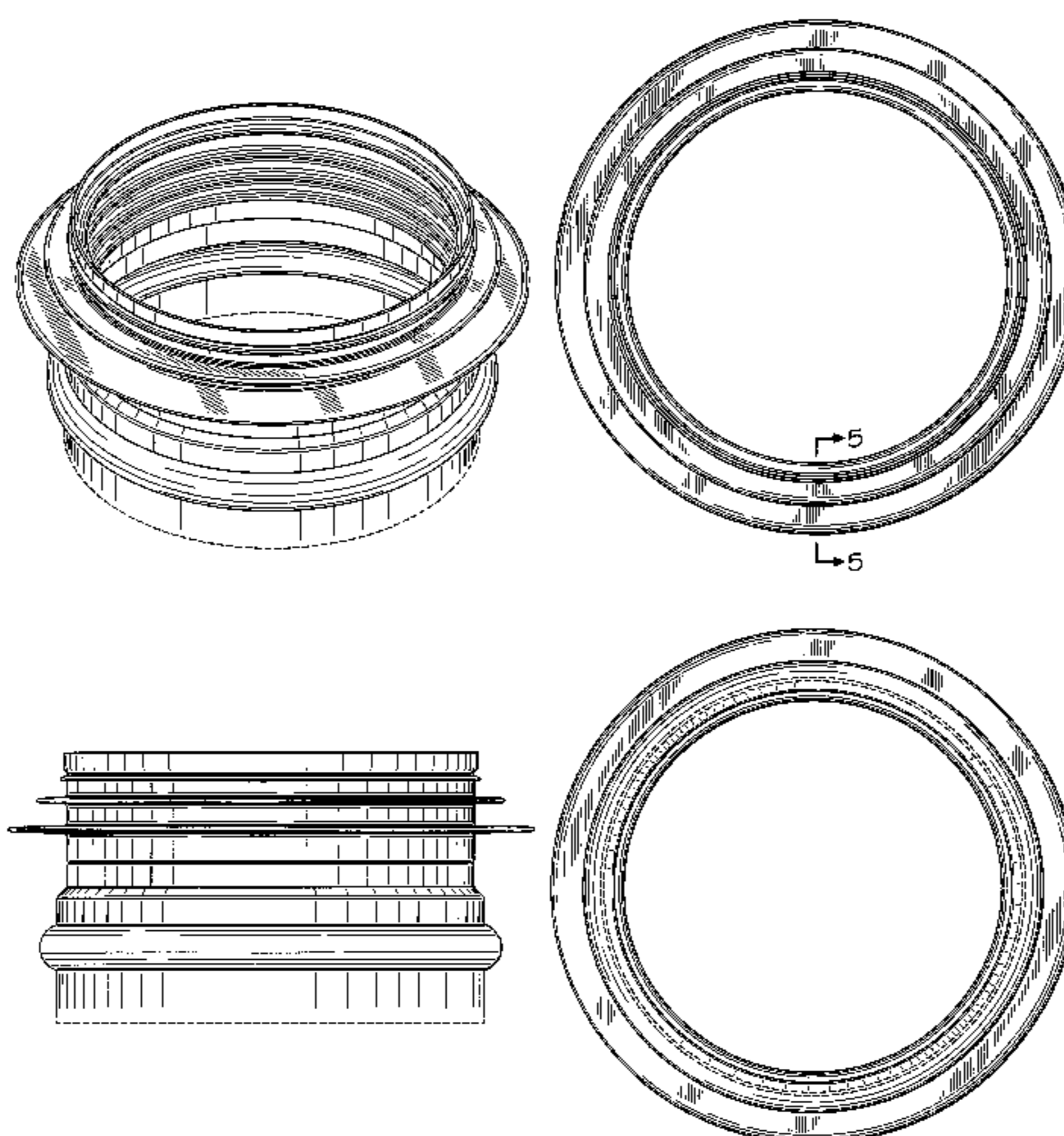
FIG. 3 is a front view of the duct and seal assembly of FIG. 1;

FIG. 4 is a rear view of the duct and seal assembly of FIG. 1; and,

FIG. 5 is a side cutaway view along the lines 5—5 of the duct and seal assembly of FIG. 3.

The broken line showing of the bottom edge of the duct is included for the purpose of illustrating the scope of the claim and forms no part of the claimed design.

**1 Claim, 5 Drawing Sheets**



# US D551,336 S

Page 2

---

## U.S. PATENT DOCUMENTS

6,758,502 B2	7/2004	Mattsson et al.					
D501,547 S	2/2005	Stout, Jr.					
D501,548 S	2/2005	Stout, Jr.					
D513,072 S *	12/2005	Berg .....	D23/386				
D521,632 S	5/2006	Stout, Jr.					
D521,633 S	5/2006	Stout, Jr.					
				D523,131 S	6/2006	Stout, Jr.	
				D524,436 S	7/2006	Stout, Jr.	
				2004/0250403 A1 *	12/2004	Issagholian-Havai .....	29/450
				2006/0006610 A1 *	1/2006	Graham .....	277/602
				2006/0214423 A1 *	9/2006	Sandman et al. ....	285/370
				2006/0253971 A1 *	11/2006	Colin et al. ....	4/541.6

\* cited by examiner

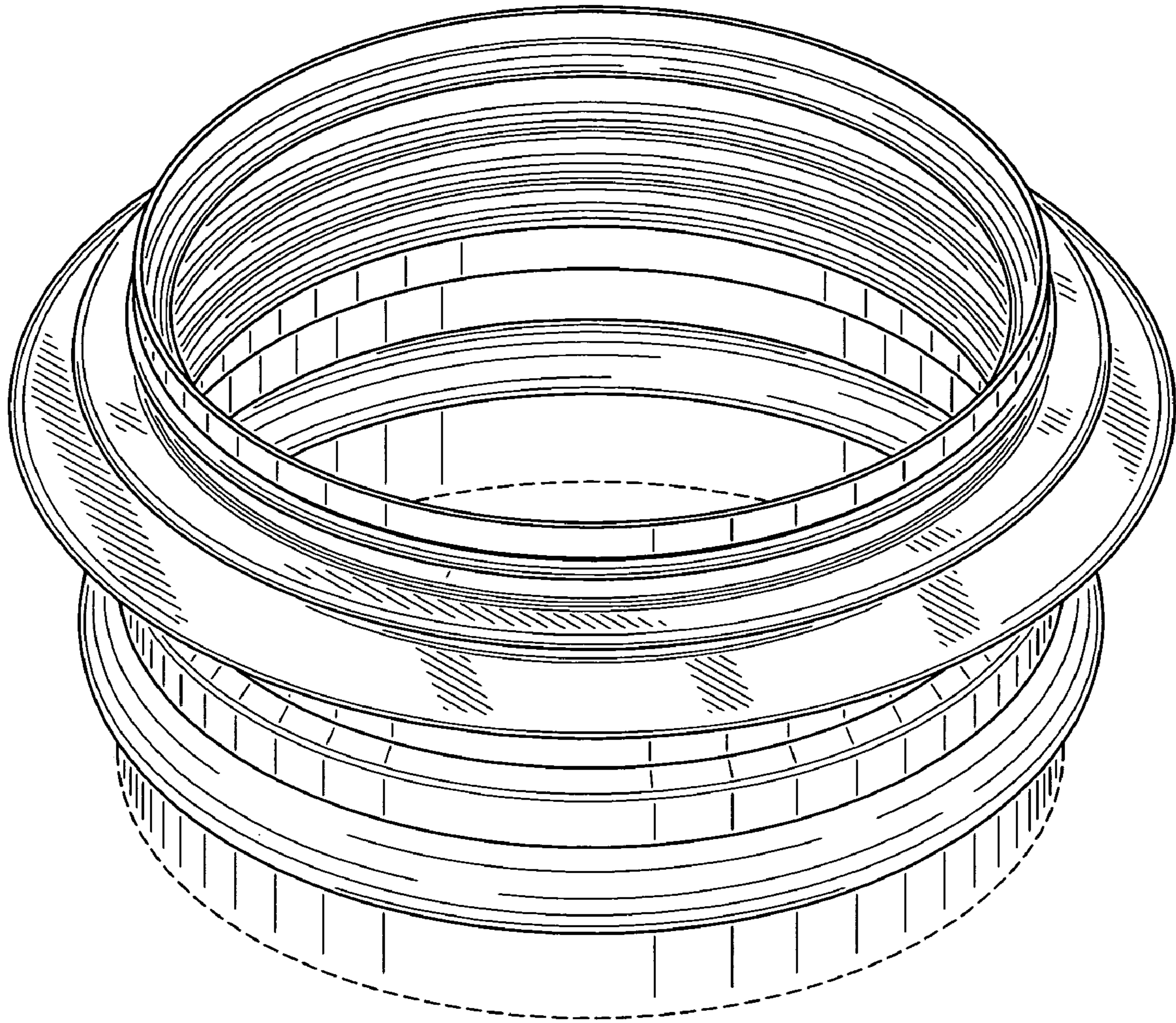


FIG. 1



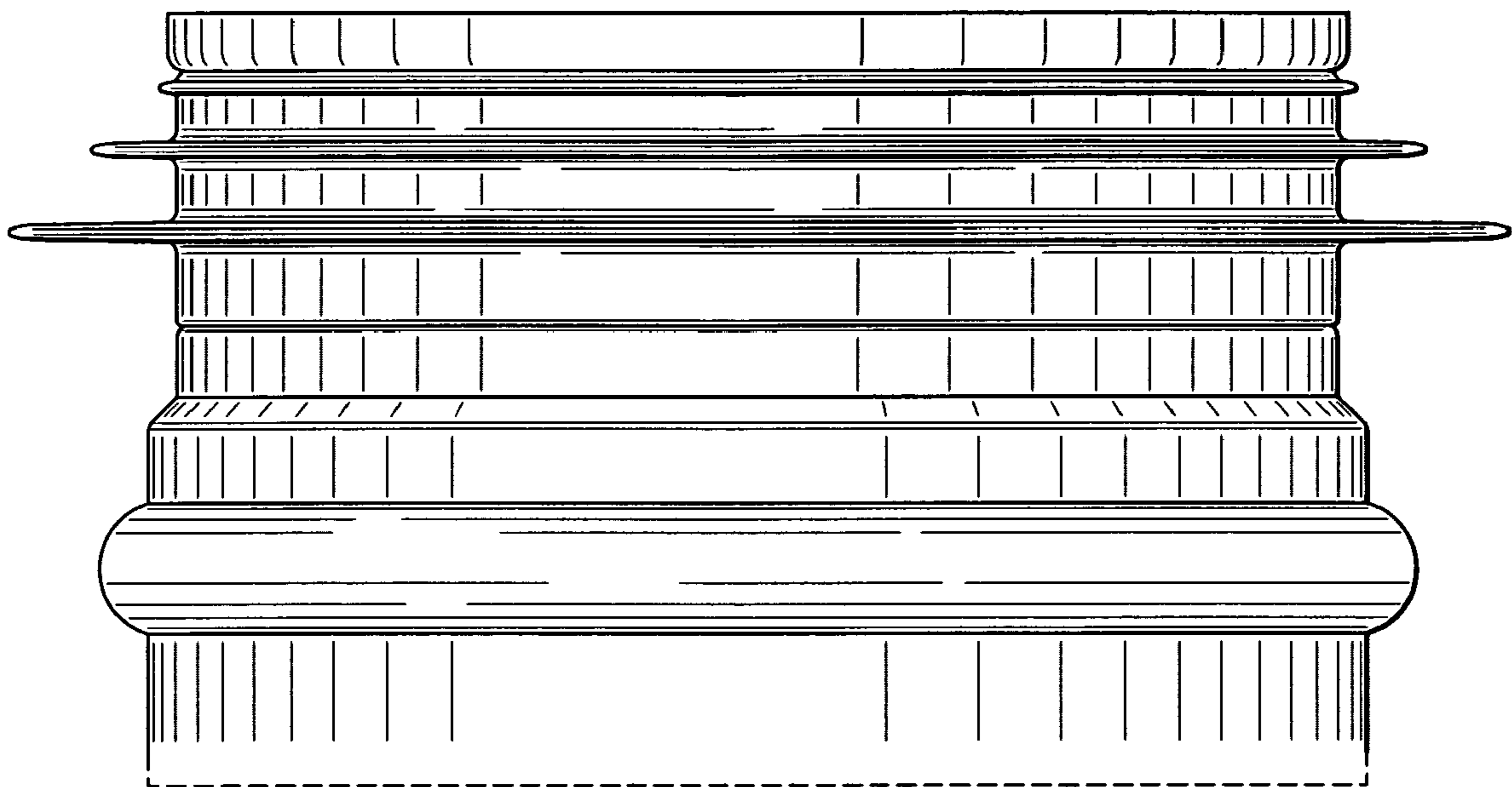


FIG. 2

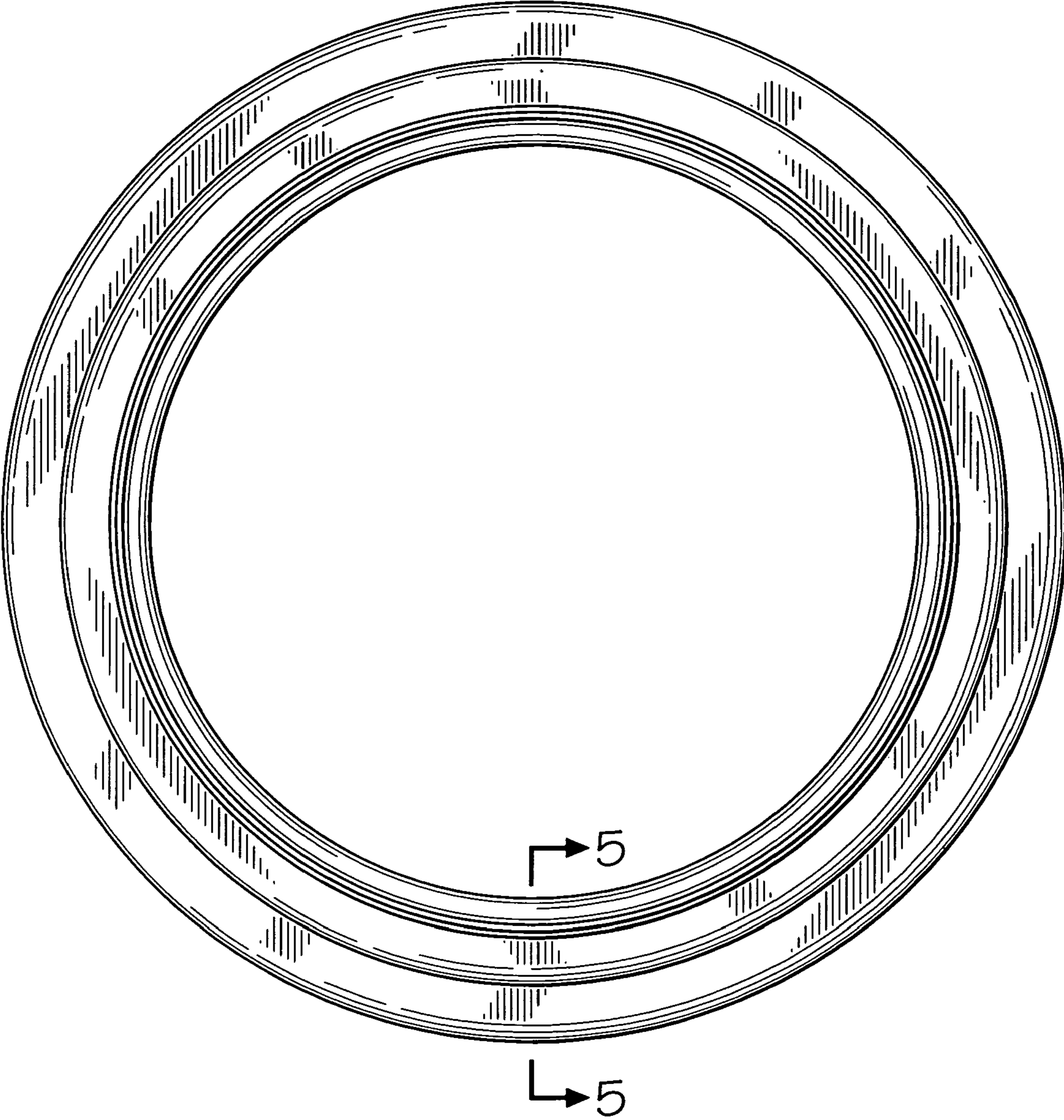


FIG. 3

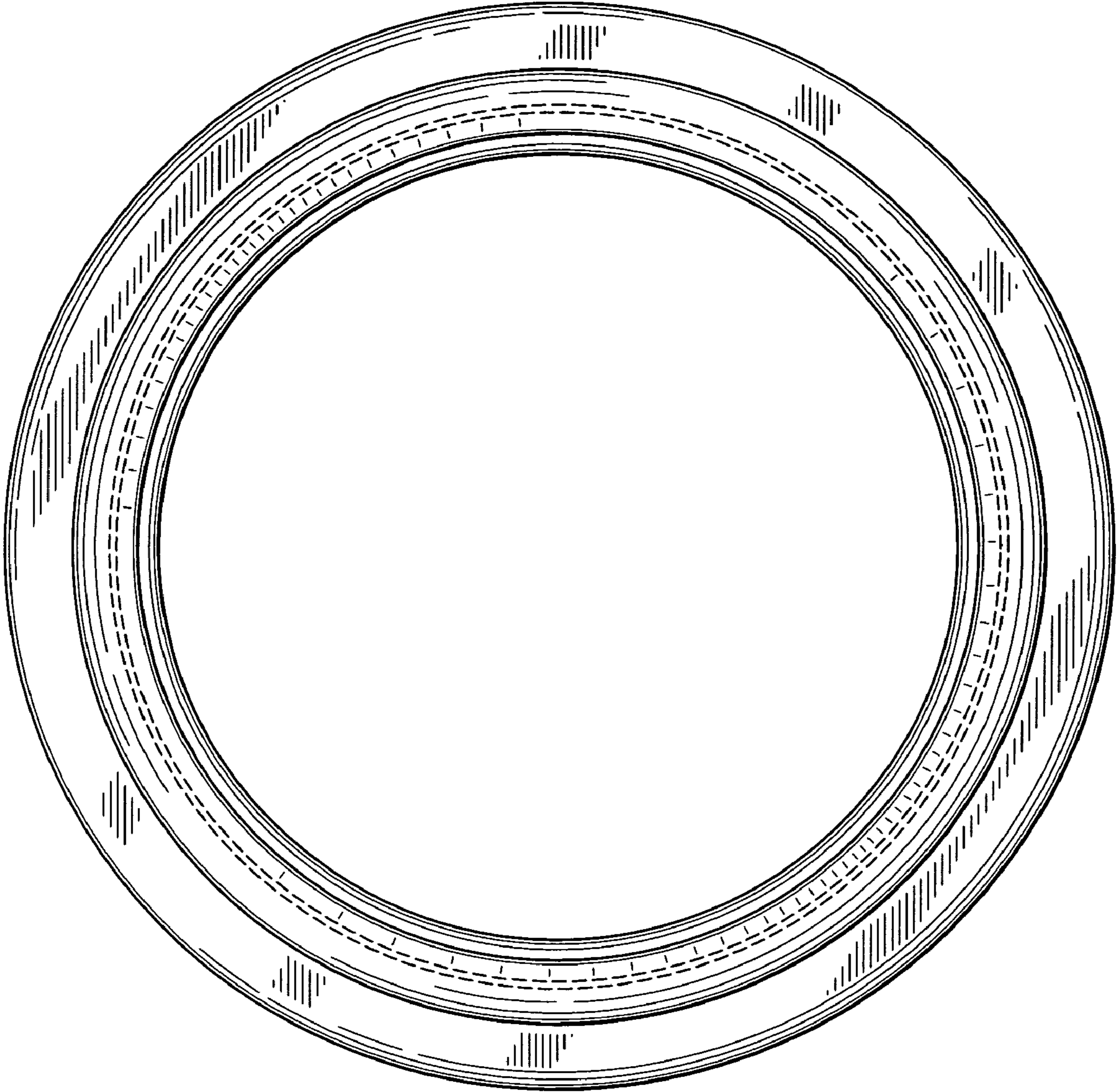


FIG. 4

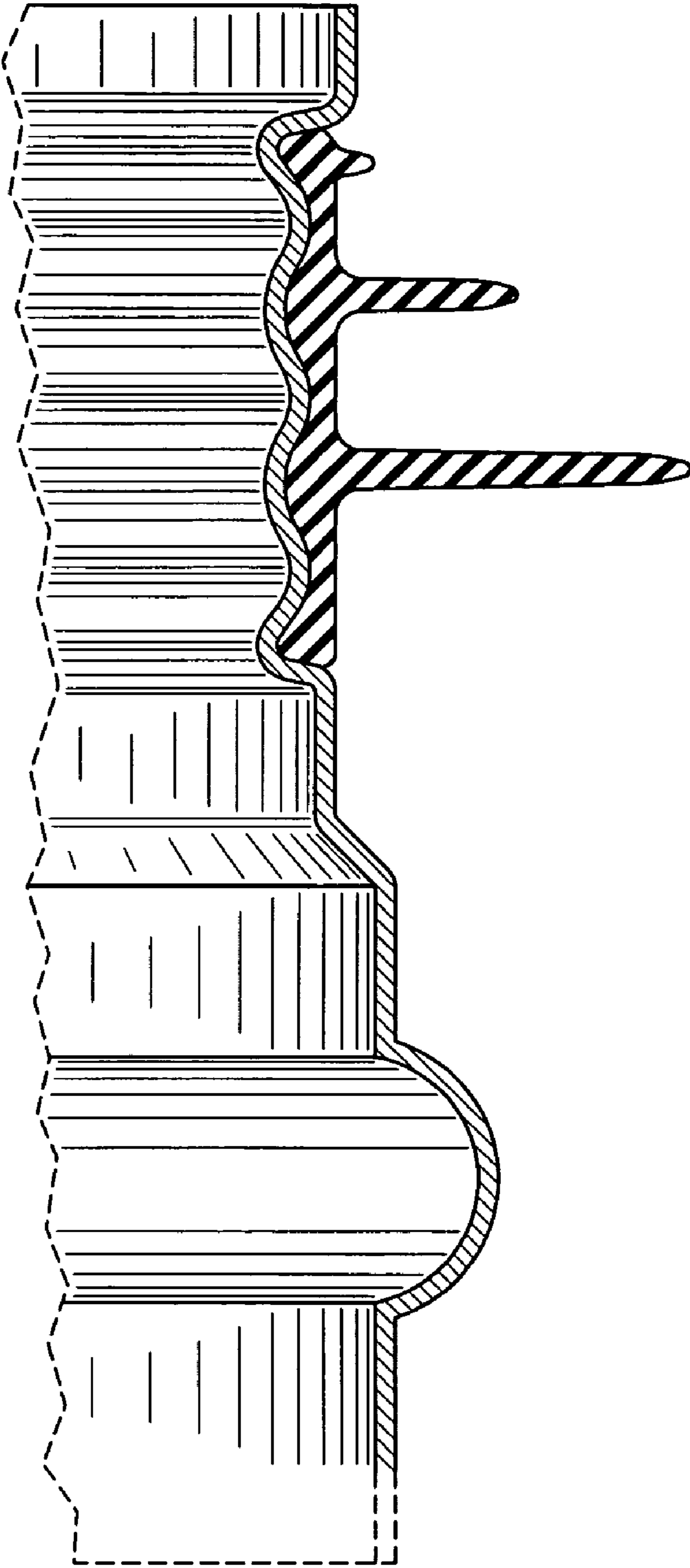


FIG. 5