



US00D551335S

(12) **United States Design Patent**  
**Gajewski**

(10) **Patent No.:** **US D551,335 S**

(45) **Date of Patent:** **\*\* Sep. 18, 2007**

(54) **COMBINATION CEILING FAN AND LIGHT FIXTURE**

(75) Inventor: **Mark Gajewski**, Avila Beach, CA (US)

(73) Assignee: **Minka Lighting, Inc.**, Corona, CA (US)

(\*\*) Term: **14 Years**

(21) Appl. No.: **29/249,806**

(22) Filed: **Oct. 23, 2006**

(51) **LOC (8) Cl.** ..... **23-04**

(52) **U.S. Cl.** ..... **D23/377; 26/59**

(58) **Field of Classification Search** ..... D23/377,  
D23/379, 385, 411, 413; 416/5; D26/59,  
D26/71, 81-88, 51; 362/96

See application file for complete search history.

(56) **References Cited**

**U.S. PATENT DOCUMENTS**

D426,630 S	6/2000	Gajewski	
D426,879 S	6/2000	Gajewski	
D441,442 S *	5/2001	Williams	..... D23/411
D502,770 S *	3/2005	Hidalgo	..... D23/377
D522,643 S *	6/2006	Hidalgo	..... D23/377

**OTHER PUBLICATIONS**

- U.S. Appl. No. 29/249,817.
- U.S. Appl. No. 29/249,820.
- U.S. Appl. No. 29/249,821.
- U.S. Appl. No. 29/249,822.
- U.S. Appl. No. 29/249,823.
- U.S. Appl. No. 29/249,825.
- U.S. Appl. No. 29/249,826.
- U.S. Appl. No. 29/249,816.
- U.S. Appl. No. 29/249,807.
- U.S. Appl. No. 29/249,808.
- U.S. Appl. No. 29/249,809.
- U.S. Appl. No. 29/249,812.
- U.S. Appl. No. 29/249,814.
- U.S. Appl. No. 29/249,815.
- MinkaAire Internet Catalog; Acero ceiling fan; Model F-601; printed from minkagroup.net.

- Nelson Bubble Lamps Internet Catalog; Nelson Ball lamp; Model #BUB-ball; printed from www.ylighting.com.
- B.Lux Internet Catalog; globe pendant light; Model #GLB-BLX-639300U; printed from www.ylighting.com.
- Flos Internet Catalog; Glo-Ball Suspension lamp; Model #flos-glo-ball s; printed from www.formplusfunction.com.
- Sogno Internet Catalog; Pupazzo floor lamp; Model # FL0601-38; printed from www.thesogno.com.
- Sogno Internet Catalog; Saturno floor lamp; Model # FL/0026; printed from www.thesogno.com.
- Sogno Internet Catalog; Saturno suspension lamp; Model # SP/0027; printed from www.thesogno.com.
- Woolen Mill Fan Company Internet Catalog; printed from www.architecturalfans.com.
- Vistosi Internet Catalog; Diamante lamp; printed from www.vistosi.it.

\* cited by examiner

*Primary Examiner*—Lisa Lichtenstein  
(74) *Attorney, Agent, or Firm*—Baker & McKenzie LLP

(57) **CLAIM**

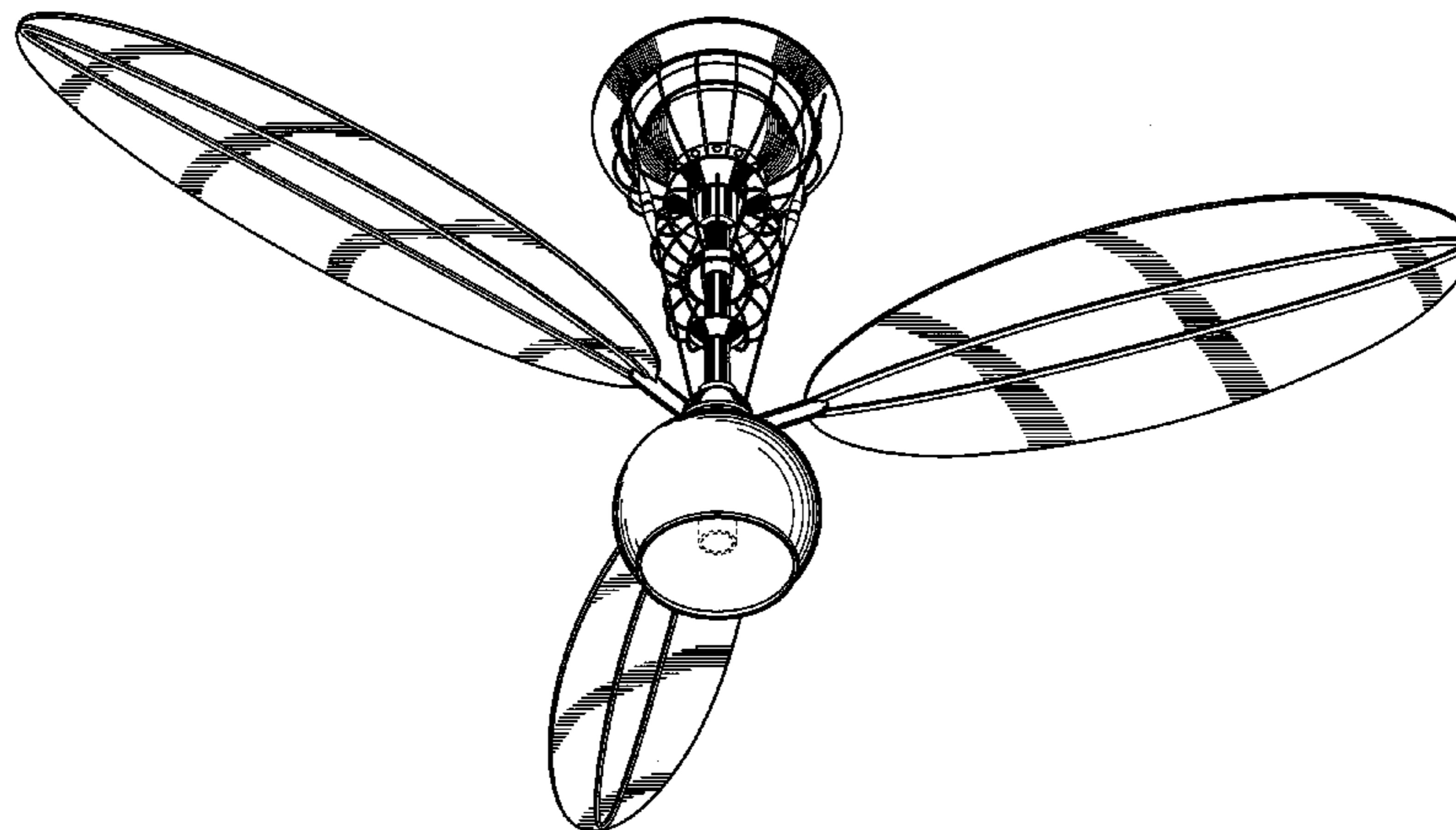
The ornamental design for a combination ceiling fan and light fixture, as shown and described.

**DESCRIPTION**

FIG. 1 is a perspective view from below of a combination ceiling fan and light fixture in accordance with my design; FIG. 2 is a reduced top plan view of the combination ceiling fan and light fixture in accordance with my design; FIG. 3 is a reduced bottom plan view of the combination ceiling fan and light fixture in accordance with my design; FIG. 4 is a front elevation view of the combination ceiling fan and light fixture in accordance with my design; FIG. 5 is a back elevation view of the combination ceiling fan and light fixture in accordance with my design; and, FIG. 6 is a side elevation view of the combination ceiling fan and light fixture in accordance with my design, the opposite view being a mirror image thereof.

The broken line showing of a portion of a light fixture is included for the purpose of illustrating environmental structure and forms no part of the claimed design.

**1 Claim, 6 Drawing Sheets**



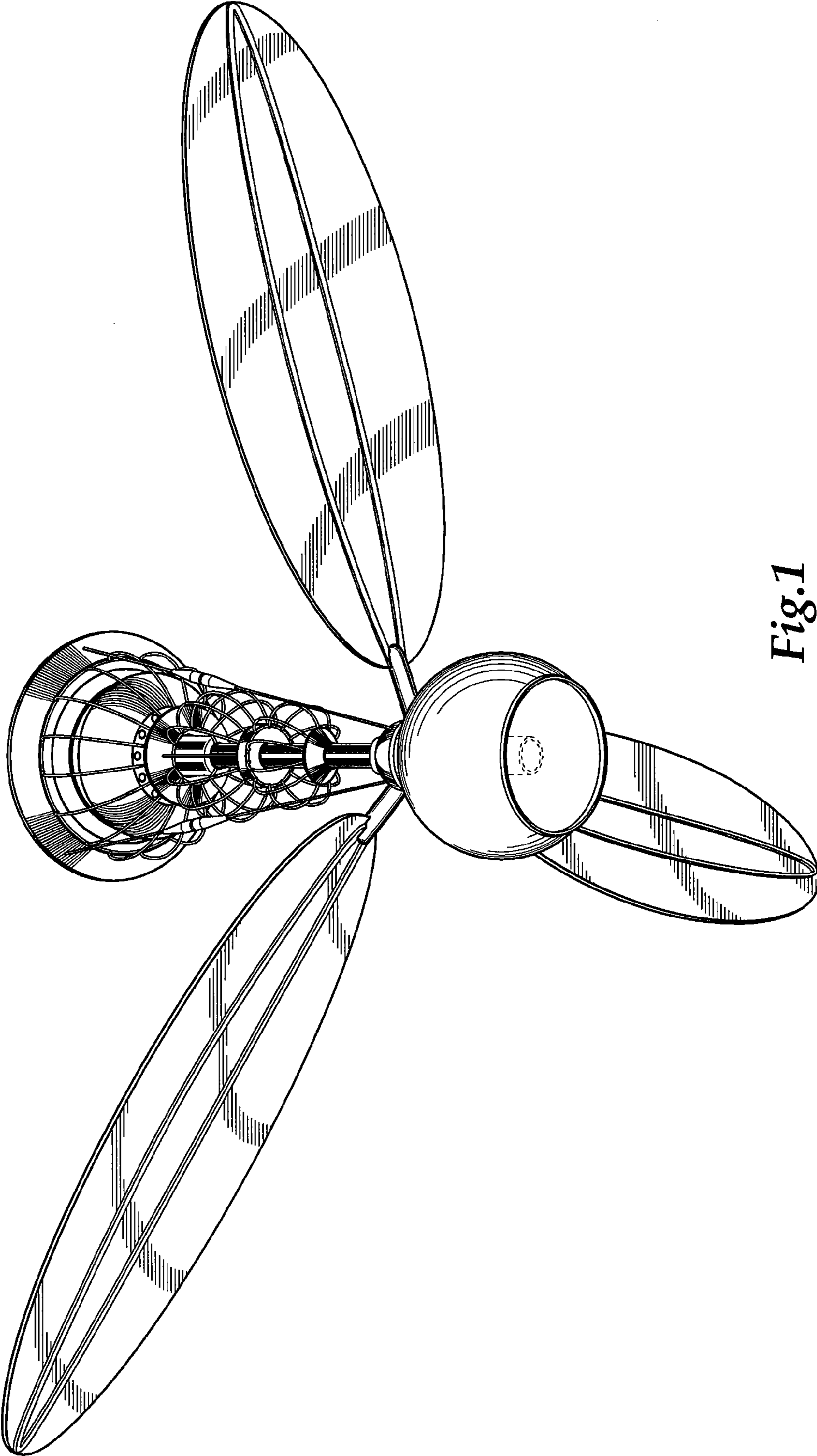
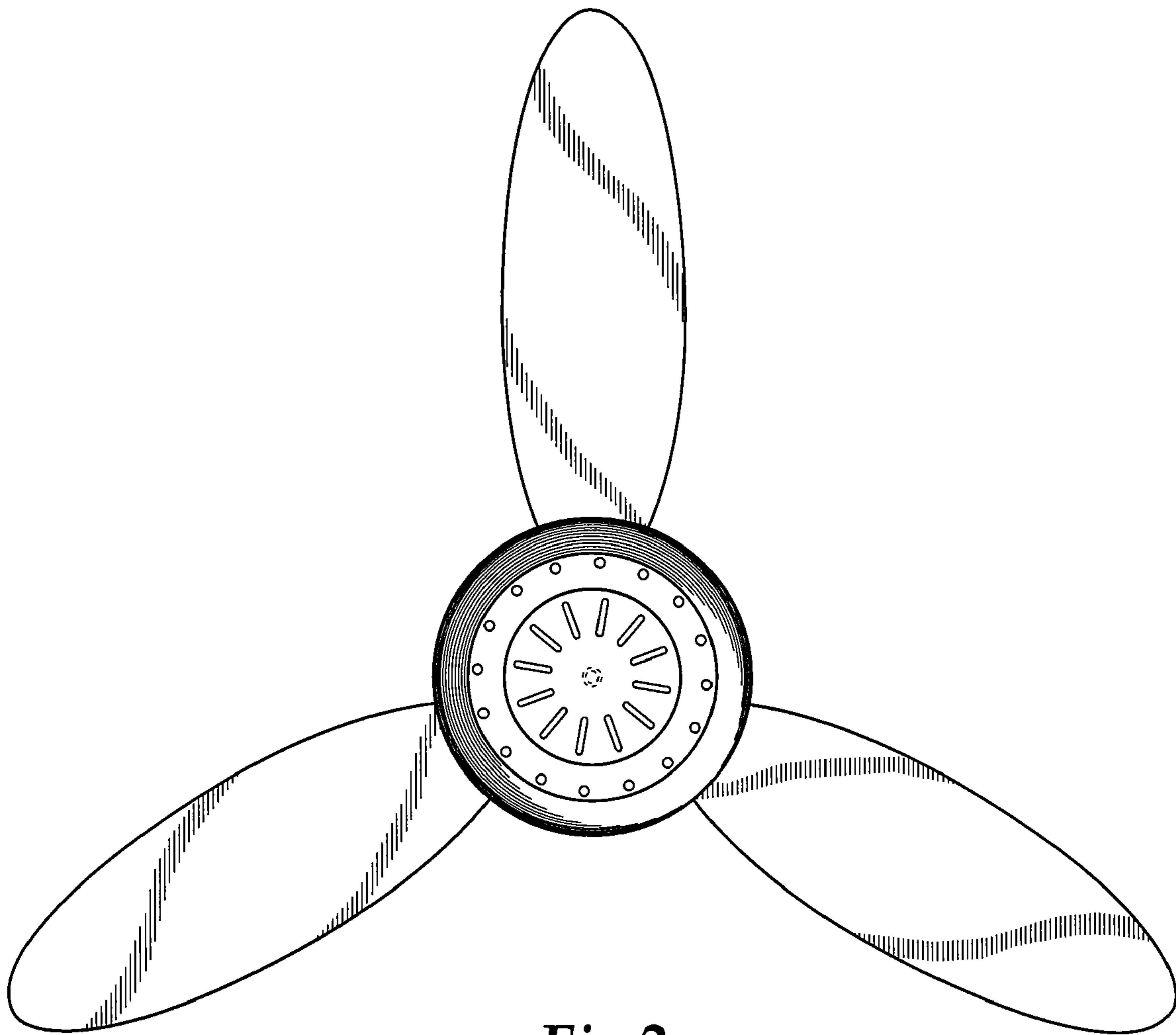
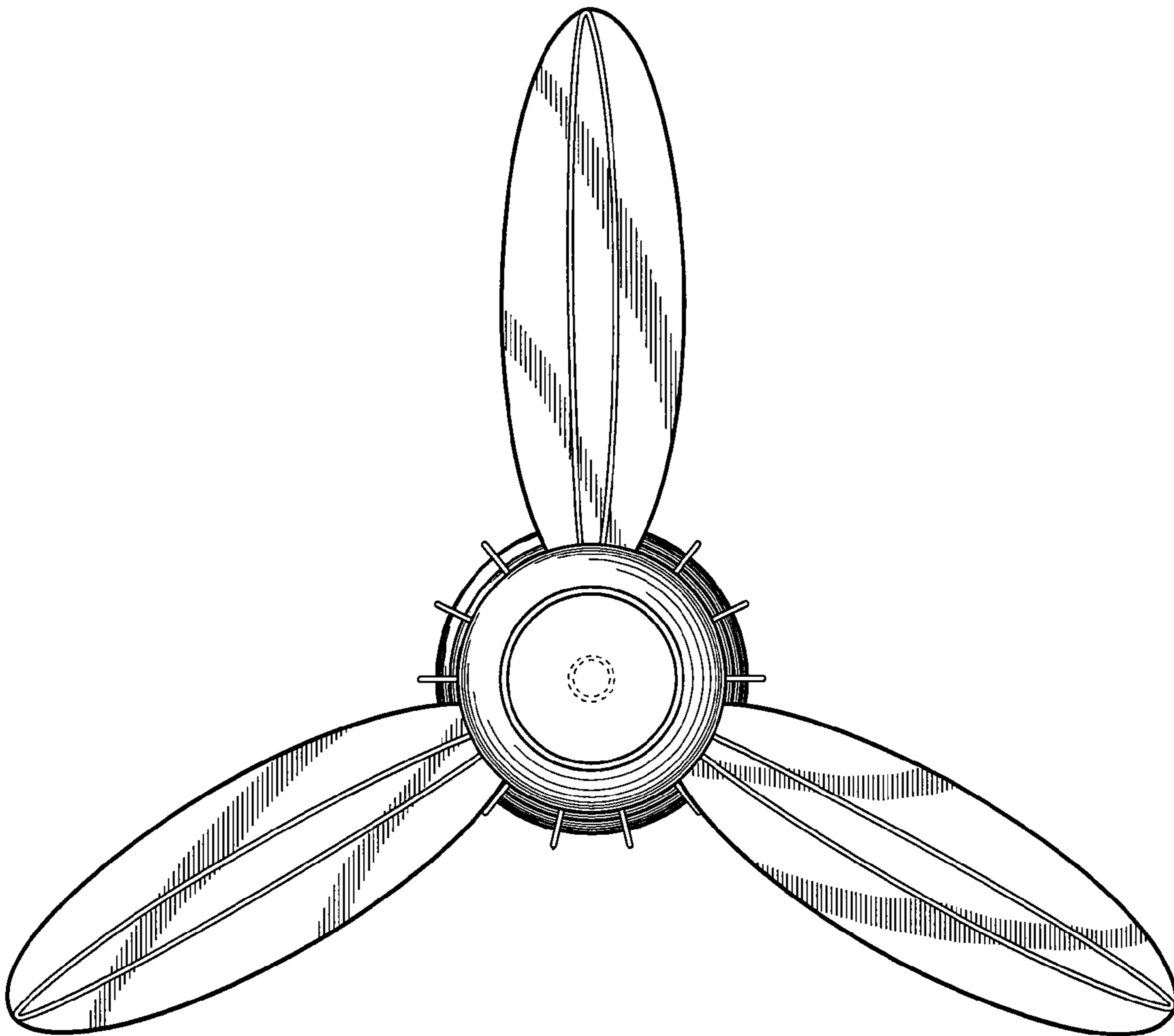


Fig. 1



*Fig.2*



*Fig.3*

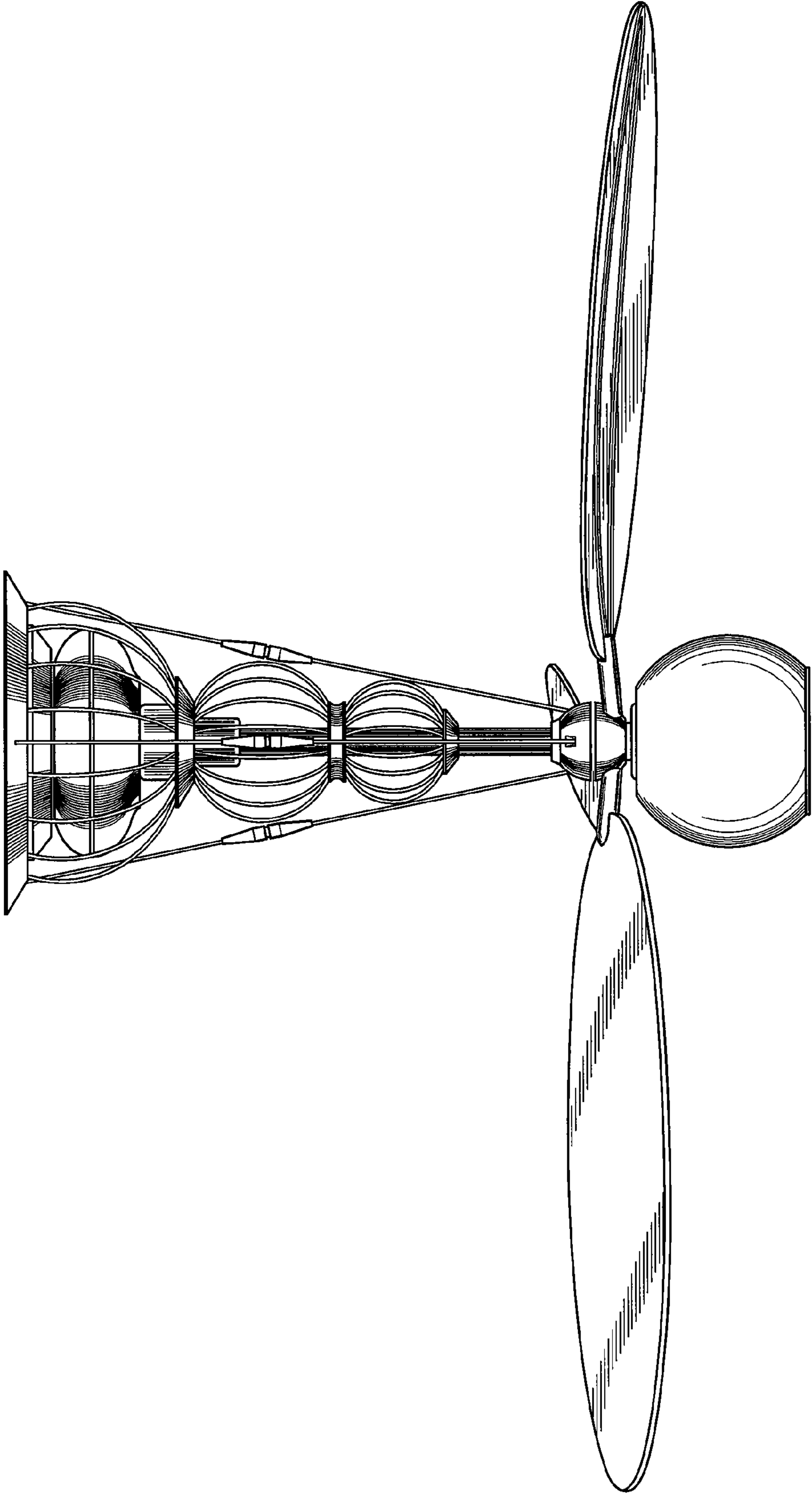
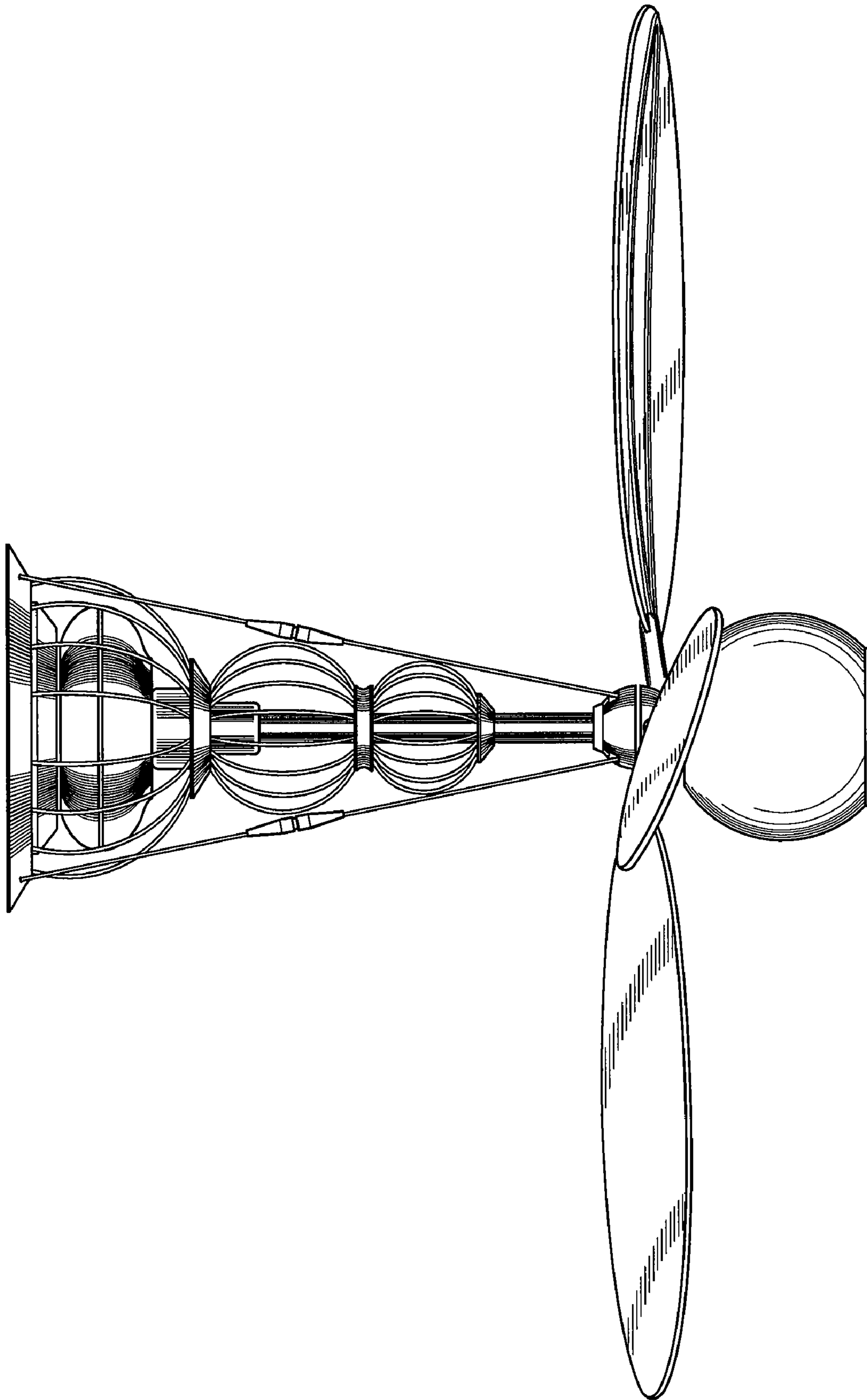
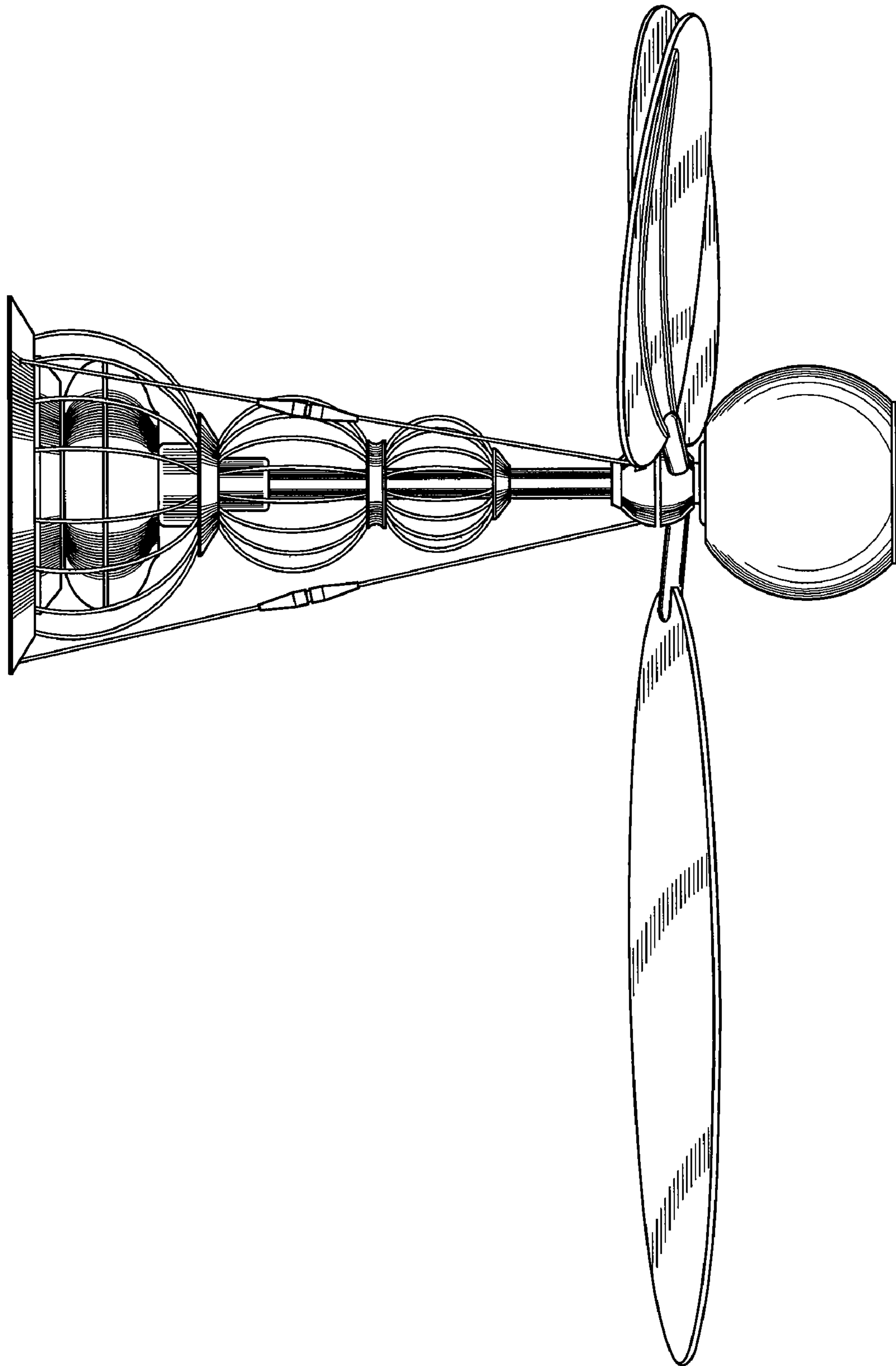


Fig.4



*Fig.5*



*Fig. 6*