



US00D551333S

(12) **United States Design Patent**
Wu

(10) **Patent No.: US D551,333 S**

(45) **Date of Patent: ** Sep. 18, 2007**

(54) **AIR FRESHENER DEVICE**

(75) Inventor: **Henry Wu, Hsin-Tien (TW)**

(73) Assignee: **Aromated Industries Co., Ltd. (TW)**

(**) Term: **14 Years**

(21) Appl. No.: **29/265,495**

(22) Filed: **Sep. 1, 2006**

(51) **LOC (8) Cl. 23-99**

(52) **U.S. Cl. D23/366**

(58) **Field of Classification Search** 392/341,
392/342, 386, 390, 392-394, 401-406; D28/5,
D28/6; 239/34-35, 53-60, 135-136, 326-327,
239/338; D23/355-369; 261/DIG. 17, DIG. 42,
261/DIG. 65, DIG. 88, DIG. 89

See application file for complete search history.

(56) **References Cited**

U.S. PATENT DOCUMENTS

D159,407	S	*	7/1950	Costello	D23/366
2,513,919	A	*	7/1950	Costello	392/392
D212,753	S	*	11/1968	Tughan	D23/369
D246,986	S	*	1/1978	Costello	D23/360
4,084,079	A	*	4/1978	Costello	392/392
D254,930	S	*	5/1980	Mandon et al.	D23/369
D254,931	S	*	5/1980	Mandon et al.	D23/369
4,391,781	A	*	7/1983	van Lit	422/125
D296,820	S	*	7/1988	Suhajda	D23/363
D349,157	S	*	7/1994	Rymer	D23/362
D373,626	S	*	9/1996	Dente et al.	D23/366
5,752,658	A	*	5/1998	Gibbs et al.	239/56

D400,662	S	*	11/1998	Davis	D23/366
D403,420	S	*	12/1998	Vullion	D23/367
6,103,201	A	*	8/2000	Green	422/124
6,148,143	A	*	11/2000	Steinel, Jr.	392/390
D441,441	S	*	5/2001	Upson	D23/366
D443,924	S	*	6/2001	Renella	D23/366
D455,484	S	*	4/2002	Hensel	D23/366
D455,485	S	*	4/2002	Hensel	D23/366
D489,123	S	*	4/2004	Basaganas Millan	D23/366
D491,257	S	*	6/2004	Picken, Jr.	D23/366
6,775,470	B2	*	8/2004	Zobebe et al.	392/390
D503,973	S	*	4/2005	Millan	D23/366

* cited by examiner

Primary Examiner—Sandra Snapp

(74) *Attorney, Agent, or Firm*—Ira S. Dorman

(57) **CLAIM**

The ornamental design for an air freshener device, as shown.

DESCRIPTION

FIG. 1 is perspective view of an air freshener device embodying the present invention;

FIG. 2 is a front view of the air freshener device;

FIG. 3 is a rear view of the air freshener device;

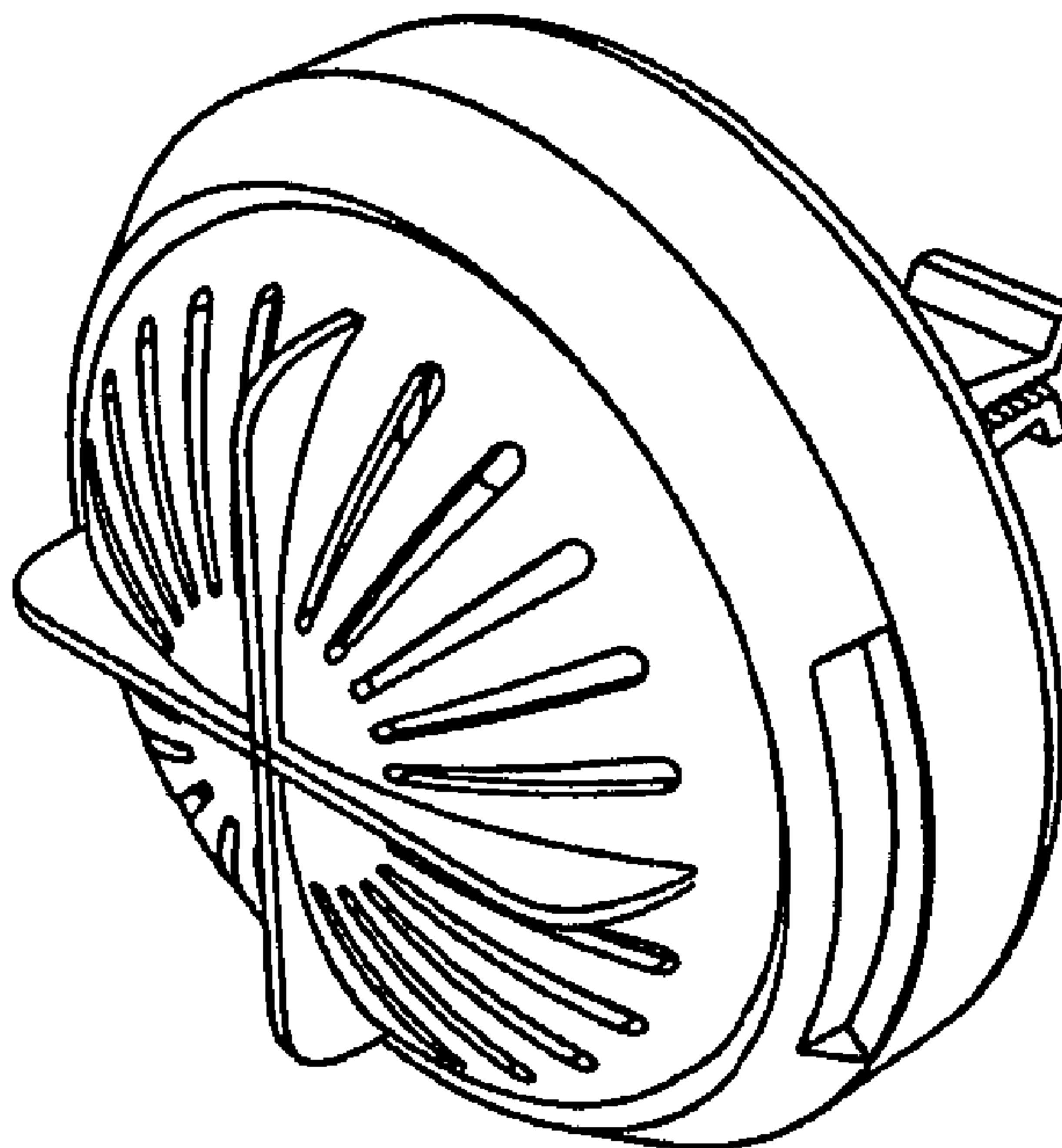
FIG. 4 is a right side view of the air freshener device;

FIG. 5 is a left side view of the air freshener device;

FIG. 6 is a top view of the air freshener device; and,

FIG. 7 is a bottom view of the air freshener device.

1 Claim, 7 Drawing Sheets



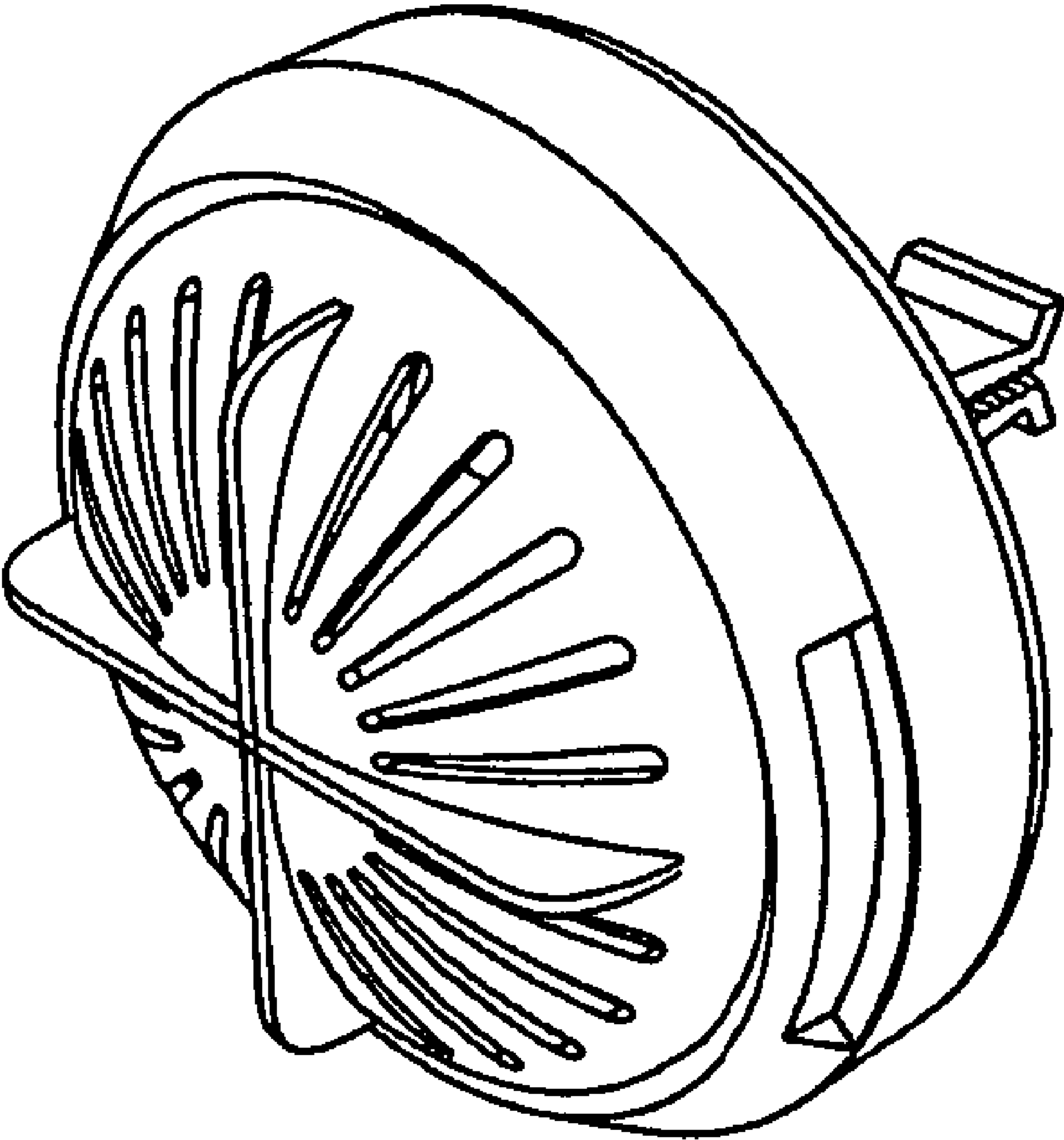


FIG. 1

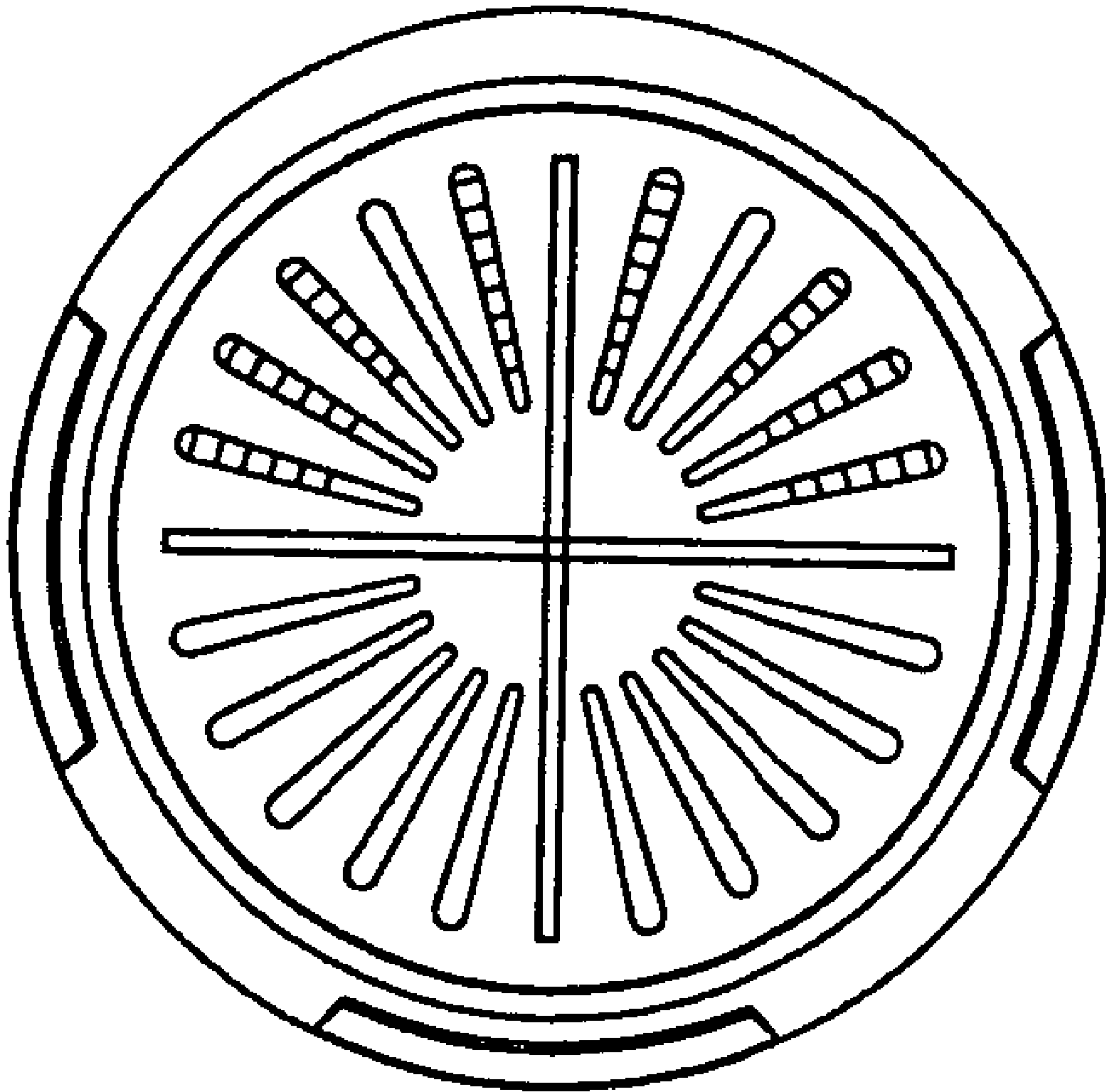


FIG.2

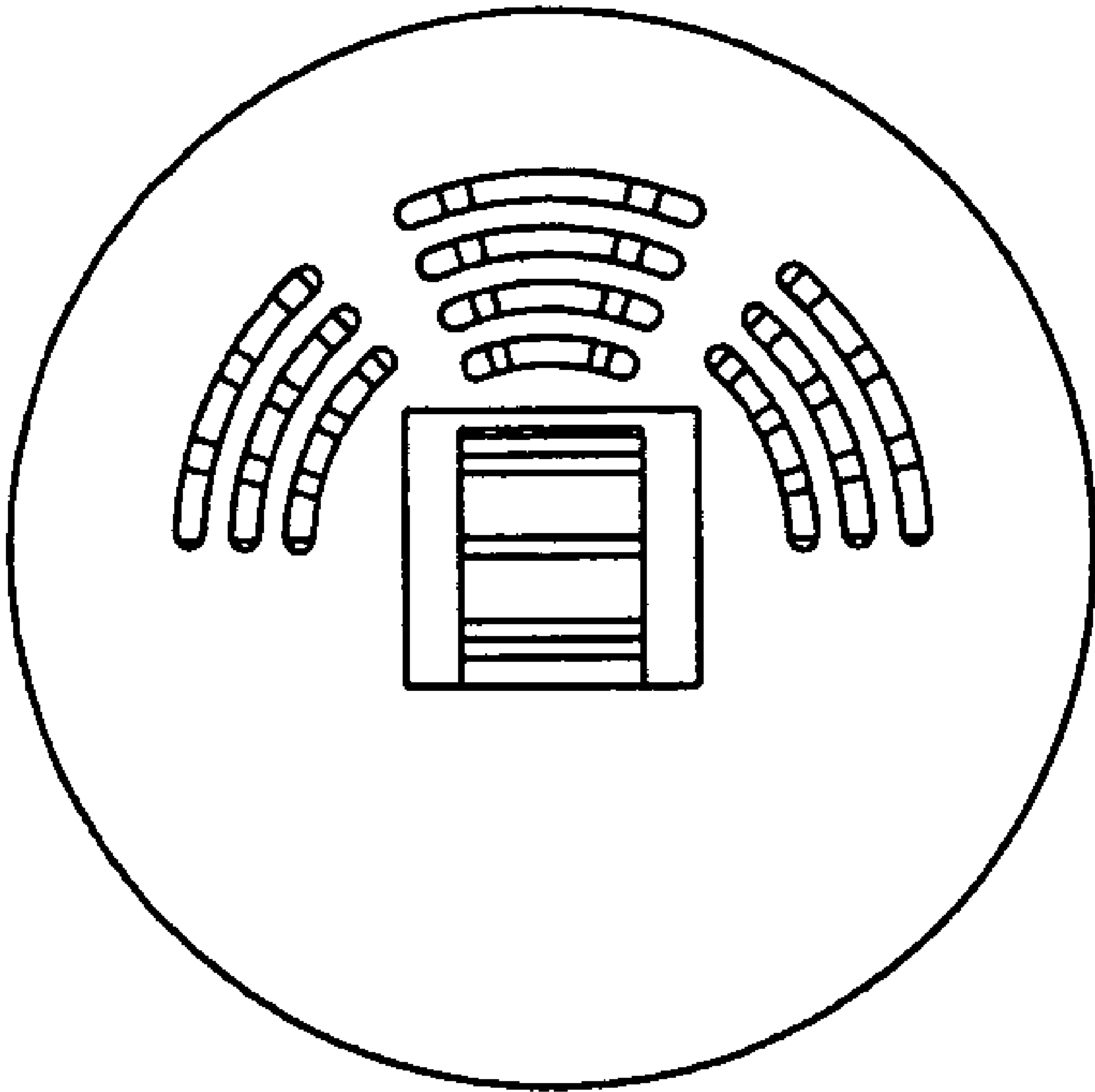


FIG. 3

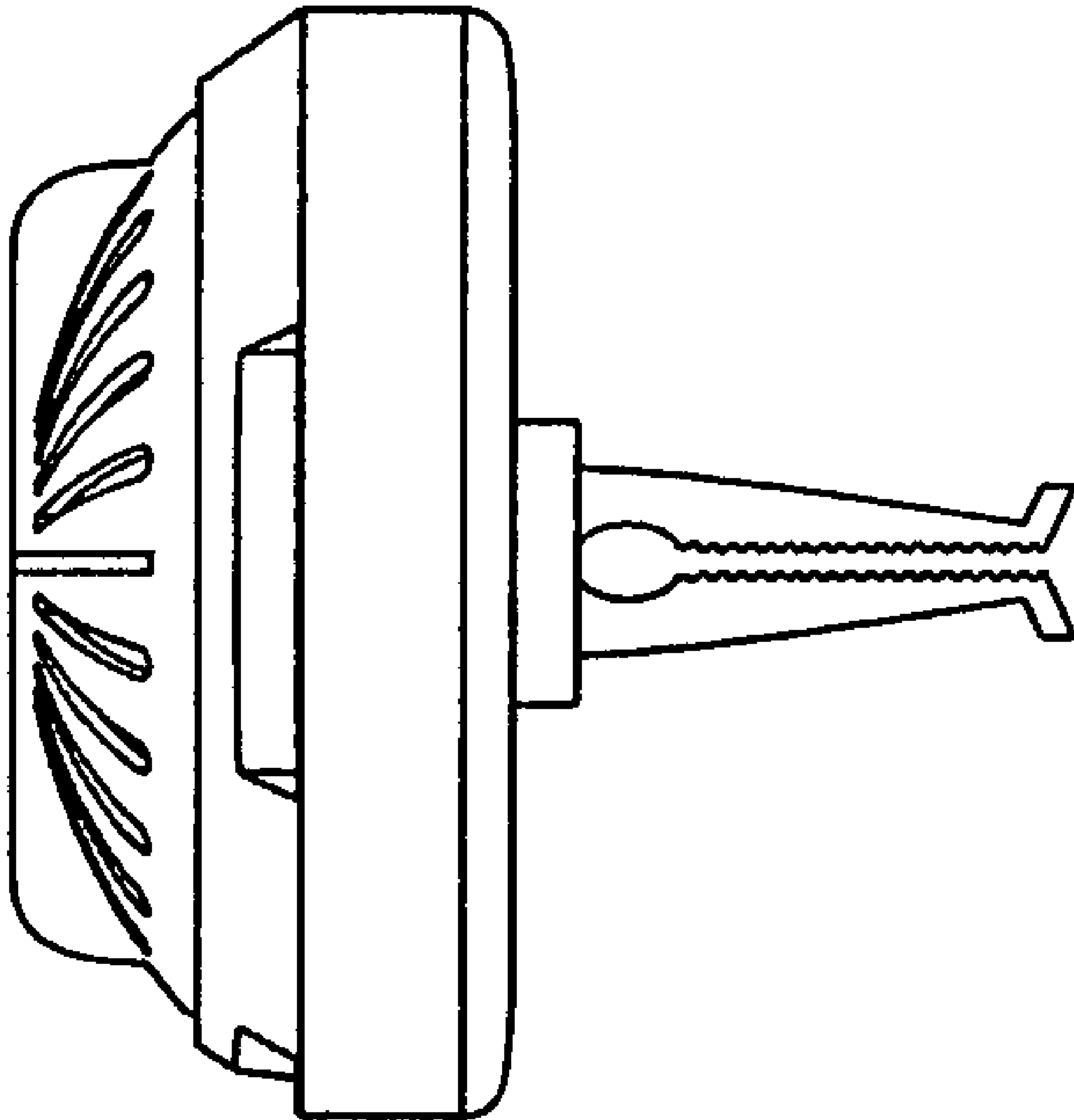


FIG.4

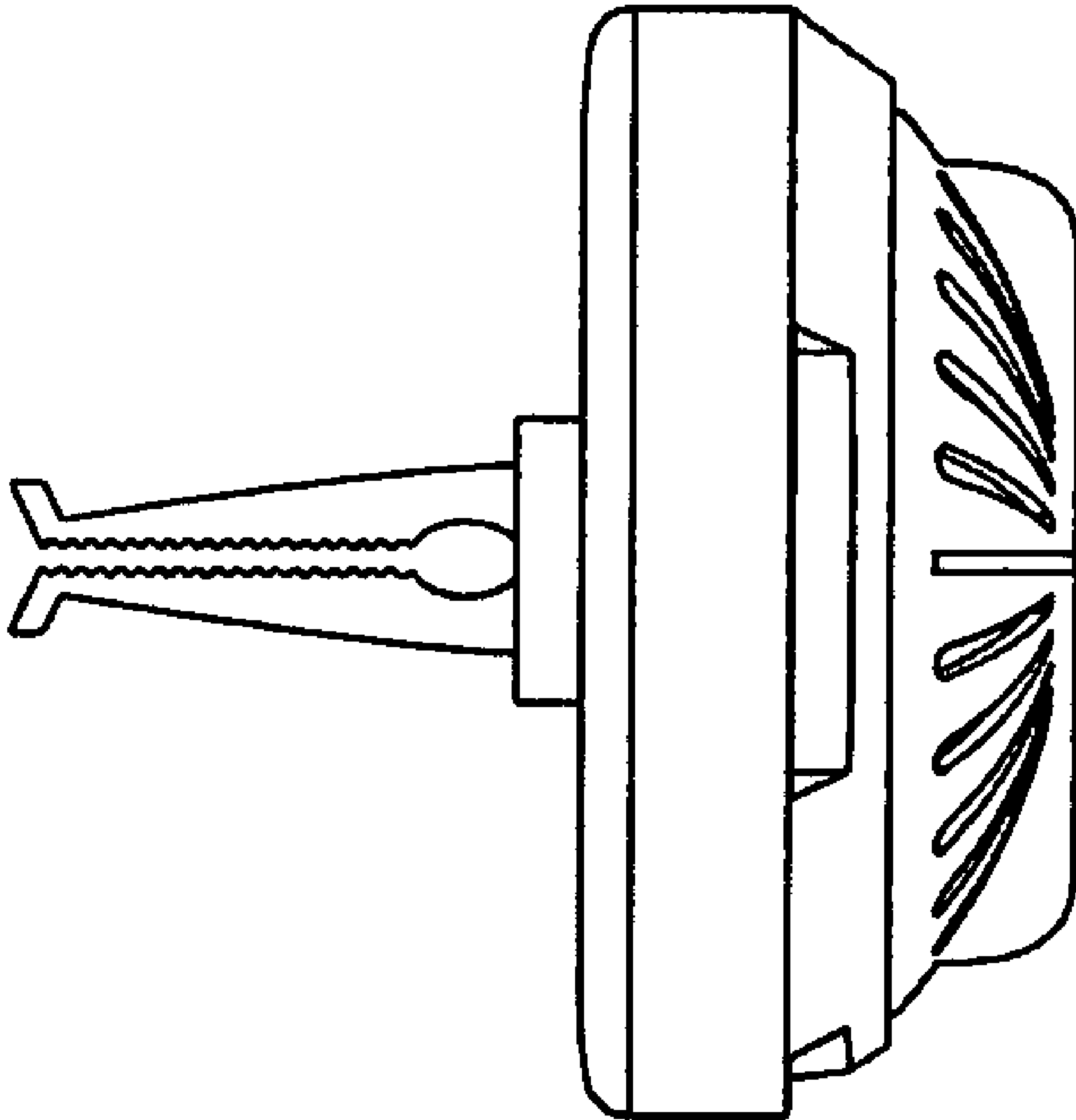


FIG. 5

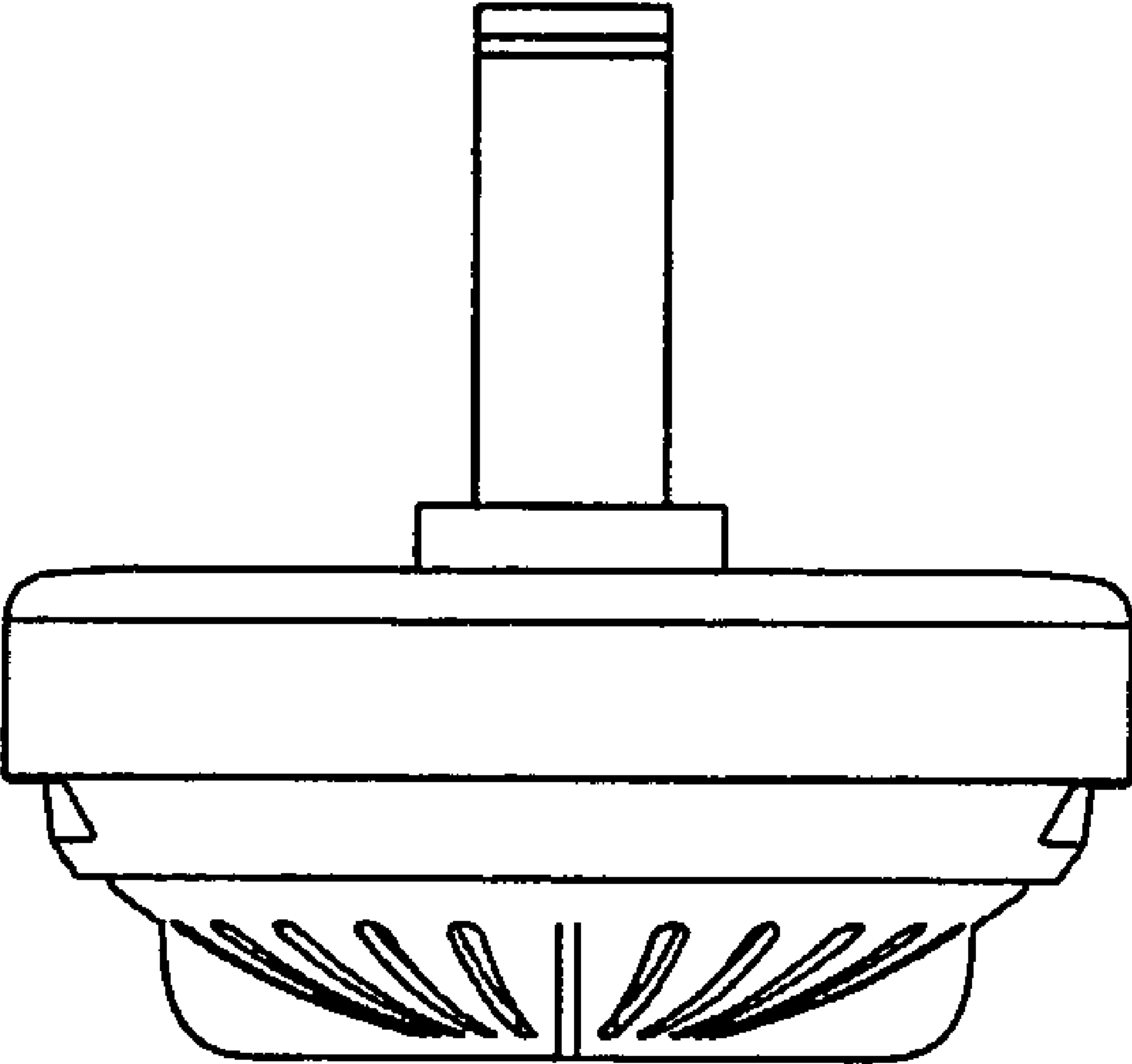


FIG. 6

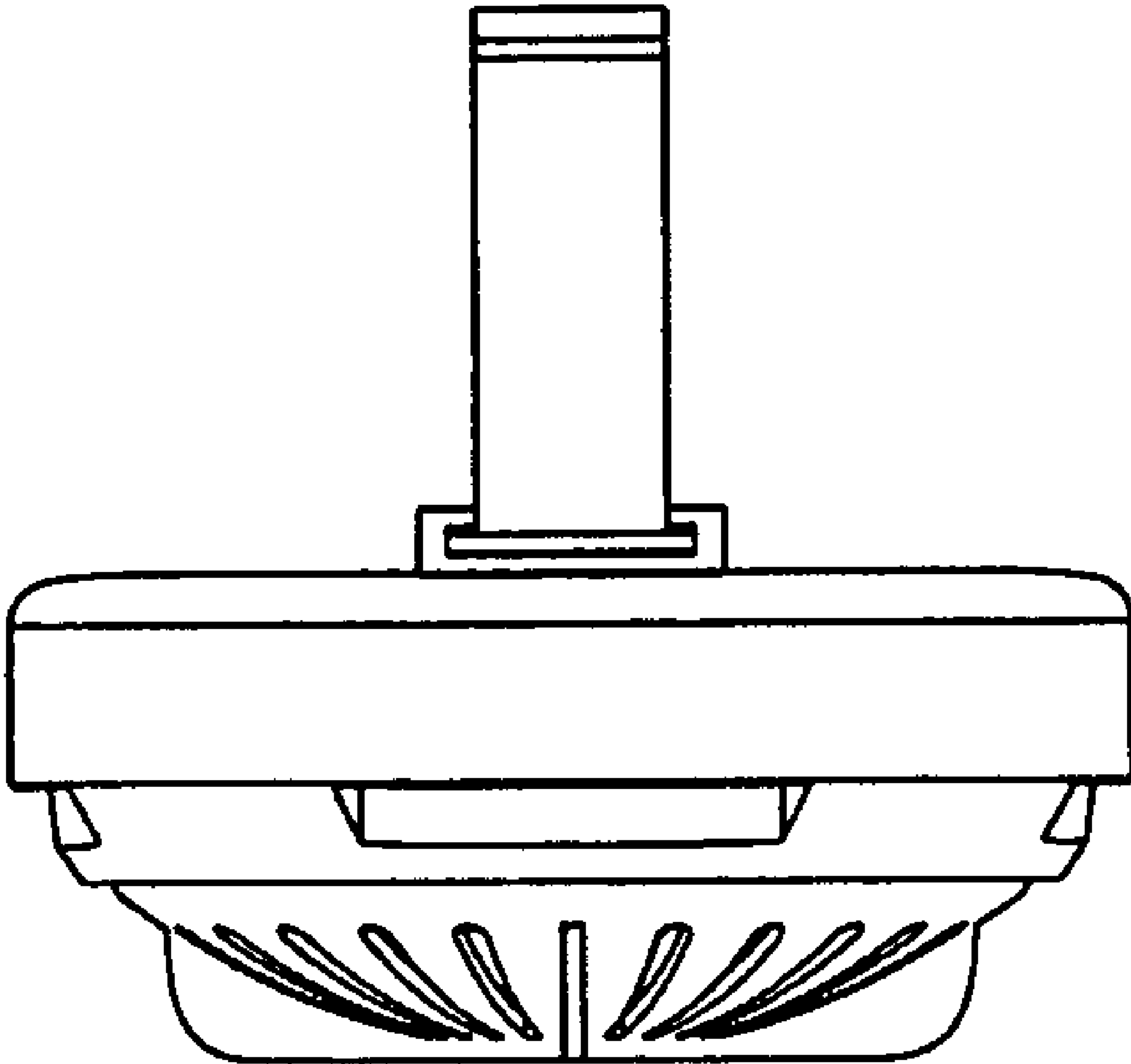


FIG. 7