



US00D551332S

(12) **United States Design Patent**
Yamamoto

(10) **Patent No.:** **US D551,332 S**

(45) **Date of Patent:** **** Sep. 18, 2007**

(54) **CHEMICAL HEATING VOLATILIZING APPARATUS**

(75) Inventor: **Kazunori Yamamoto**, Hiroshima (JP)

(73) Assignee: **Fumakilla Limited**, Tokyo (JP)

(**) Term: **14 Years**

(21) Appl. No.: **29/259,442**

(22) Filed: **May 9, 2006**

(30) **Foreign Application Priority Data**

Nov. 9, 2005 (JP) 2005-032940

(51) **LOC (8) Cl.** **23-99**

(52) **U.S. Cl.** **D23/366**

(58) **Field of Classification Search** 392/341,
392/342, 386, 390, 392-394, 401-406; D28/5,
D28/6; 239/34-35, 53-60, 135-136, 326-327,
239/338; D23/355-369; 261/DIG. 17, DIG. 42,
261/DIG. 65, DIG. 88, DIG. 89

See application file for complete search history.

(56) **References Cited**

U.S. PATENT DOCUMENTS

D253,488 S *	11/1979	Hoyt	D23/369
4,214,146 A *	7/1980	Schimanski	392/390
4,391,781 A *	7/1983	van Lit	422/125
4,549,250 A *	10/1985	Spector	362/96
4,849,606 A *	7/1989	Martens et al.	392/390
5,136,684 A *	8/1992	Lonker et al.	392/392

5,522,008 A *	5/1996	Bernard	392/392
5,647,052 A *	7/1997	Patel et al.	392/390
5,899,381 A *	5/1999	Gordon et al.	239/6
6,078,728 A *	6/2000	O'Rourke et al.	392/390
6,104,866 A *	8/2000	DeWitt et al.	392/390
6,141,496 A *	10/2000	Sundberg et al.	392/390

* cited by examiner

Primary Examiner—Sandra Snapp

(74) *Attorney, Agent, or Firm*—Frishauf, Holtz, Goodman & Chick, P.C.

(57) **CLAIM**

The ornamental design for a chemical heating volatilizing apparatus, as shown.

DESCRIPTION

FIG. 1 is a front, top, right side perspective view of a chemical heating volatilizing apparatus, showing my new design;

FIG. 2 is a front elevational view thereof;

FIG. 3 is a right side view thereof;

FIG. 4 is a left side view thereof;

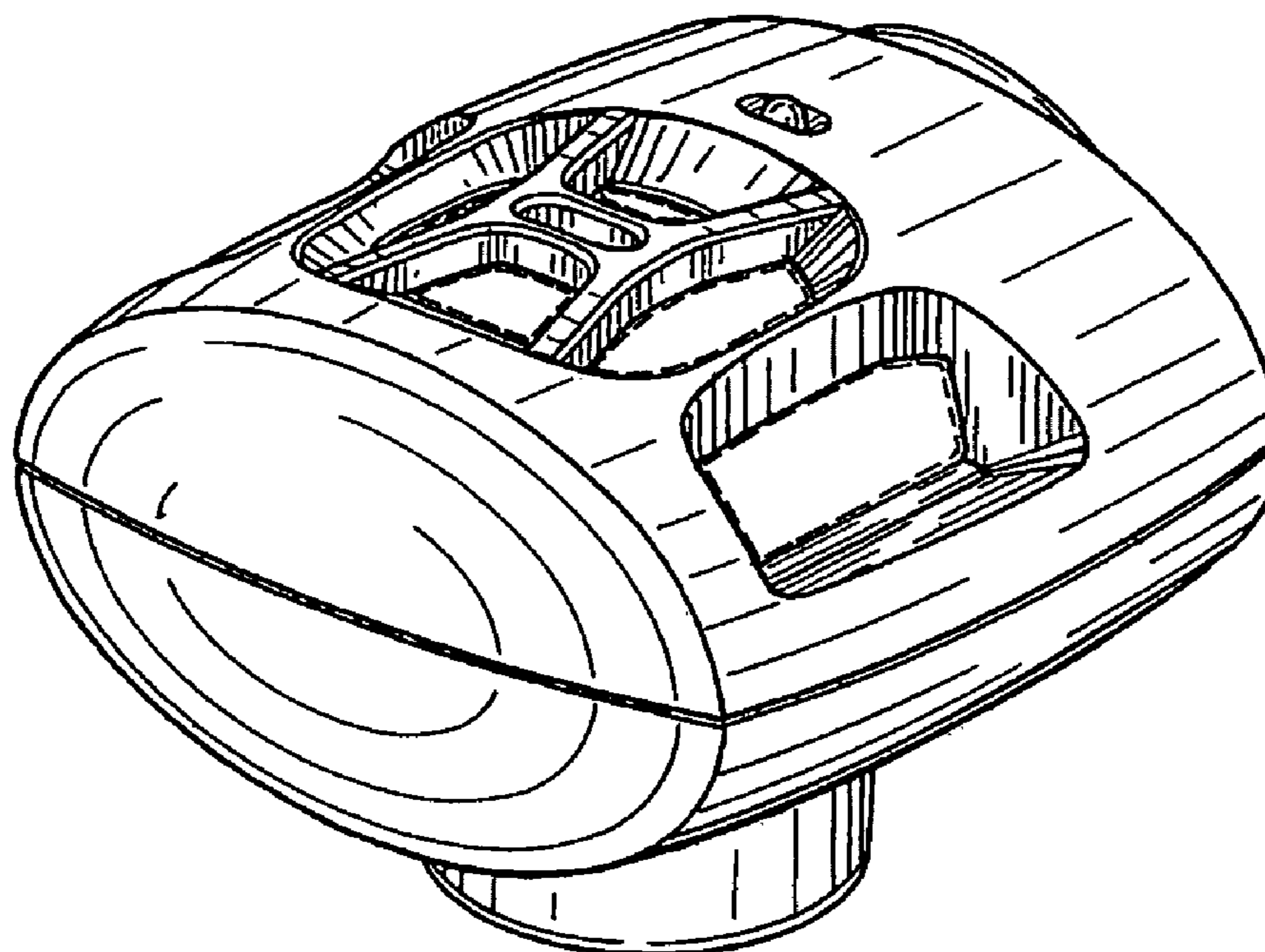
FIG. 5 is a top plan view thereof;

FIG. 6 is a rear elevational view thereof; and,

FIG. 7 is a bottom plan view thereof.

The broken line showings in the drawings are for illustrative purposes only and form no part of the claimed design.

1 Claim, 4 Drawing Sheets



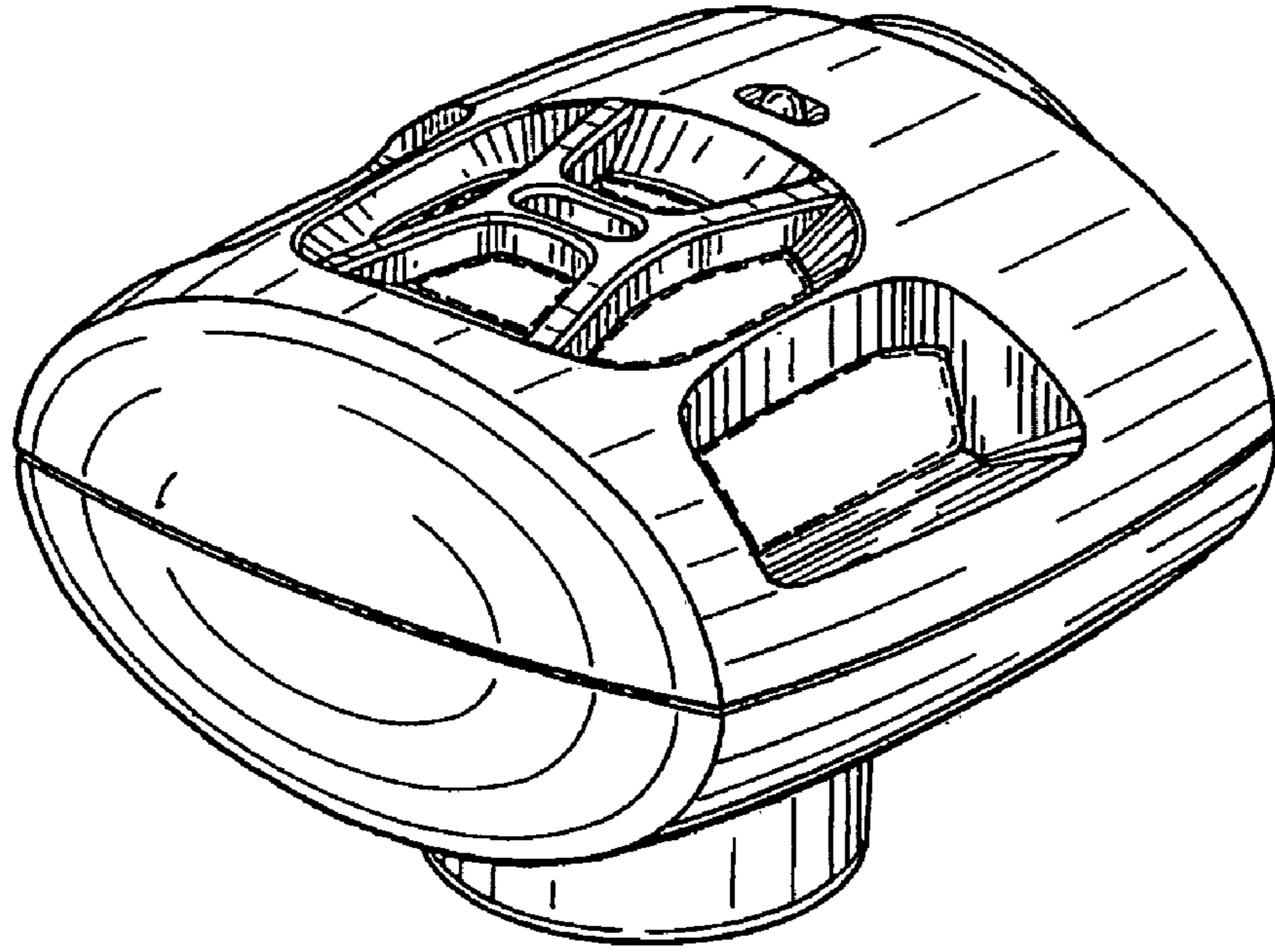


Fig. 1

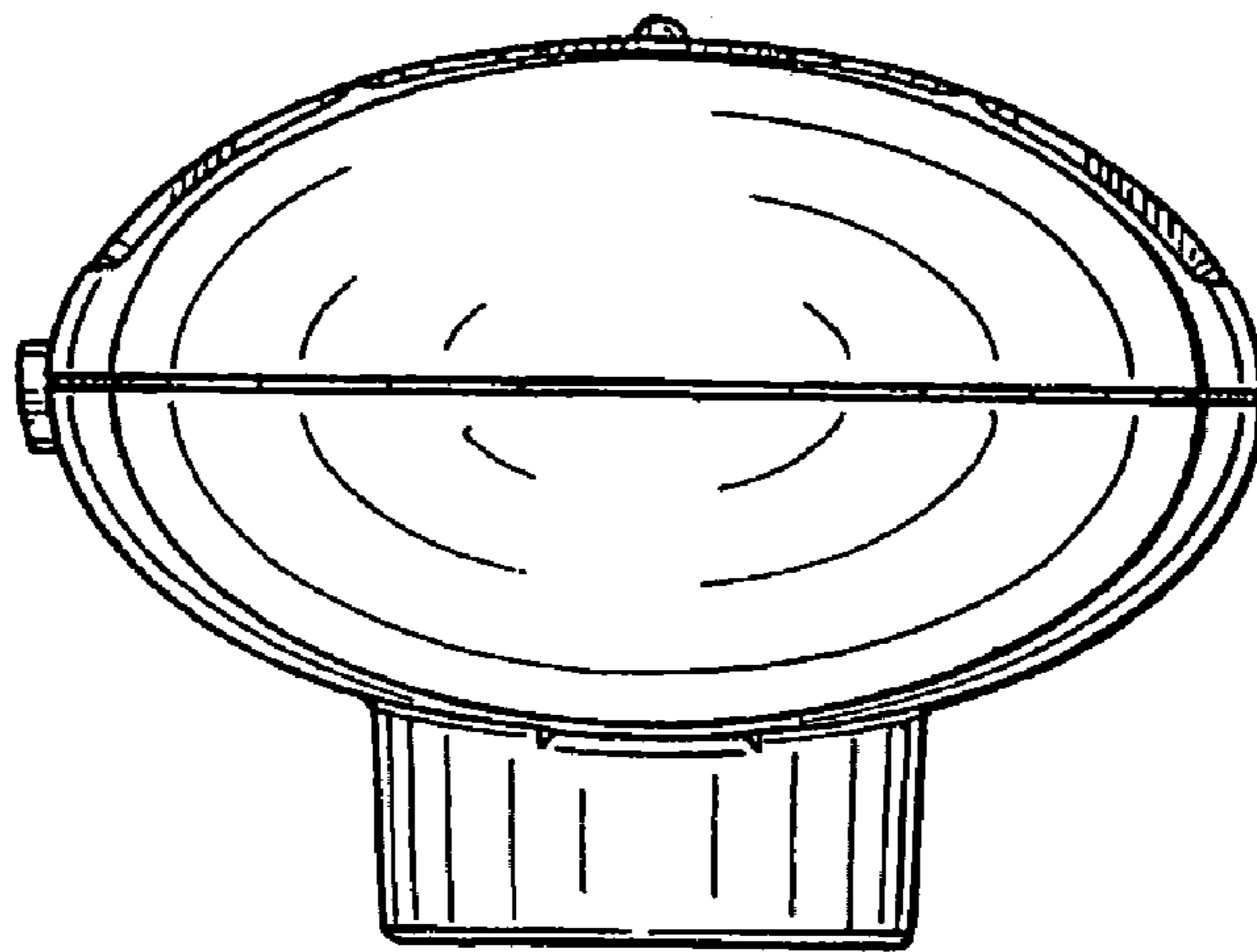


Fig. 2

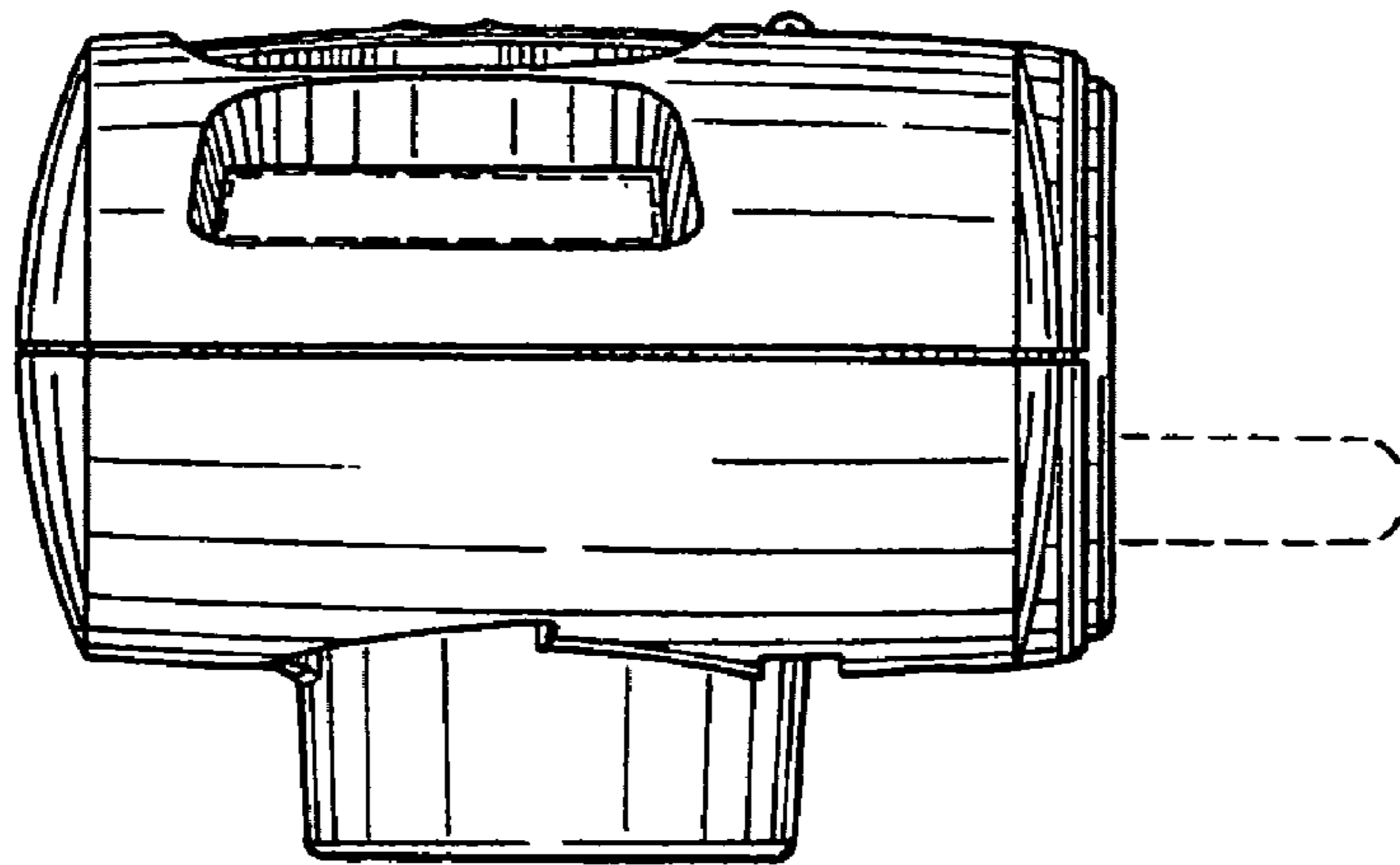


Fig. 3

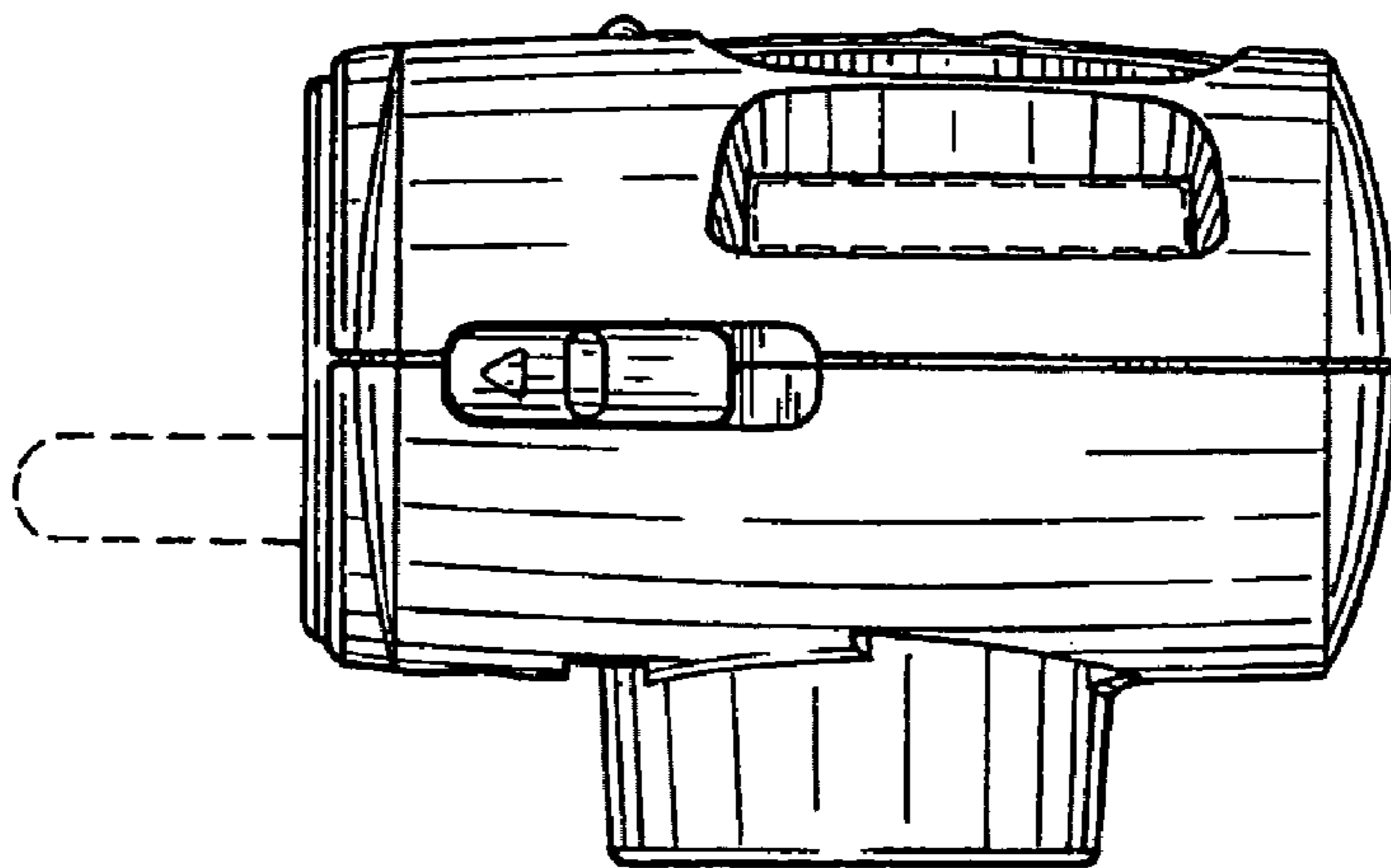


Fig. 4

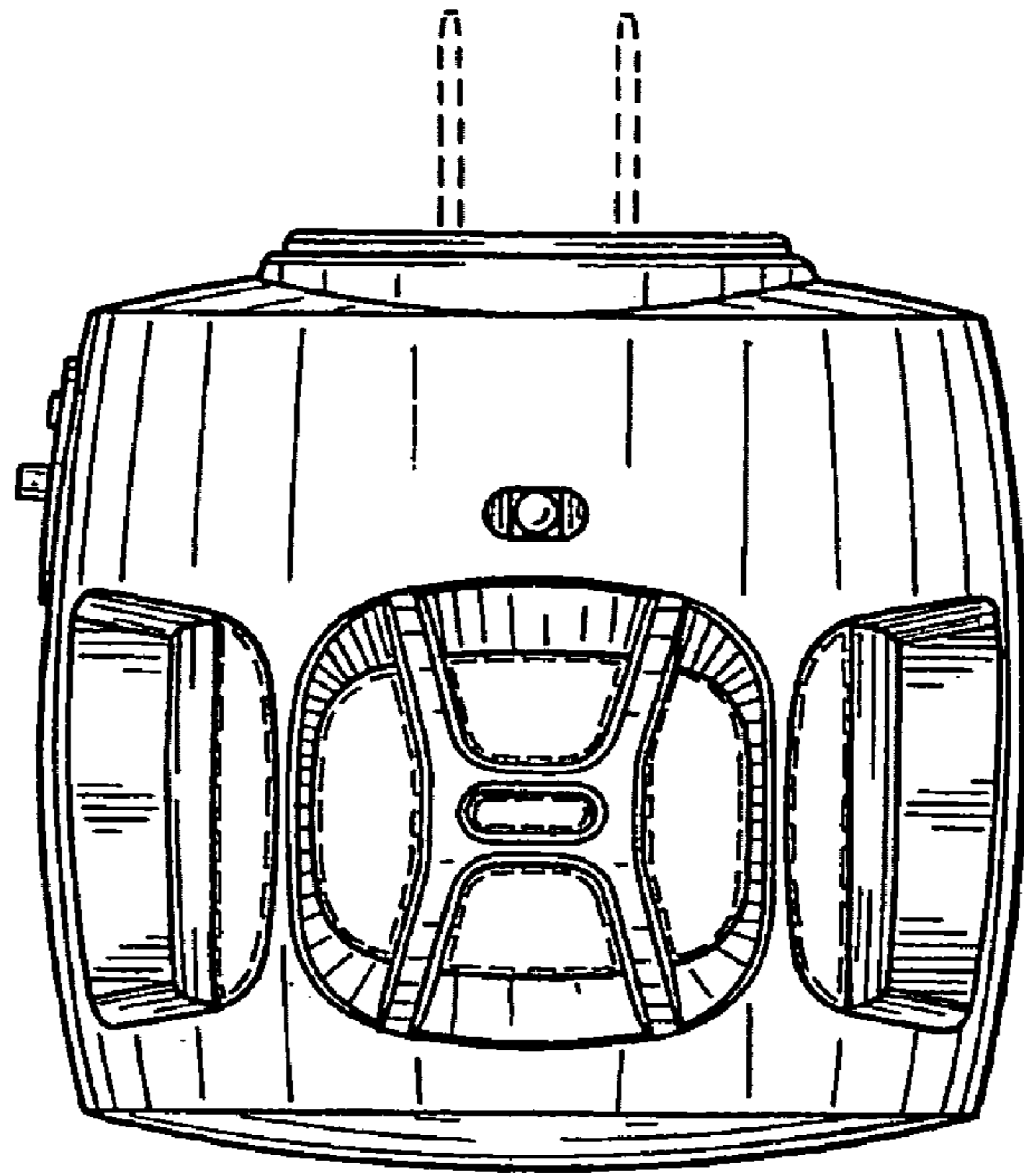


Fig. 5

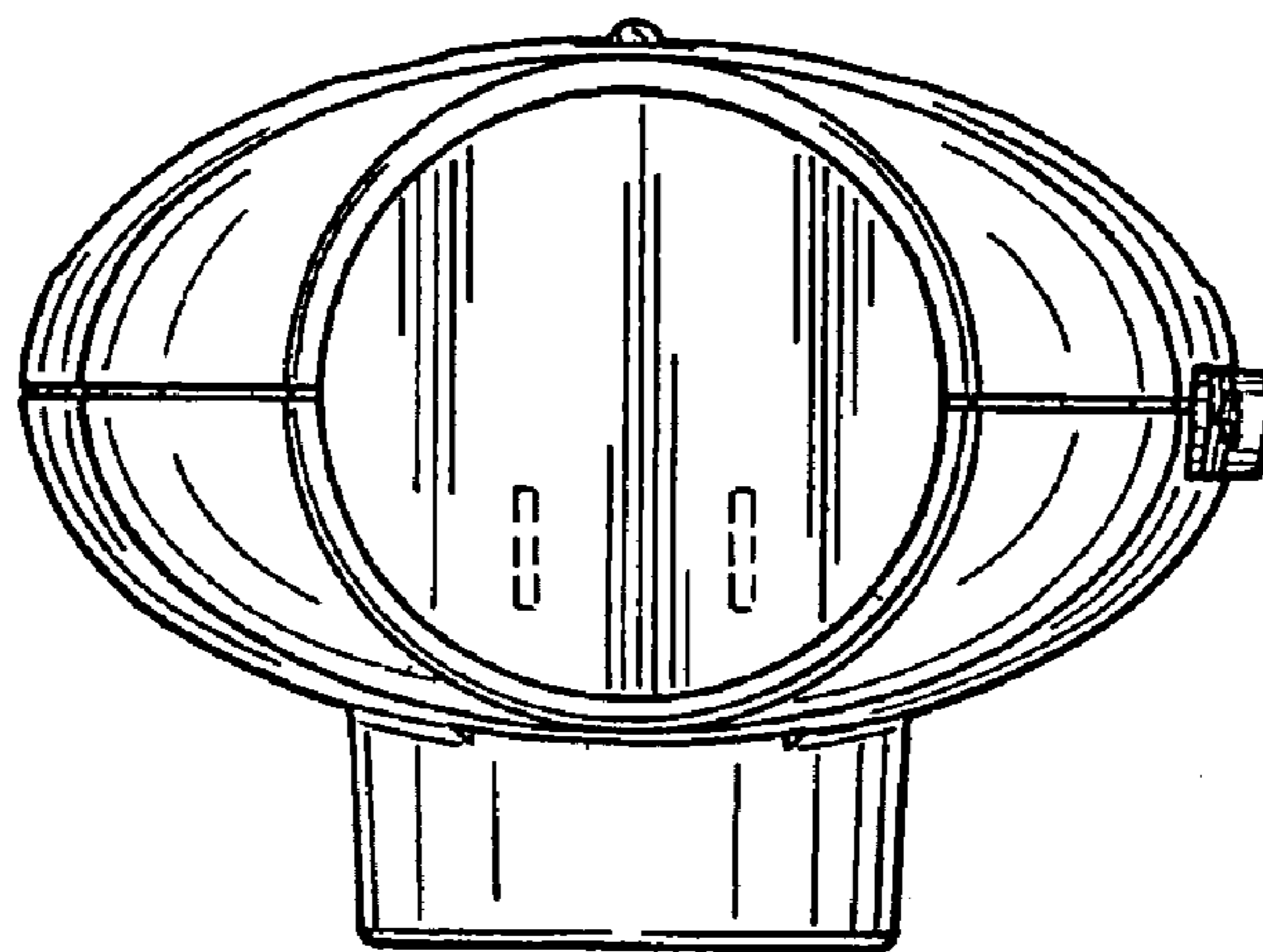


Fig. 6

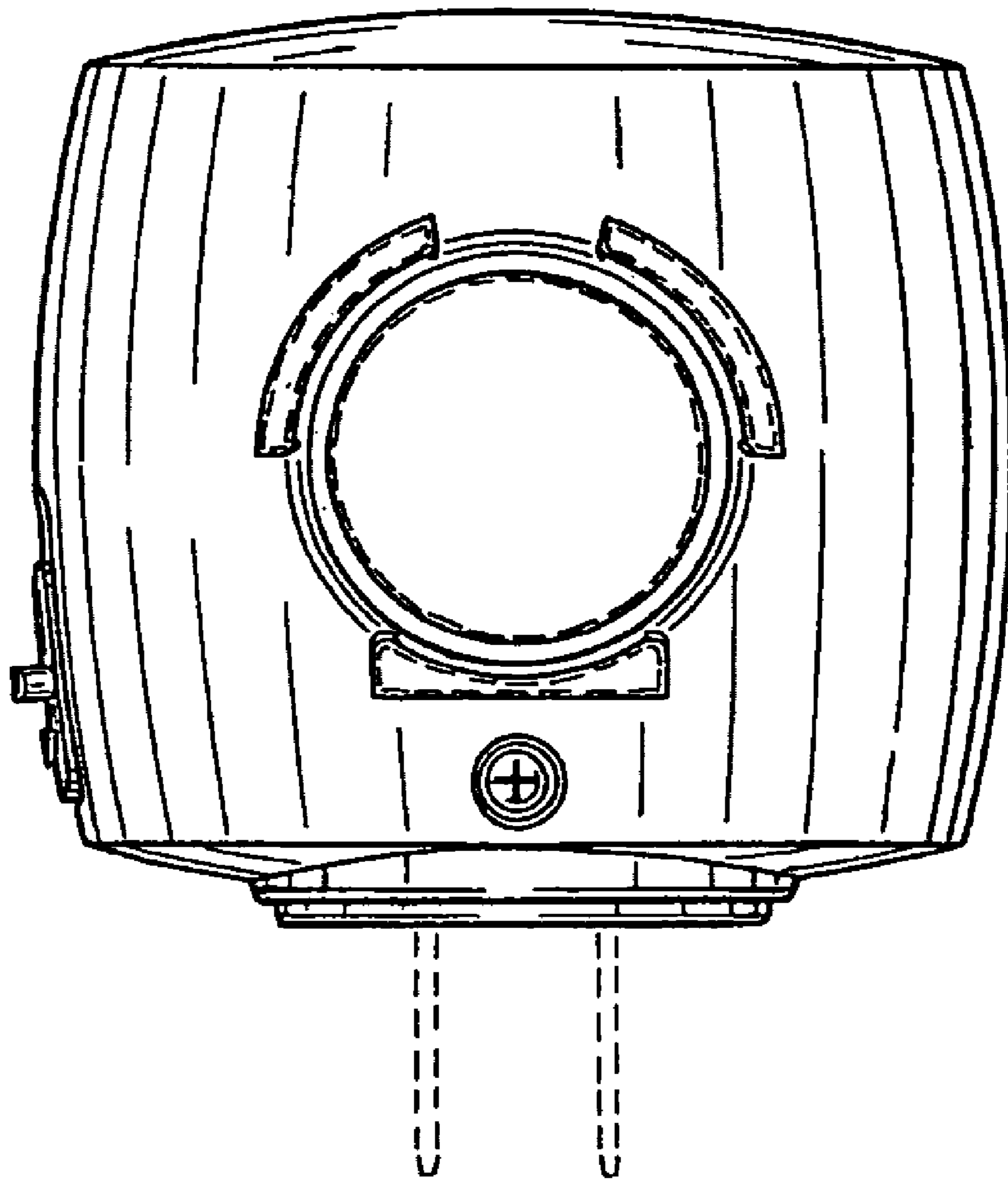


Fig. 7