



US00D551326S

(12) **United States Design Patent** (10) **Patent No.:** **US D551,326 S**
Zhu (45) **Date of Patent:** **** Sep. 18, 2007**

(54) **SPOUT**

(74) *Attorney, Agent, or Firm*—Leong C. Lei

(75) Inventor: **Fang Zhu**, Taichung (TW)

(57) **CLAIM**

(73) Assignee: **Globe Union Industrial Corp.**,
Taichung (TW)

The ornamental design for a spout, as shown and described.

(**) Term: **14 Years**

DESCRIPTION

(21) Appl. No.: **29/246,804**

FIG. 1 is a perspective view of a spout showing my new design;

(22) Filed: **May 11, 2006**

FIG. 2 is a front elevational view thereof;

(51) **LOC (8) Cl.** **23-01**

FIG. 3 is a left side elevational view thereof;

(52) **U.S. Cl.** **D23/257; D23/255**

FIG. 4 is a right side elevational view thereof;

(58) **Field of Classification Search** **D23/238-257;**
4/675-678; 137/801

FIG. 5 is a top plan view thereof;

See application file for complete search history.

FIG. 6 is a bottom plan view thereof; and,

(56) **References Cited**

FIG. 7 is another perspective view thereof, with a pressure balance mixing valve and shower head engaged.

U.S. PATENT DOCUMENTS

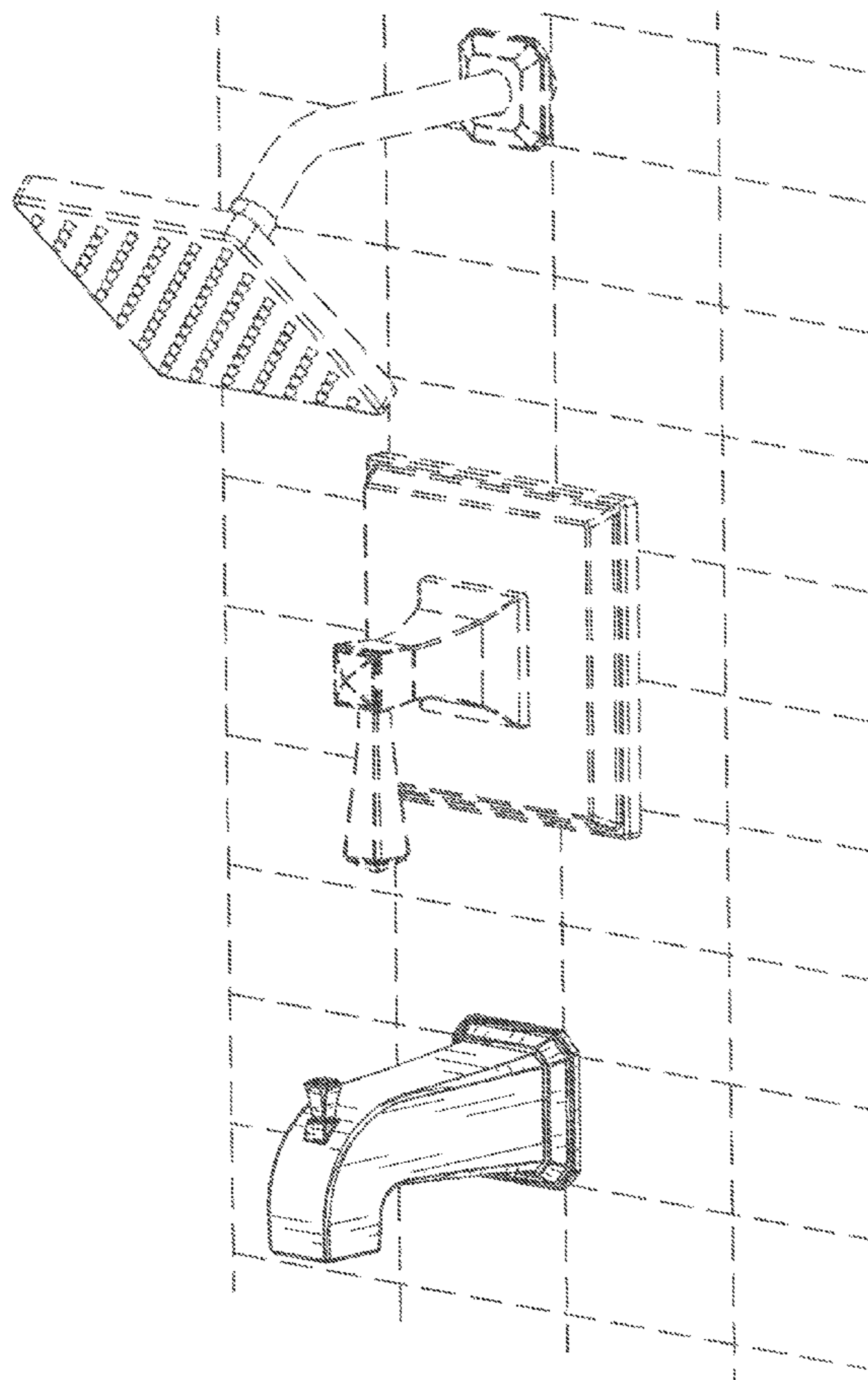
The dotted line showing of the spout discharge, the wall, the pressure balance mixing valve and the shower head is for illustrative purposes only and forms no part of the claimed design.

D508,978 S * 8/2005 Otero D23/255

* cited by examiner

Primary Examiner—Louis S. Zarfaz
Assistant Examiner—Gregory Andoll

1 Claim, 6 Drawing Sheets



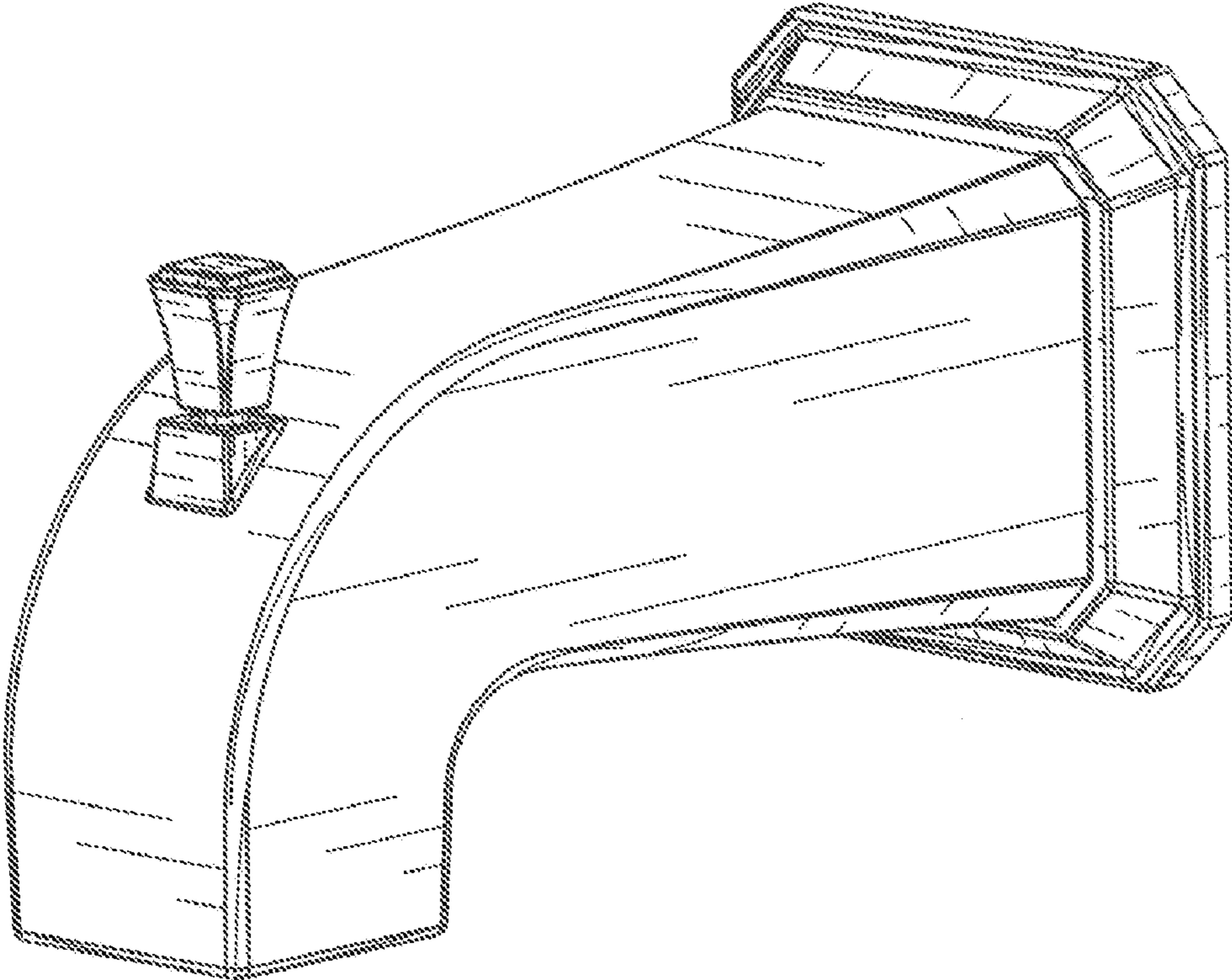


FIG. 1

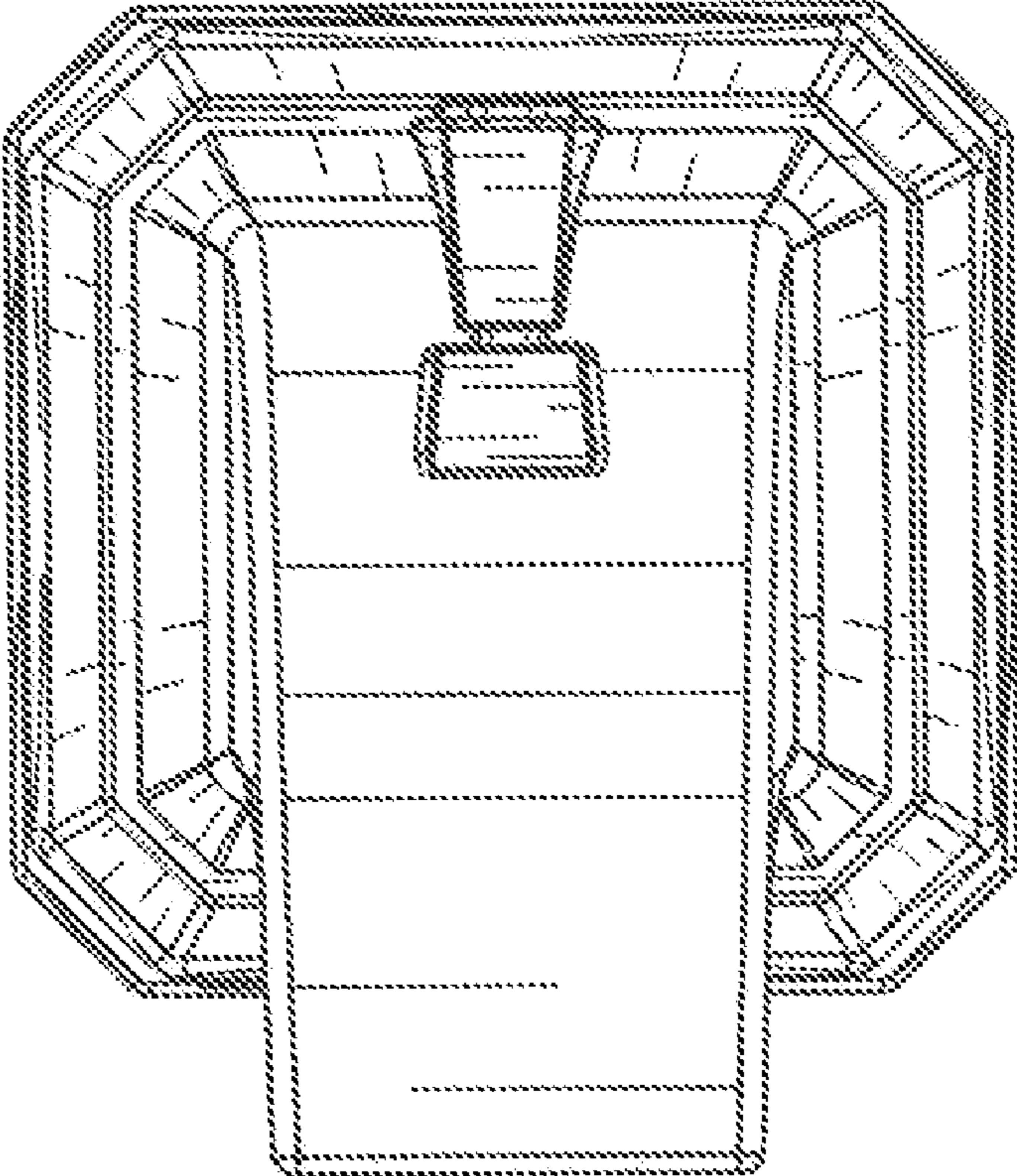


FIG. 2

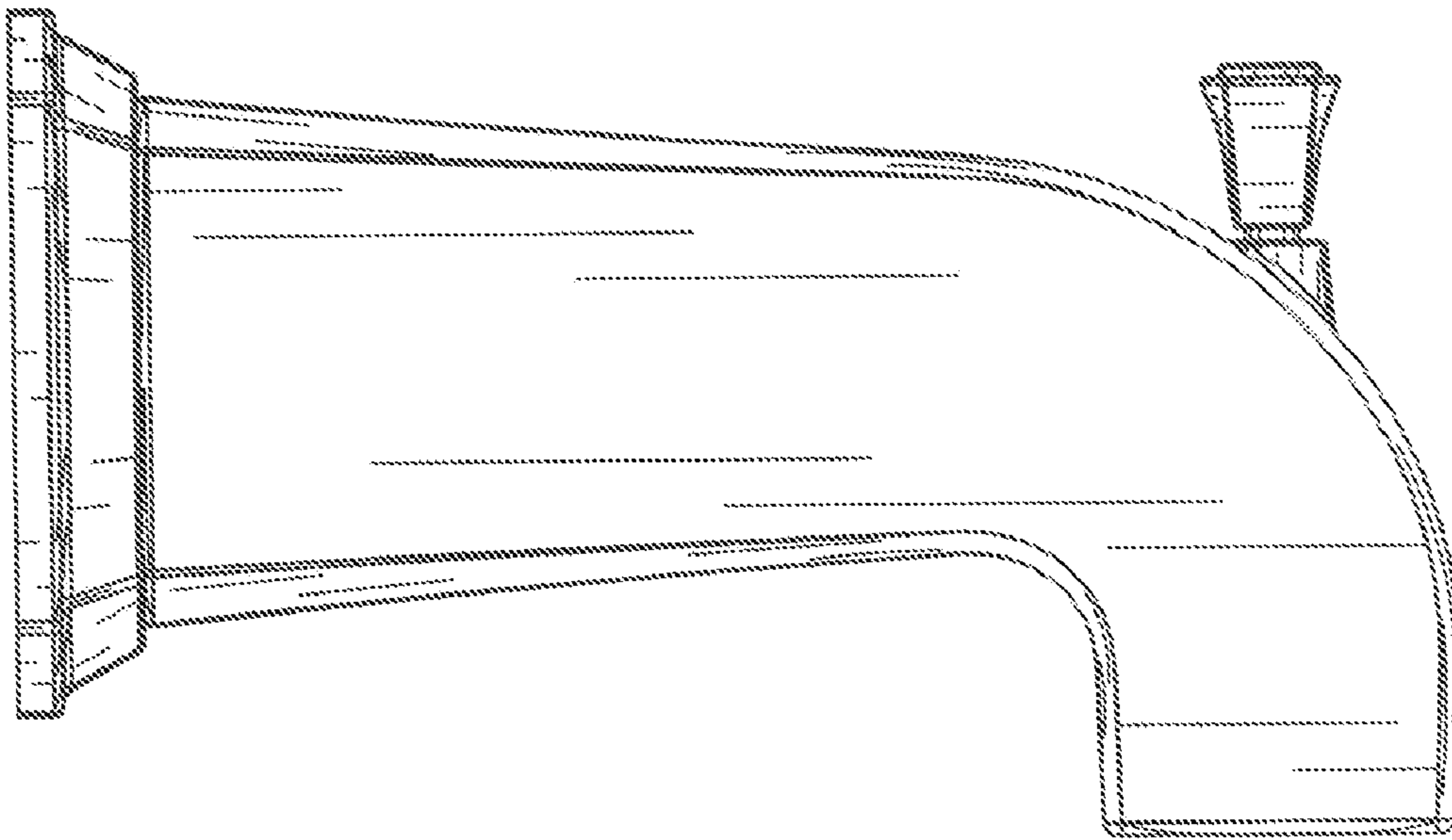


FIG. 3

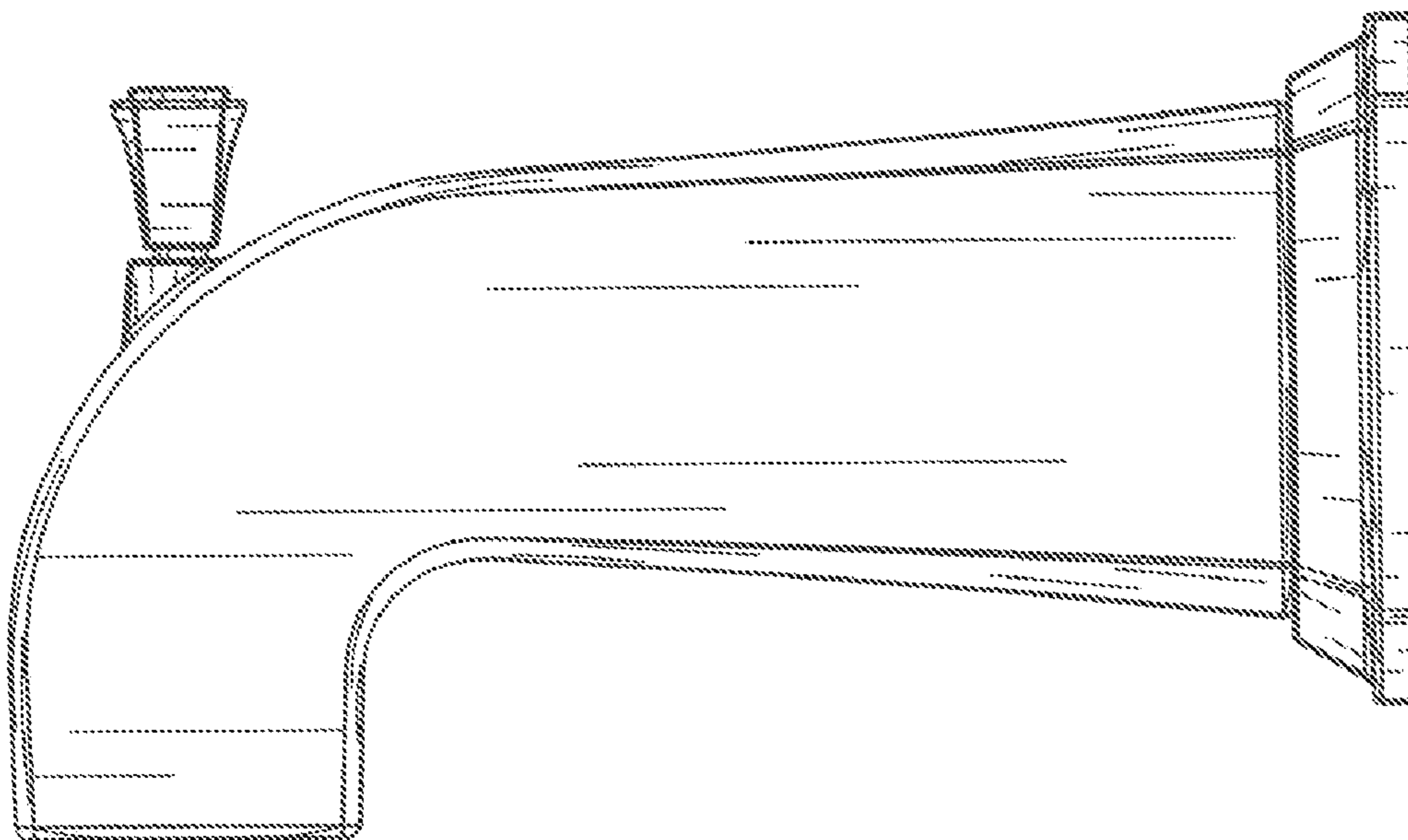


FIG. 4

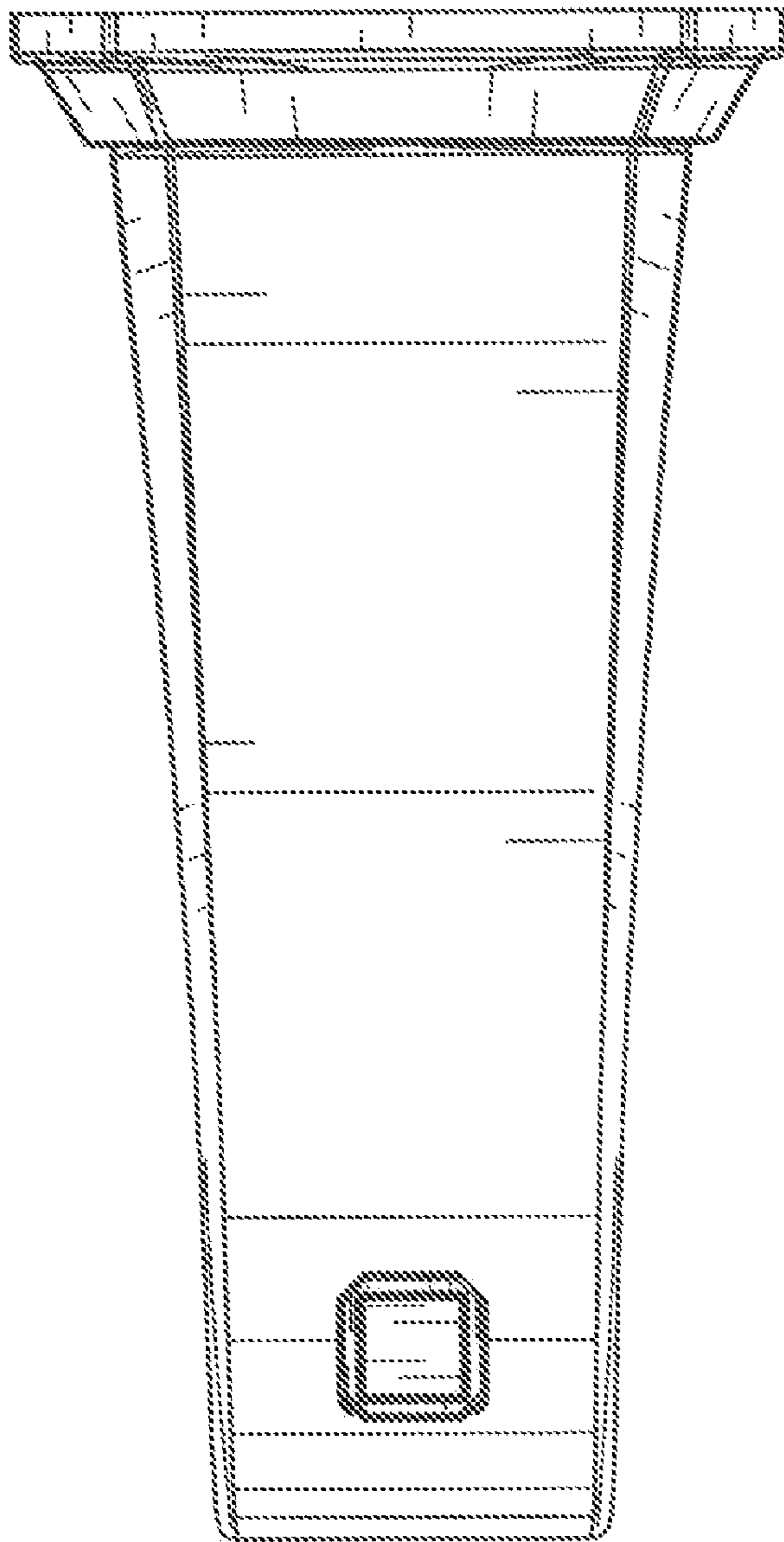


FIG. 5

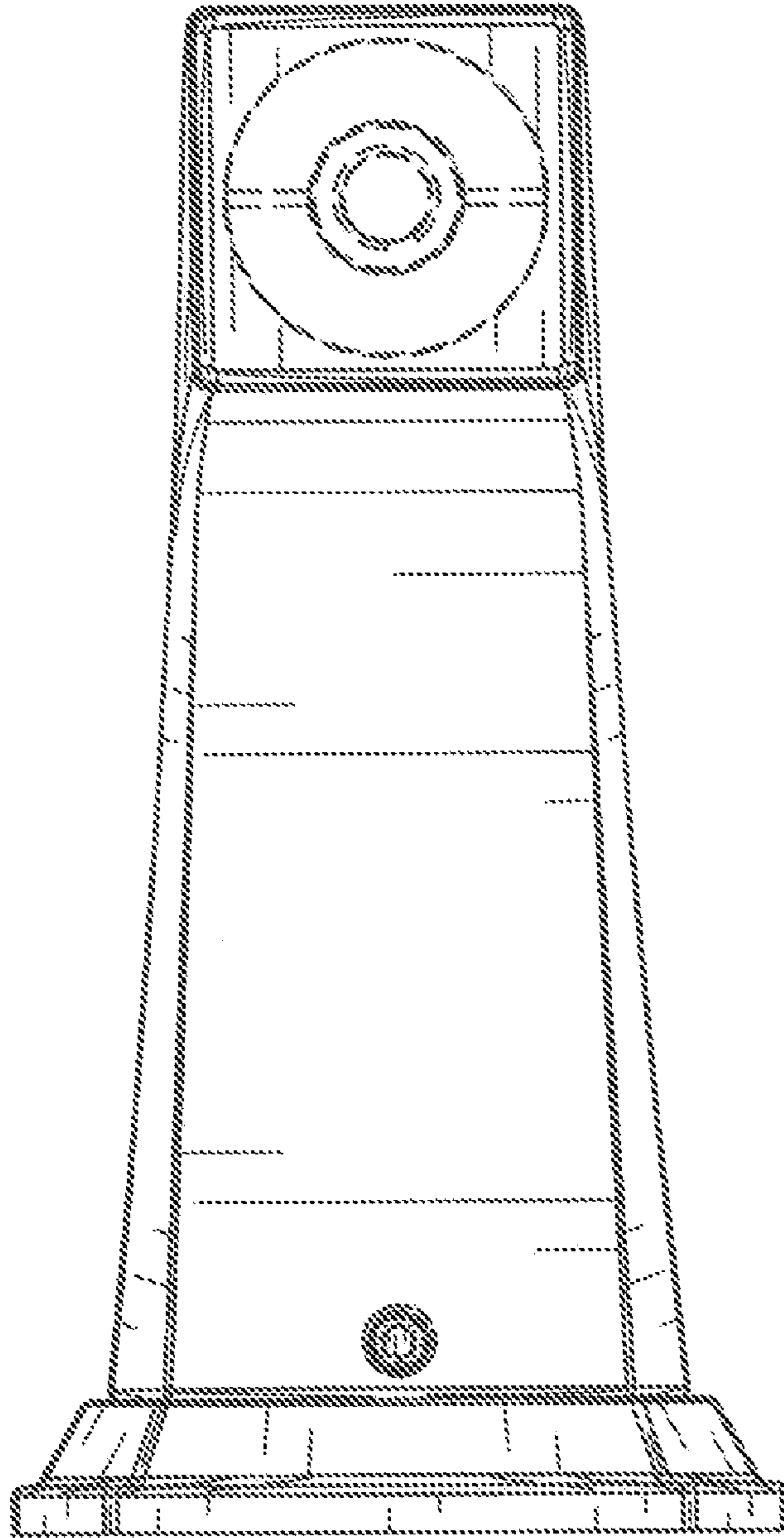


FIG. 6

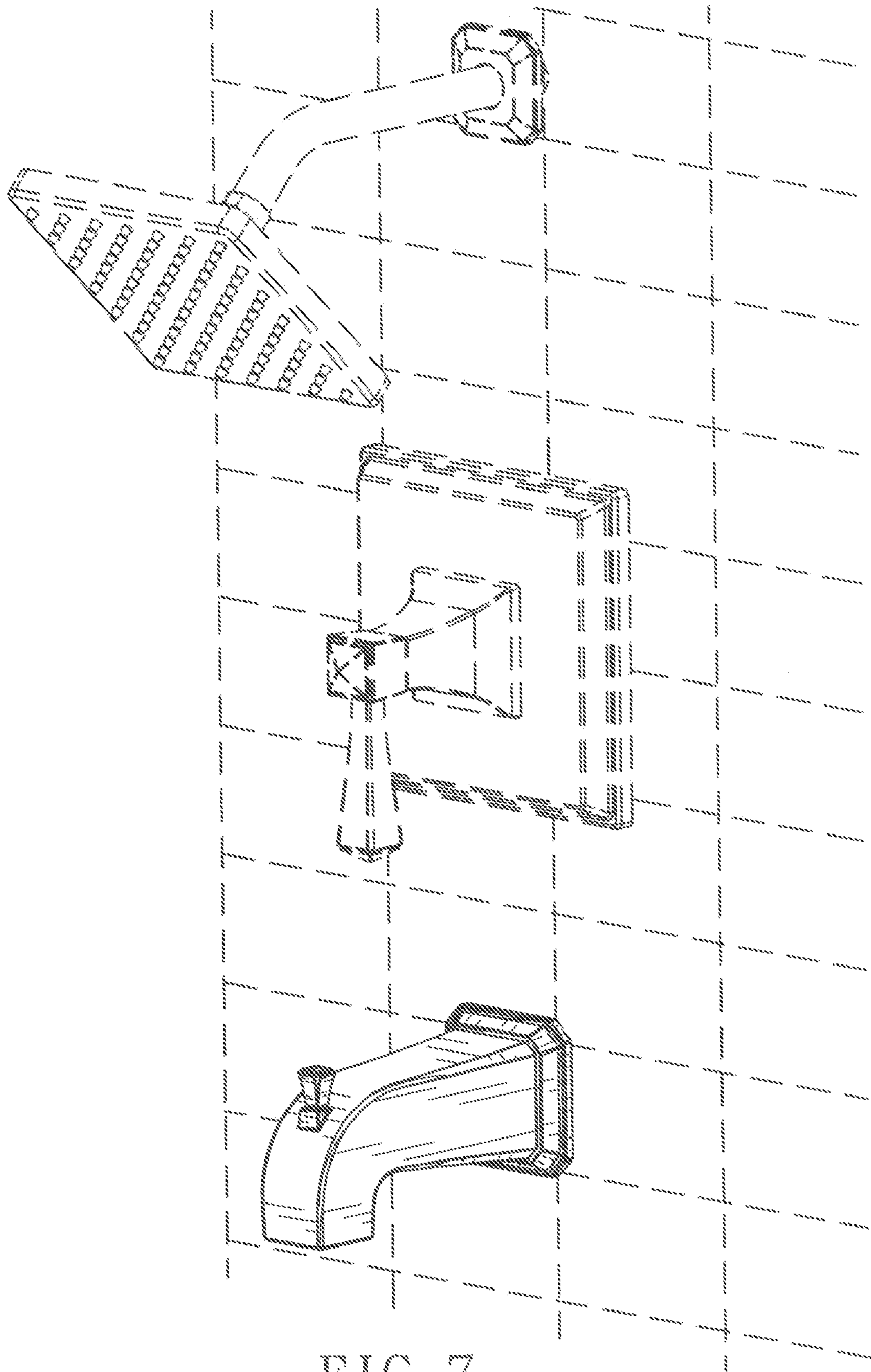


FIG. 7