



US00D551322S

(12) **United States Design Patent**
Shinmura et al.

(10) **Patent No.:** **US D551,322 S**
(45) **Date of Patent:** **** Sep. 18, 2007**

(54) **ACTUATOR FOR AUTOMOTIVE AIR
CONDITIONER**

FOREIGN PATENT DOCUMENTS

(75) Inventors: **Naohisa Shinmura**, Iwata (JP);
Tomonobu Hyodo, Hamamatsu (JP);
Hiroto Inoue, Okazaki (JP)

JP 2004-159475 6/2004
JP 2004-166320 6/2004
JP 2004-169910 6/2004

(73) Assignee: **ASMO Co., Ltd.** (JP)

* cited by examiner

(**) Term: **14 Years**

Primary Examiner—Ian Simmons

Assistant Examiner—Maueice Stevens

(21) Appl. No.: **29/243,028**

(74) *Attorney, Agent, or Firm*—Nixon & Vanderhye PC

(22) Filed: **Nov. 18, 2005**

(57) **CLAIM**

The ornamental design for an actuator for automotive air conditioner, as shown and described.

(30) **Foreign Application Priority Data**

DESCRIPTION

May 25, 2005 (JP) 2005-015077

(51) **LOC (8) Cl.** **23-01**

FIG. 1 is a rear perspective view of an actuator for automotive air conditioner showing our new design;

(52) **U.S. Cl.** **D23/233**

FIG. 2 is a front view thereof;

(58) **Field of Classification Search** D23/233-237;
318/446, 468, 599, 652; 165/202-204, 42-43;
62/262, 298; 200/19 R, 24, 37 R, 501; D8/21,
D8/22, 25, 27, 29

FIG. 3 is a rear view thereof;

See application file for complete search history.

FIG. 4 is a top plan view thereof;

FIG. 5 is a bottom plan view thereof;

(56) **References Cited**

U.S. PATENT DOCUMENTS

D295,280 S * 4/1988 Walser D23/249
4,877,926 A * 10/1989 Yamase 200/19.01
4,878,001 A * 10/1989 Hagikura et al. 318/446
D479,576 S * 9/2003 Wright D23/233
7,038,422 B2 * 5/2006 Nakajima 318/652

FIG. 6 is a right side elevational view thereof;

FIG. 7 is a left side elevational view thereof; and,

FIG. 8 is a cross-sectional view taken along line 8—8 of FIG. 2.

The broken lines are shown for illustrative purposes only and form no part of the claimed design.

1 Claim, 6 Drawing Sheets

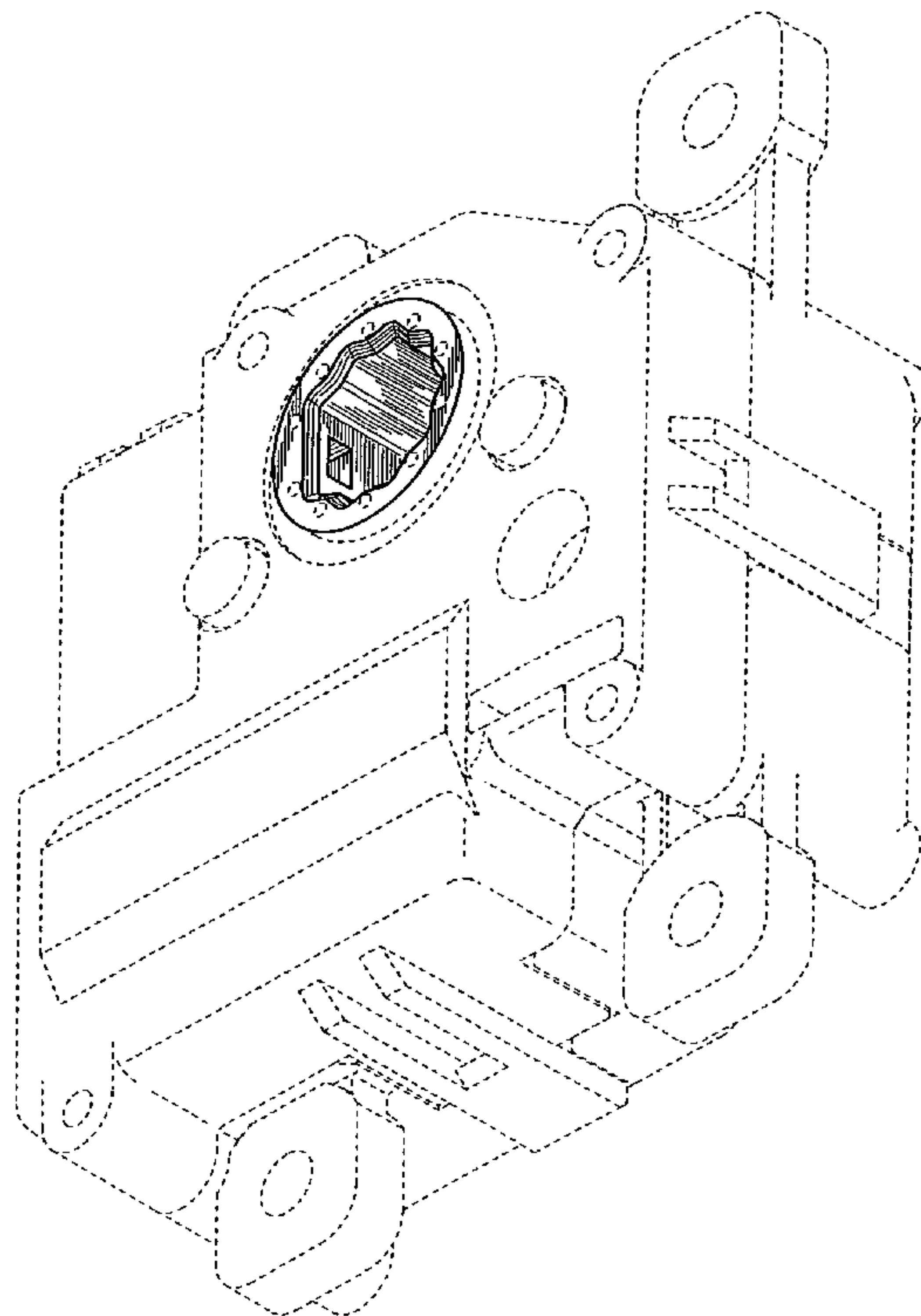


FIG. 1

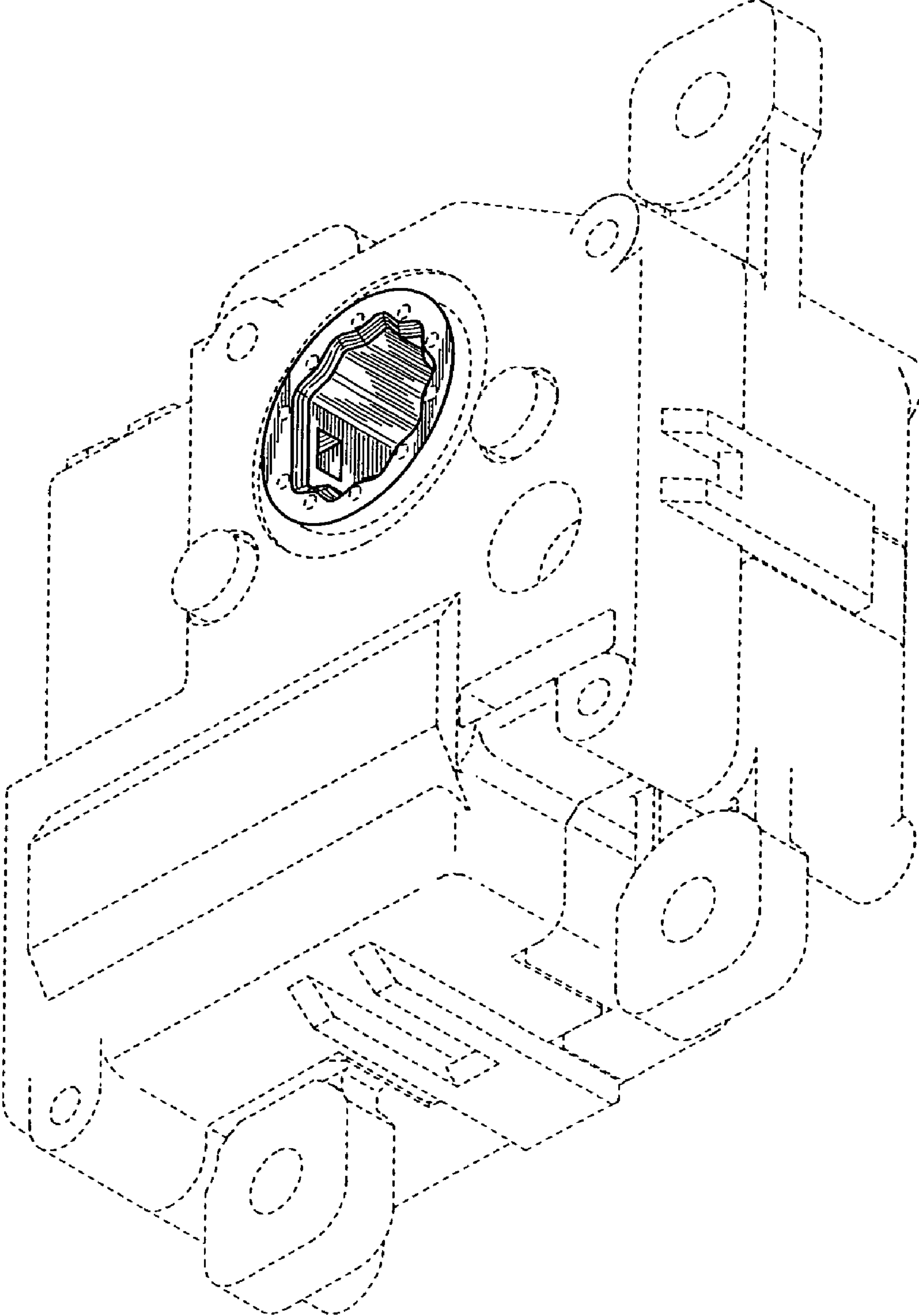


FIG. 2

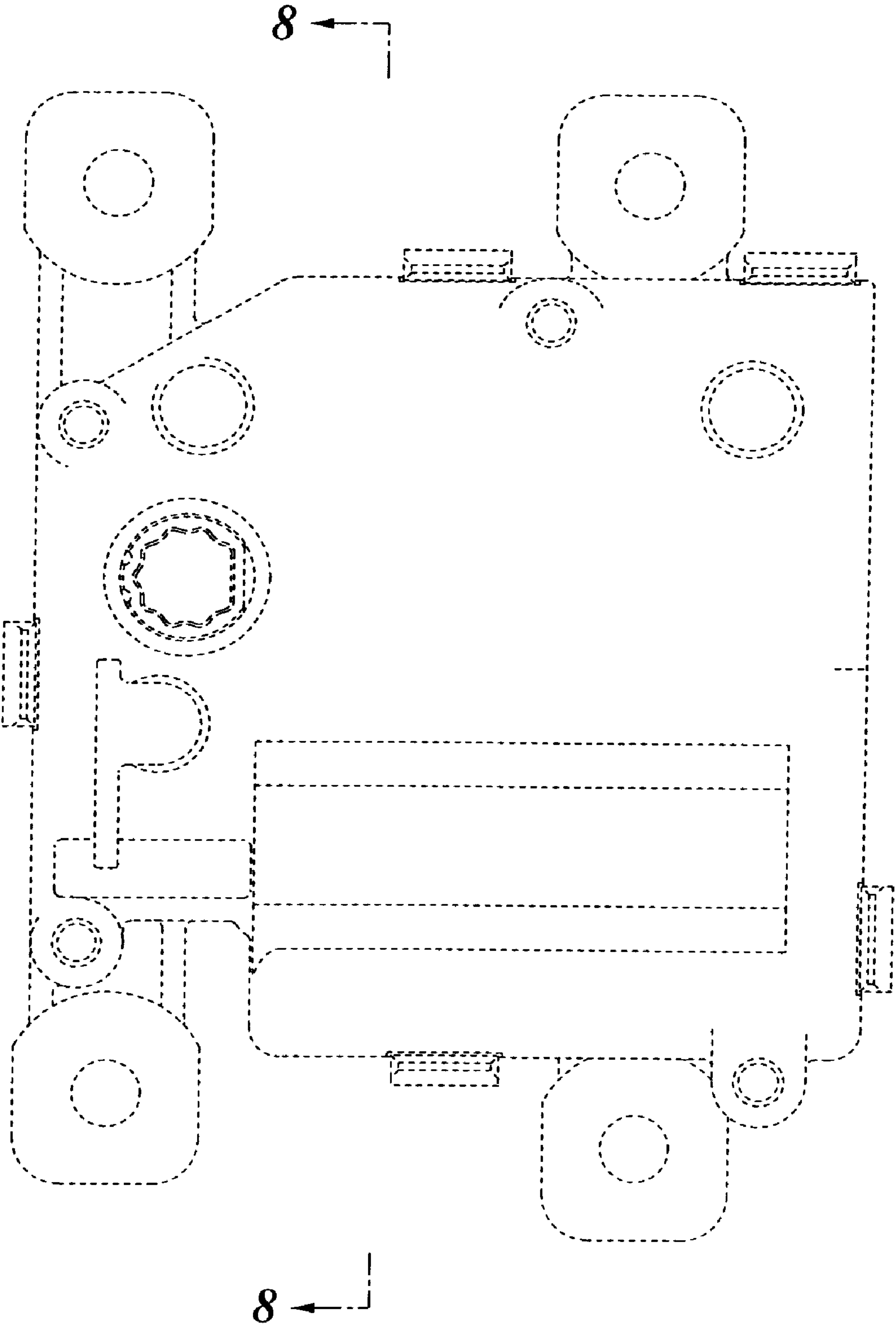


FIG. 3

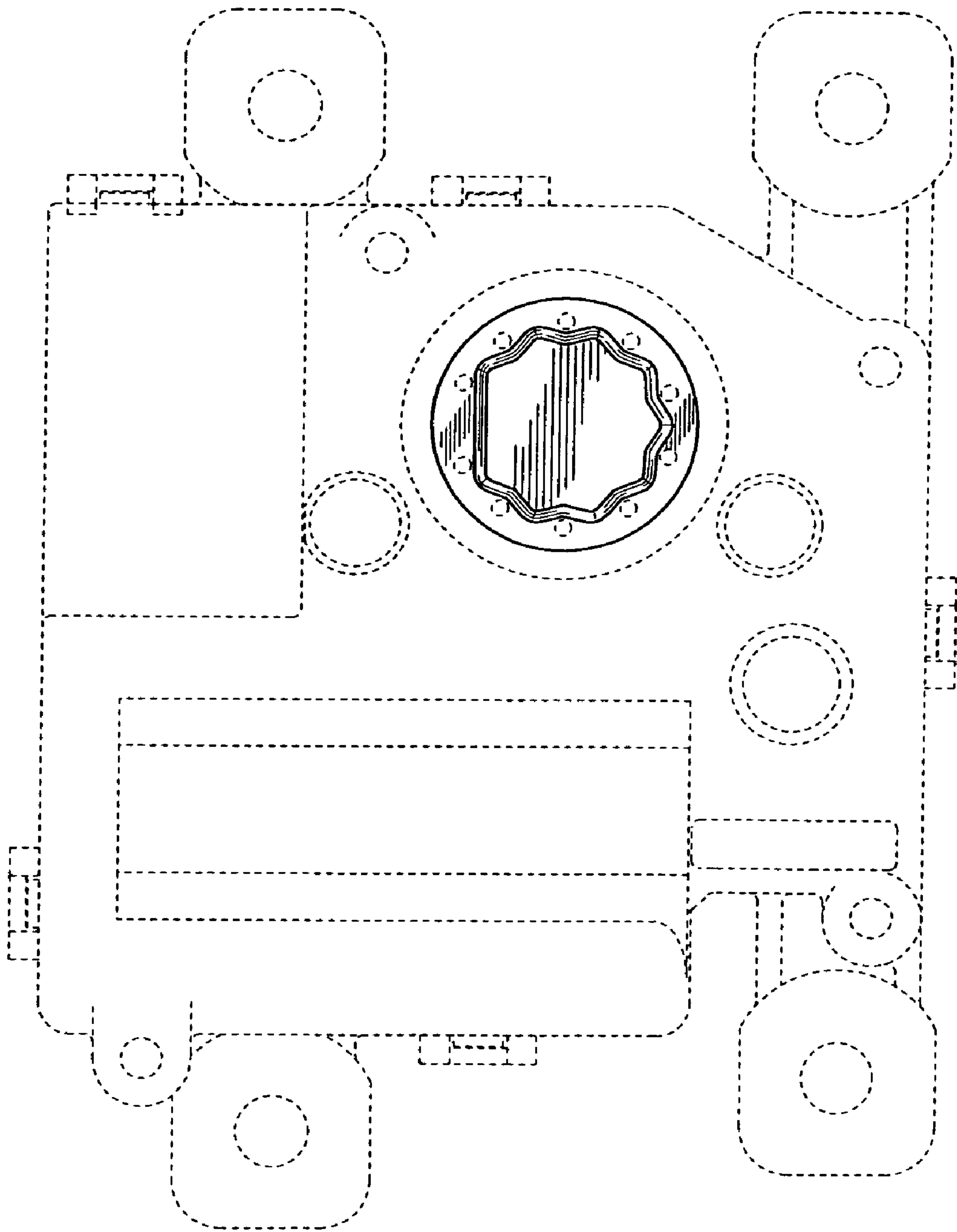


FIG. 4

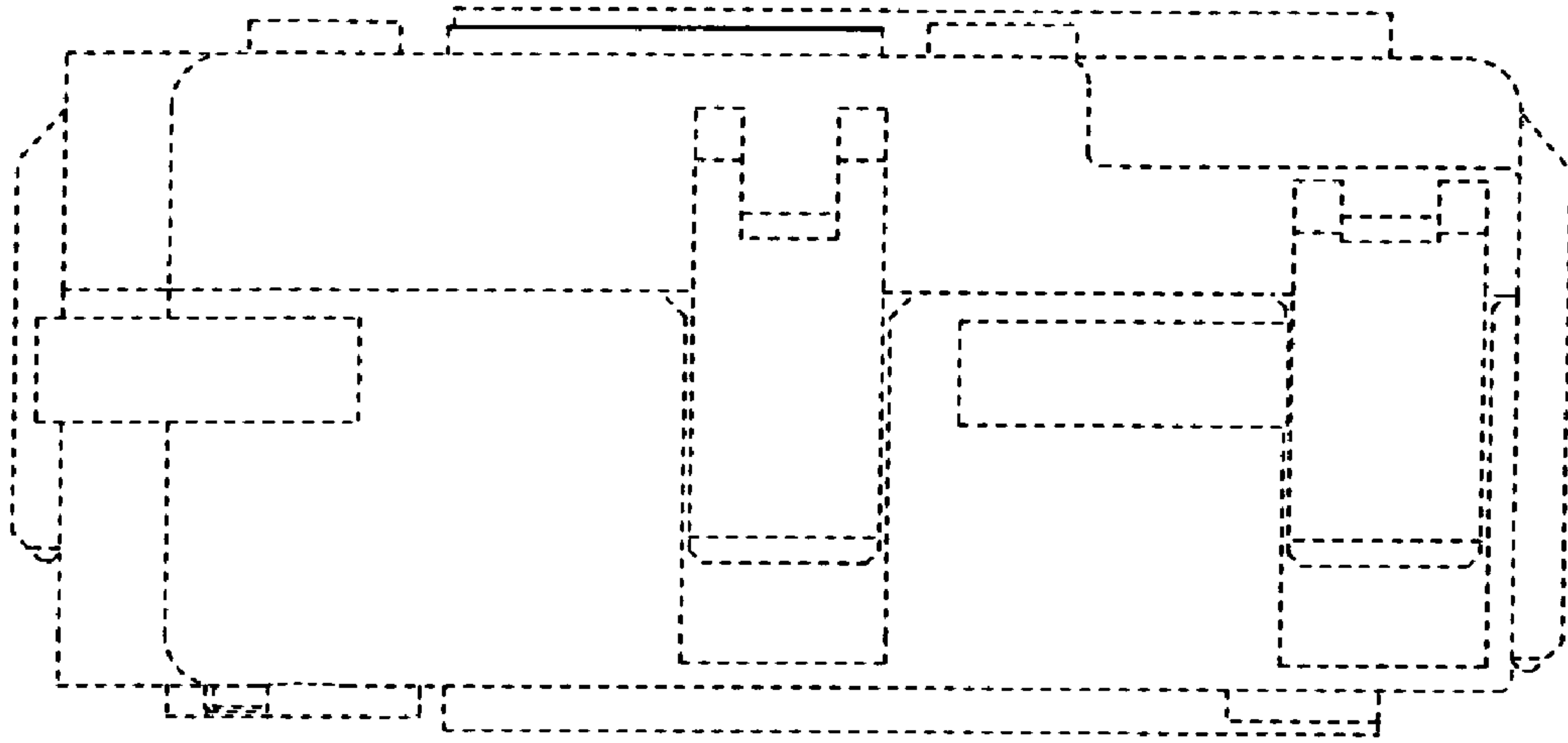


FIG. 5

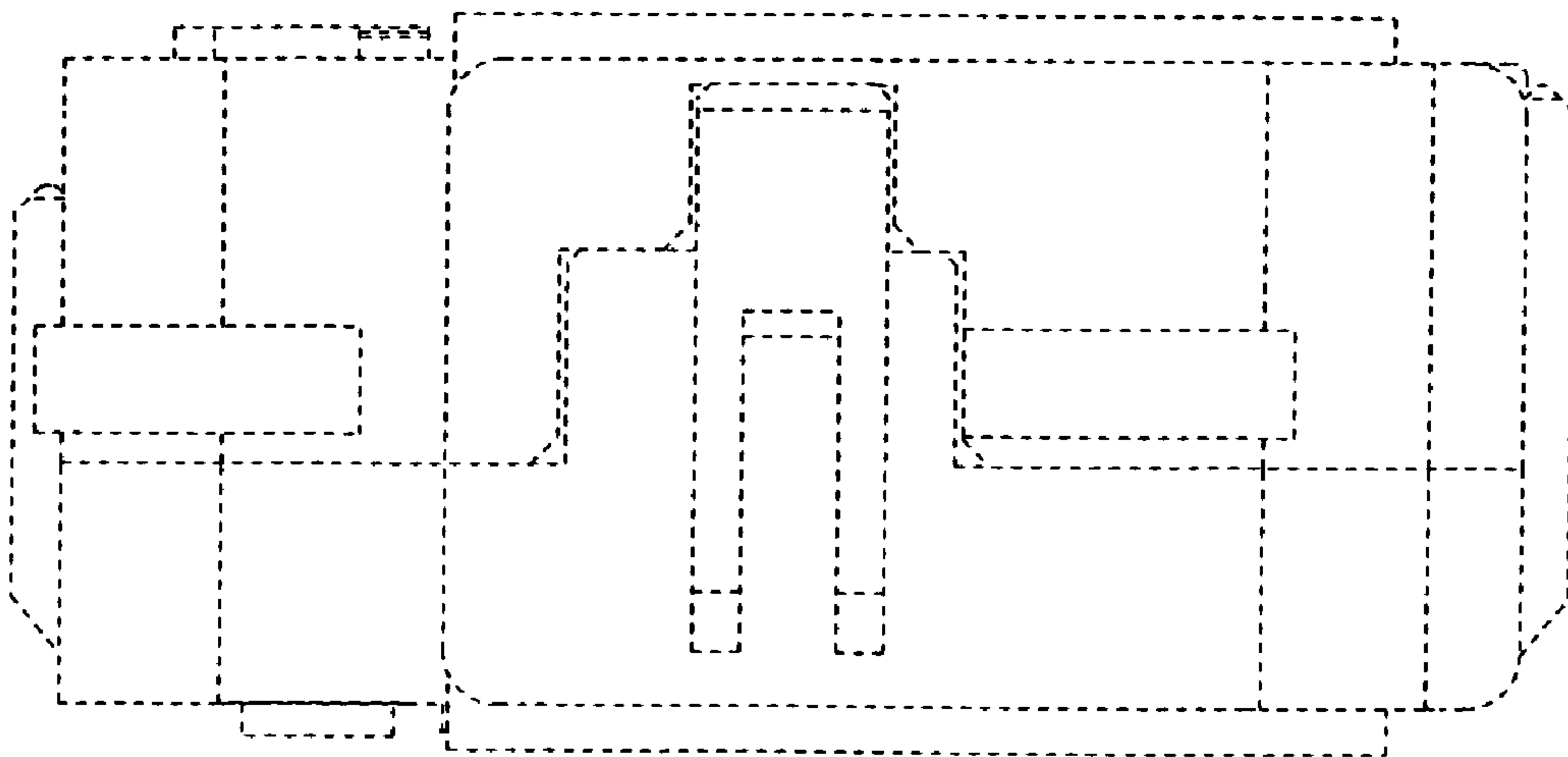


FIG. 6

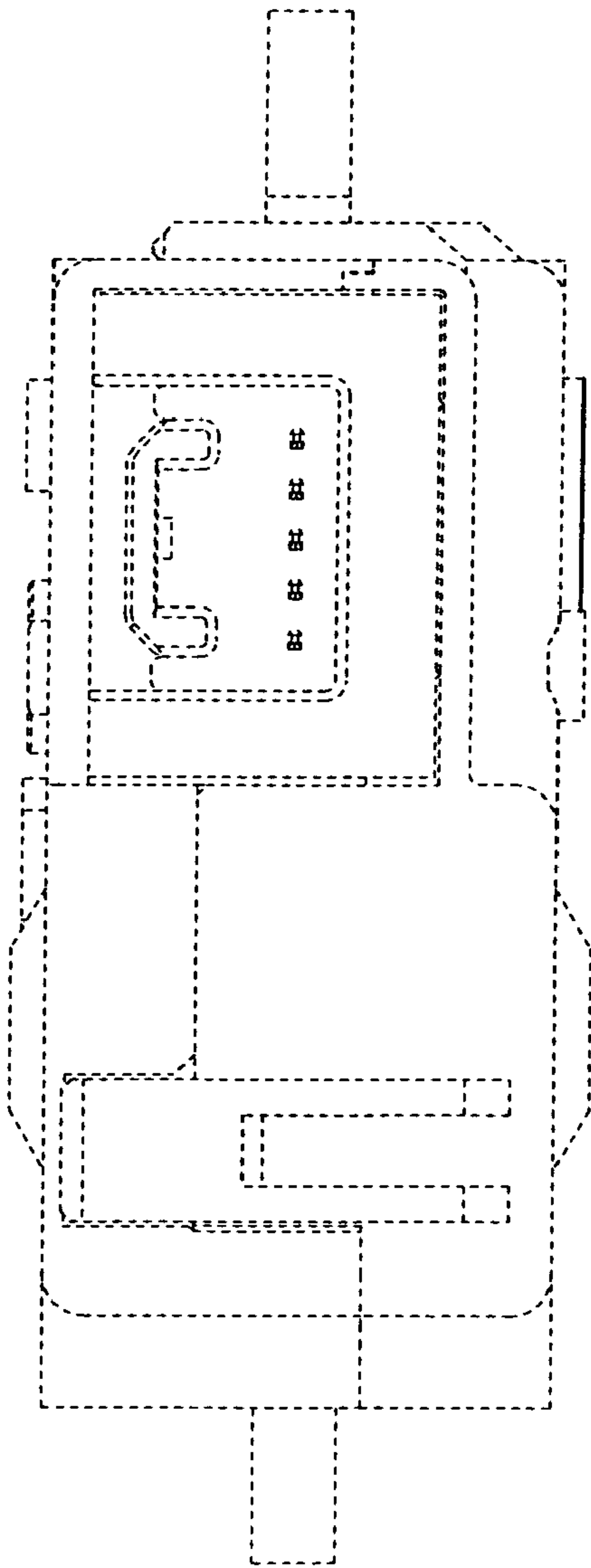


FIG. 7

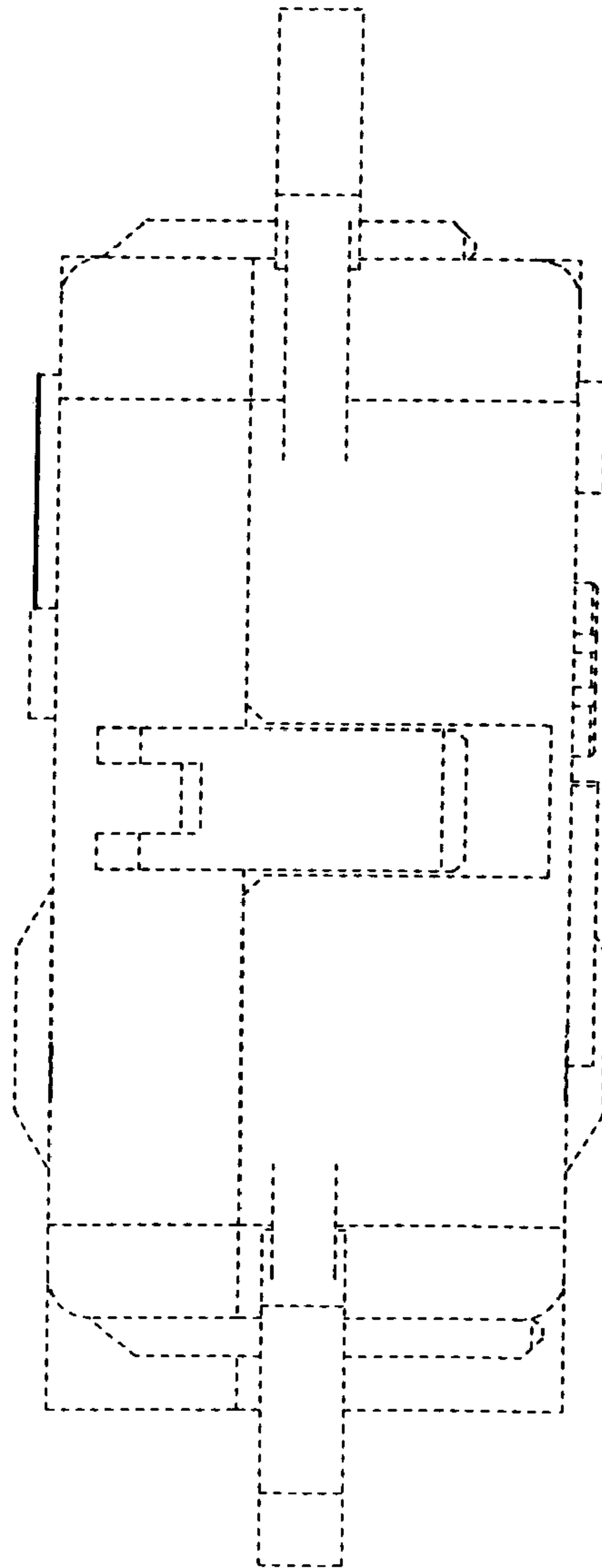


FIG. 8

