



US00D551319S

(12) **United States Design Patent**
Khalil et al.

(10) **Patent No.: US D551,319 S**

(45) **Date of Patent: ** Sep. 18, 2007**

(54) **FLUID FILTER**

6,190,546 B1 * 2/2001 Agner 210/167.08

* cited by examiner

(75) Inventors: **Ibrahim Khalil**, Barrington, IL (US);
Kai Lui, Oakbrook Terrace, IL (US); **C. Alan Peet**, Waterman, IL (US)

Primary Examiner—Robin V. Webster

(74) *Attorney, Agent, or Firm*—Baker & Hostetler LLP

(73) Assignee: **SPX Corporation**, Charlotte, NC (US)

(57) **CLAIM**

(**) Term: **14 Years**

The ornamental design for a fluid filter, as shown and described.

(21) Appl. No.: **29/257,769**

DESCRIPTION

(22) Filed: **Apr. 11, 2006**

FIG. 1 is a top plan view of the fluid filter, particularly showing the inventive design thereof;

(51) **LOC (8) Cl.** **23-01**

FIG. 2 is a top perspective view thereof;

(52) **U.S. Cl.** **D23/209**

FIG. 3 is a bottom plan view thereof;

(58) **Field of Classification Search** D23/209;

FIG. 4 is a right side elevation view thereof;

210/172.2, 172.3, 416.5, 445

FIG. 5 is a left side elevation view thereof;

See application file for complete search history.

FIG. 6 is a front elevation view thereof;

FIG. 7 is a rear elevation view thereof; and,

FIG. 8 is a bottom perspective view thereof.

The broken line showing is included for the purpose of illustrating and forms no part of the claimed design.

(56) **References Cited**

U.S. PATENT DOCUMENTS

5,494,575 A * 2/1996 Kitajima et al. 210/167.04

5,538,633 A * 7/1996 Kitajima et al. 210/445

5,817,236 A * 10/1998 Chiba 210/344

1 Claim, 8 Drawing Sheets

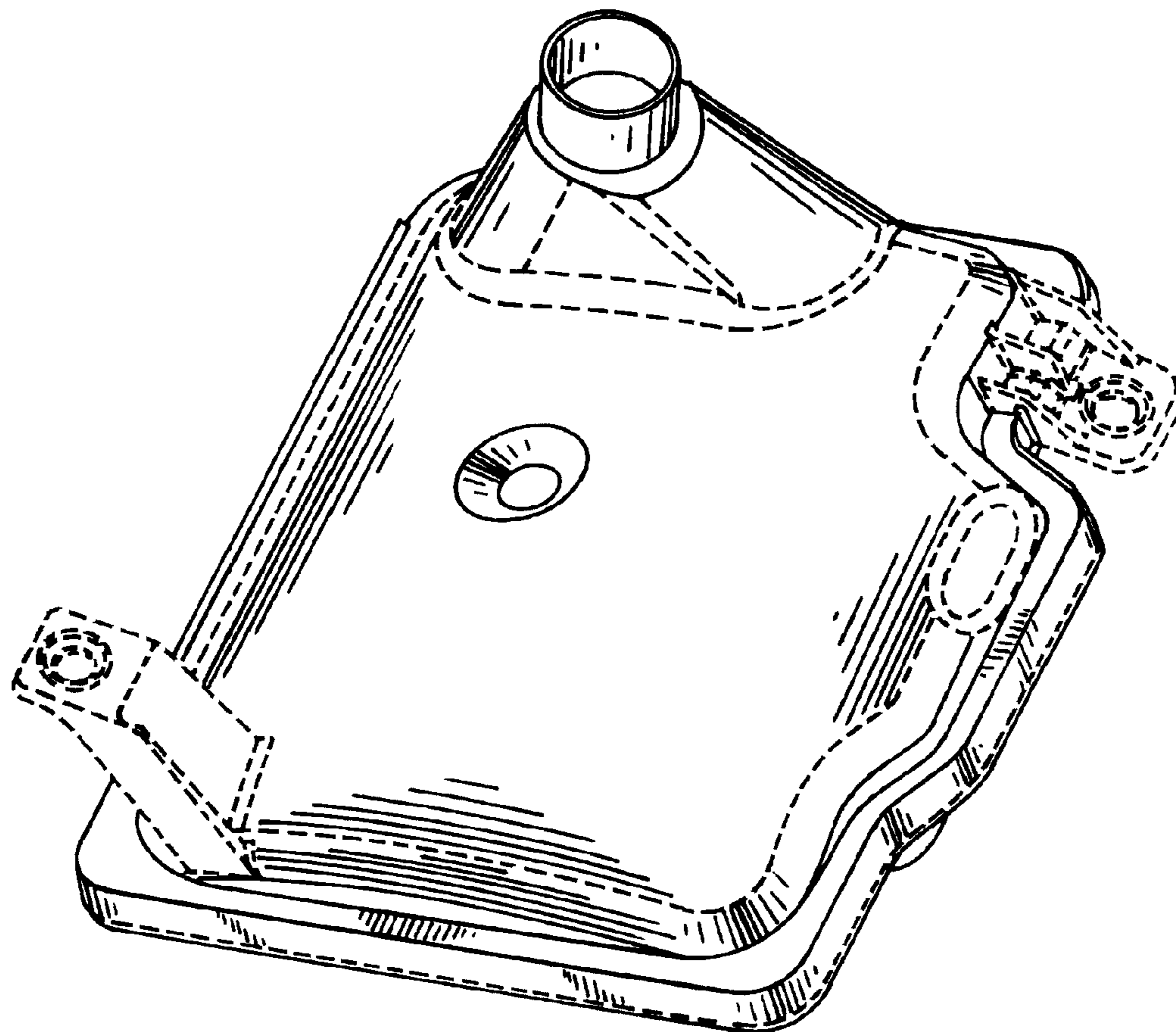


FIG. 1

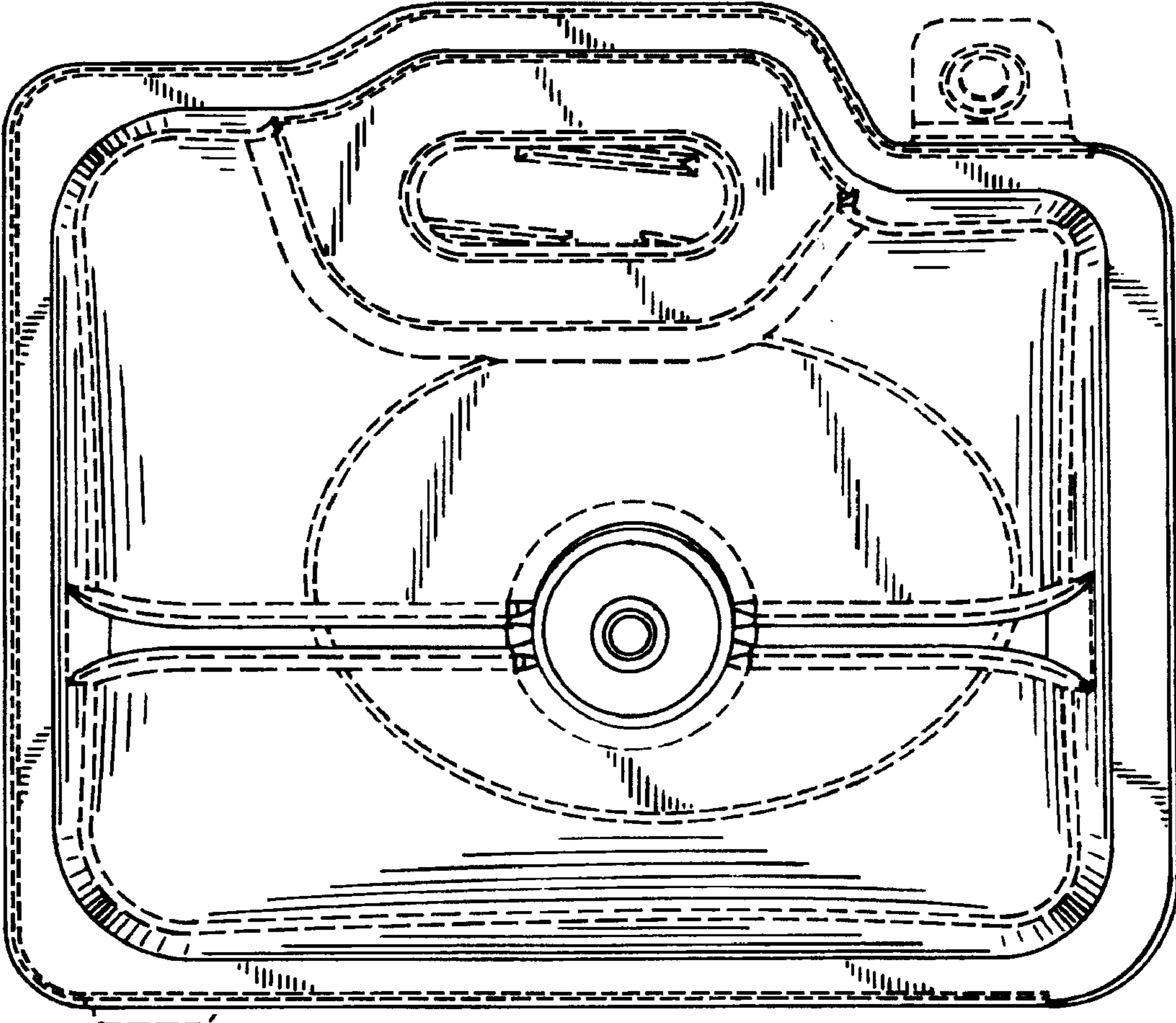


FIG. 2

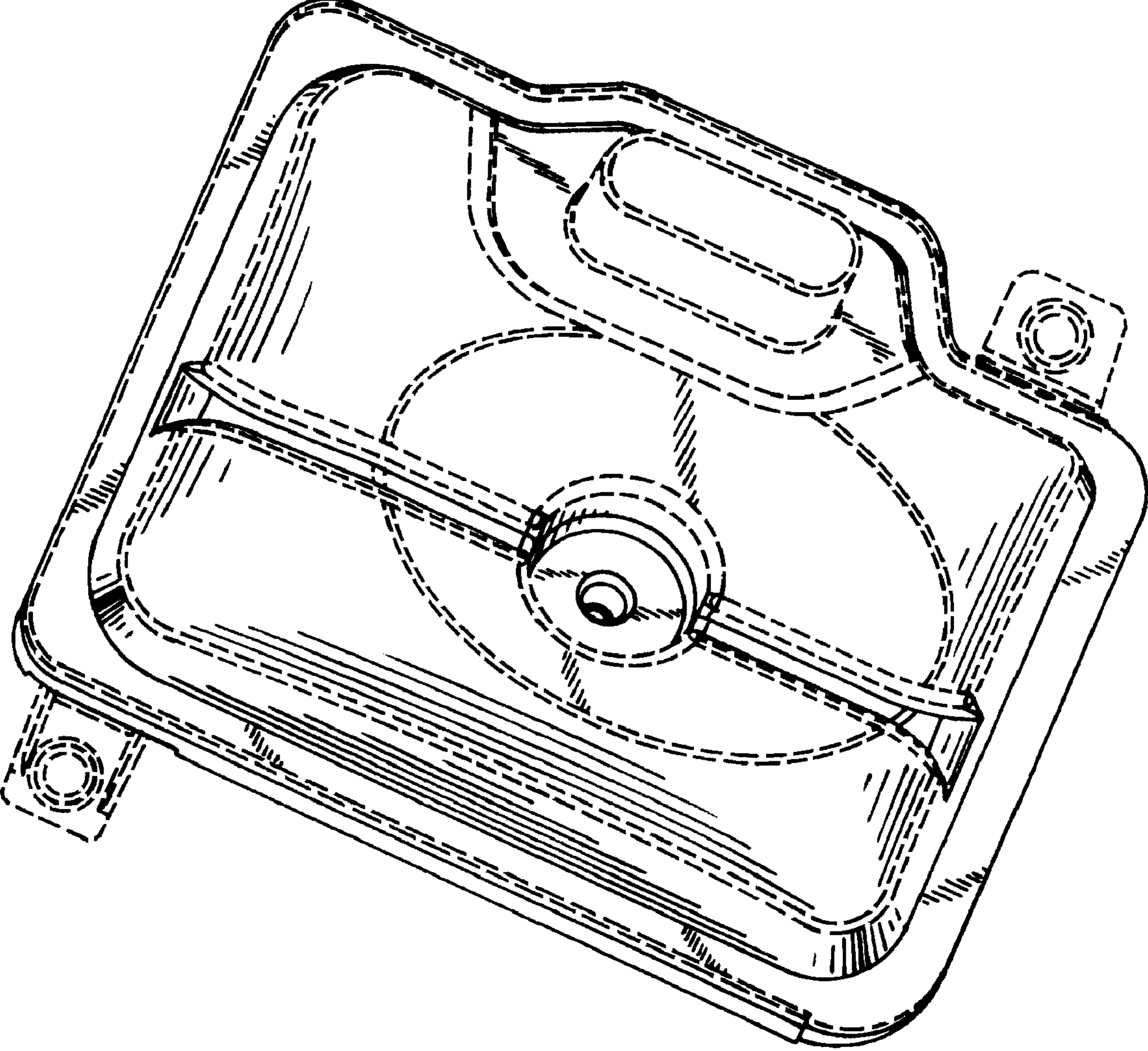


FIG. 3

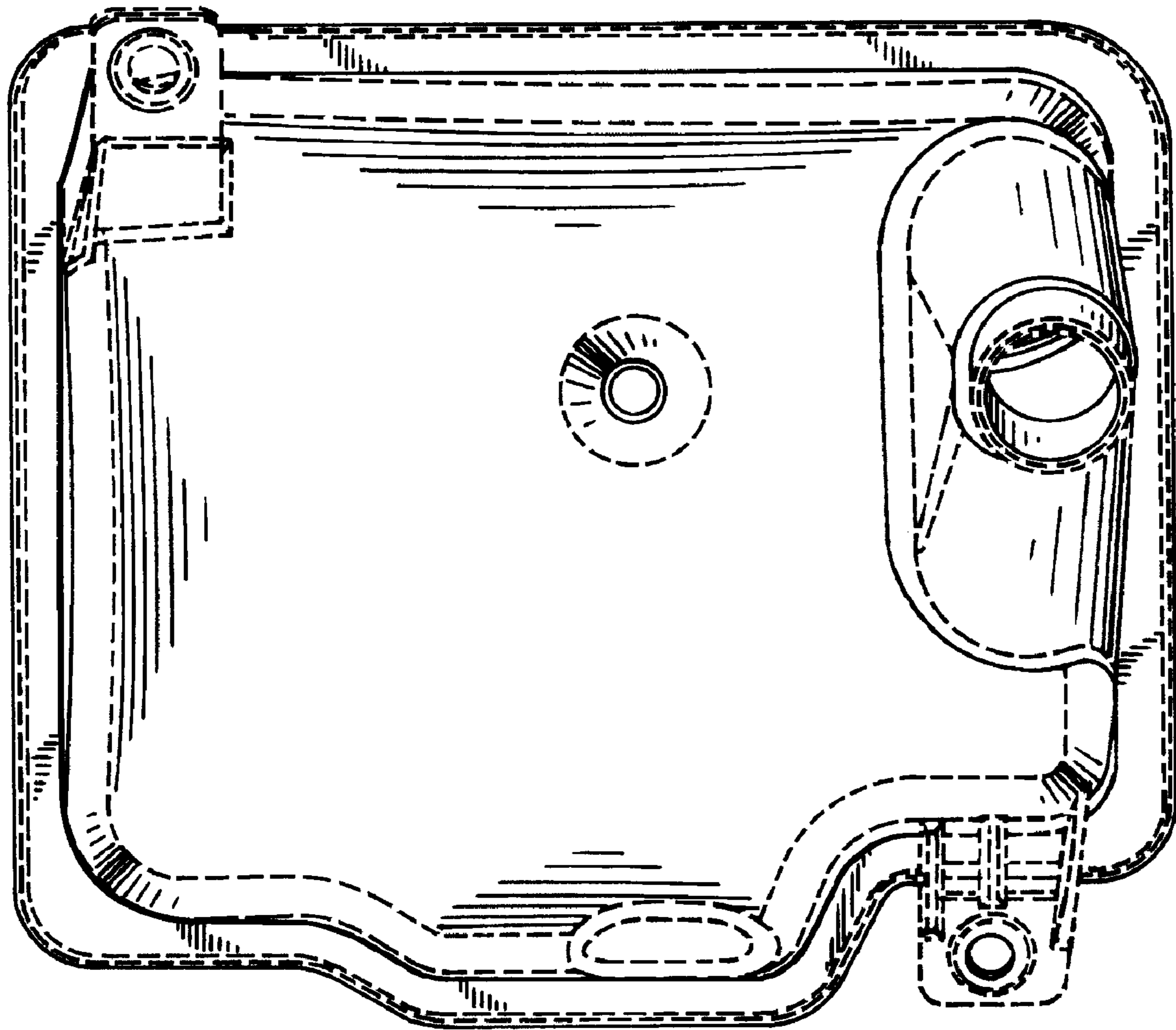


FIG. 4

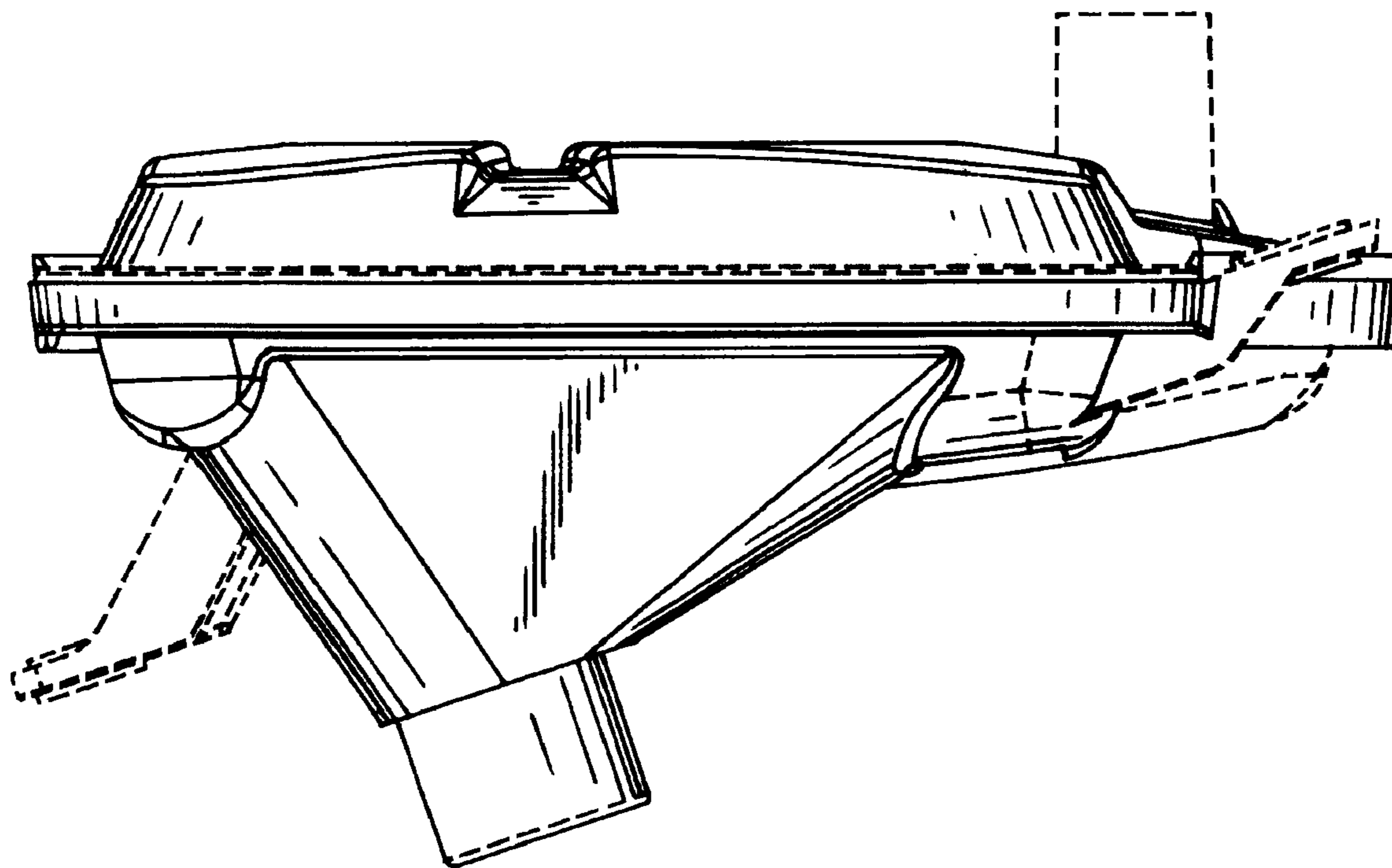


FIG. 5

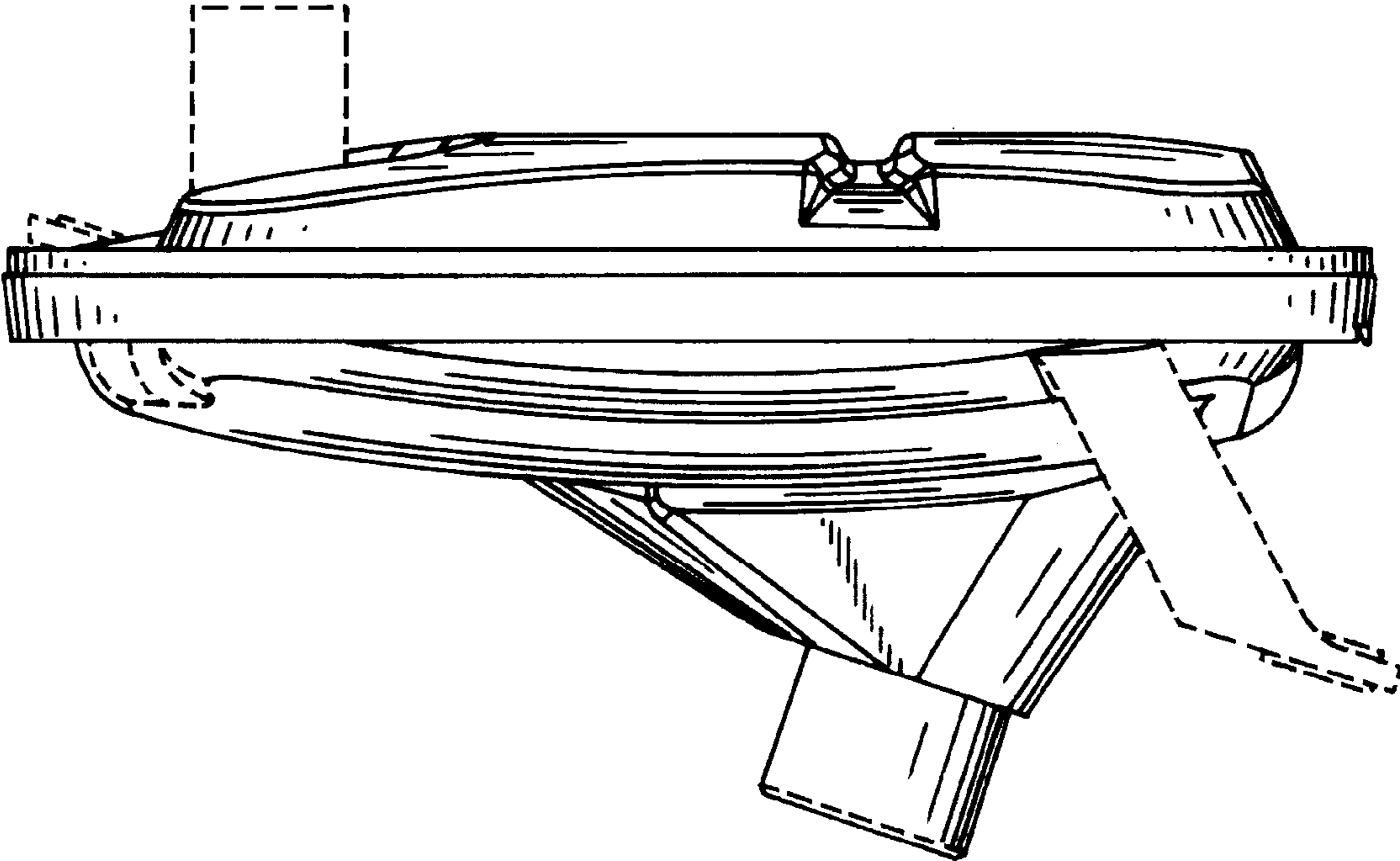


FIG. 6

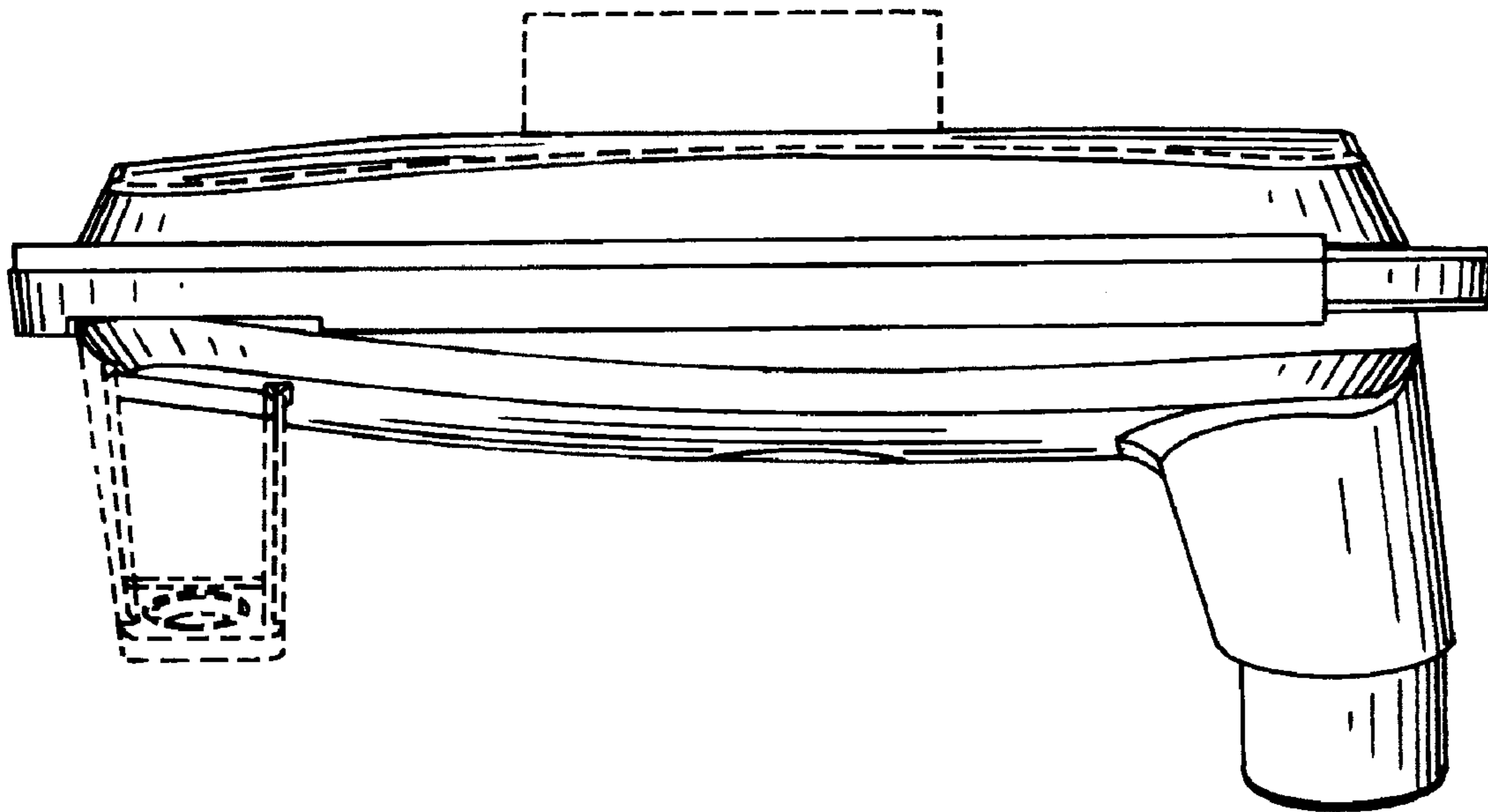


FIG. 7

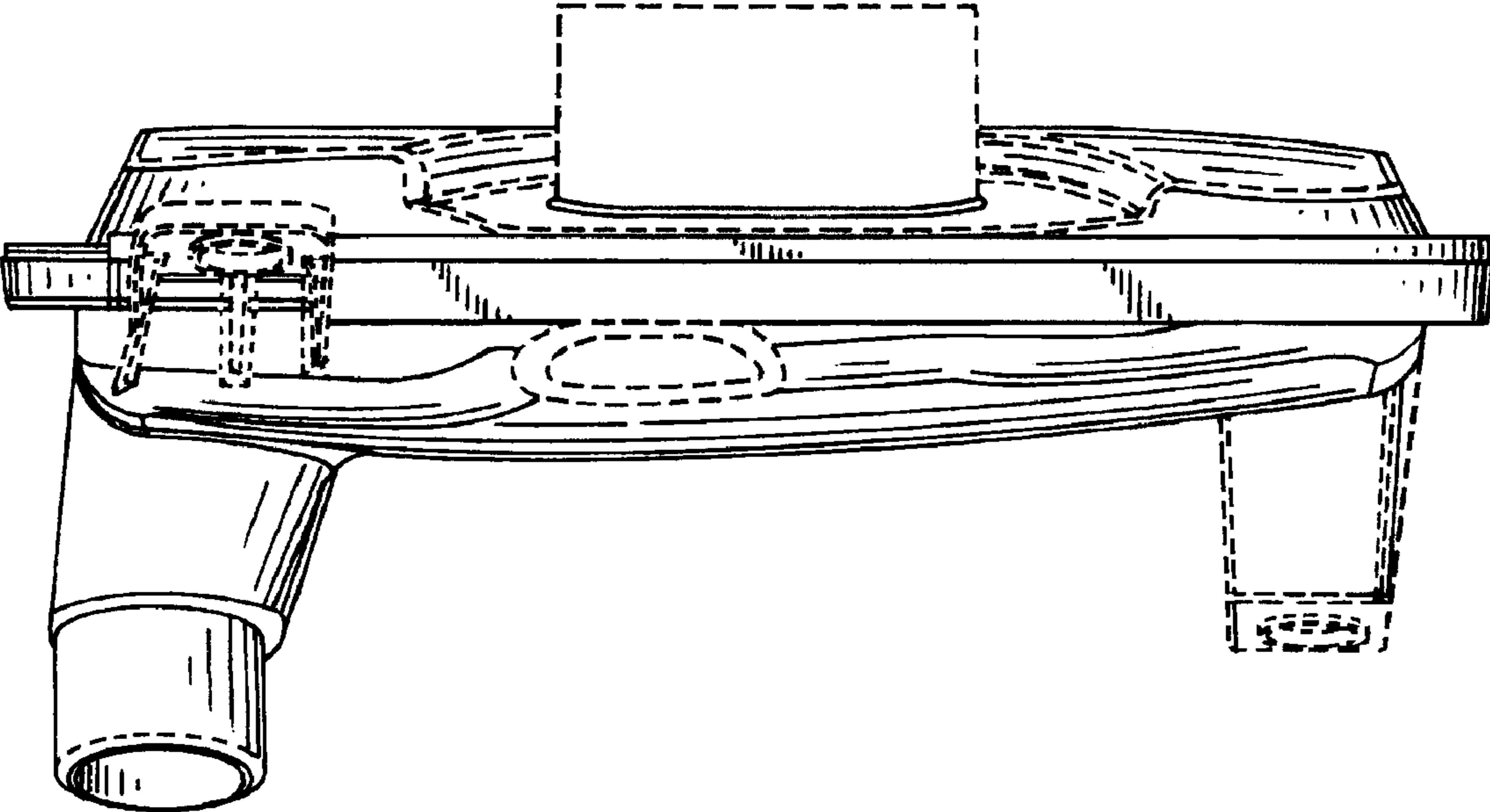


FIG. 8

