



US00D551317S

(12) **United States Design Patent** (10) **Patent No.:** **US D551,317 S**  
**Hope** (45) **Date of Patent:** **\*\* Sep. 18, 2007**

(54) **FISHING ROD BITE INDICATOR**

(74) *Attorney, Agent, or Firm*—Chase Law Firm, L.C.

(76) **Inventor:** **Edward M. Hope**, 2905 Foxpointe Cir.,  
Wichita, KS (US) 67226

(57) **CLAIM**

The ornamental design for a fishing rod bite indicator, as shown and described.

(\*\*) **Term:** **14 Years**

(21) **Appl. No.:** **29/267,341**

(22) **Filed:** **Oct. 12, 2006**

**DESCRIPTION**

(51) **LOC (8) Cl.** ..... **22-05**

FIG. 1 is a perspective view of the fishing rod bite indicator of the present invention;

(52) **U.S. Cl.** ..... **D22/134**

FIG. 2 is a front view of the fishing rod bite indicator as shown in FIG. 1;

(58) **Field of Classification Search** ..... D22/134–136,  
D22/138–139, 149, 199; 43/43.1, 15–17,  
43/17.5, 25

FIG. 3 is a rear view of the fishing rod bite indicator as shown in FIG. 1;

See application file for complete search history.

FIG. 4 is a top view of the fishing rod bite indicator as shown in FIG. 1;

(56) **References Cited**

**U.S. PATENT DOCUMENTS**

D401,995 S	*	12/1998	Yamagata	.....	D22/134
D403,737 S	*	1/1999	Howe et al.	.....	D22/139
D421,478 S	*	3/2000	Medrano	.....	D22/134
D459,783 S	*	7/2002	Tseng	.....	D22/134
D484,563 S	*	12/2003	Rozkowski	.....	D22/134

FIG. 5 is a bottom view of the fishing rod bite indicator as shown in FIG. 1;

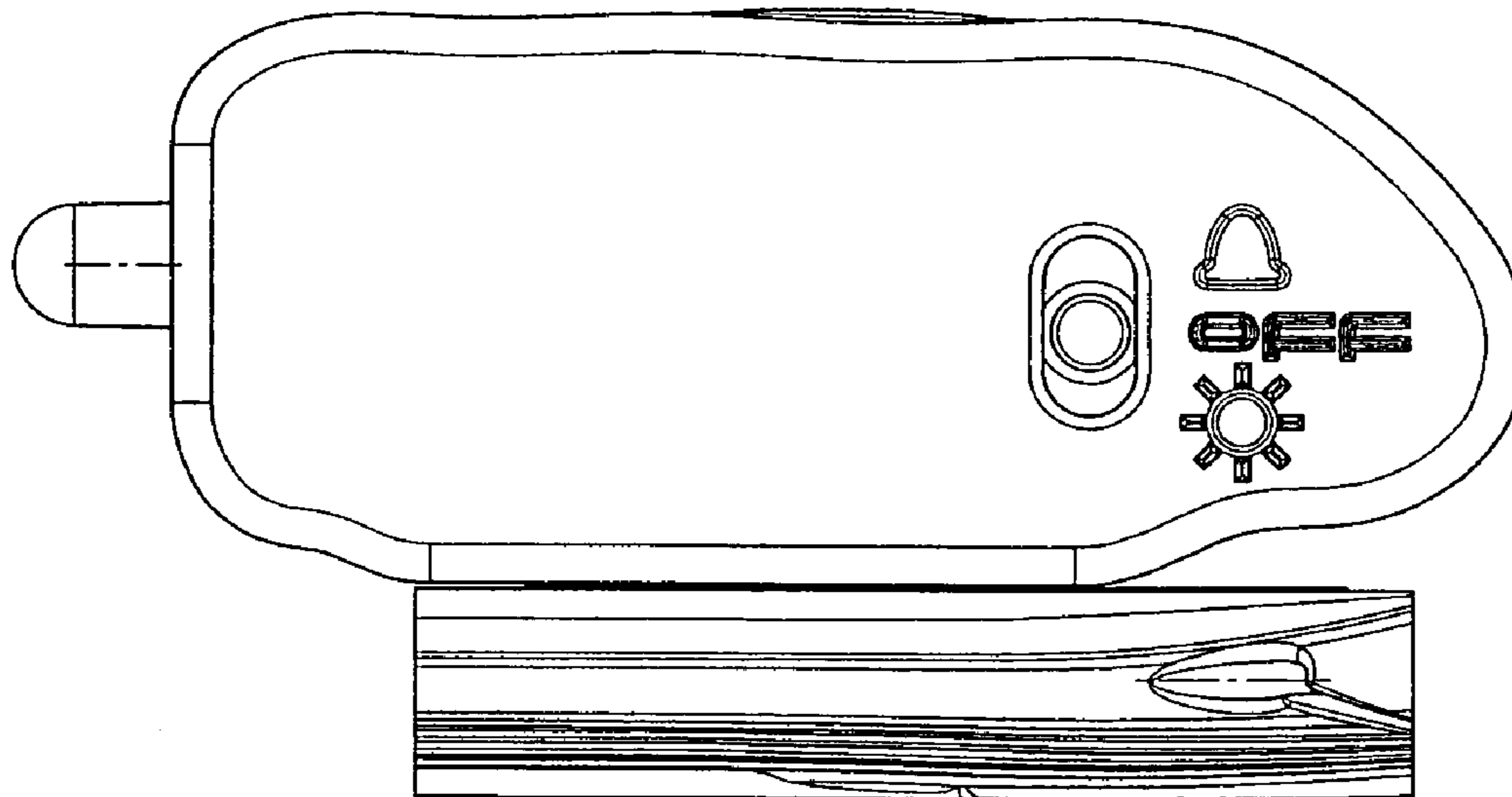
FIG. 6 is a right end view of the fishing rod bite indicator as shown in FIG. 1; and,

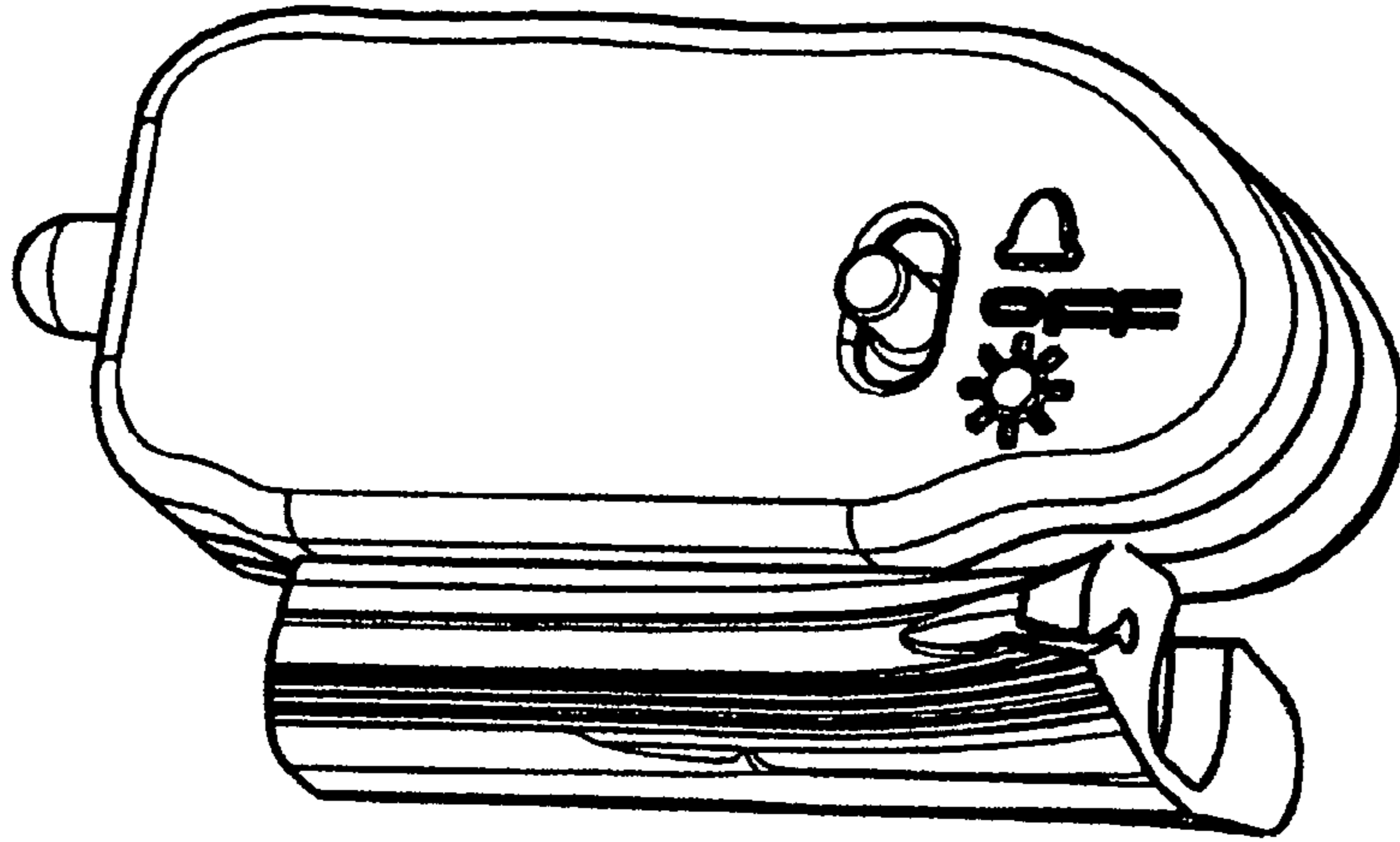
FIG. 7 is a left end view of the fishing rod bite indicator as shown in FIG. 1.

\* cited by examiner

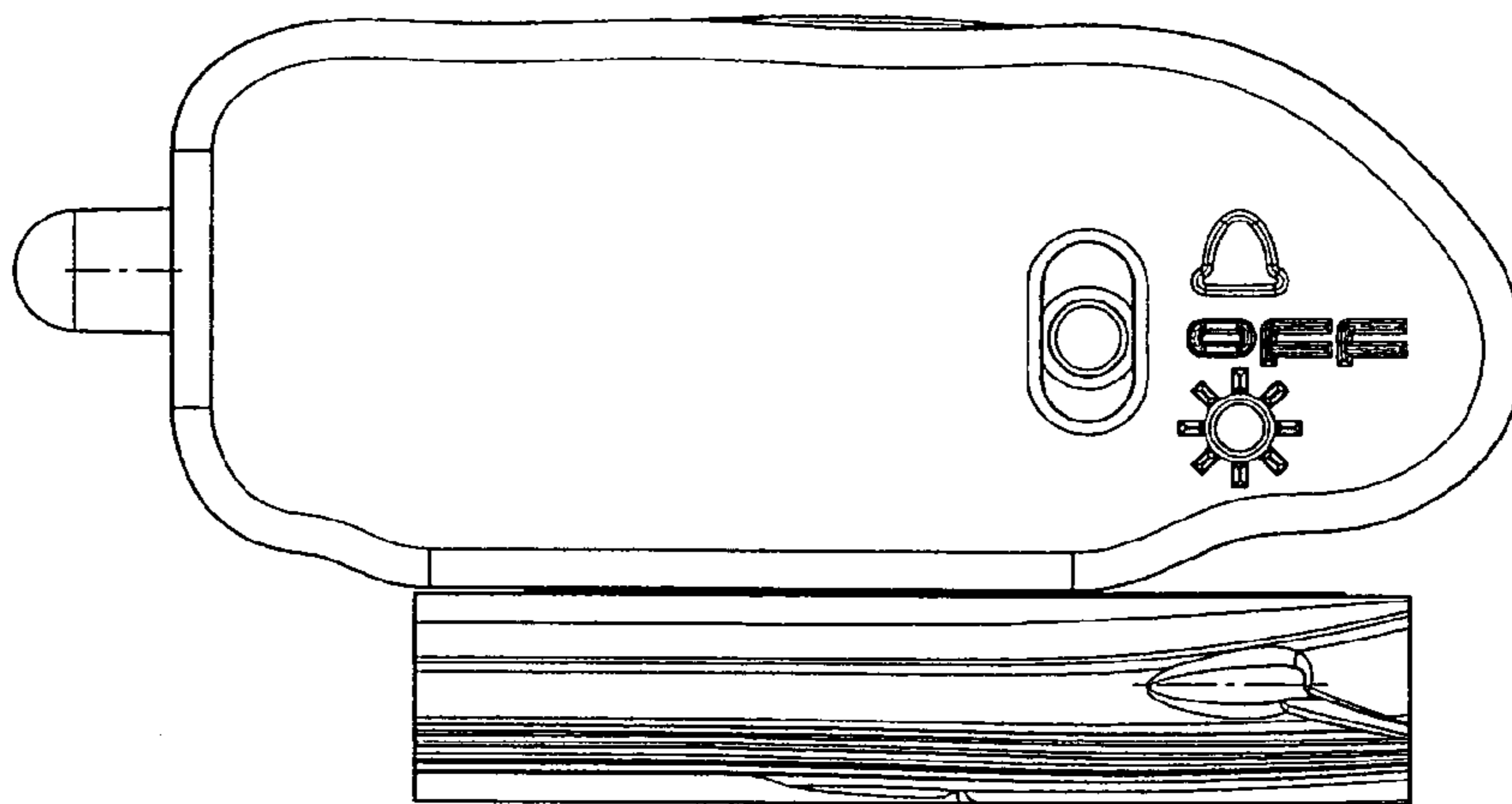
*Primary Examiner*—Catherine R. Oliver

**1 Claim, 2 Drawing Sheets**

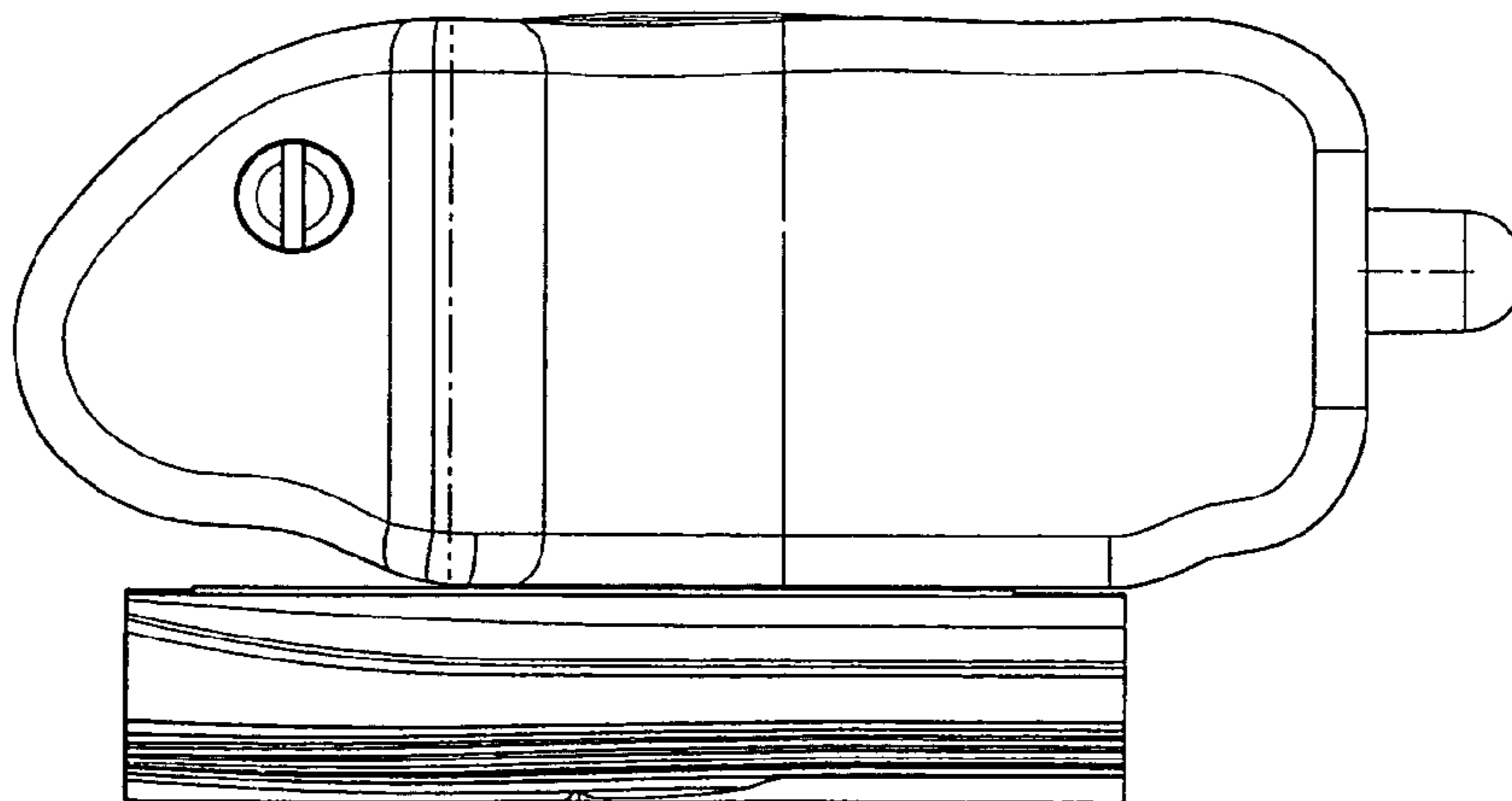




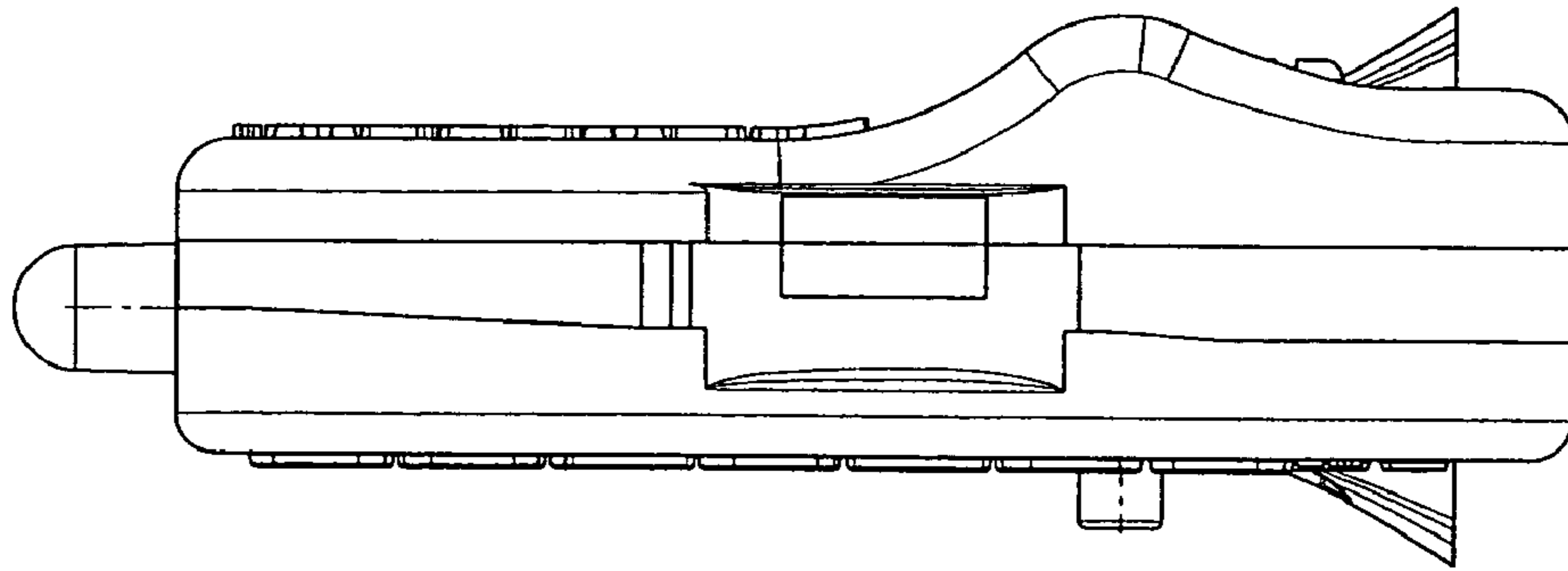
*Fig. 1*



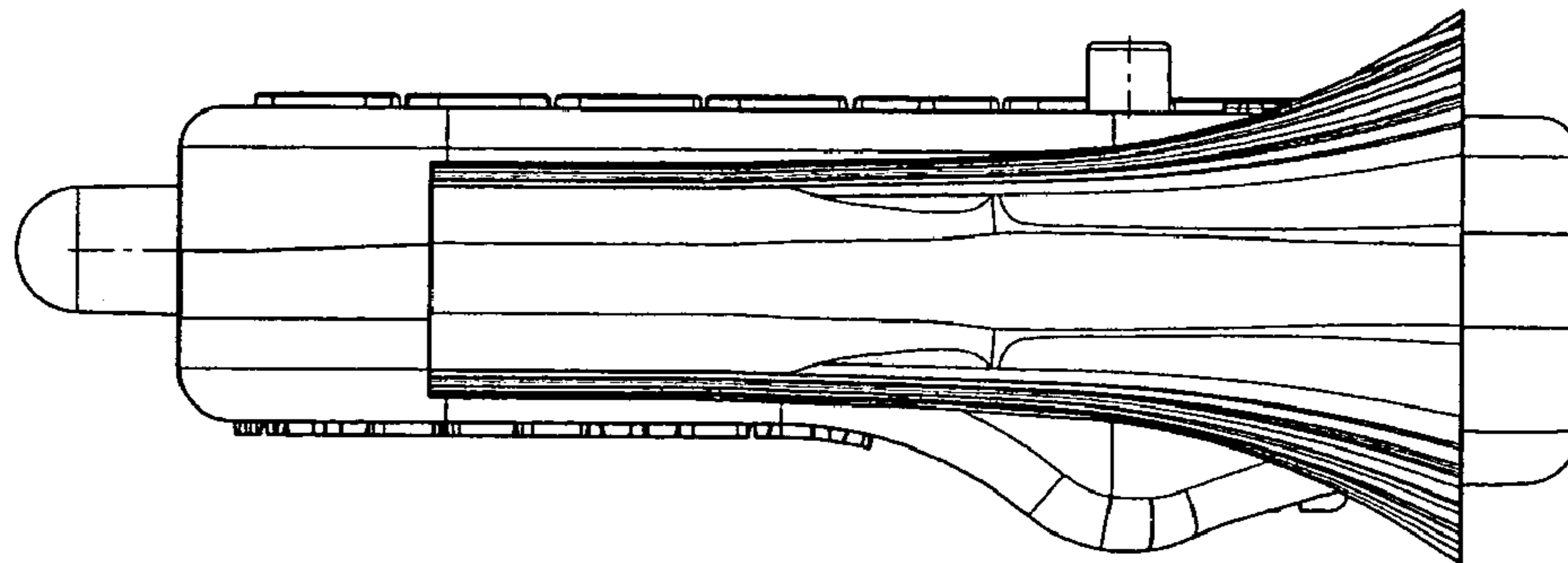
*Fig. 2*



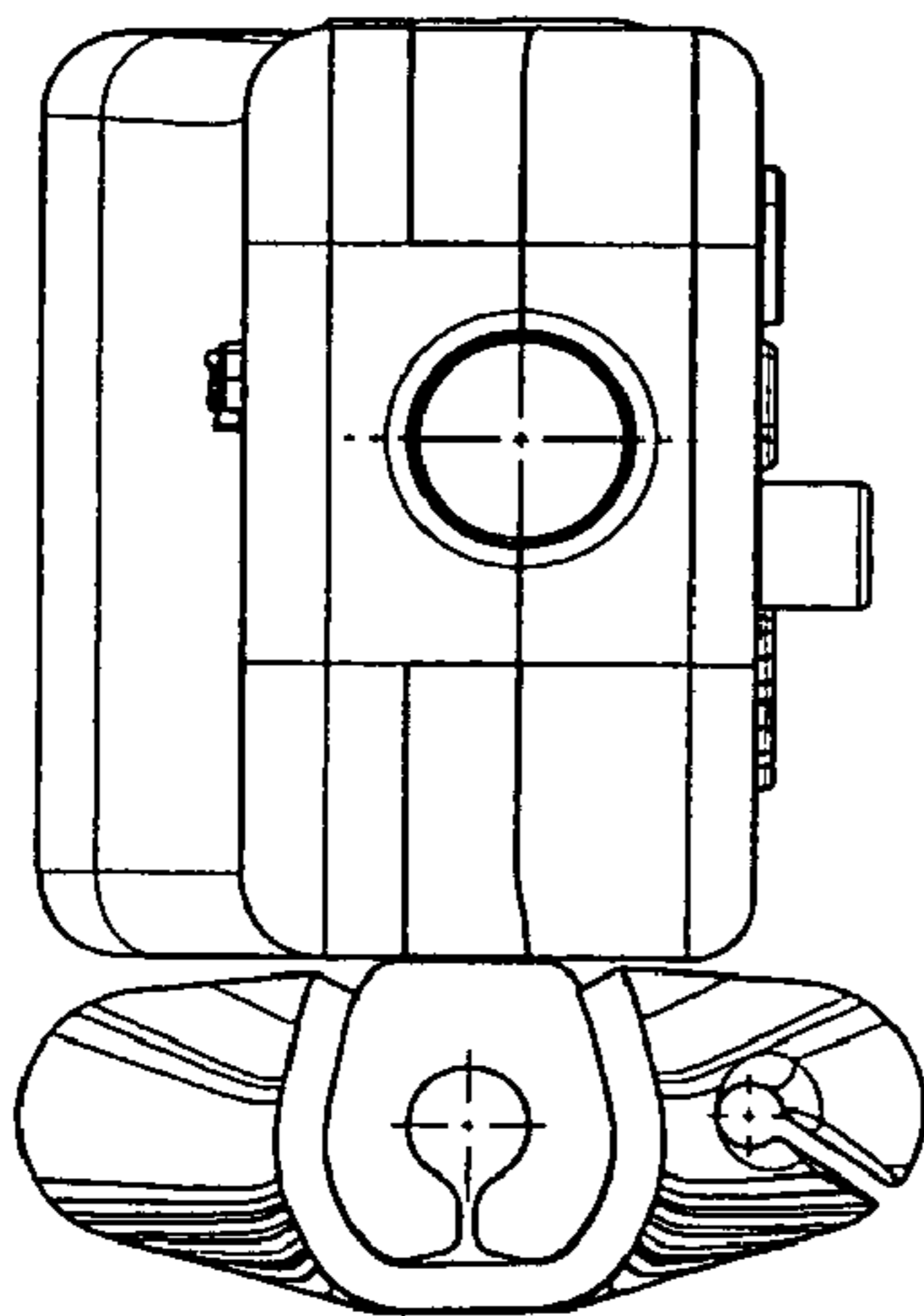
*Fig. 3*



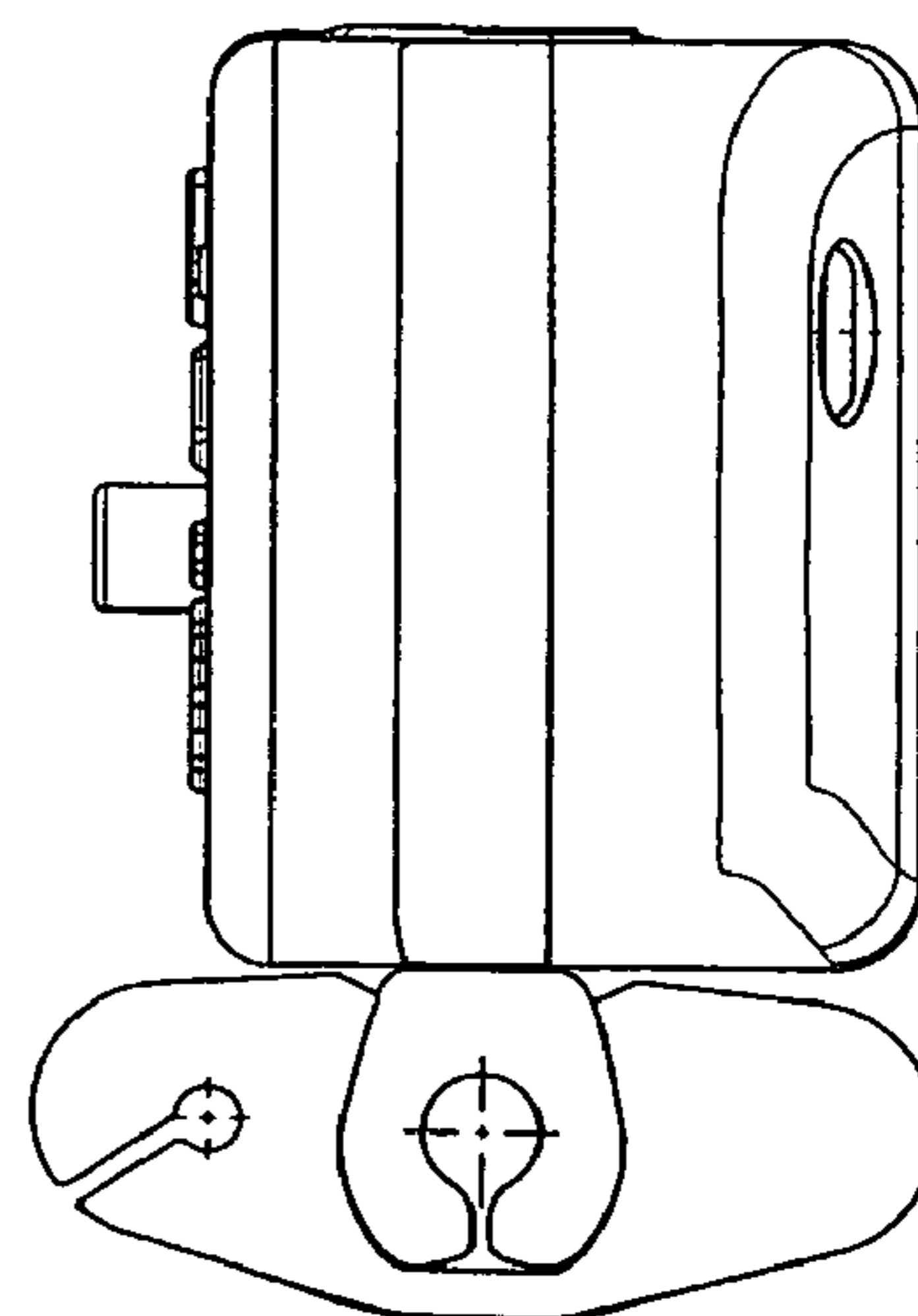
*Fig. 4*



*Fig. 5*



*Fig. 6*



*Fig. 7*