



US00D551316S

(12) **United States Design Patent**
Patrick

(10) **Patent No.:** **US D551,316 S**

(45) **Date of Patent:** **** Sep. 18, 2007**

(54) **FISHING LURE**

(75) Inventor: **Benjamin Neil Patrick**, Cottesloe (AU)

(73) Assignee: **Halco Pty. Ltd.**, Fremantle, Western Australia (AU)

(**) Term: **14 Years**

(21) Appl. No.: **29/263,994**

(22) Filed: **Aug. 2, 2006**

(30) **Foreign Application Priority Data**

Feb. 2, 2006 (AU) 2006010326

(51) **LOC (8) Cl.** **22-05**

(52) **U.S. Cl.** **D22/126**

(58) **Field of Classification Search** D22/126-133;
43/42.5, 42.24, 42.09, 42.37, 42.26, 42.27,
43/42.45, 42.47, 42.36

See application file for complete search history.

(56) **References Cited**

U.S. PATENT DOCUMENTS

D406,309 S * 3/1999 Hart D22/126

D503,452 S * 3/2005 Mouso D22/128

D529,572 S * 10/2006 Gaines D22/126

* cited by examiner

Primary Examiner—Catherine R. Oliver

(74) *Attorney, Agent, or Firm*—Venable LLP; Robert Kinberg

(57) **CLAIM**

The ornamental design for a fishing lure, as shown and described.

DESCRIPTION

FIG. 1 is a perspective view from the front-top-right-side of the fishing lure showing my new design;

FIG. 2 is a front view of the design shown in FIG. 1;

FIG. 3 is a rear view of the design shown in FIG. 1;

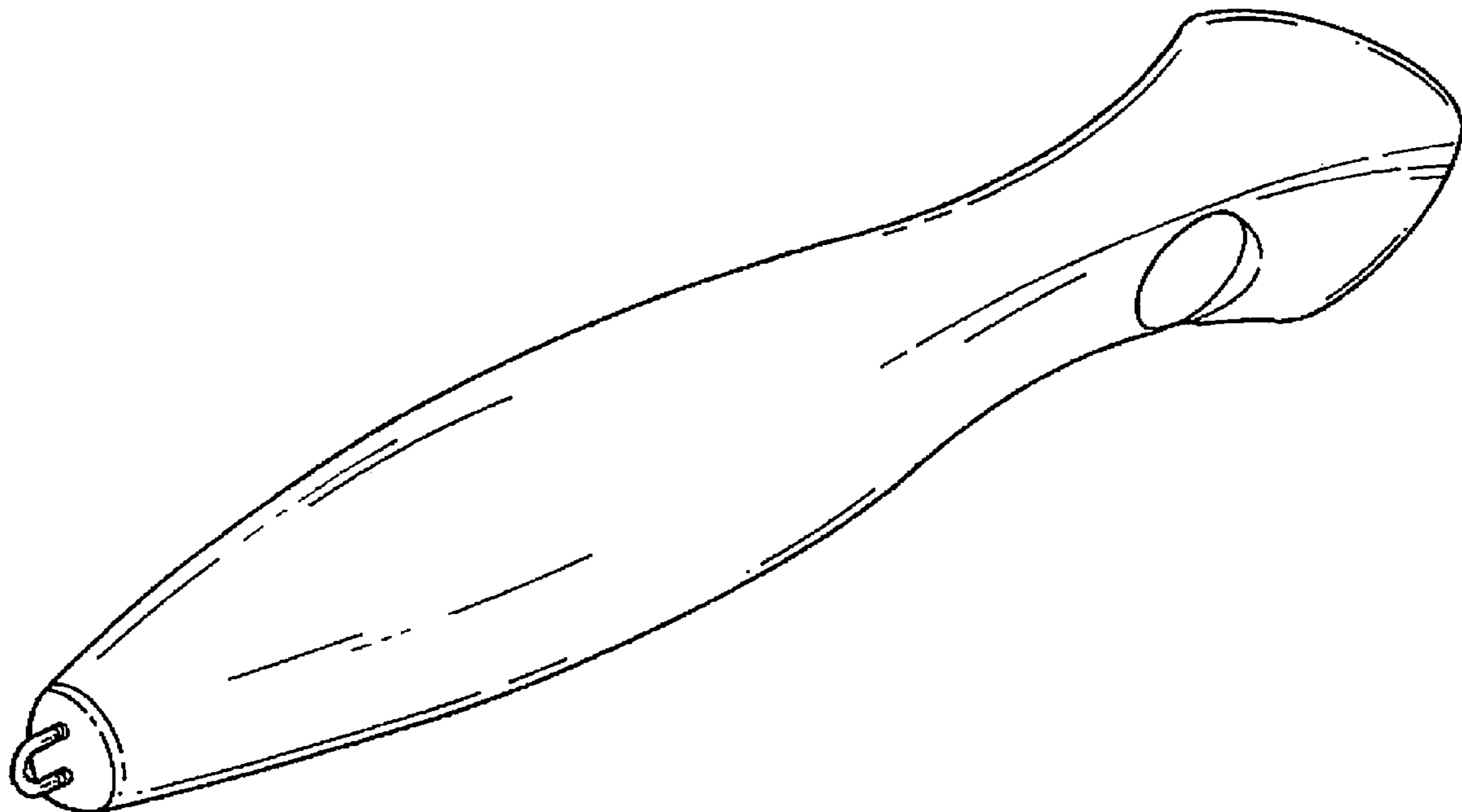
FIG. 4 is a left side view of the design shown in FIG. 1, the right side view being mirror image of the left side view;

FIG. 5 is a top plan view of the design shown in FIG. 1;

FIG. 6 is a bottom plan view of the design shown in FIG. 1; and,

FIG. 7 is a perspective from the rear-bottom-left side of the design shown in FIG. 1.

1 Claim, 4 Drawing Sheets



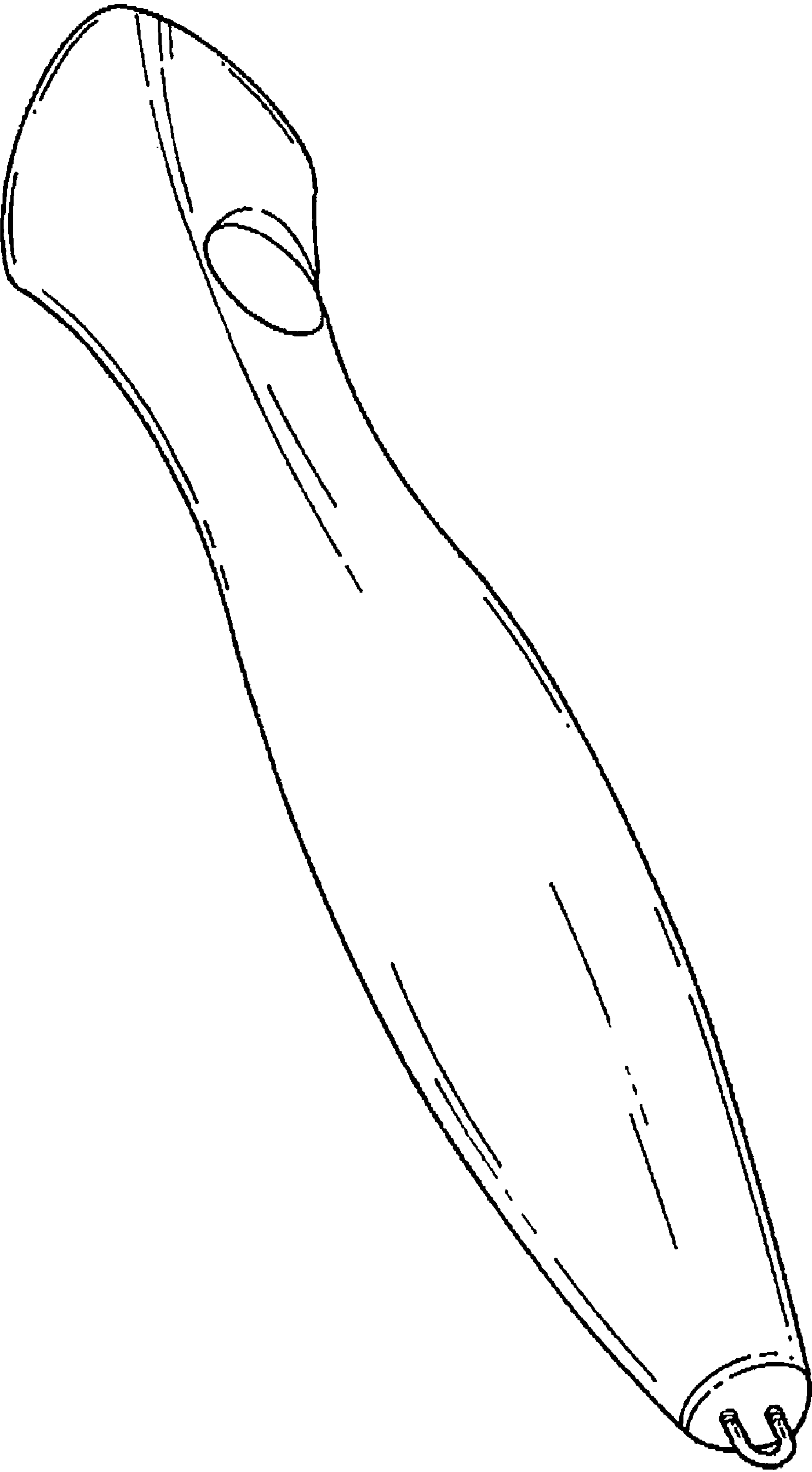


Fig. 1

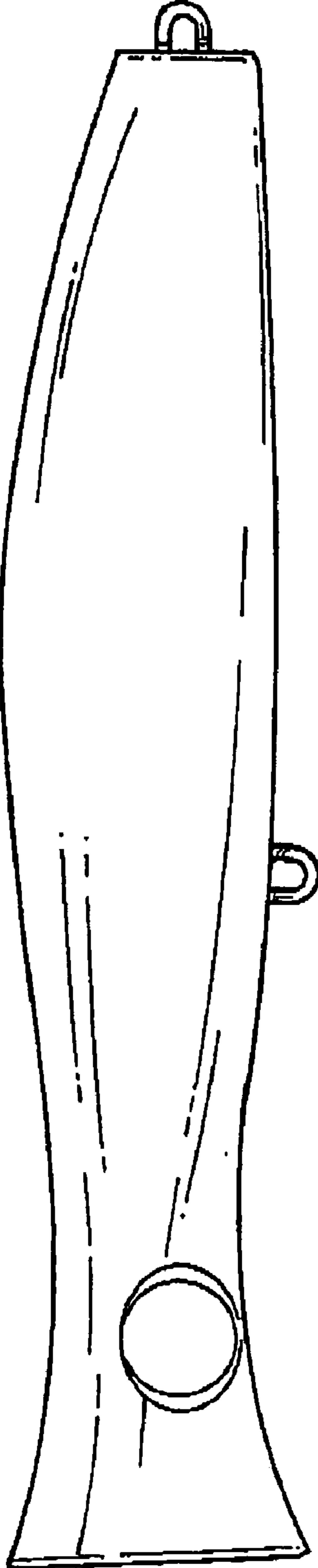


Fig. 4

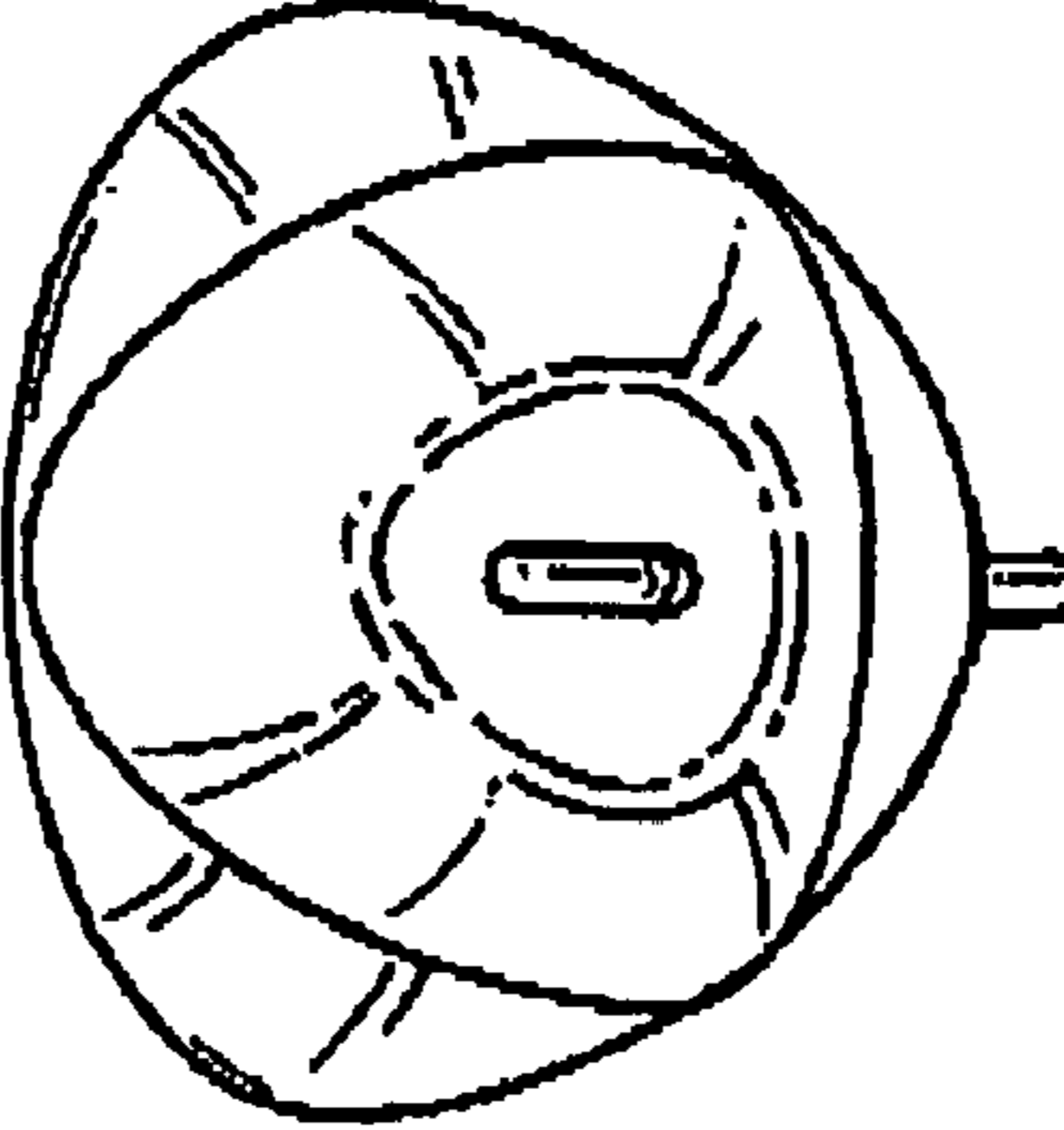


Fig. 2

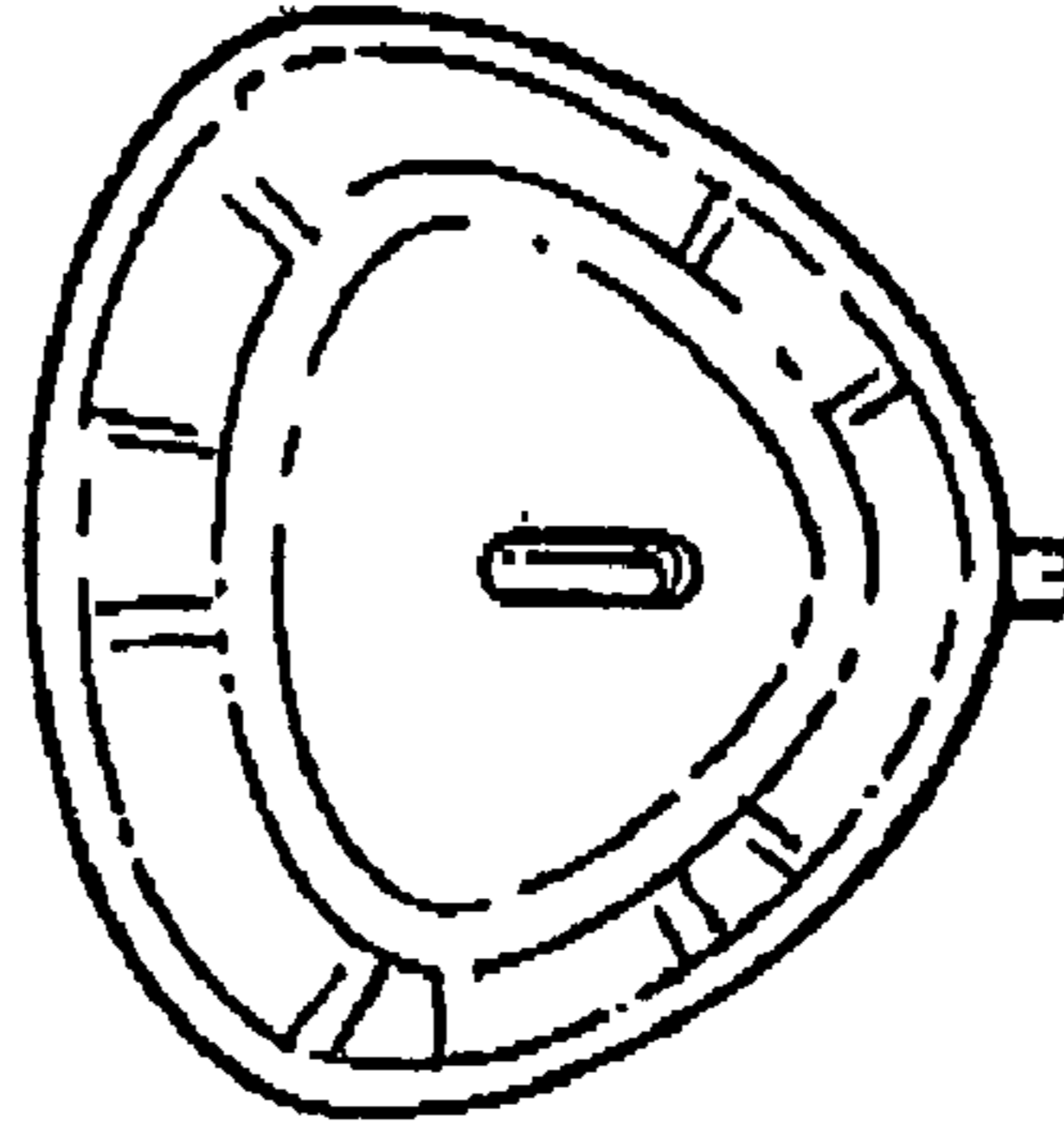


Fig. 3

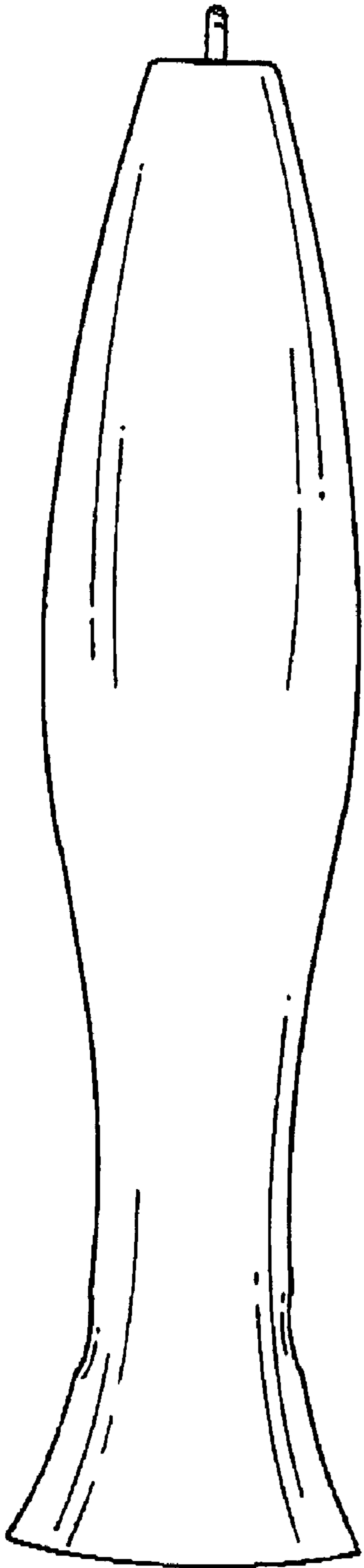


Fig. 5

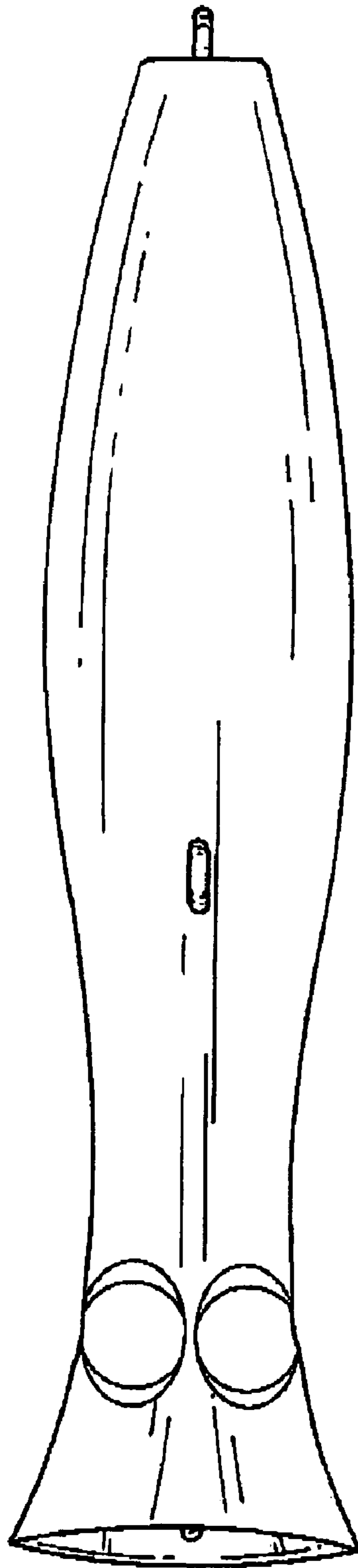


Fig. 6

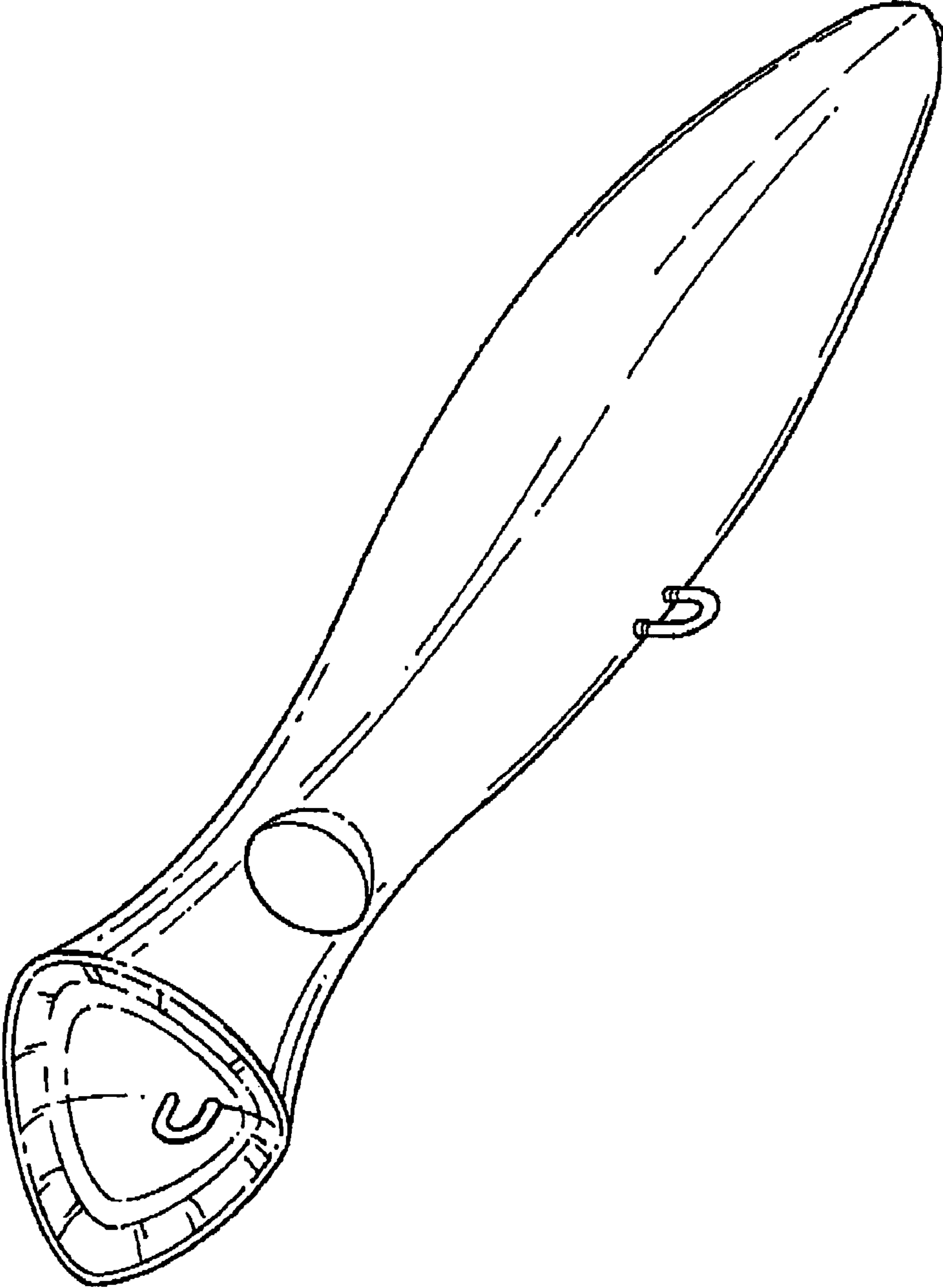


Fig. 7