



US00D551313S

(12) **United States Design Patent**
Saur et al.

(10) **Patent No.:** **US D551,313 S**
(45) **Date of Patent:** **** Sep. 18, 2007**

(54) **FIREARM**

(57) **CLAIM**

(76) Inventors: **James H. Saur**, 1932 Chestnut,
Dearborn, MI (US) 48124; **Michael J.
Saur**, 13401 Eleven Mile Rd.,
Greenville, MI (US) 48838; **Thomas W.
Saur**, 1932 Chestnut, Dearborn, MI
(US) 48124

The ornamental design for a firearm, as shown and
described.

(**) Term: **14 Years**

DESCRIPTION

(21) Appl. No.: **29/265,579**

FIG. 1 is a front elevation view of a firearm;
FIG. 2 is a rear elevation view of the firearm;

(22) Filed: **Sep. 1, 2006**

FIG. 3 is a left side elevation view of a firearm with a folding
butt stock extended and without accessories mounted on a
front rail;

(51) **LOC (8) Cl.** **22-01**

(52) **U.S. Cl.** **D22/103**

(58) **Field of Classification Search** D22/100,
D22/101, 103, 104, 108, 199; D21/572,
D21/573; 42/51, 71.01, 75.01, 75.02, 90;
362/110; 33/241; 313/105 R; 89/40.06,
89/37.04, 33.04; 124/67, 66, 74

FIG. 4 is a left side elevation view of the firearm with the
butt stock which is collapsed and a detachable vertical
foregrip accessory, shown in phantom, mounted on the front
rail;

See application file for complete search history.

FIG. 5 is a right side elevation view of the firearm with the
folding butt stock extended and without accessories
mounted on the front rail;

(56) **References Cited**

U.S. PATENT DOCUMENTS

897,813 A	9/1908	Bennett	
1,349,345 A	8/1920	Payne	
2,141,537 A *	12/1938	Laloux	42/75.01
3,999,461 A	12/1976	Johnson et al.	
D251,979 S	5/1979	Hance	
D285,234 S	8/1986	Swearngen et al.	
4,625,706 A	12/1986	Turner, Jr.	
D295,058 S *	4/1988	Turner, Jr.	D21/573

FIG. 6 is a right side elevation view of the firearm with the
butt stock which is collapsed;

FIG. 7 is a bottom plan view of the firearm with the folding
butt stock in the collapsed position;

FIG. 8 is a top plan view of the firearm with the folding butt
stock in the collapsed position;

FIG. 9 is a front perspective view of the firearm with the
folding butt stock in the collapsed position; and,

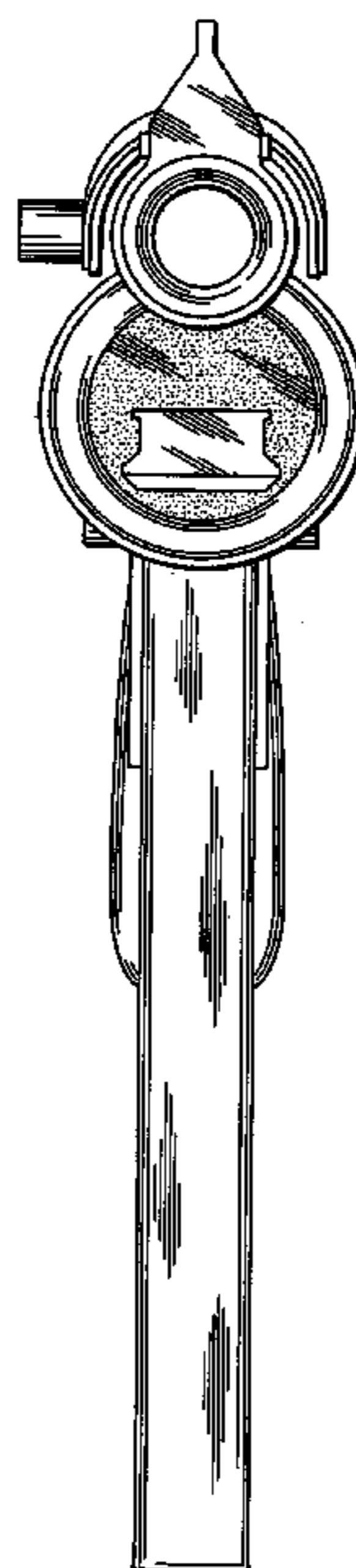
FIG. 10 is a rear perspective view of the firearm with the
folding butt stock extended and without accessories
mounted on the front rail.

The broken lines are for illustrative purposes only and form
no part of the claimed design.

(Continued)

Primary Examiner—Ian Simmons
Assistant Examiner—Melanie Levy

1 Claim, 6 Drawing Sheets



US D551,313 S

Page 2

U.S. PATENT DOCUMENTS

D303,418 S *	9/1989	Miller et al.	D22/103	6,374,528 B1	4/2002	Davis et al.	
4,882,973 A	11/1989	Piscetta		D460,792 S	7/2002	Lee	
4,942,802 A	7/1990	Stoner		6,634,274 B1	10/2003	Herring	
5,198,600 A	3/1993	E'Nama		6,651,371 B2 *	11/2003	Fitzpatrick et al.	42/72
5,305,539 A	4/1994	Von Kuster		6,752,137 B2	6/2004	Brunette et al.	
D385,008 S *	10/1997	Lamont	D22/104	6,785,997 B2	9/2004	Oz	
D400,954 S	11/1998	Ealovega		2001/0042334 A1	11/2001	Weichert et al.	
5,900,577 A	5/1999	Robinson et al.		2004/0244258 A1	12/2004	O'Dwyer et al.	

* cited by examiner

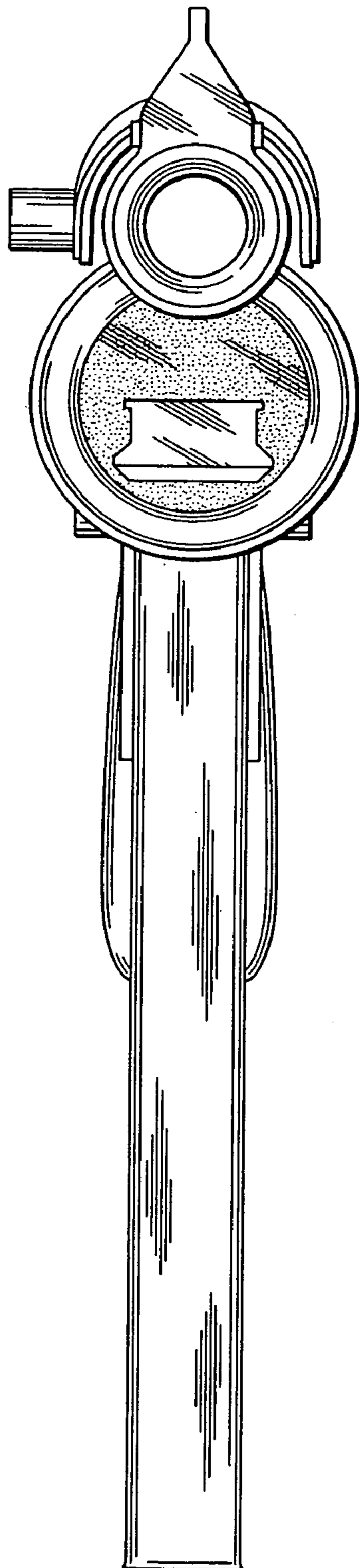


Fig. 1

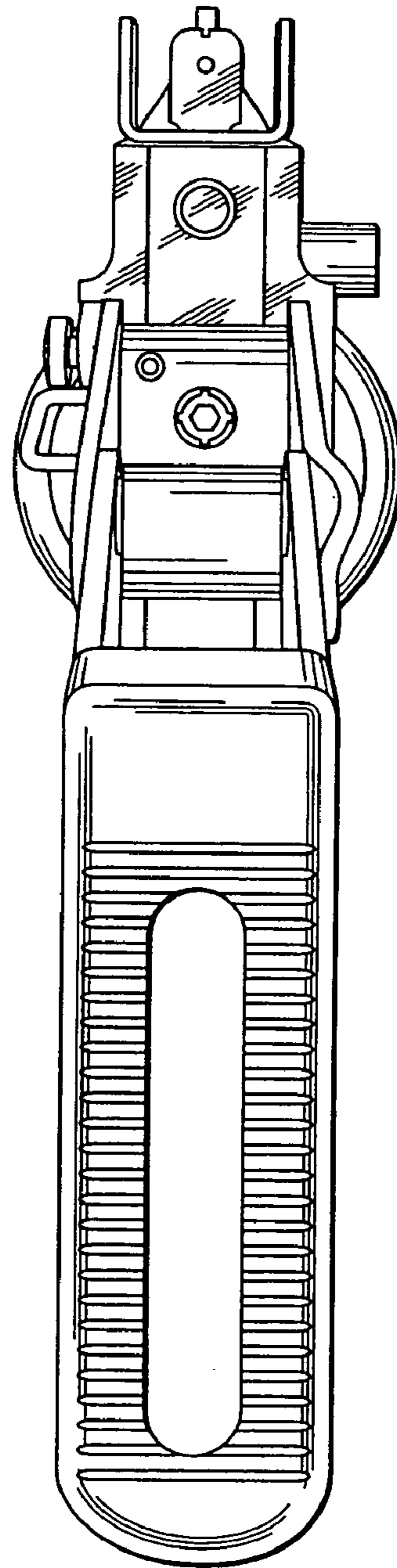


Fig. 2

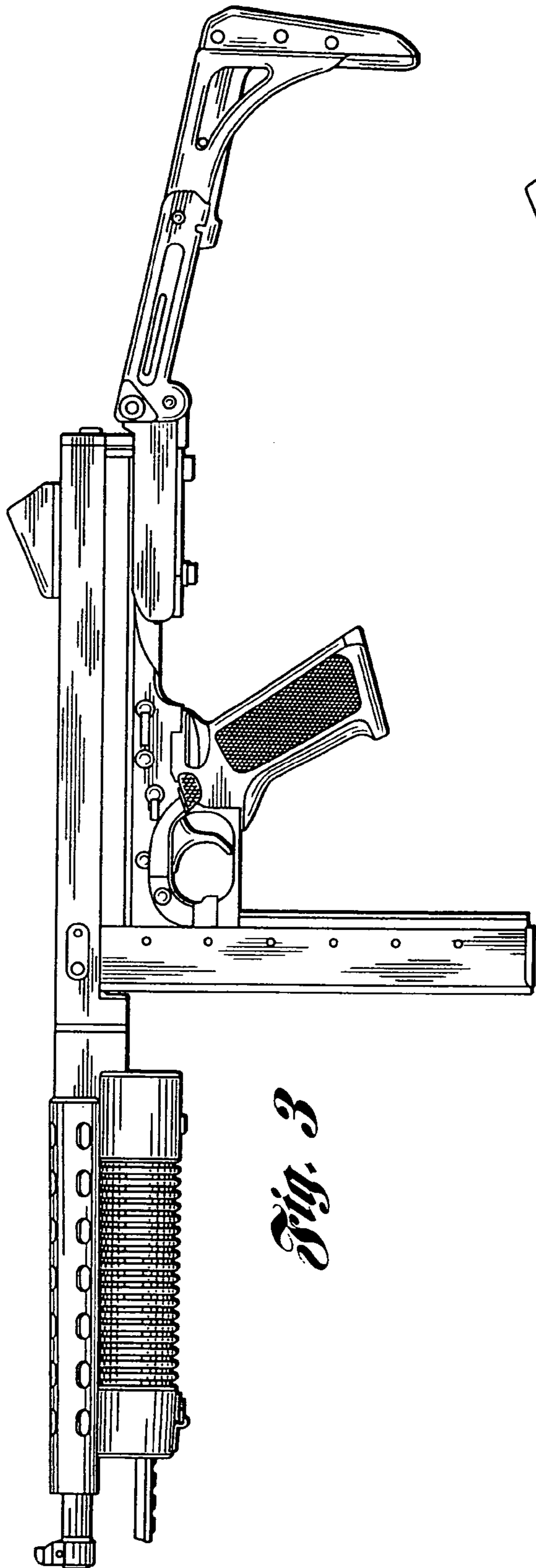


Fig. 3

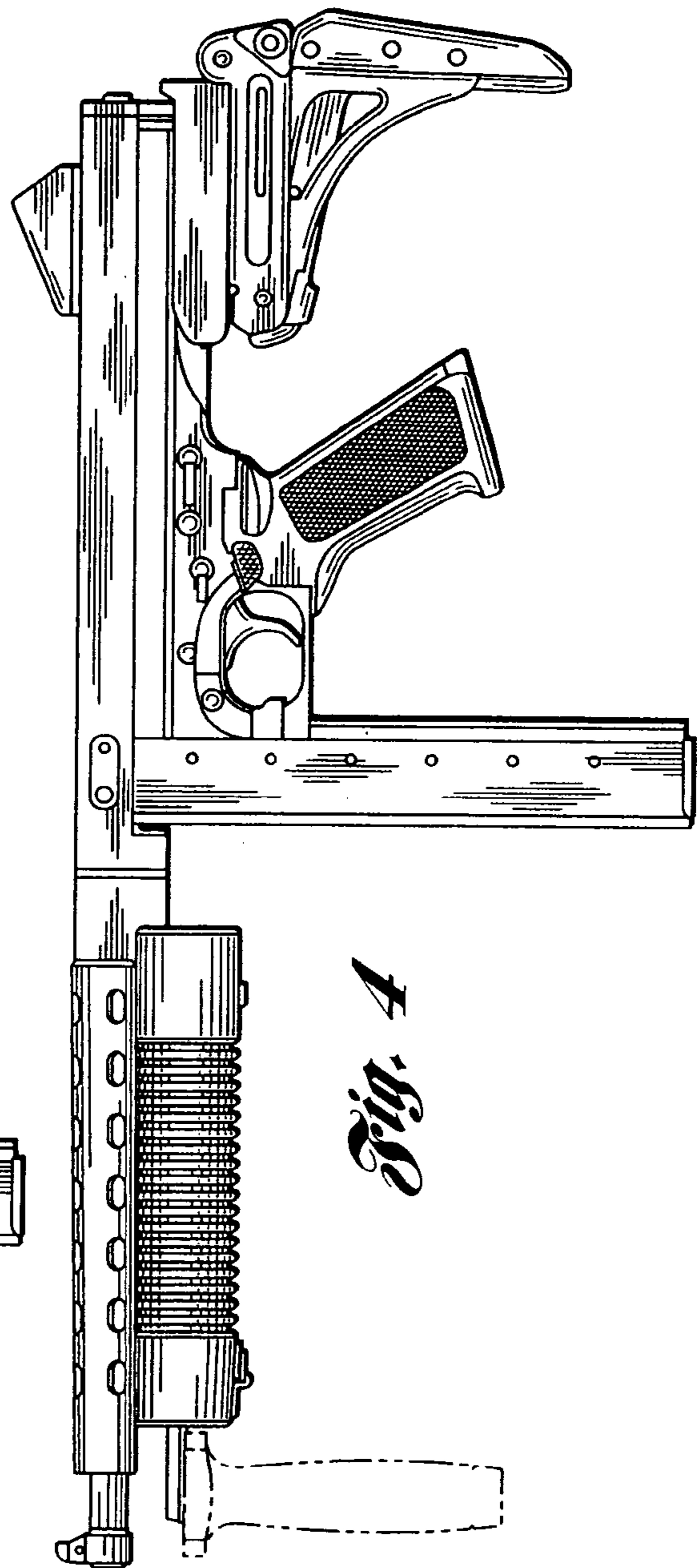
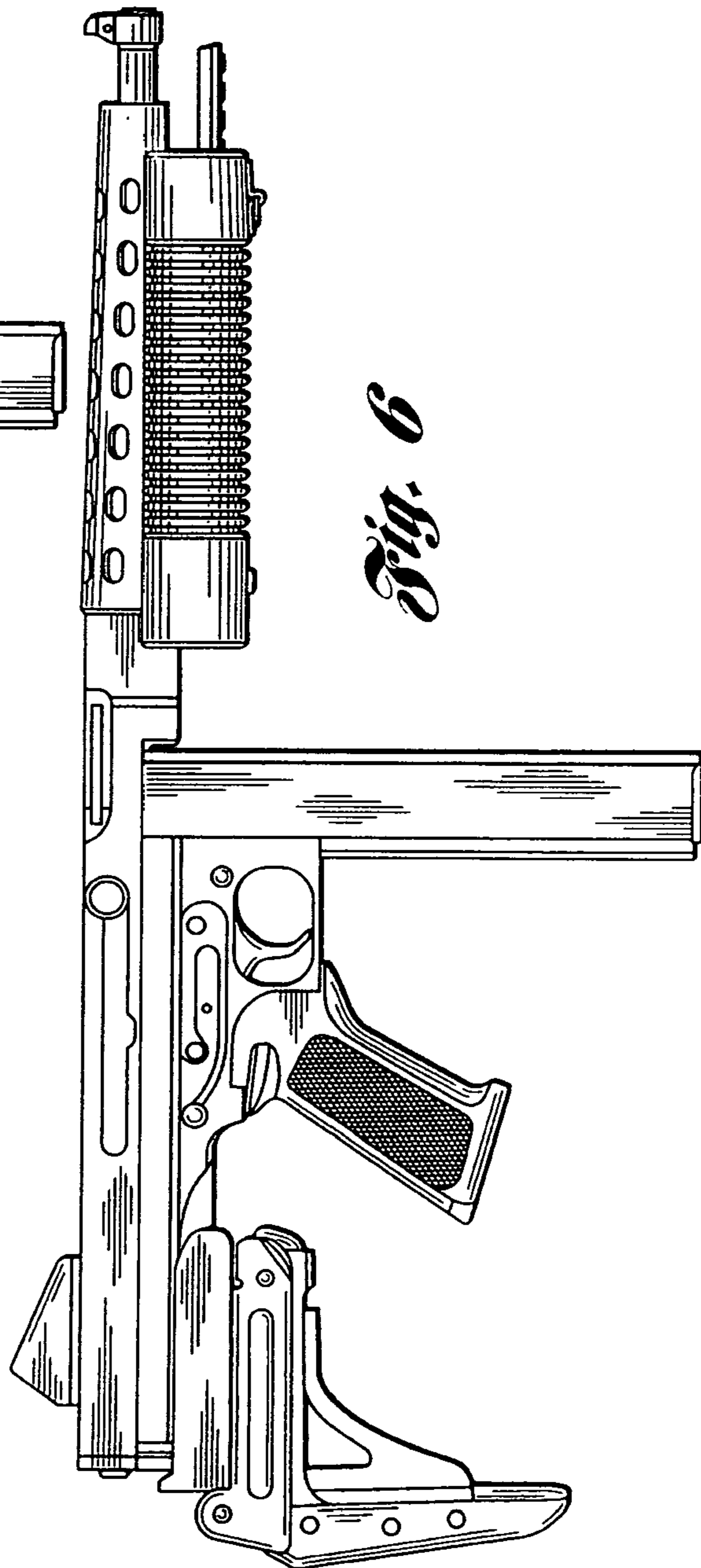
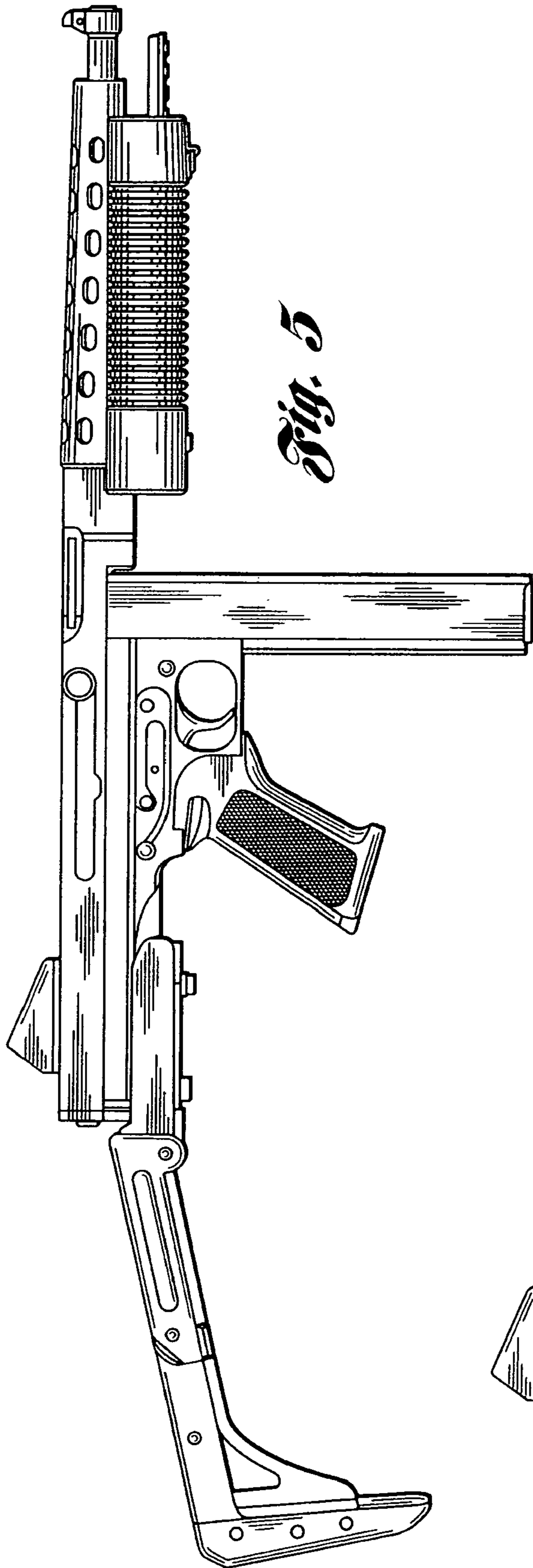


Fig. 4



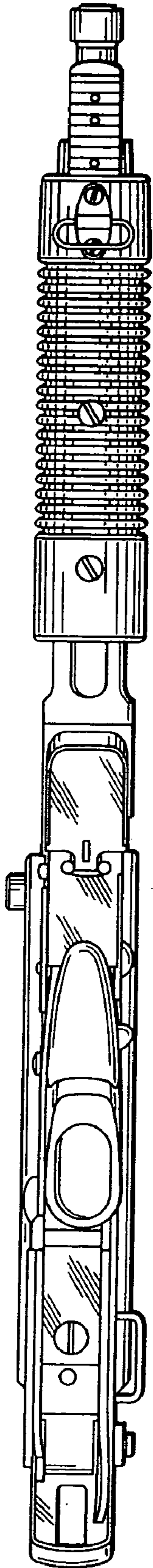


Fig. 7

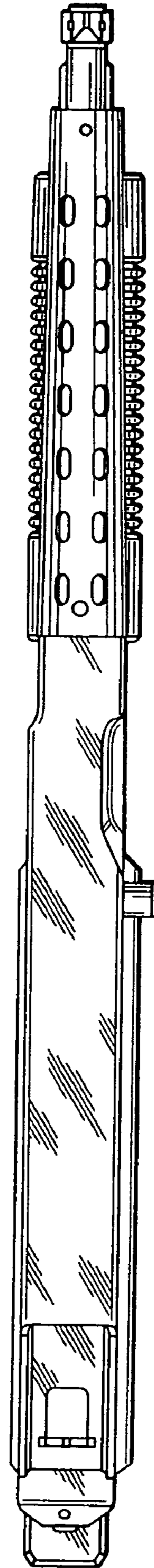


Fig. 8

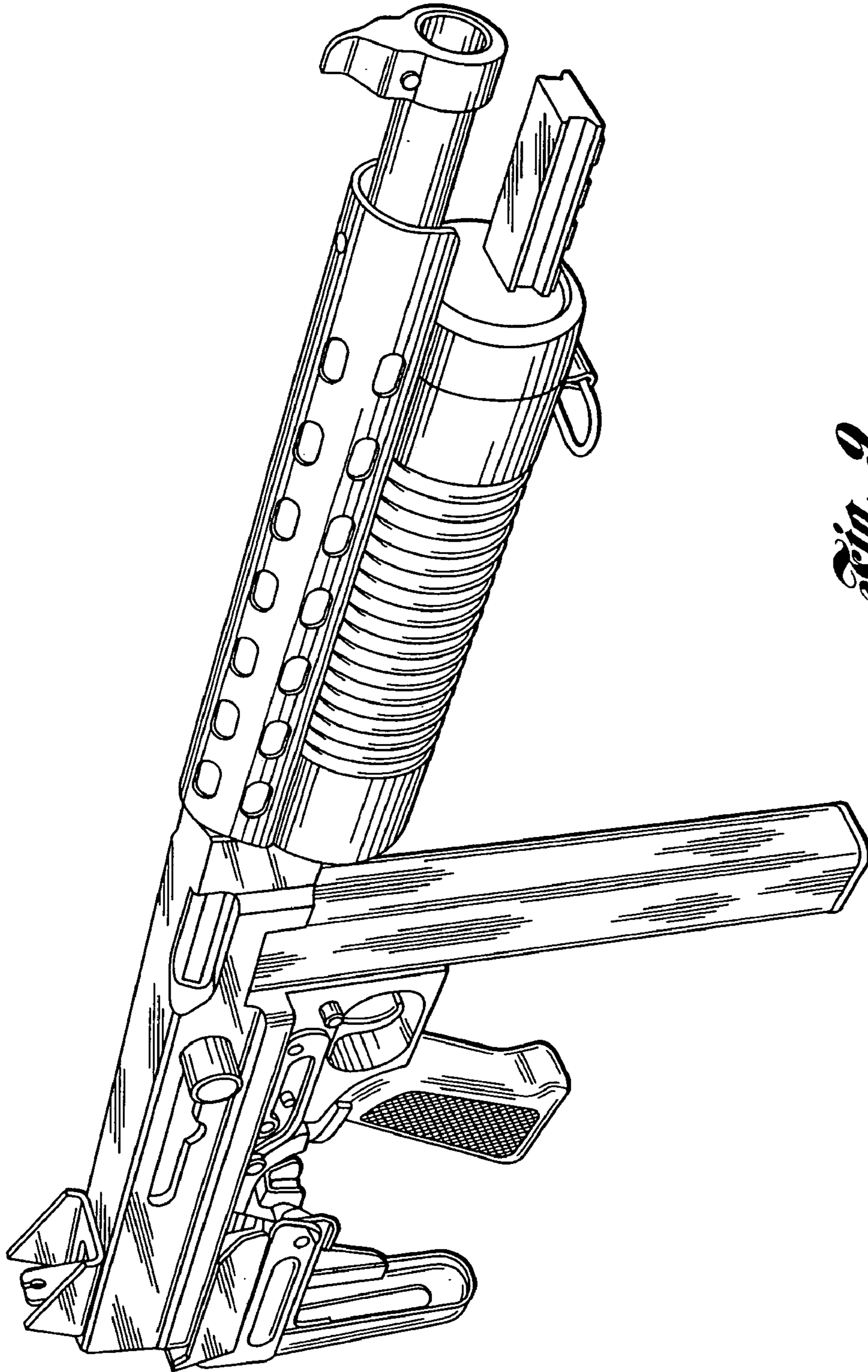


Fig. 9

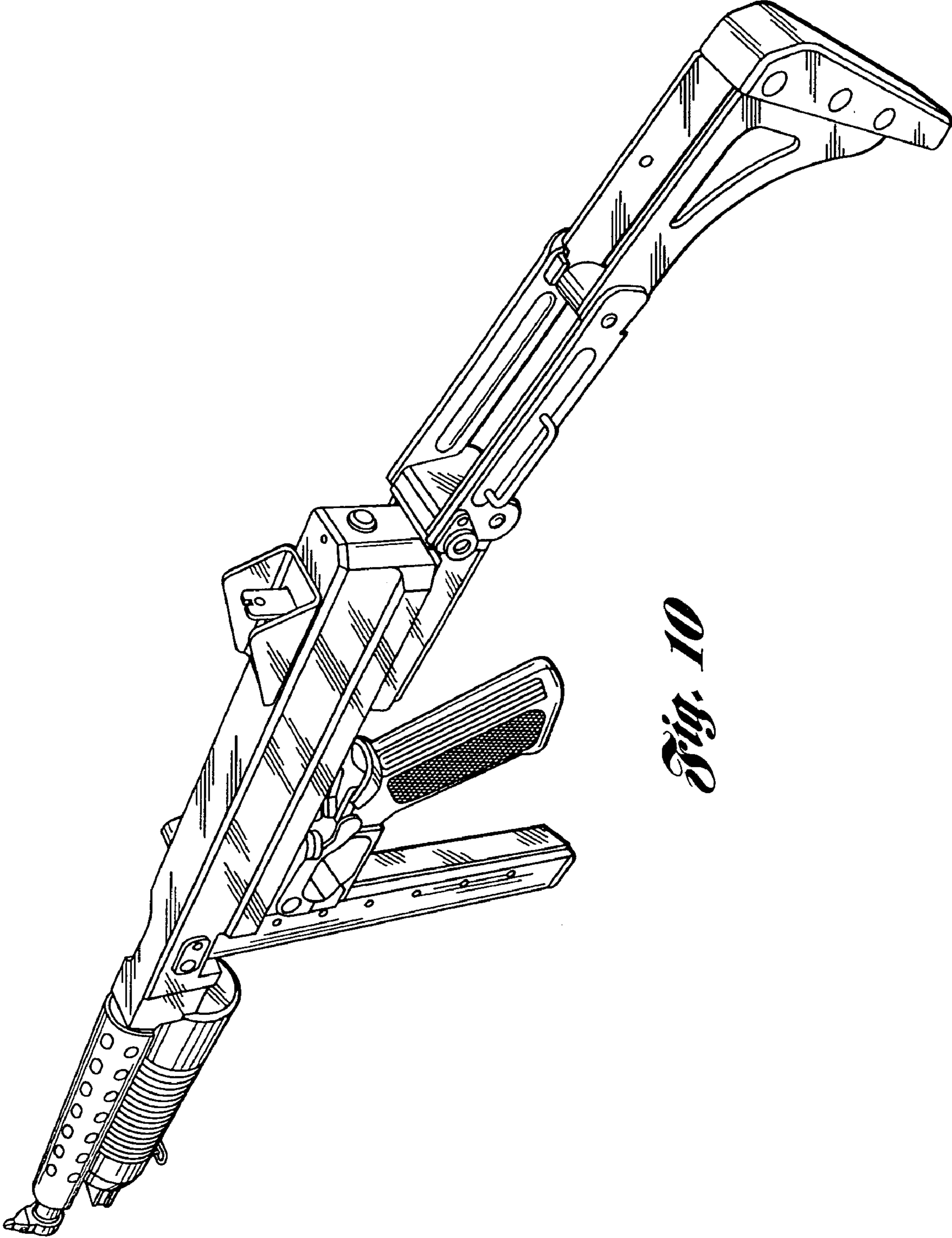


Fig. 10