



US00D551312S

(12) **United States Design Patent** (10) **Patent No.:** **US D551,312 S**
Al-Mulla (45) **Date of Patent:** **** Sep. 18, 2007**

(54) **RIFLE STOCK**

(76) Inventor: **Abdul Qader Al-Mulla**, Block 5, St. 57, House 15, Alrawda (KW)

(**) Term: **14 Years**

(21) Appl. No.: **29/255,356**

(22) Filed: **Mar. 8, 2006**

(51) **LOC (8) Cl.** **22-01**

(52) **U.S. Cl.** **D22/103; D22/108**

(58) **Field of Classification Search** D22/100-105, D22/108; 42/7, 18, 71.01, 74, 96, 70.11, 42/75.01

See application file for complete search history.

(56) **References Cited**

U.S. PATENT DOCUMENTS

2,439,137	A *	4/1948	Keller	42/71.01
D295,545	S *	5/1988	Bell	D22/103
D322,115	S *	12/1991	Custred	D22/103
D375,777	S *	11/1996	Whittlesey	D22/108
6,318,014	B1 *	11/2001	Porter	42/72

* cited by examiner

Primary Examiner—Ian Simmons
Assistant Examiner—Melanie Levy
(74) *Attorney, Agent, or Firm*—Lowe Hauptman & Berner, LLP

(57) **CLAIM**

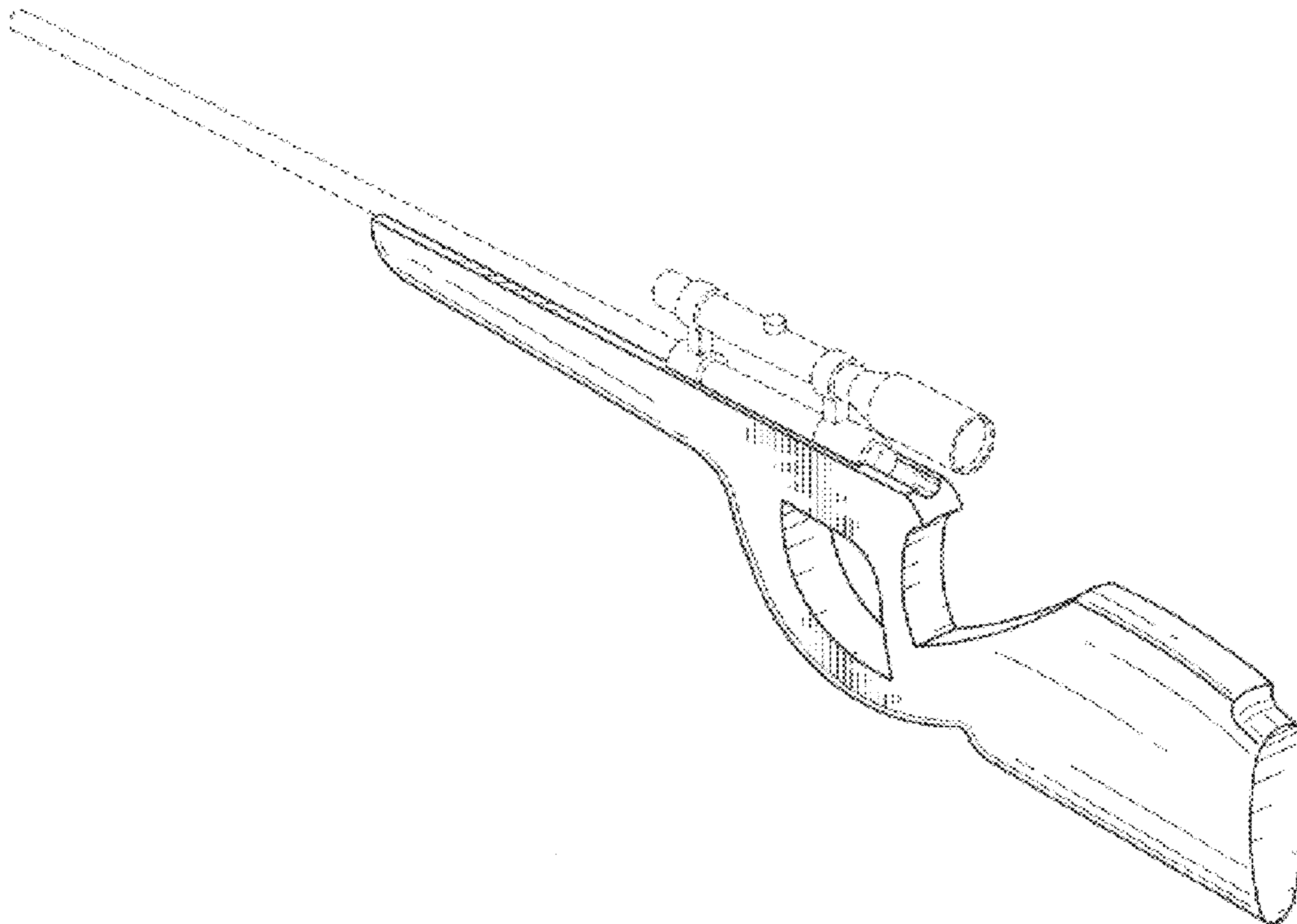
I claim the ornamental design for a rifle stock, as shown and described.

DESCRIPTION

FIG. 1 is a perspective view of a rifle stock showing my new design;
FIG. 2 is a right side elevational view thereof;
FIG. 3 is a top plan view thereof;
FIG. 4 is a front elevational view thereof;
FIG. 5 is a left side elevational view thereof;
FIG. 6 is a rear elevational view thereof; and,
FIG. 7 is a bottom plan view thereof.

The broken lines are for illustrative purposes only and form no part of the claimed design.

1 Claim, 2 Drawing Sheets



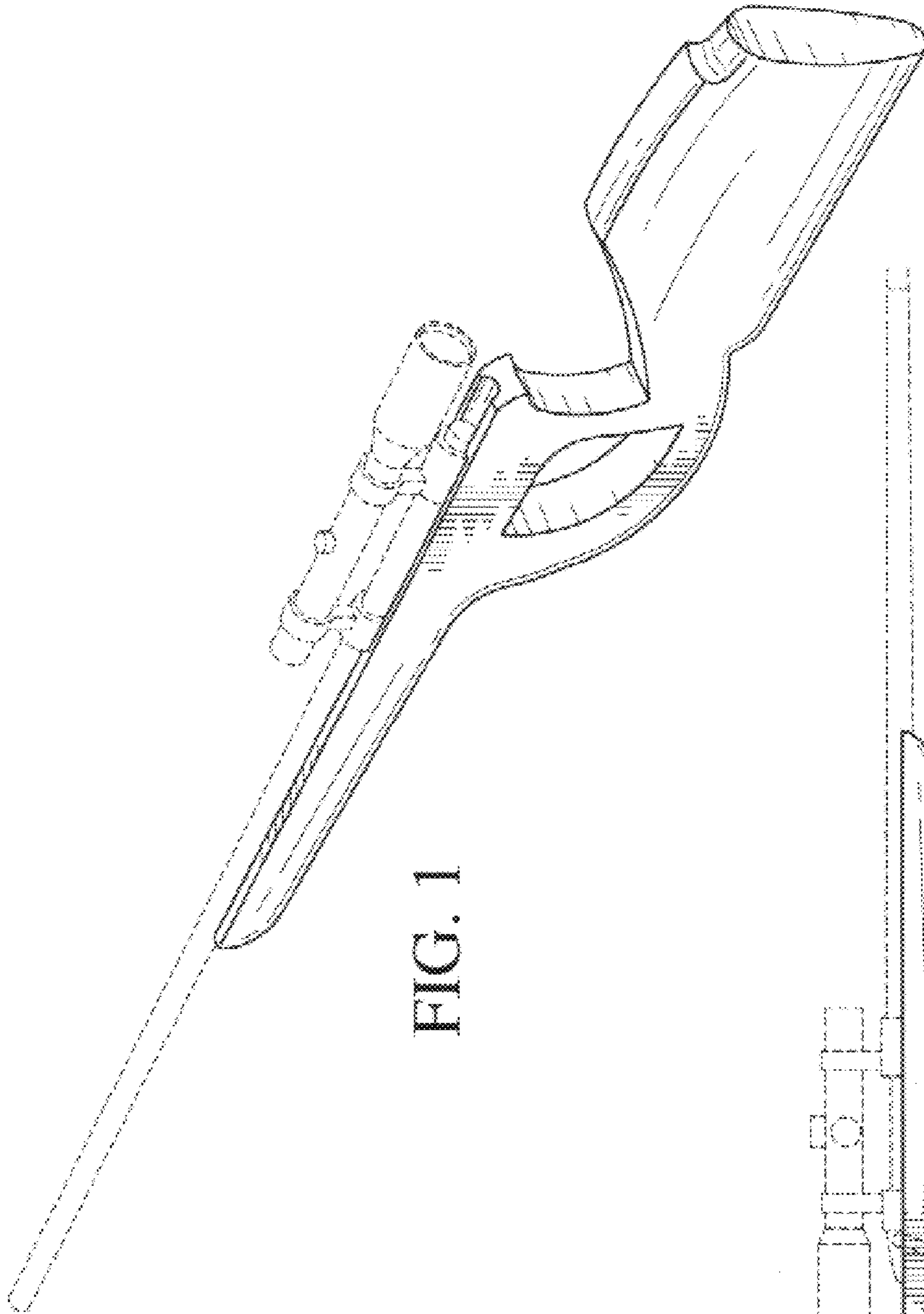


FIG. 1

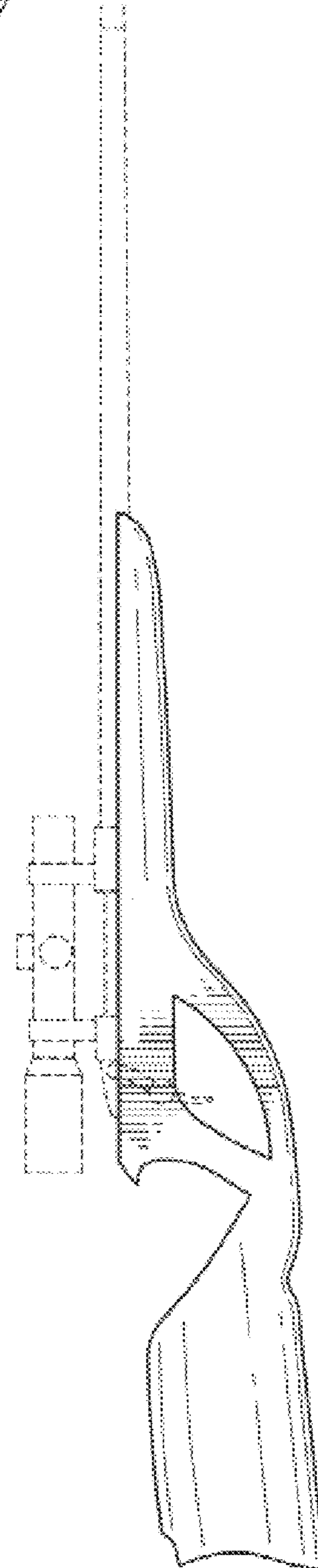


FIG. 2

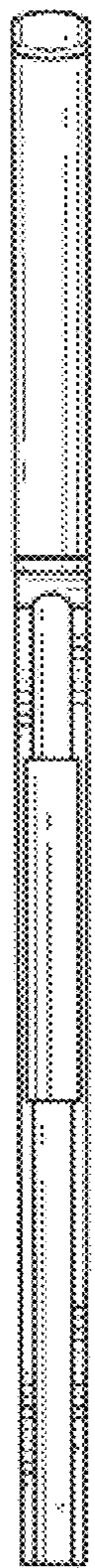


FIG. 3

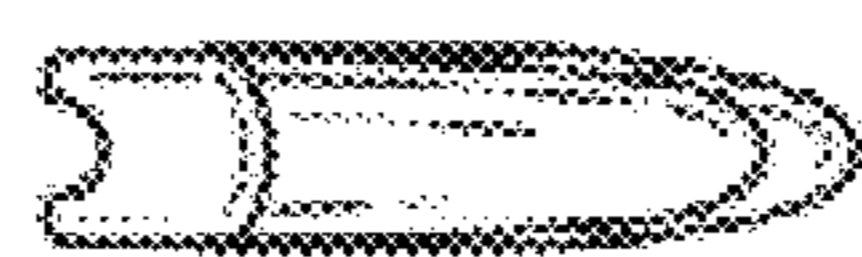


FIG. 4

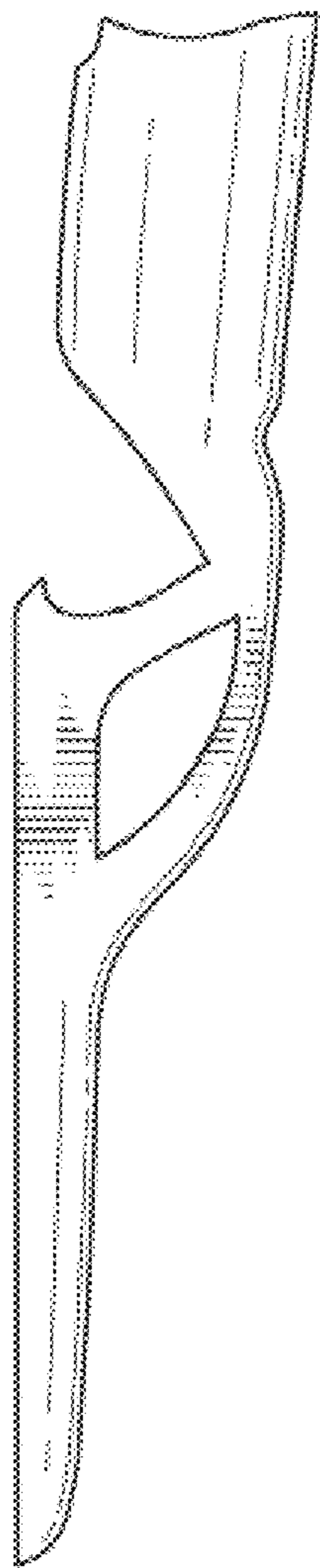


FIG. 5



FIG. 6



FIG. 7