



US00D551310S

(12) **United States Design Patent** (10) **Patent No.:** **US D551,310 S**  
**Kuan et al.** (45) **Date of Patent:** **\*\* Sep. 18, 2007**

(54) **PORTION OF A GOLF CLUB HEAD**

D505,702 S \* 5/2005 Wood ..... D21/736  
D517,143 S \* 3/2006 Petsel et al. .... D21/742

(75) Inventors: **Jimmy Kuan**, West Covina, CA (US);  
**Christopher R. Cooper**, Orange, CA  
(US); **Michael Sandoval**, La Palma, CA  
(US); **Adam K. Sheldon**, Long Beach,  
CA (US); **Edward Mendoza**, Costa  
Mesa, CA (US); **Trent E. Garner**,  
Champaign, IL (US)

**OTHER PUBLICATIONS**

Jensen, C. and Halsel, J.D., *Fundamentals of Engineering  
Drawing*, Third Ed., Glisoncole Div., Macmillan/  
McGraw-Hill, New York, 1993 p. 67.

\* cited by examiner

(73) Assignee: **Roger Cleveland Golf Company, Inc.**,  
Huntington Beach, CA (US)

*Primary Examiner*—Mitchell Siegel

(74) *Attorney, Agent, or Firm*—Steptoe & Johnson LLP

(\*\*) Term: **14 Years**

(57) **CLAIM**

The ornamental design for a portion of a golf club head, as  
shown and described.

(21) Appl. No.: **29/259,322**

(22) Filed: **May 8, 2006**

**DESCRIPTION**

(51) **LOC (8) Cl.** ..... **21-02**

(52) **U.S. Cl.** ..... **D21/759**

(58) **Field of Classification Search** ..... D21/726,  
D21/736-746, 759; 473/324-331, 251-256,  
473/340-341

See application file for complete search history.

FIG. 1 is a perspective view of a portion of a golf club head,  
embodying the inventive design;  
FIG. 2 is a perspective view thereof;  
FIG. 3 is a front elevational view thereof;  
FIG. 4 is a top plan view thereof;  
FIG. 5 is a back elevational view thereof;  
FIG. 6 is a bottom plan view thereof; and,  
FIG. 7 is a side elevational view thereof.

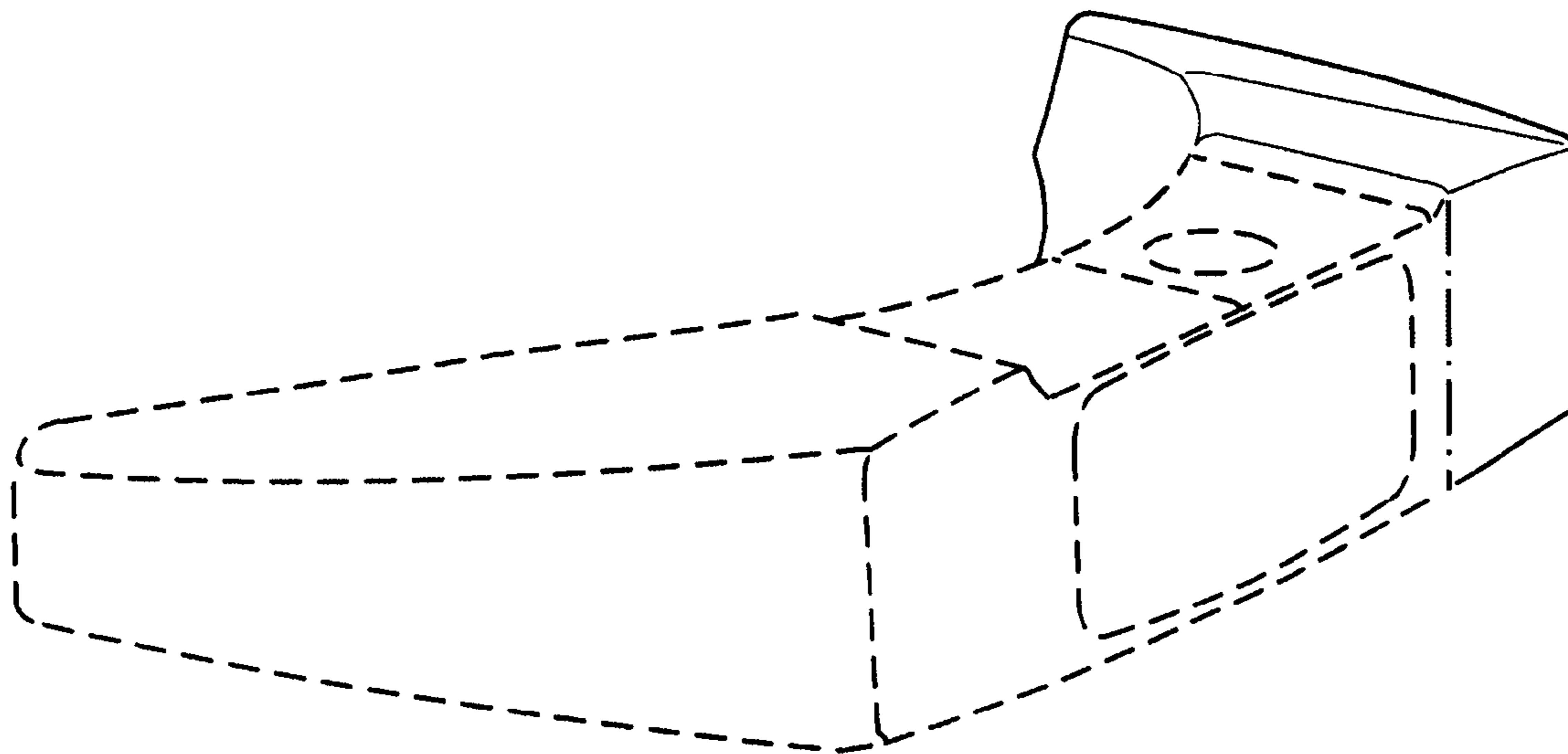
The broken lines represent the bounds of the claimed design  
and environmental elements only; the broken lines form no  
part of the claimed design. In another embodiment, the  
inventive design is the mirror image of that shown.

(56) **References Cited**

**U.S. PATENT DOCUMENTS**

D137,064 S \* 1/1944 Roberts ..... D21/726  
3,966,210 A \* 6/1976 Rozmus ..... 473/341  
D399,274 S \* 10/1998 Bradford ..... D21/736  
D422,041 S \* 3/2000 Bradford ..... D21/736  
D457,210 S \* 5/2002 Noda ..... D21/736

**1 Claim, 3 Drawing Sheets**



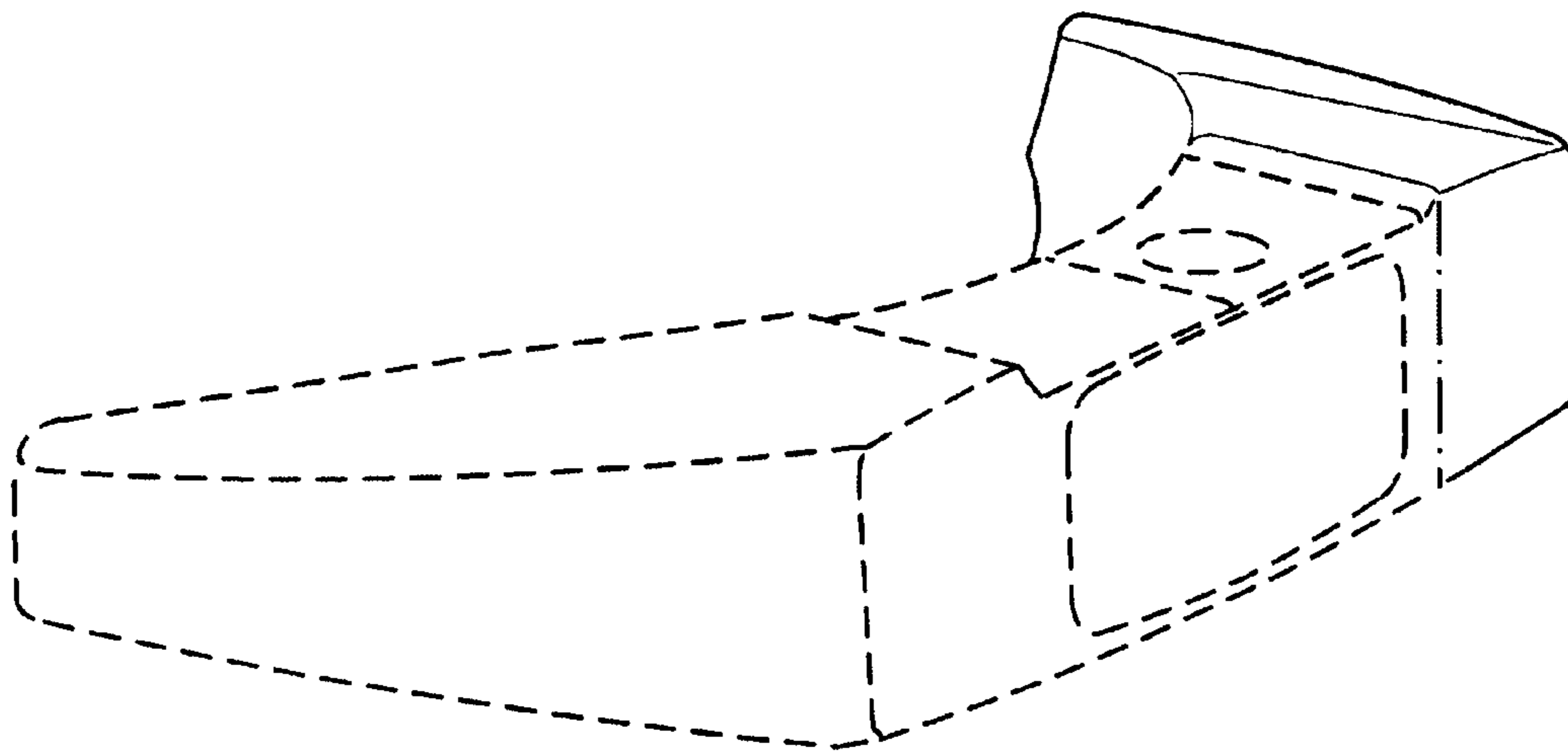


Fig. 1

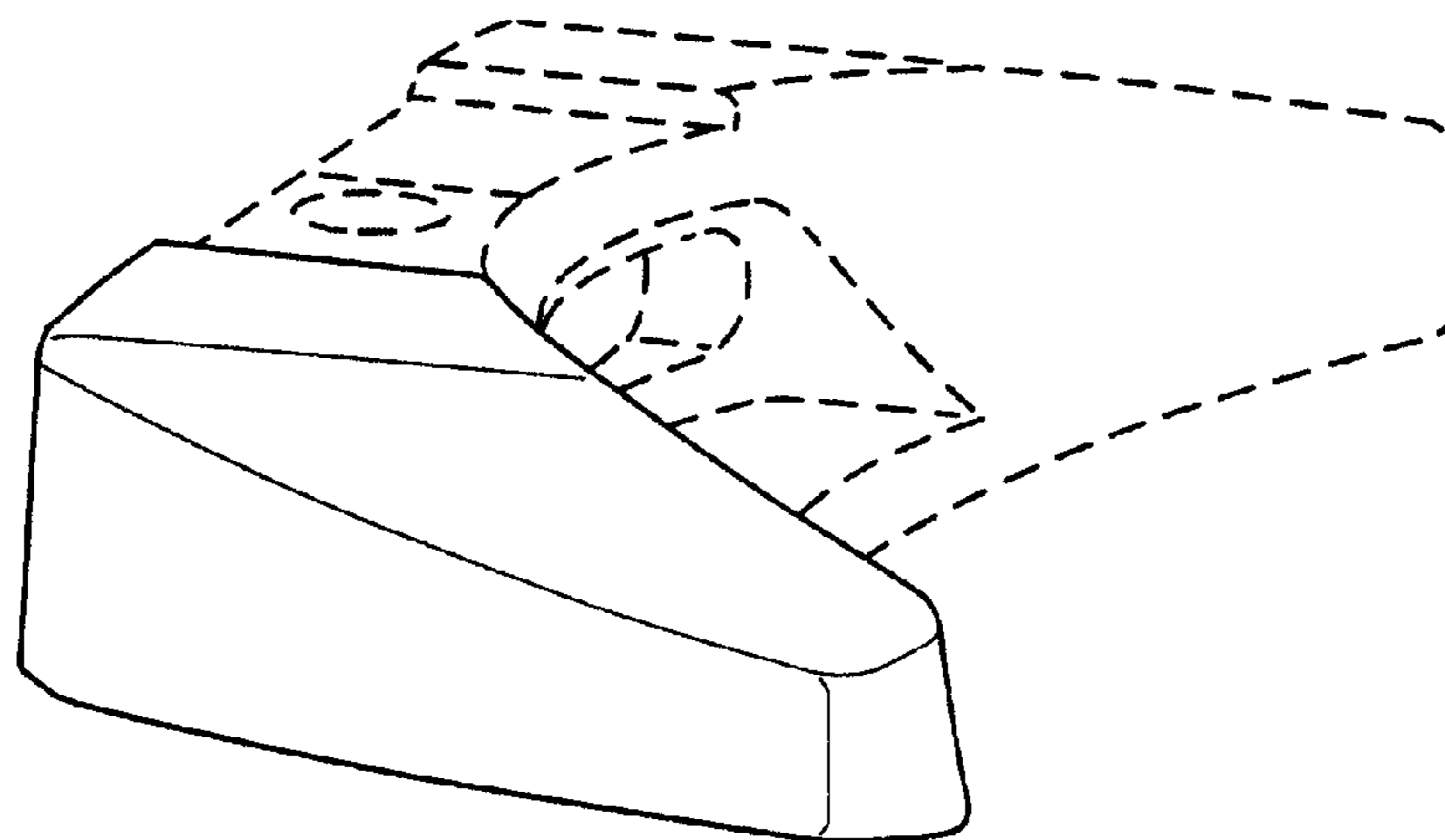


Fig. 2

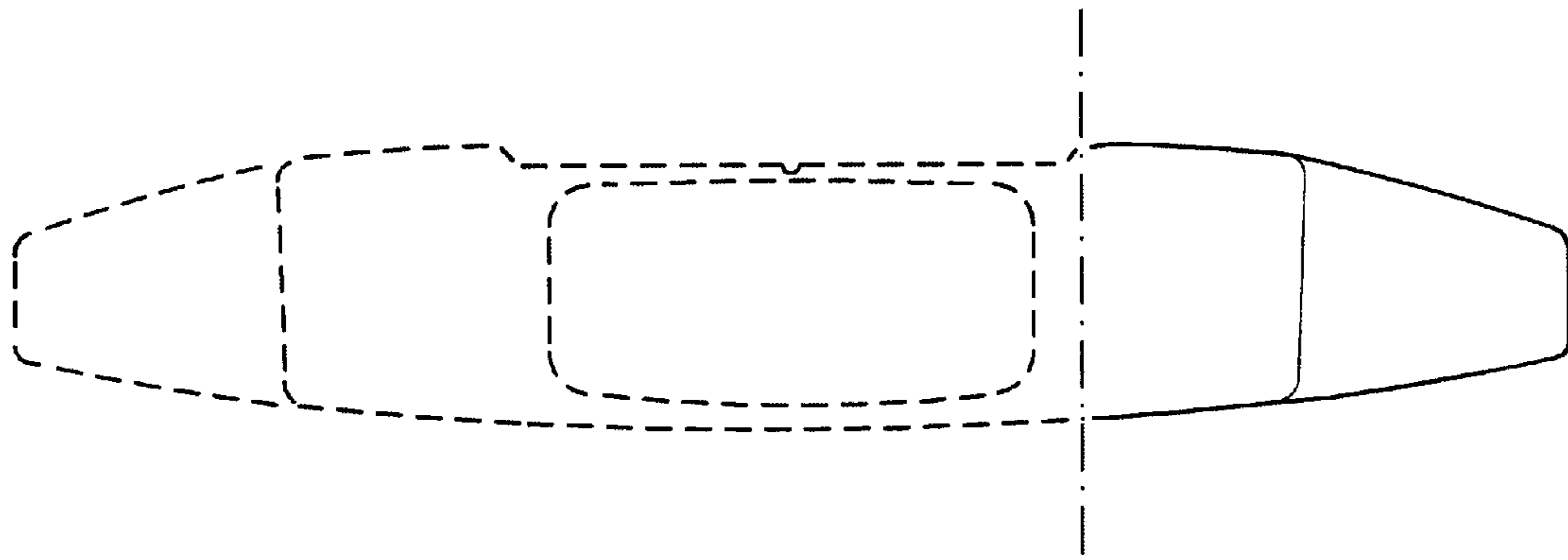


Fig. 3

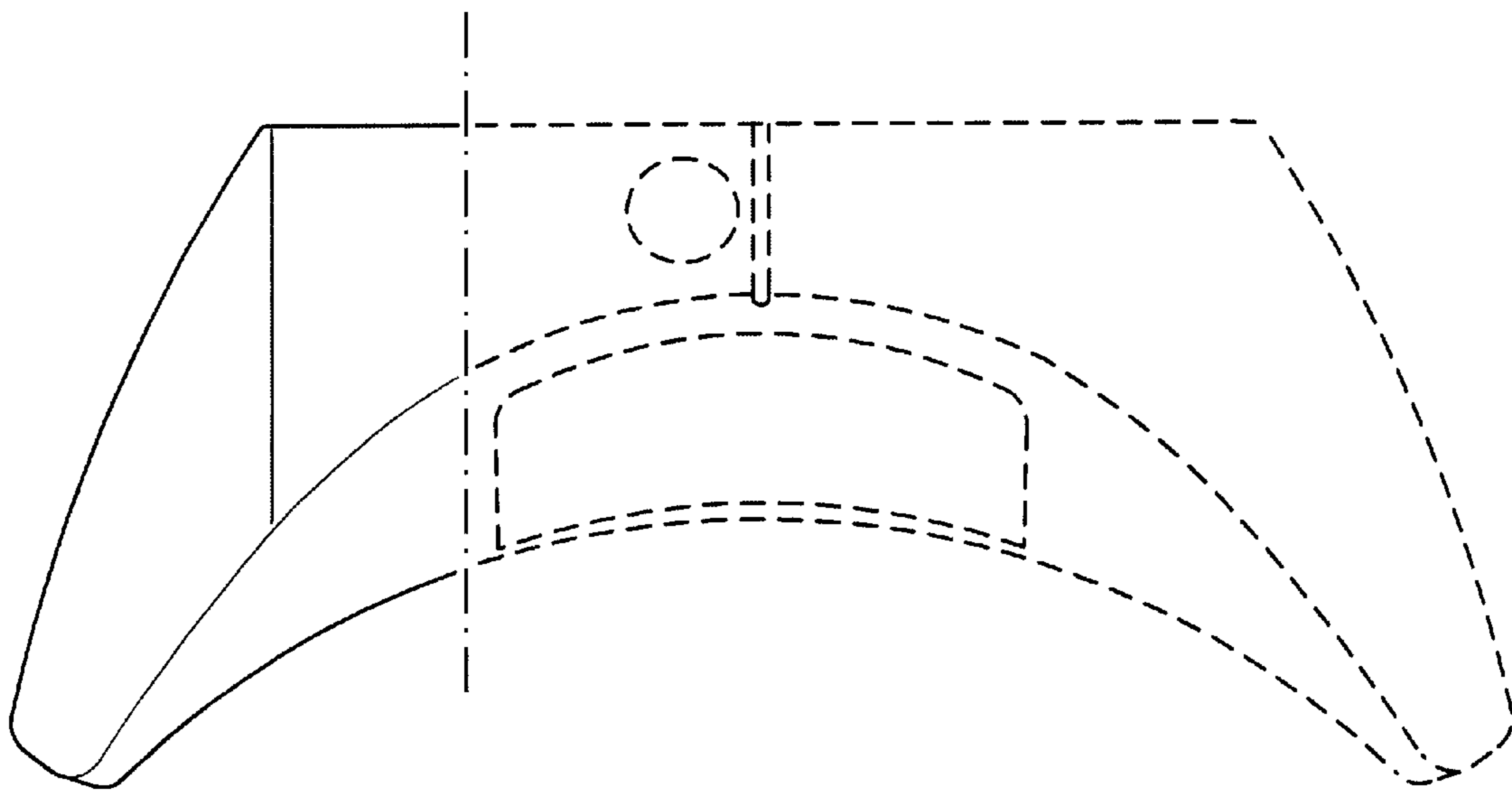


Fig. 4

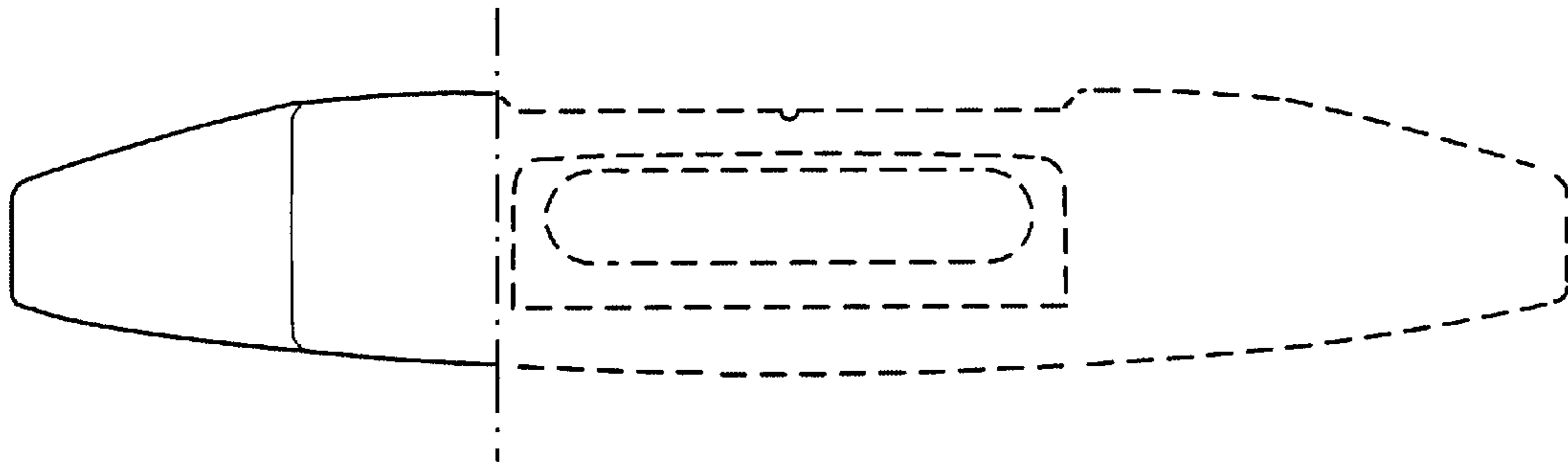


Fig. 5

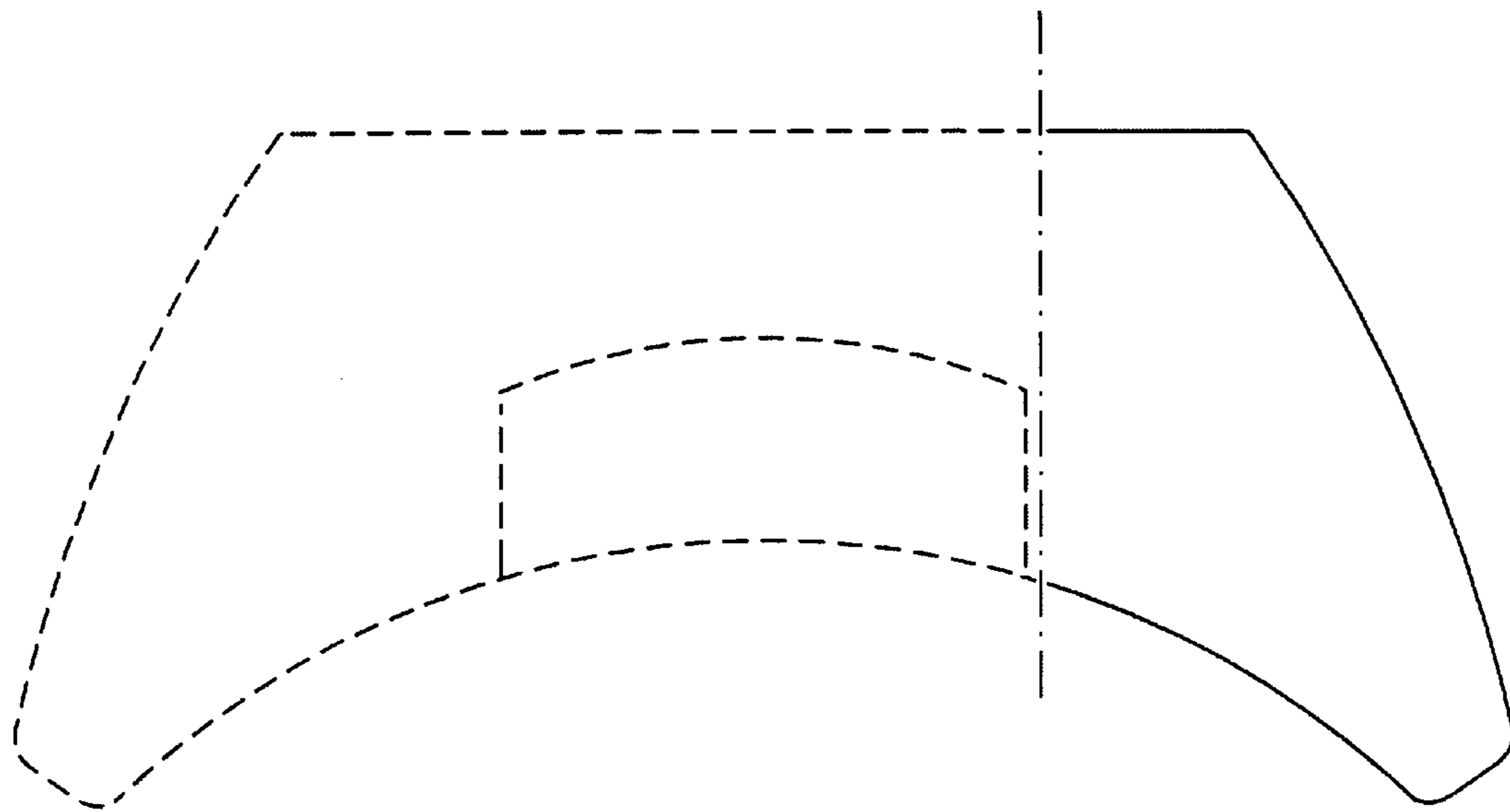


Fig. 6

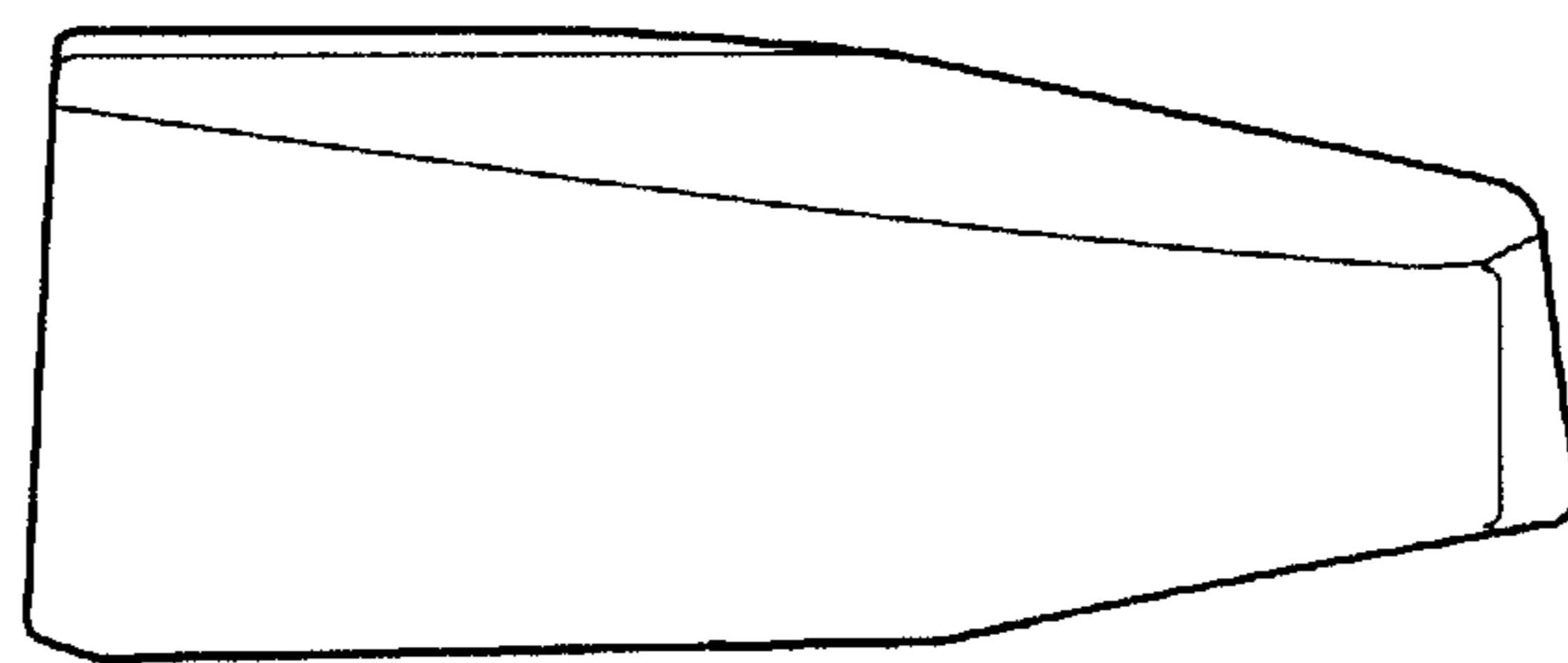


Fig. 7