



US00D551306S

(12) **United States Design Patent**
Rogers et al.

(10) **Patent No.:** **US D551,306 S**

(45) **Date of Patent:** **** Sep. 18, 2007**

(54) **PAIR OF HORIZONTAL WEIGHT ARM ASSEMBLIES FOR AN EXERCISE APPARATUS**

(75) Inventors: **Orley David Rogers**, Sanford, MI (US); **Kenneth Edward Staten**, Clare, MI (US)

(73) Assignee: **Rogers Athletic Company**, Clare, MI (US)

(**) Term: **14 Years**

(21) Appl. No.: **29/251,291**

(22) Filed: **Jan. 5, 2006**

(51) **LOC (8) Cl.** **21-02**

(52) **U.S. Cl.** **D21/694**

(58) **Field of Classification Search** D21/662,
D21/674, 675, 676, 694; 482/95, 96, 97,
482/104, 129, 130, 136, 137, 138, 133, 98,
482/142

See application file for complete search history.

(56) **References Cited**

U.S. PATENT DOCUMENTS

4,861,024	A	8/1989	Lee	
D321,025	S *	10/1991	Jones	D21/676
D321,026	S *	10/1991	Jones	D21/676
D321,027	S *	10/1991	Jones	D21/676
D321,028	S *	10/1991	Jones	D21/676
5,215,510	A	6/1993	Baran	
D347,041	S *	5/1994	Calderone	D21/694
5,509,876	A *	4/1996	Reyes	482/104
D370,950	S *	6/1996	Webber	D21/676
5,554,089	A *	9/1996	Jones	482/97
5,669,859	A	9/1997	Liggett et al.	
5,776,039	A *	7/1998	Perez, Jr.	482/97

5,810,701	A *	9/1998	Ellis et al.	482/136
D414,226	S *	9/1999	Kuo et al.	D21/676
6,203,474	B1 *	3/2001	Jones	482/97
D444,827	S	7/2001	Mobley	
6,447,433	B1 *	9/2002	Reyes	482/104
6,605,023	B1	8/2003	Mobley	
6,623,407	B2	9/2003	Novak et al.	
6,623,409	B1	9/2003	Abelbeck	
6,669,607	B2	12/2003	Slawinski et al.	

* cited by examiner

Primary Examiner—Philip S. Hyder

(74) *Attorney, Agent, or Firm*—Carlson, Gaskey & Olds

(57) **CLAIM**

We claim the ornamental design for a pair of horizontal weight arm assemblies for an exercise apparatus, as shown and described.

DESCRIPTION

FIG. 1 is a perspective view of a pair of horizontal weight arm assemblies for an exercise apparatus showing our new design;

FIG. 2 is a perspective view of the right hand horizontal weight arm assembly;

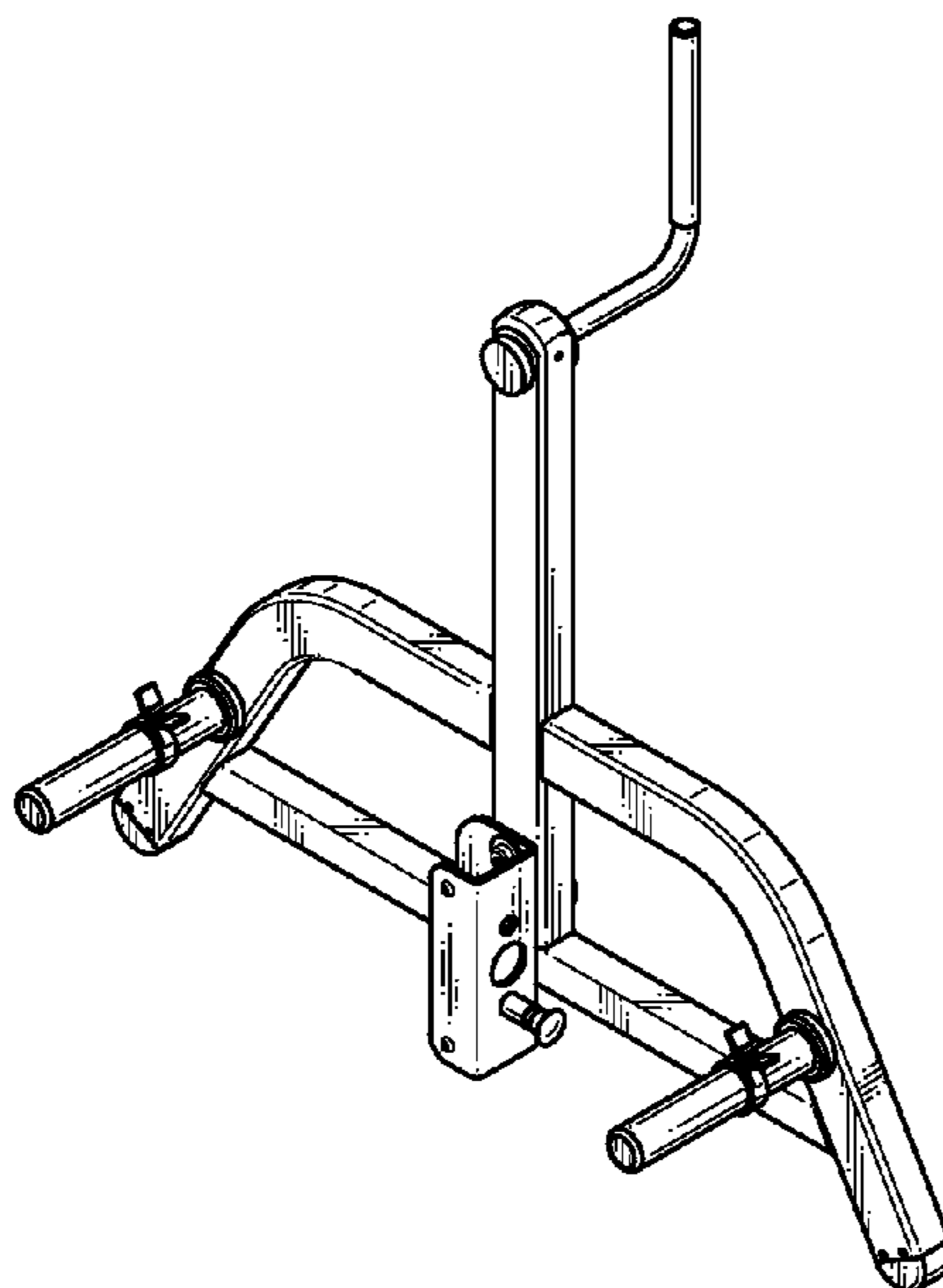
FIG. 3 is a side view of the right hand horizontal weight arm assembly;

FIG. 4 is a front view of the right hand horizontal weight arm assembly; and,

FIG. 5 is a top view of the right hand horizontal weight arm assembly.

The broken line showing of the exercise apparatus in FIG. 1 is included for the purpose of illustrating environmental structure and forms no part of the claimed design.

1 Claim, 2 Drawing Sheets



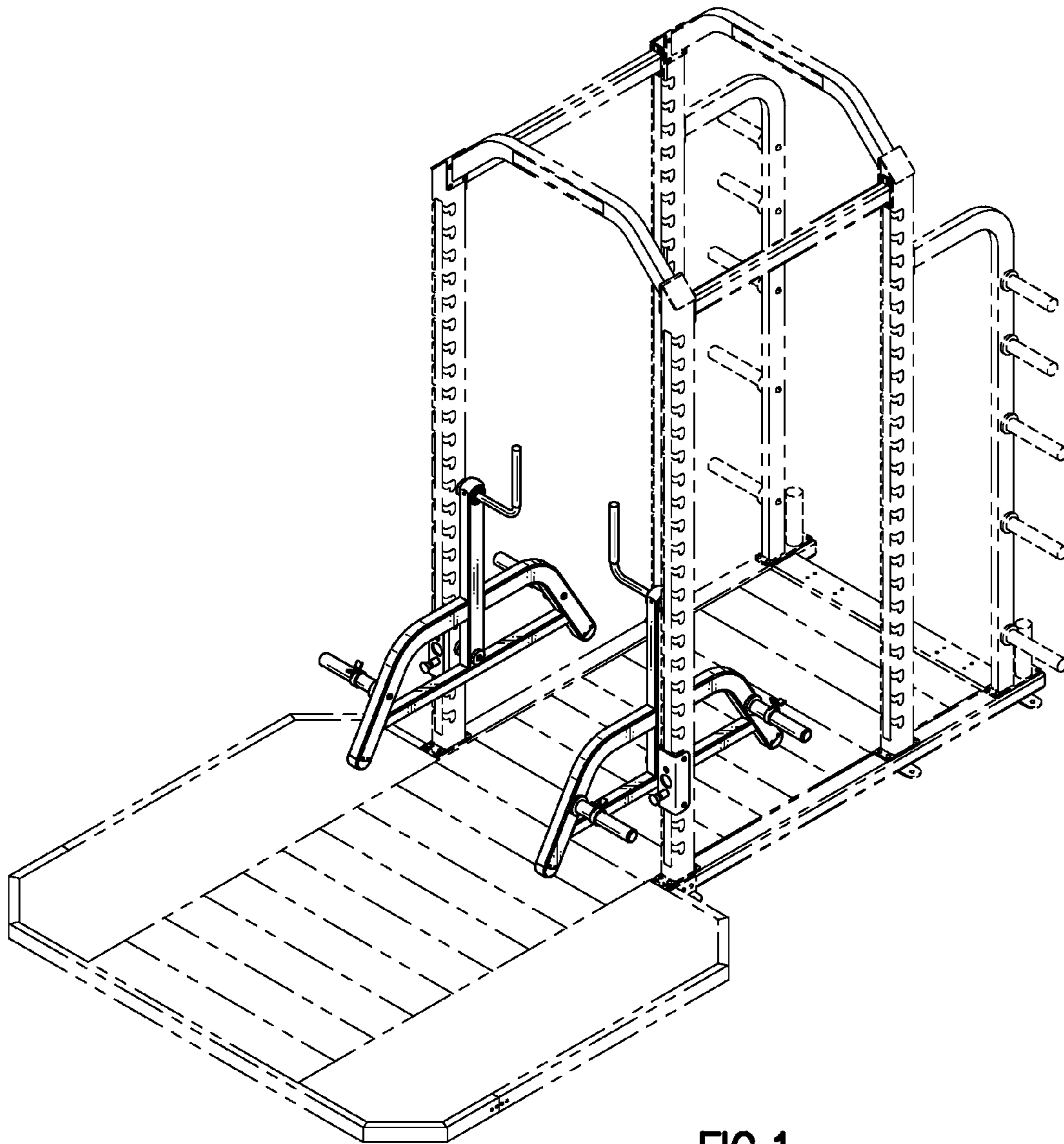


FIG. 1

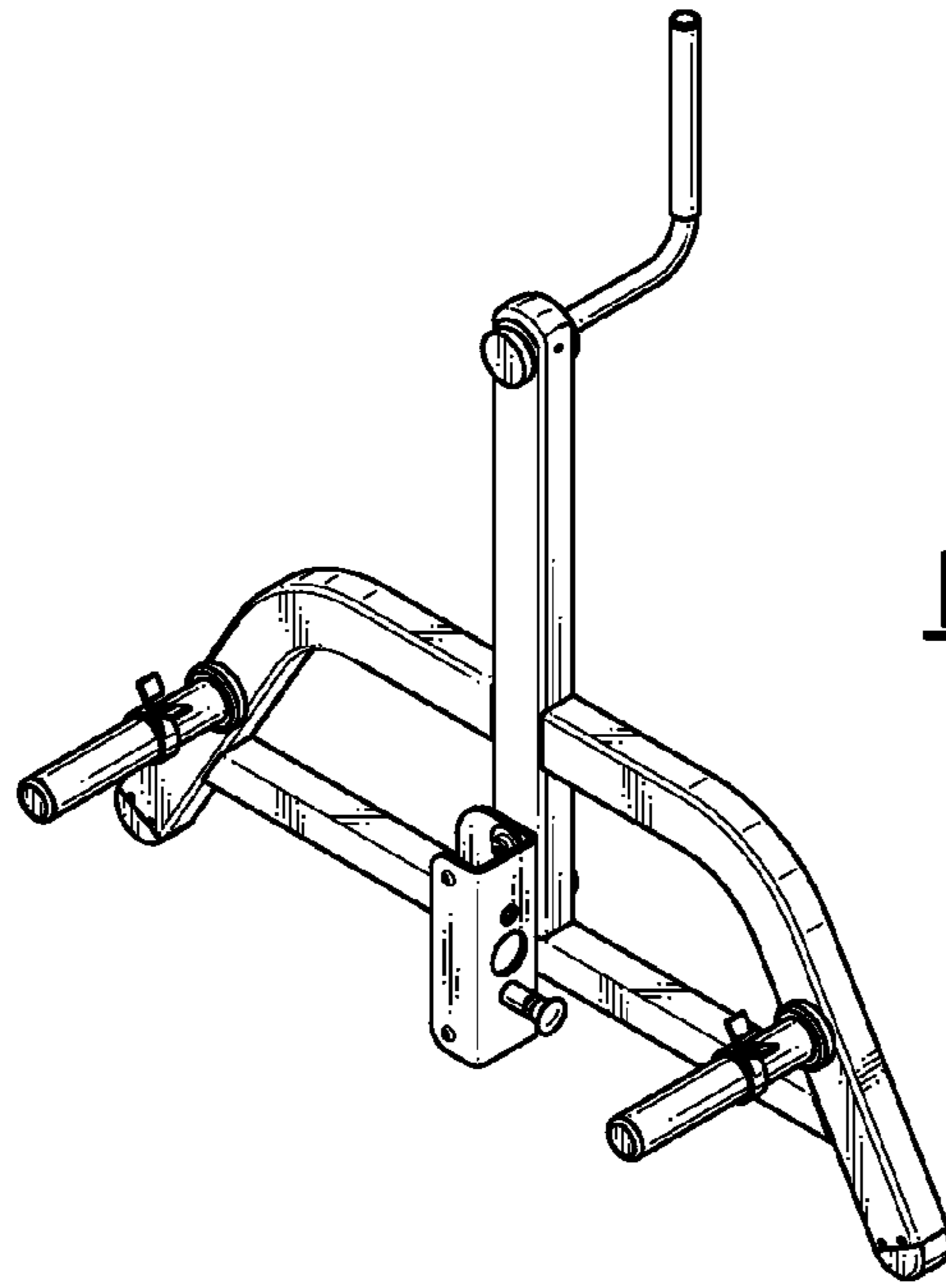


FIG. 2

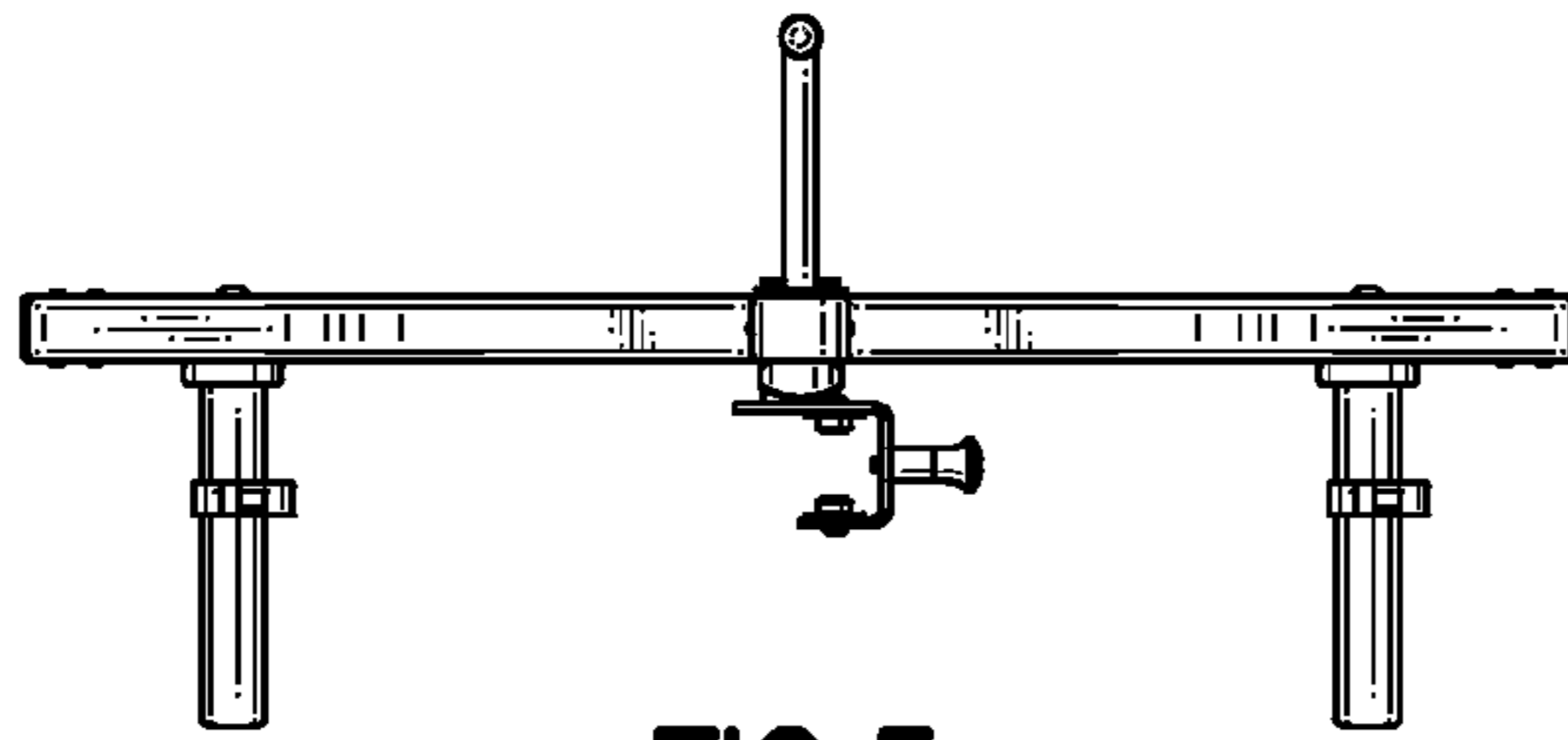


FIG. 5

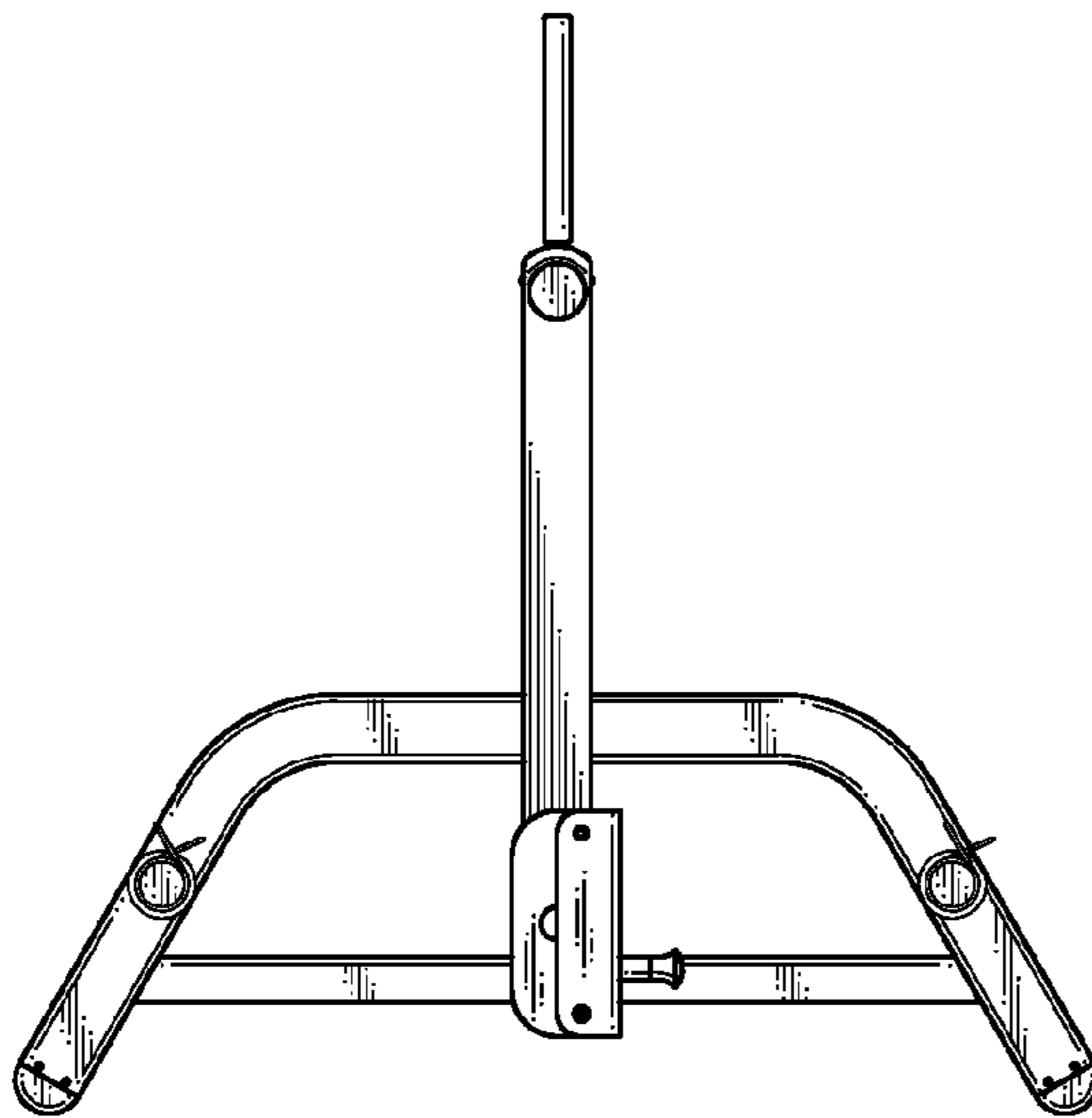


FIG. 3

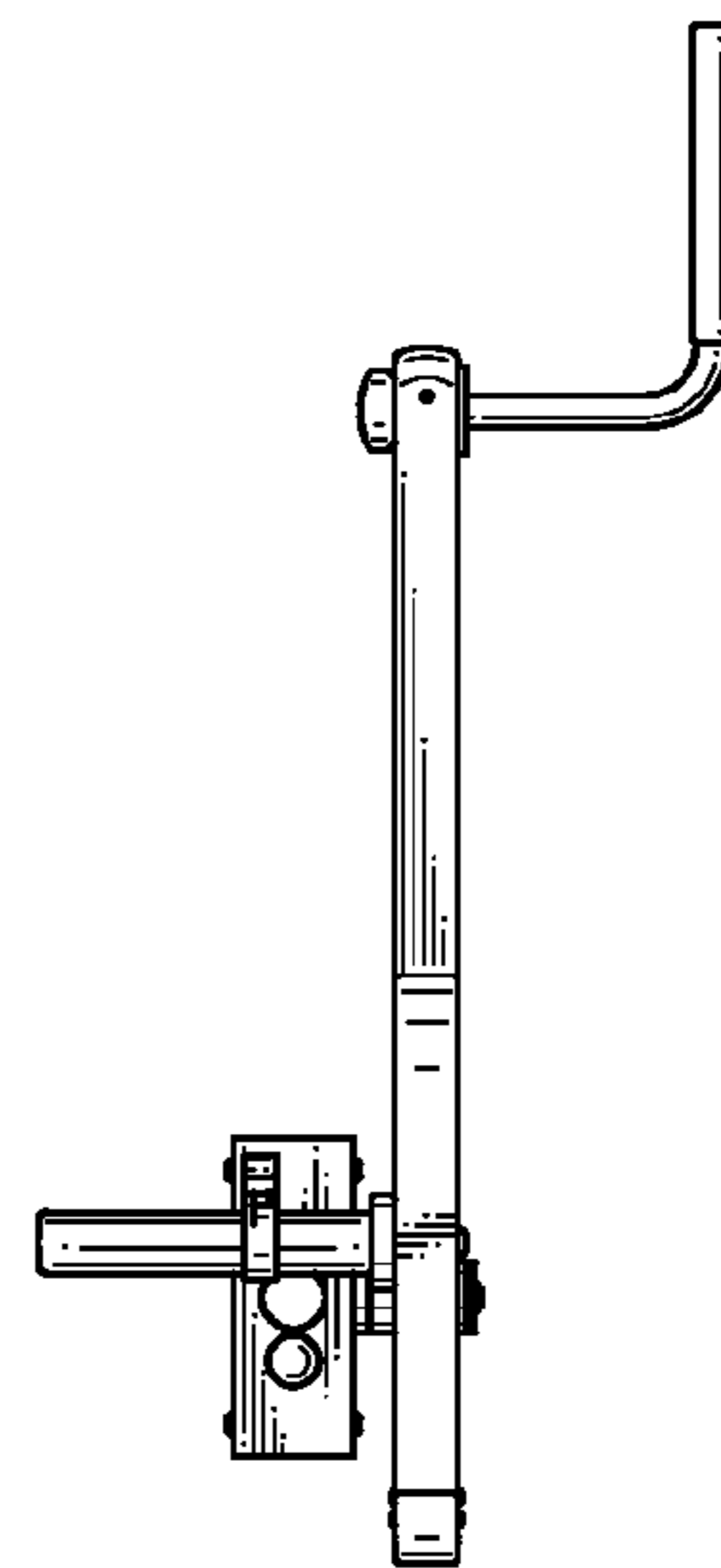


FIG. 4