



US00D551301S

(12) **United States Design Patent**
Eyckmans

(10) **Patent No.:** **US D551,301 S**

(45) **Date of Patent:** **** Sep. 18, 2007**

(54) **BALL GAME**

(76) Inventor: **Filip Eyckmans**, Calle Real 40, 29400 Ronda-Malaga (ES)

(**) Term: **14 Years**

(21) Appl. No.: **29/237,916**

(22) Filed: **Sep. 9, 2005**

(30) **Foreign Application Priority Data**

Mar. 10, 2005 (EM) 000307426

(51) **LOC (8) Cl.** **21-01**

(52) **U.S. Cl.** **D21/312; D21/799.1**

(58) **Field of Classification Search** D21/312, D21/314, 334, 799.1, 799.2; 273/108, 108.1, 273/118 R, 236, 241, 244, 287, 309

See application file for complete search history.

(56) **References Cited**

U.S. PATENT DOCUMENTS

- 2,111,339 A * 3/1938 Squires 473/475
- 4,176,842 A * 12/1979 Zaldivar 273/108.1
- 4,288,954 A * 9/1981 O'Donnell 52/233
- 5,029,862 A * 7/1991 Driska 273/119 R

- 5,342,050 A * 8/1994 Thompson 273/118 R
- 5,398,926 A * 3/1995 Skinner 473/475
- 5,782,046 A * 7/1998 Karlsson 52/233
- 6,023,895 A * 2/2000 Anderson 52/233
- D425,568 S * 5/2000 Muraki et al. D21/799.2
- 7,108,262 B2 * 9/2006 Giegerich 273/108
- 2005/0051950 A1 * 3/2005 Greene 273/118 R

* cited by examiner

Primary Examiner—Prabhakar Deshmukh

(74) *Attorney, Agent, or Firm*—Bacon & Thomas, PLLC

(57) **CLAIM**

The ornamental design for a ball game, as shown.

DESCRIPTION

FIG. 1 is a perspective view of a ball game showing my design;

FIG. 2 is a left view thereof;

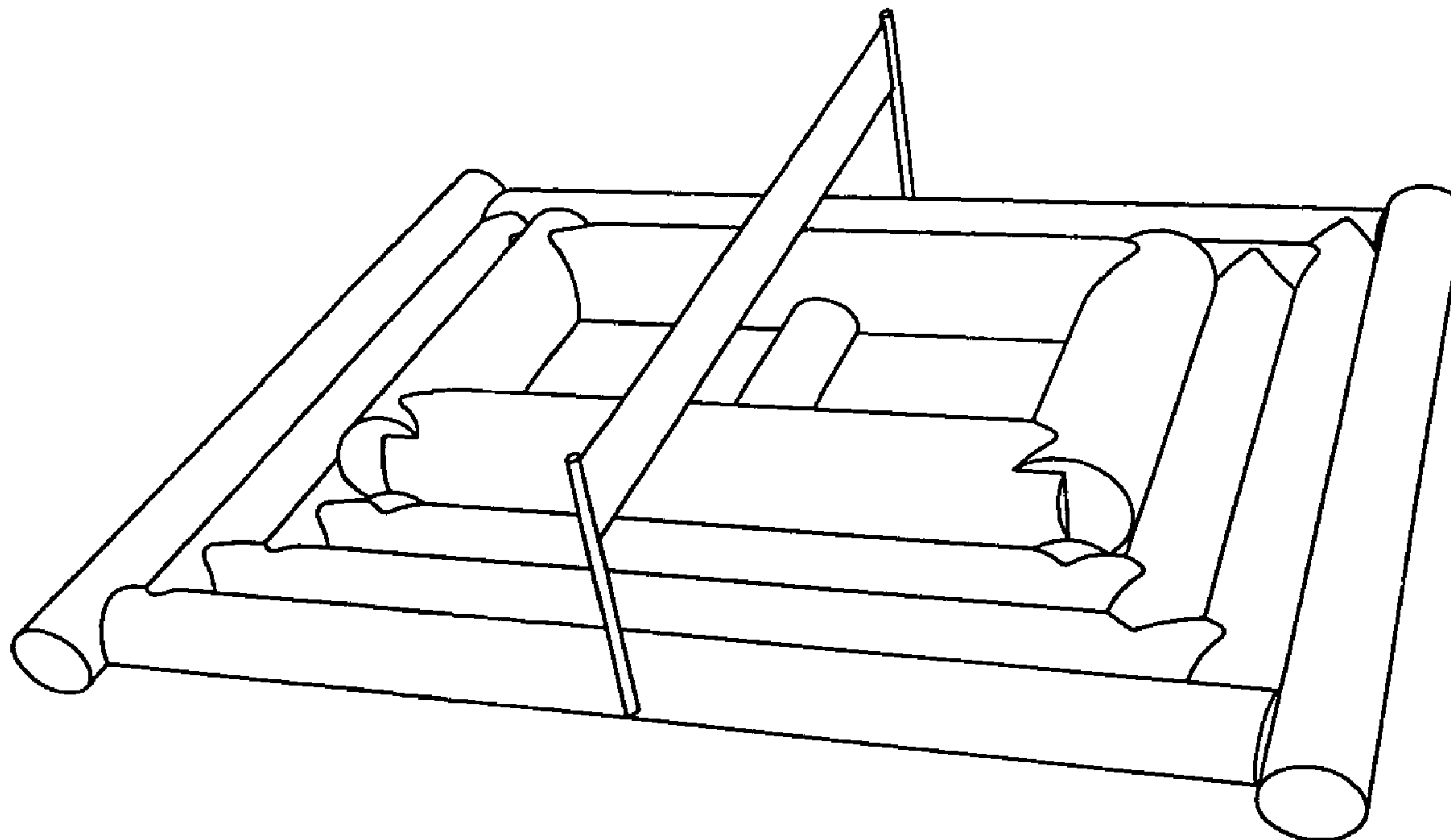
FIG. 3 is a right view thereof;

FIG. 4 is a top view thereof;

FIG. 5 is a front view thereof; and,

FIG. 6 is a rear view thereof.

1 Claim, 2 Drawing Sheets



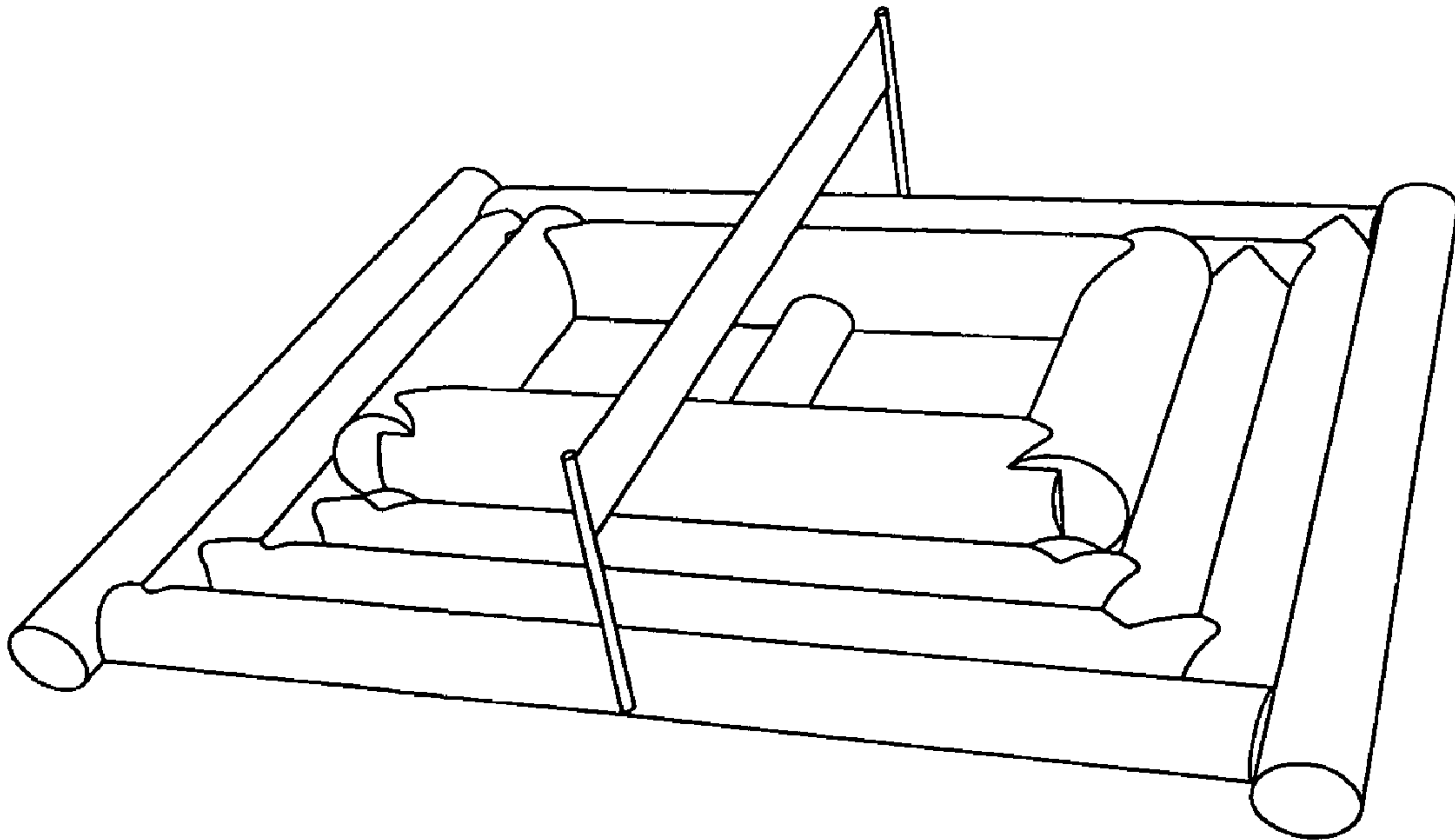


Fig. 1

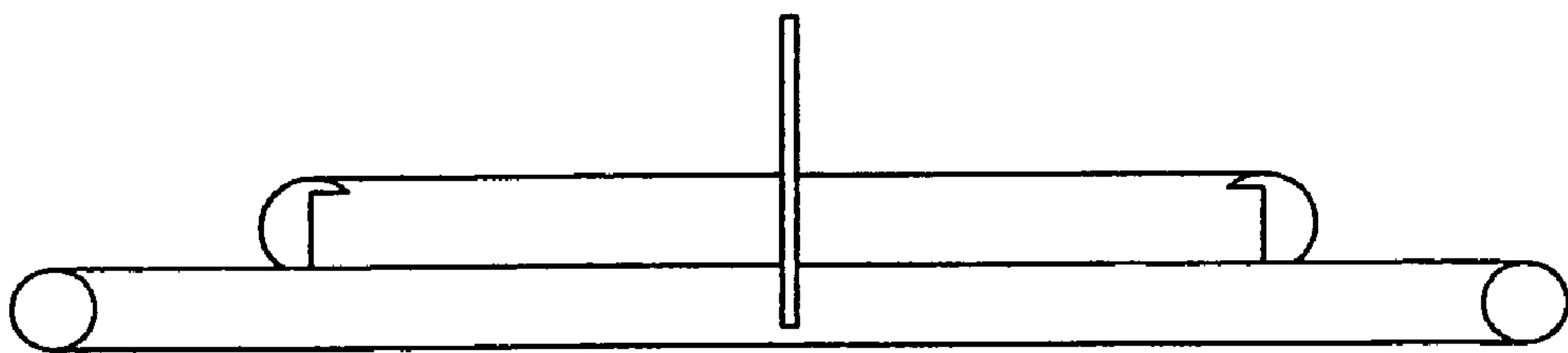


Fig. 2

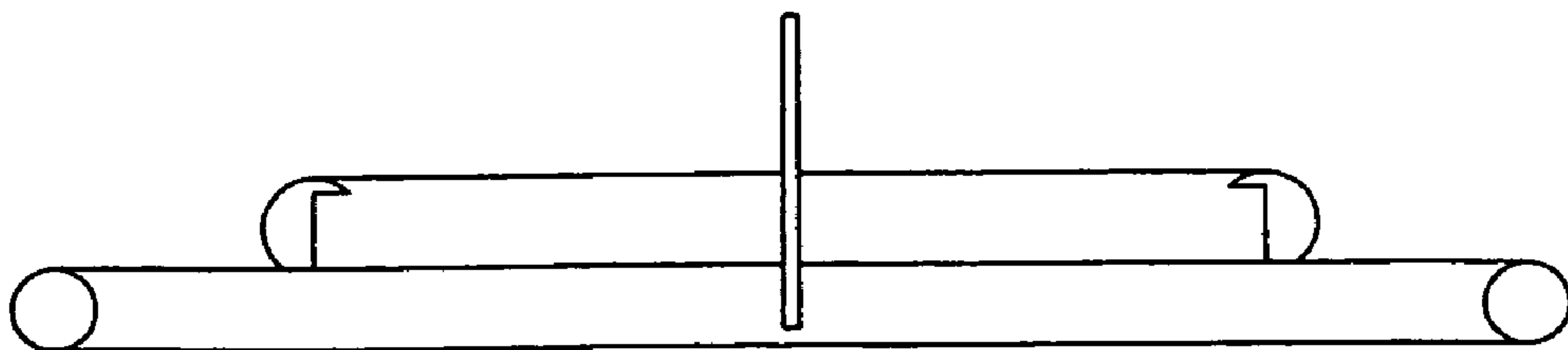


Fig. 3

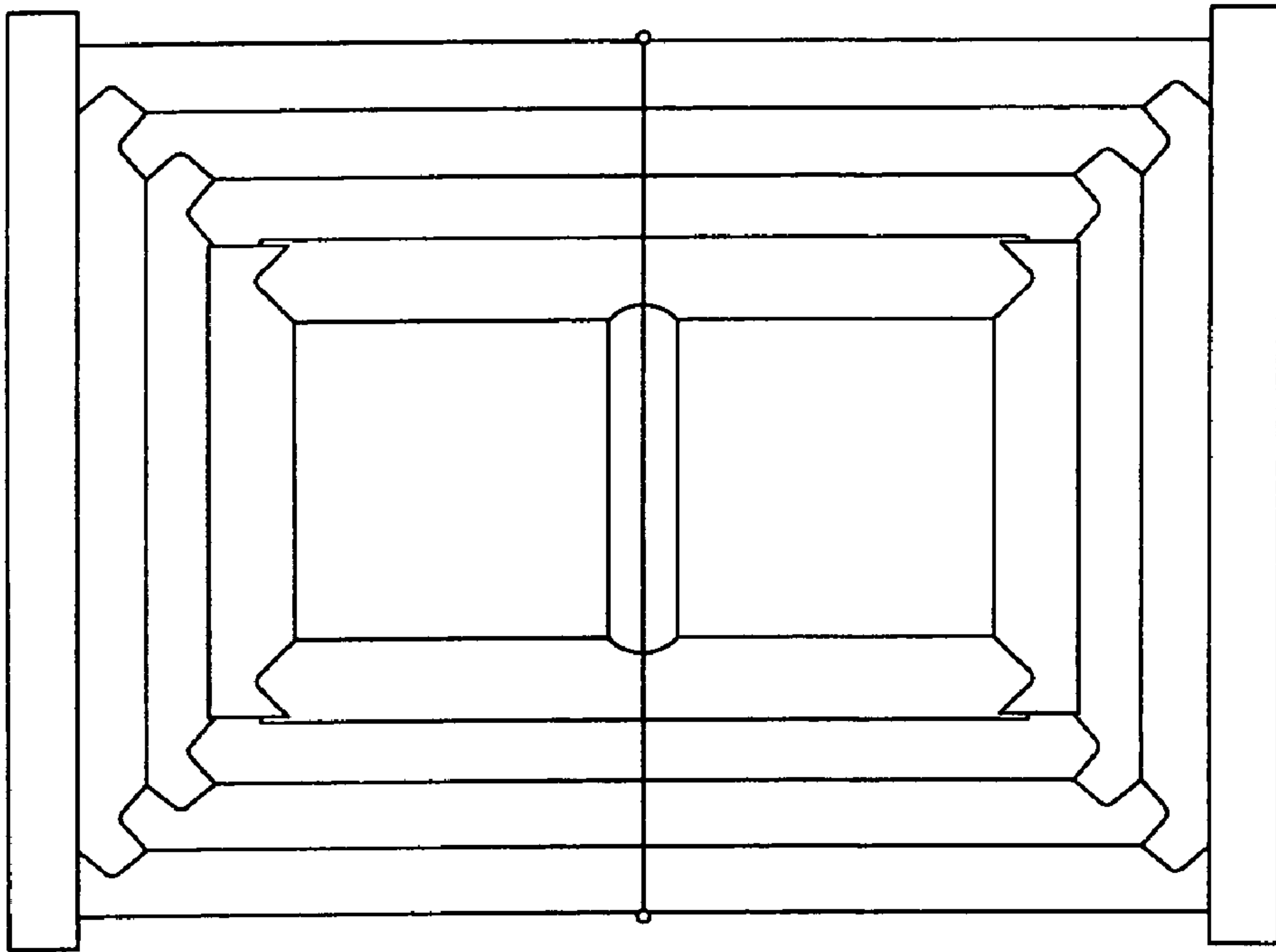


Fig. 4

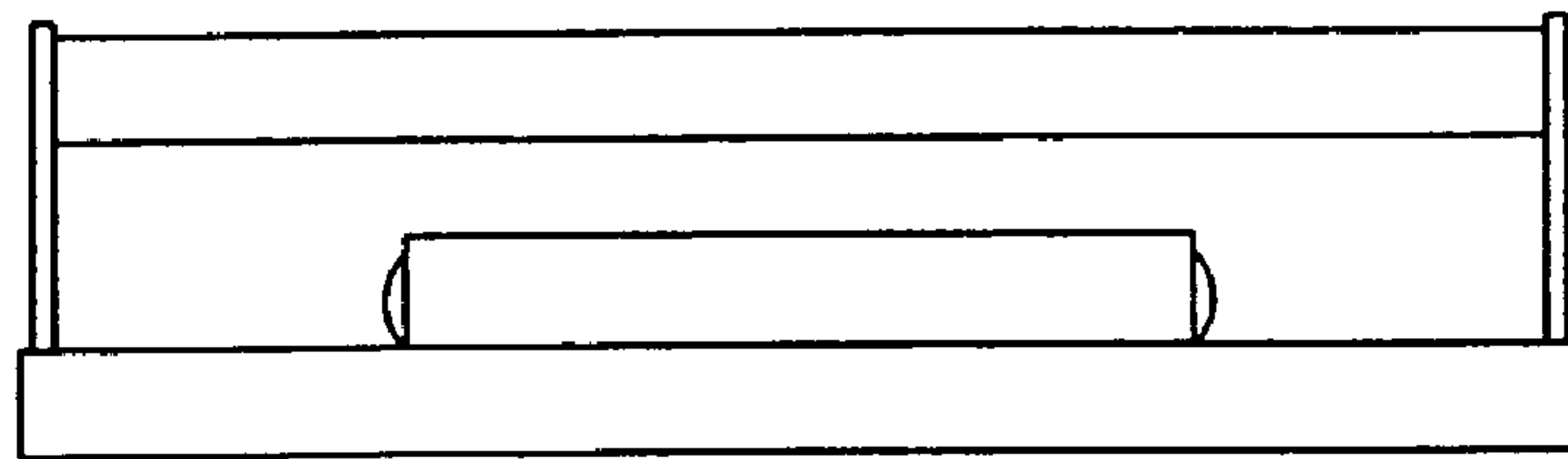


Fig. 5

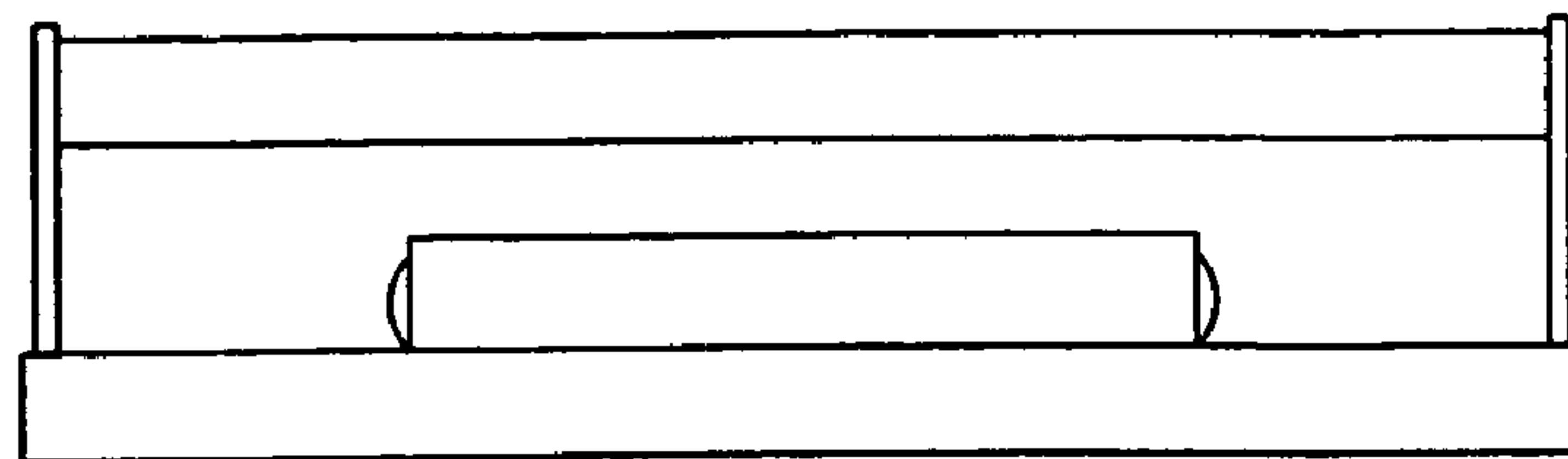


Fig. 6