



US00D551298S

(12) **United States Design Patent**
Hermance et al.

(10) **Patent No.: US D551,298 S**

(45) **Date of Patent: ** Sep. 18, 2007**

(54) **DESKTOP HOLE PUNCH**

(75) Inventors: **Benjamin Hermance**, Worcester, MA (US); **William Chura**, Medford, MA (US)

(73) Assignee: **Accentra, Inc.**, Newtown, PA (US)

(**) Term: **14 Years**

(21) Appl. No.: **29/252,487**

(22) Filed: **Jan. 23, 2006**

(51) **LOC (8) Cl.** **19-02**

(52) **U.S. Cl.** **D19/72**

(58) **Field of Classification Search** D8/49-51, D8/98, 105; D18/55; D19/65, 72, 73, 95, D19/99; 83/167, 465, 467, 550, 558, 560, 83/618, 620, 627, 628, 633, 687
See application file for complete search history.

(56) **References Cited**

U.S. PATENT DOCUMENTS

D189,384 S * 11/1960 Hohmann D19/72
D414,799 S * 10/1999 Cook et al. D18/55
D480,752 S * 10/2003 Tataro et al. D18/55

FOREIGN PATENT DOCUMENTS

GB 3007488 * 10/2002

OTHER PUBLICATIONS

Pictured of GBC Heavy Duty Electric Punch, #GBC9802349, dated Jan. 21, 2005 (1 page).*
ACCO Brands UK, "Rexel P225 Premium 2-Hole, 25-Sheet Punch," web page at URL: www.acco.co.uk.
ACCO-Rexel Ltd., Premium Hole Punch, 2-page brochure.

* cited by examiner

Primary Examiner—Elizabeth A. Albert

Assistant Examiner—Karen E. Eldridge Powers

(74) *Attorney, Agent, or Firm*—Paul Y. Feng; Fulwider Patton LLP

(57) **CLAIM**

The ornamental design for a desktop hole punch, as shown and described.

DESCRIPTION

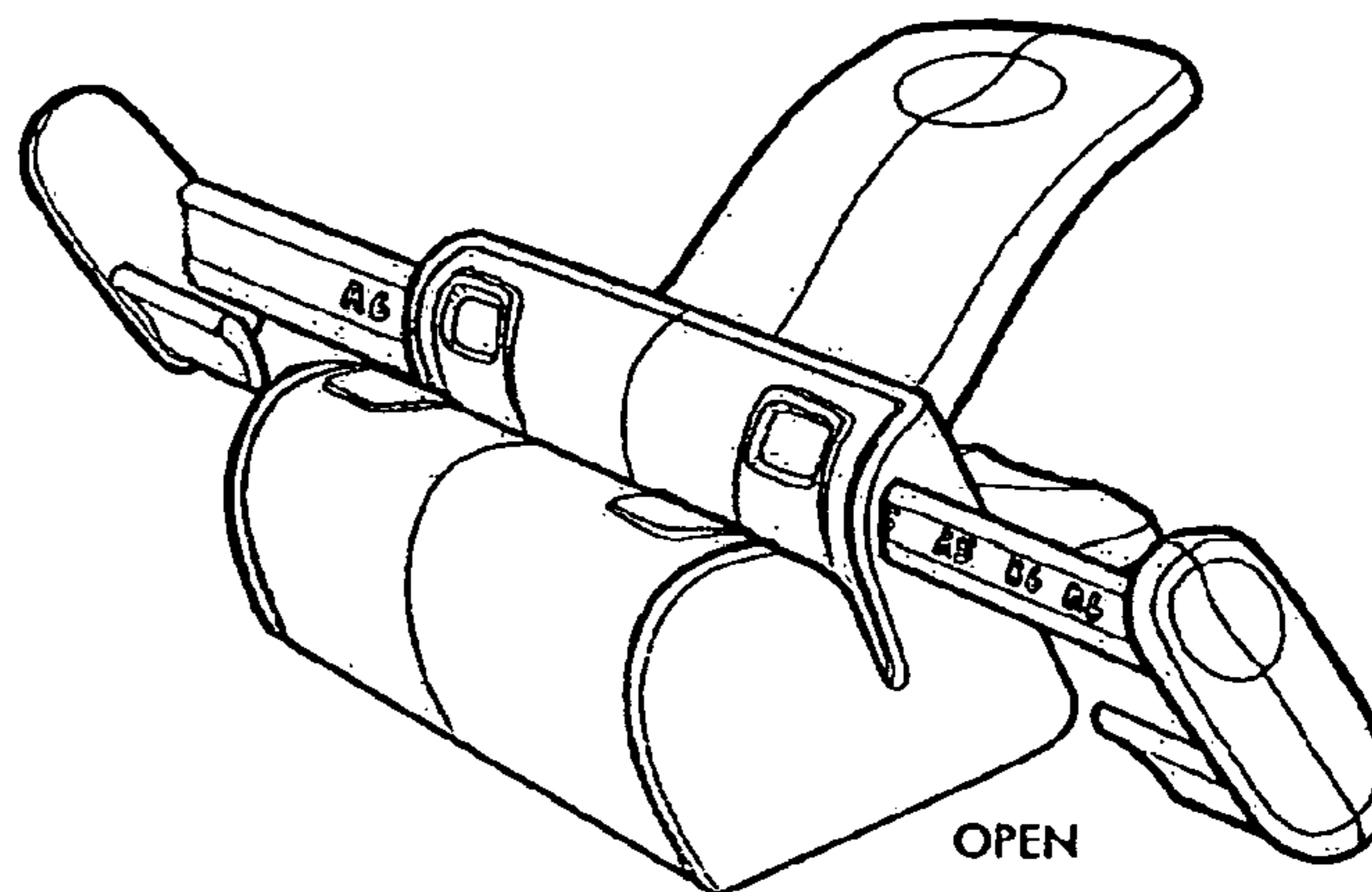
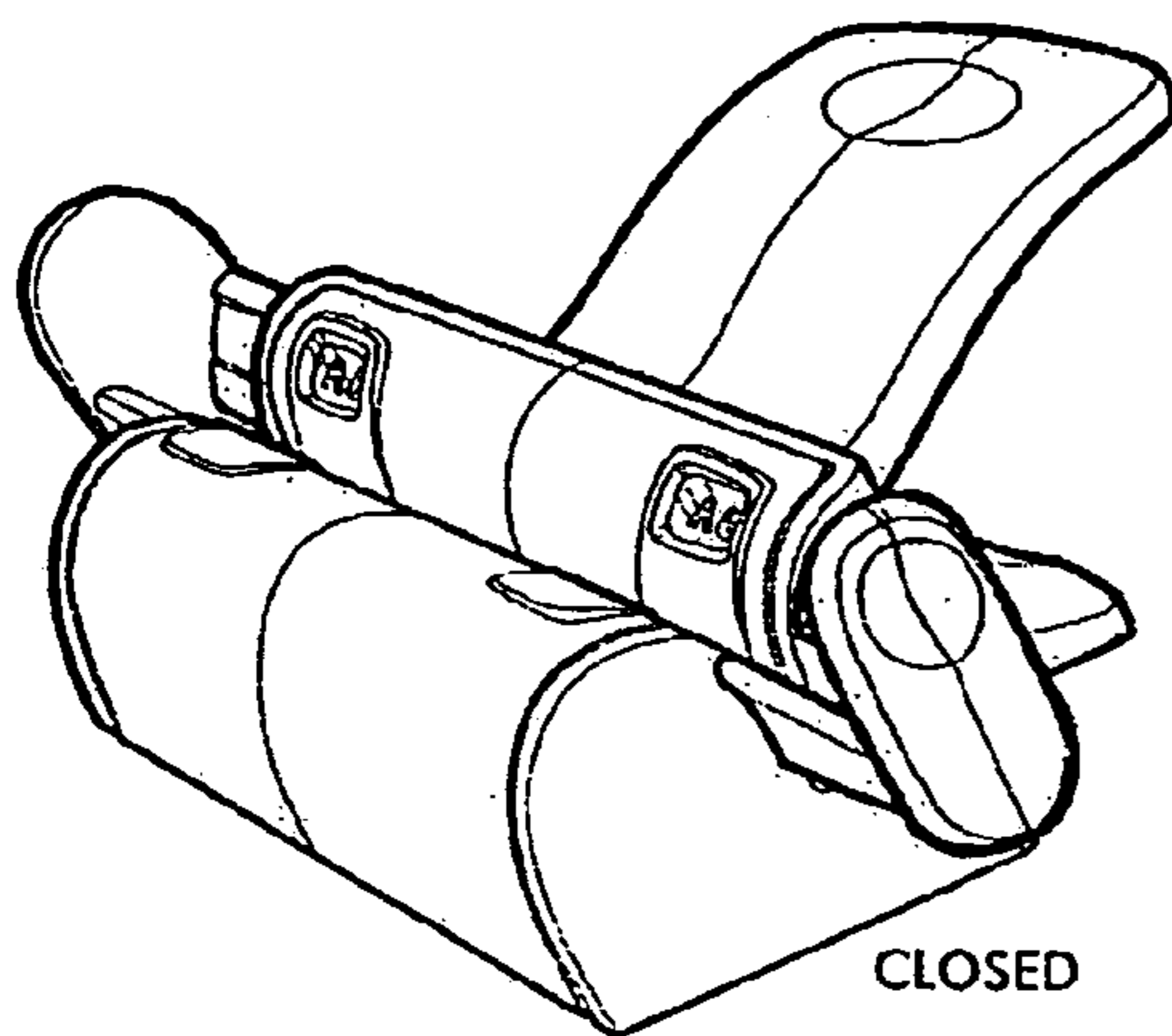
FIG. 1 is a front-side perspective view showing our new desktop hole punch with the paper guides in the retracted position, wherein the opposite side of the hole punch is identical to the side shown;

FIG. 2 is a front-side perspective view of the desktop hole punch of FIG. 1 wherein the paper guides are in the extended position;

FIG. 3 is a top plan view; and,

FIG. 4 is a rear-side perspective view.

1 Claim, 1 Drawing Sheet



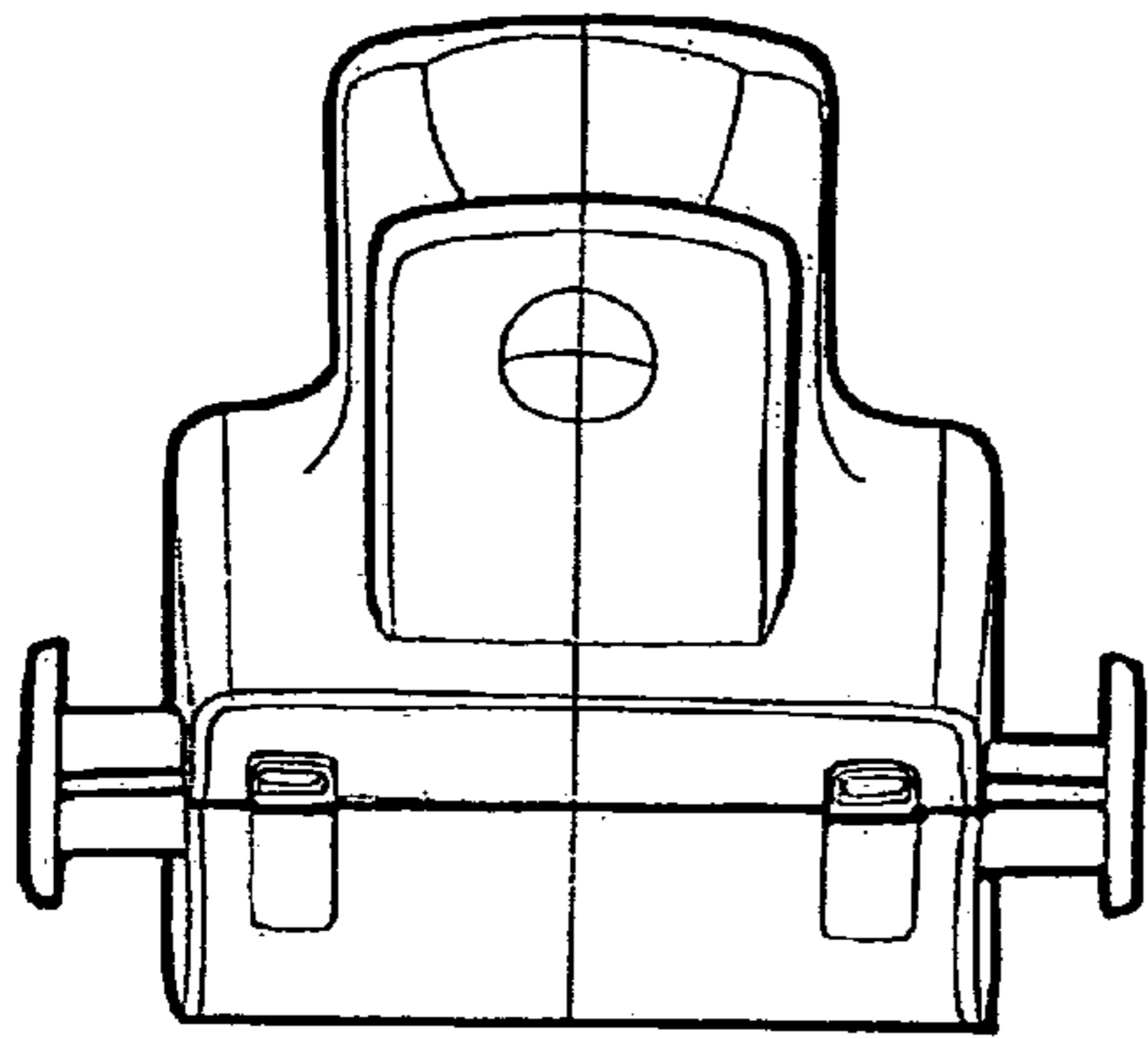


FIG. 3

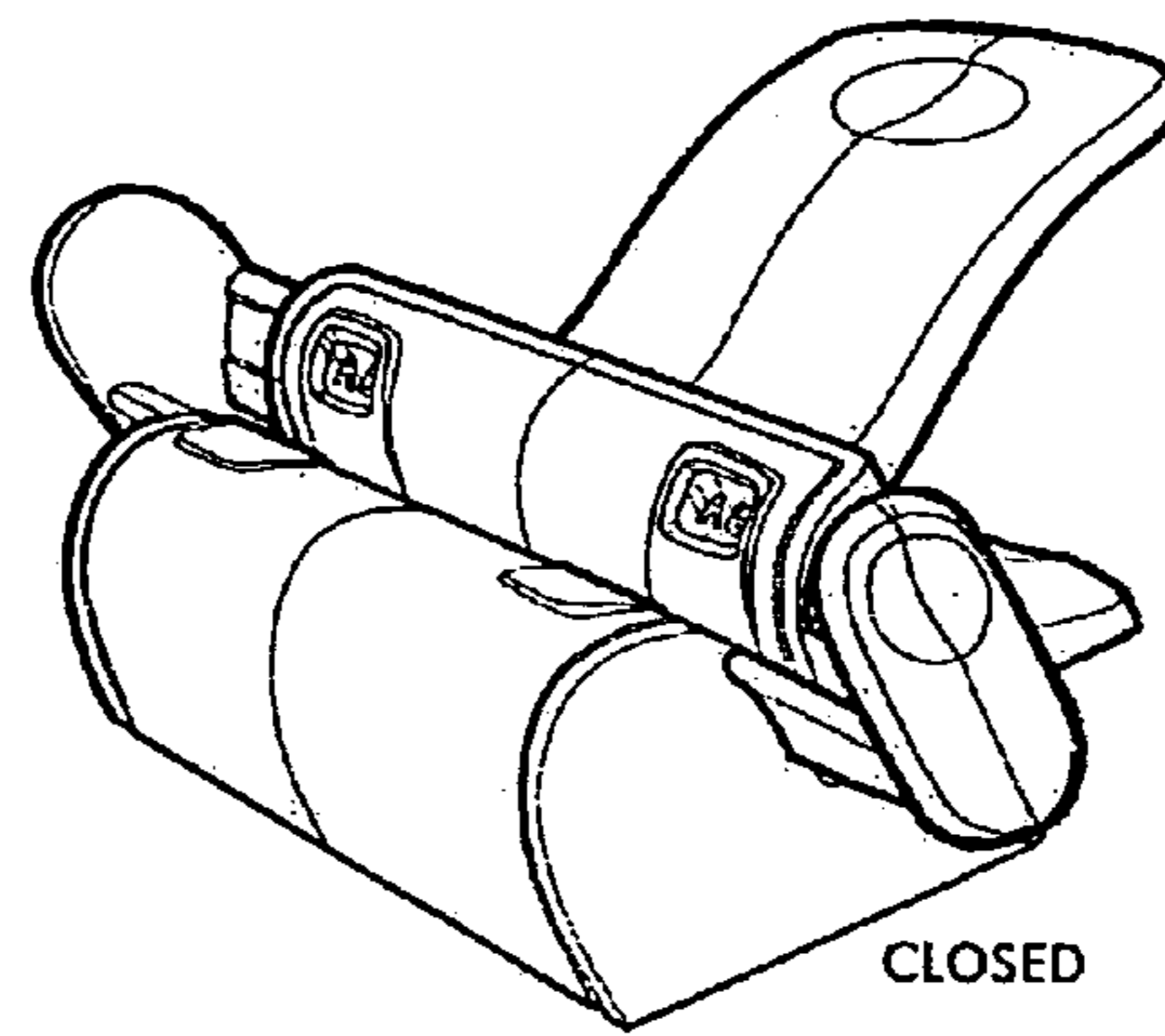


FIG. 1

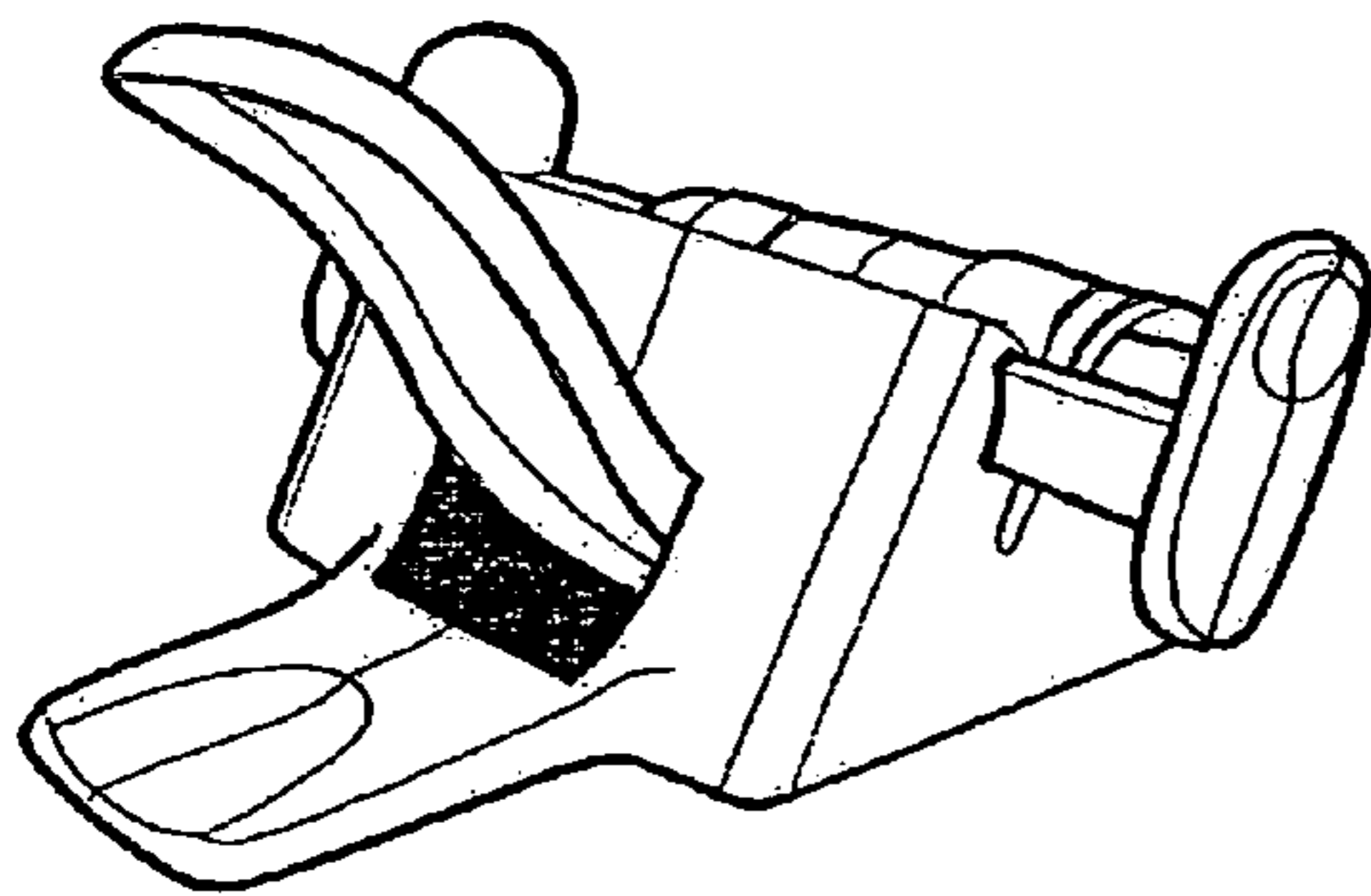


FIG. 4

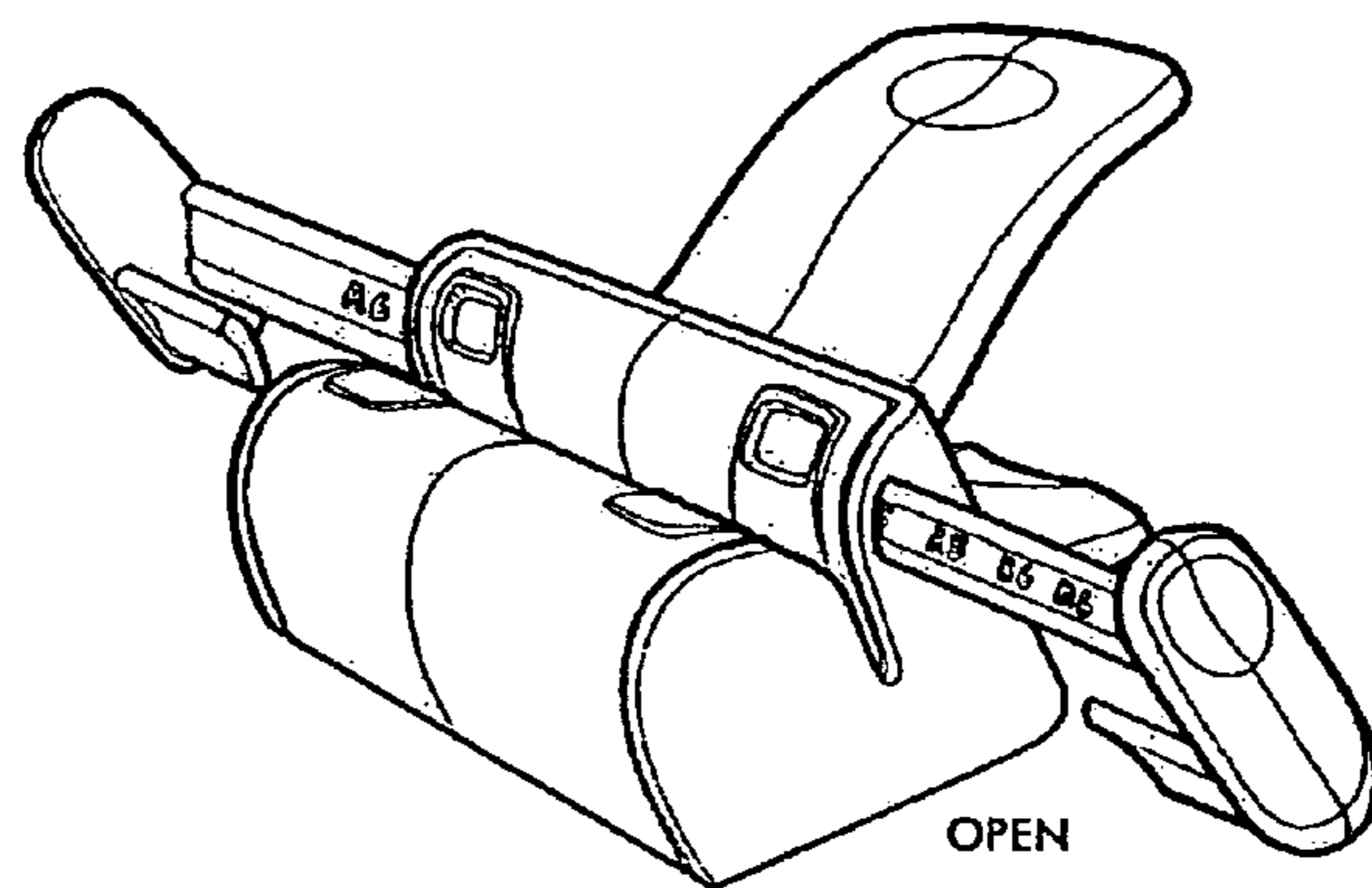


FIG. 2

UNITED STATES PATENT AND TRADEMARK OFFICE
CERTIFICATE OF CORRECTION

PATENT NO. : Des. 551,298 S
APPLICATION NO. : 29/252487
DATED : September 18, 2007
INVENTOR(S) : Benjamin Hermance et al.

Page 1 of 4

It is certified that error appears in the above-identified patent and that said Letters Patent is hereby corrected as shown below:

Title Page.

The Title page drawings should be replaced with the attached Figure 1 and Figure 2 drawings.

The sheet of drawings consisting of figures 1-4 should be deleted and replaced with the sheets of formal drawings Figures 1-4.

Signed and Sealed this

Twelfth Day of January, 2010

A handwritten signature in black ink that reads "David J. Kappos". The signature is written in a cursive, flowing style.

David J. Kappos
Director of the United States Patent and Trademark Office

(12) **United States Design Patent**
Hermance et al.

(10) **Patent No.:** **US D551,298 S**
 (45) **Date of Patent:** **** Sep. 18, 2007**

(54) **DESKTOP HOLE PUNCH**

(75) Inventors: **Benjamin Hermance**, Worcester, MA (US); **William Chura**, Medford, MA (US)

(73) Assignee: **Accentra, Inc.**, Newtown, PA (US)

(**) Term: **14 Years**

(21) Appl. No.: **29/252,487**

(22) Filed: **Jan. 23, 2006**

(51) **LOC (8) CL.** **19-02**

(52) **U.S. CL.** **D19/72**

(58) **Field of Classification Search** D8/49-51, D8/98, 105; D18/55; D19/65, 72, 73, 95, D19/99, 83/167, 465, 467, 550, 558, 560, 83/618, 620, 627, 628, 633, 687

See application file for complete search history.

(56) **References Cited**

U.S. PATENT DOCUMENTS

- D189,384 S * 11/1960 Hohmann D19/72
- D414,799 S * 10/1999 Cook et al D18/55
- D480,752 S * 10/2003 Tatara et al D18/55

FOREIGN PATENT DOCUMENTS

GB 3007488 * 10/2002

OTHER PUBLICATIONS

Pictured of GBC Heavy Duty Electric Punch, #GBC9802349, dated Jan. 21, 2005 (1 page).*

ACCO Brands UK, "Rexel P225 Premium 2-Hole, 25-Sheet Punch," web page at URL www.acco.co.uk
 ACCO-Rexel Ltd., Premium Hole Punch, 2-page brochure.

* cited by examiner

Primary Examiner Elizabeth A. Albert

Assistant Examiner Karen E. Eldridge Powers

(74) *Attorney, Agent, or Firm* Paul Y. Feng; Fulwider Patton LLP

(57) **CLAIM**

The ornamental design for a desktop hole punch, as shown and described.

DESCRIPTION

FIG. 1 is a front-side perspective view showing our new desktop hole punch with the paper guides in the retracted position, wherein the opposite side of the hole punch is identical to the side shown;

FIG. 2 is a front-side perspective view of the desktop hole punch of FIG. 1 wherein the paper guides are in the extended position;

FIG. 3 is a top plan view; and

FIG. 4 is a rear-side perspective view.

1 Claim, 1 Drawing Sheet

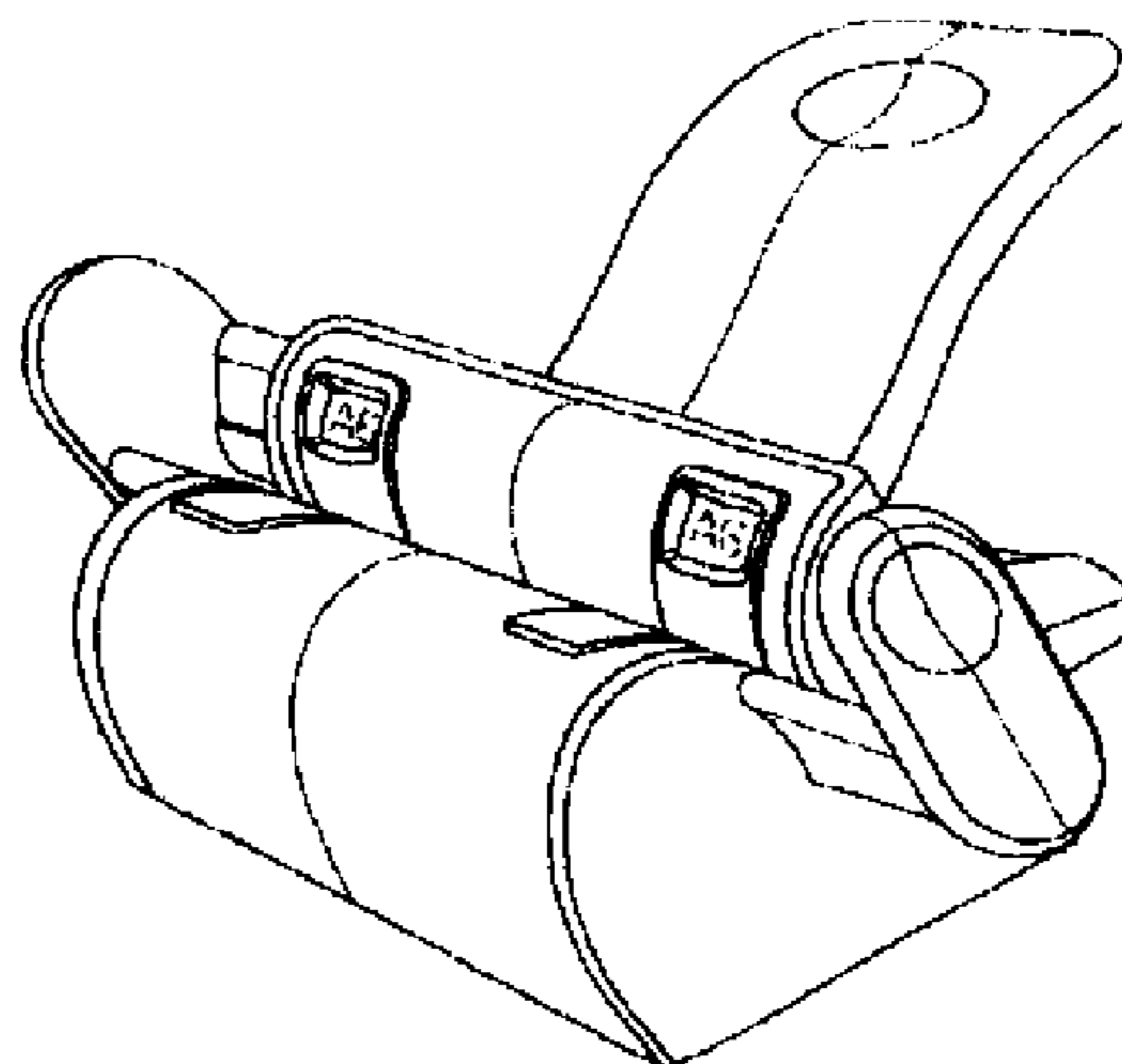
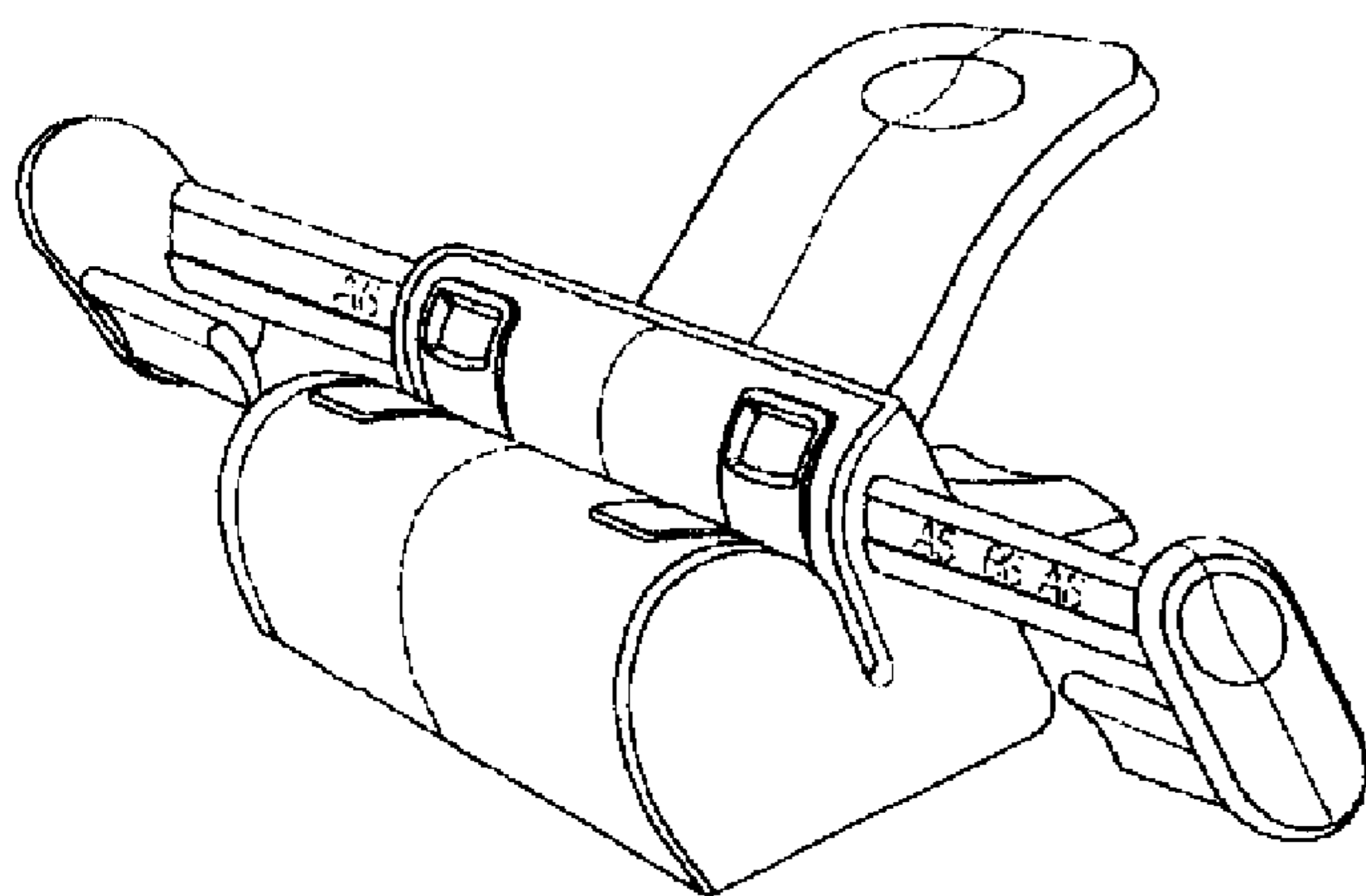


FIG. 1

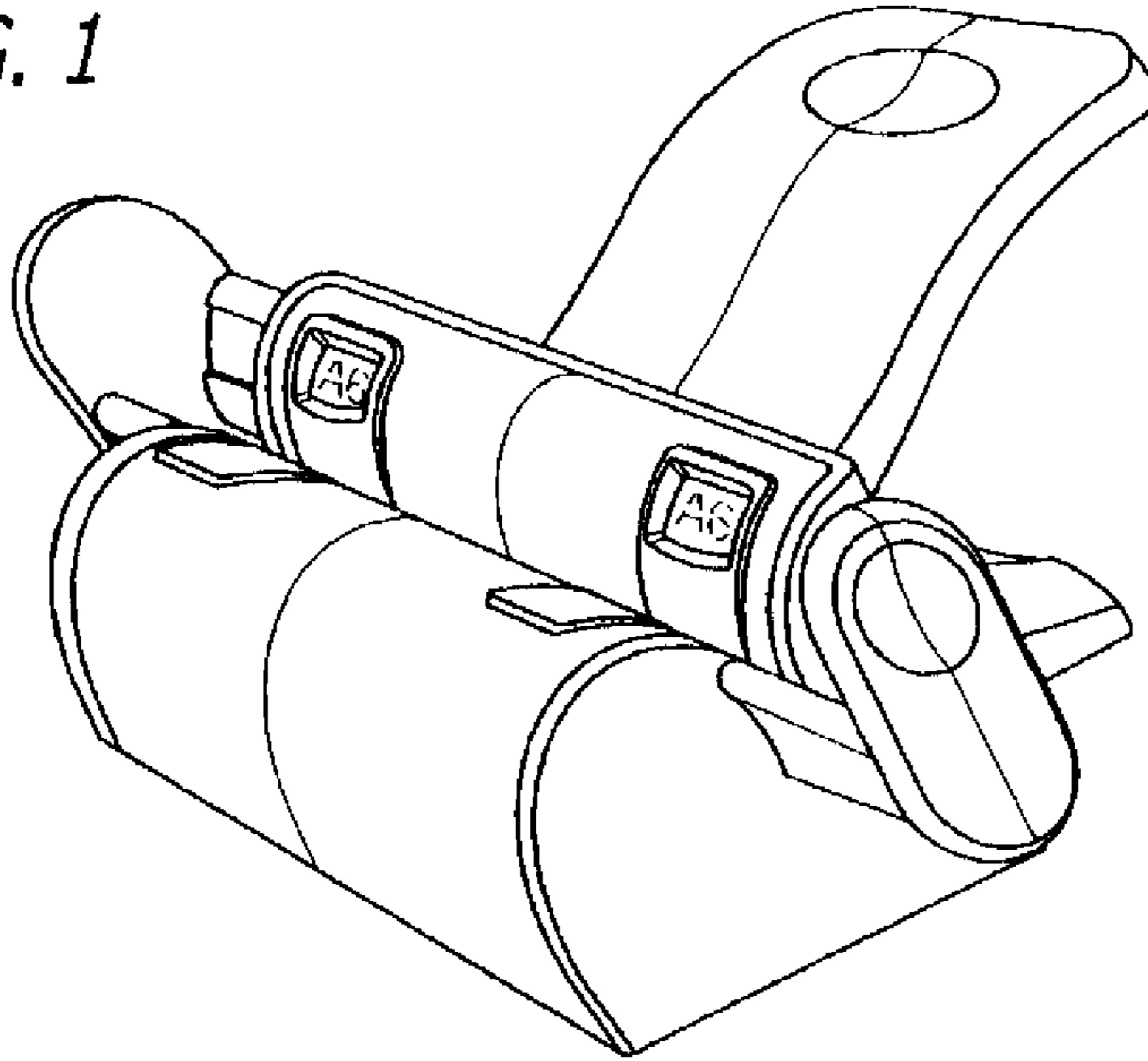


FIG. 2

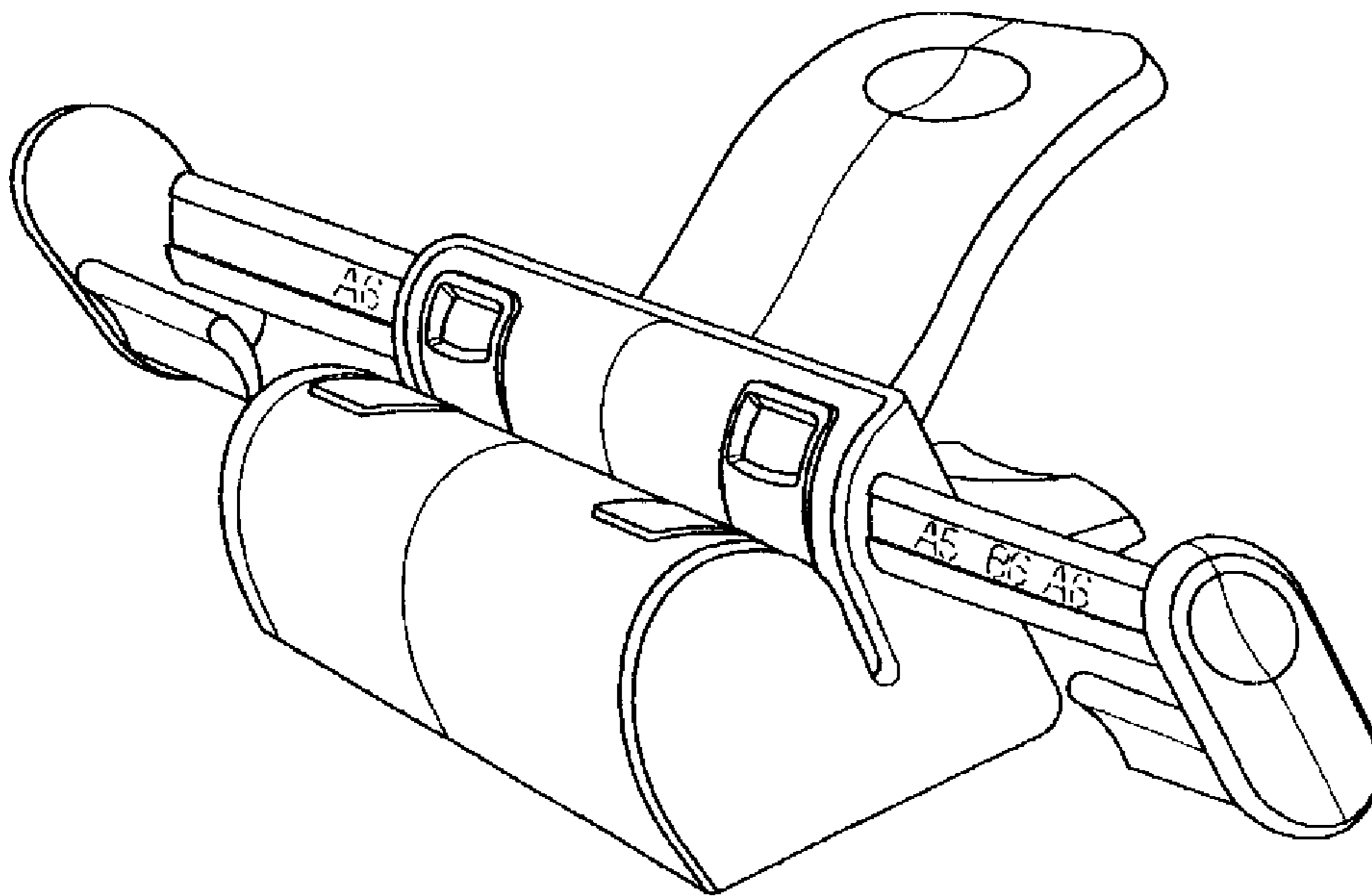


FIG. 3

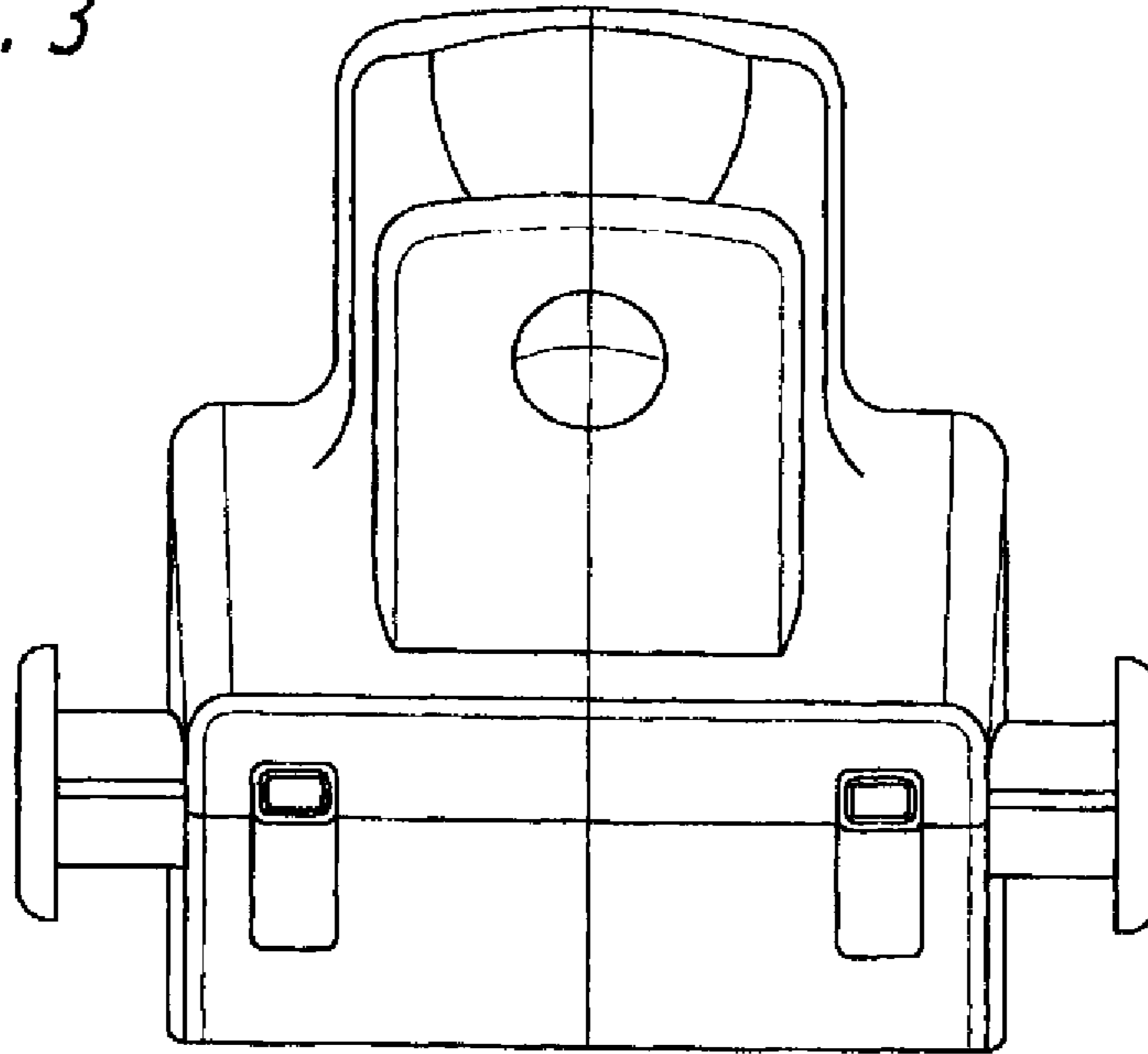


FIG. 4

