



US00D551294S

(12) **United States Design Patent**
Goudy

(10) **Patent No.:** **US D551,294 S**

(45) **Date of Patent:** **** Sep. 18, 2007**

(54) **SHELF DIVIDER**

(75) Inventor: **John W. Goudy**, Drumheller (CA)

(73) Assignee: **Inland Plastics Ltd.**, Drumheller,
Alberta (CA)

(**) Term: **14 Years**

(21) Appl. No.: **29/250,766**

(22) Filed: **Nov. 30, 2006**

(51) **LOC (8) Cl.** **06-06**

(52) **U.S. Cl.** **D19/34.1**

(58) **Field of Classification Search** D19/26-34.5,
D19/90, 91; D6/449, 466, 475, 512, 553;
211/42, 50, 132, 149; 248/293, 447; 220/23.4;
312/108, 111

See application file for complete search history.

(56) **References Cited**

U.S. PATENT DOCUMENTS

1,795,526	A *	3/1931	Turner	211/42
1,832,884	A *	11/1931	Ulrich	211/43
3,184,073	A *	5/1965	Bartolucci	211/132.1
3,592,344	A *	7/1971	Schade	211/42
D247,078	S *	1/1978	Grusin	D19/34.1
D308,394	S *	6/1990	Smith	D19/34.1
D313,048	S *	12/1990	Murphy et al.	D19/34.1
D335,996	S *	6/1993	Evenson	D6/553
5,439,195	A *	8/1995	Jessee	248/447

D369,700	S *	5/1996	Sandy	D6/449
6,578,717	B2 *	6/2003	Pickett	211/42
D483,204	S *	12/2003	Chang	D6/475
D496,965	S *	10/2004	Henry	D19/90

* cited by examiner

Primary Examiner—Louis S. Zarfes

Assistant Examiner—Susan E Krakower

(74) *Attorney, Agent, or Firm*—Cook, Alex, McFarron,
Manzo, Cummings & Mehler, Ltd.

(57) **CLAIM**

The ornamental design for a shelf divider, as shown and described.

DESCRIPTION

FIG. 1 is a perspective view of a shelf divider, showing the new design;

FIG. 2 is a front elevational view thereof;

FIG. 3 is a rear elevational view thereof, opposite to the front elevational view of FIG. 2;

FIG. 4 is a side elevational view thereof;

FIG. 5 is a side elevational view thereof, opposite to the side elevational view of FIG. 4;

FIG. 6 is a top plan view thereof; and,

FIG. 7 is a bottom plan view thereof.

1 Claim, 1 Drawing Sheet

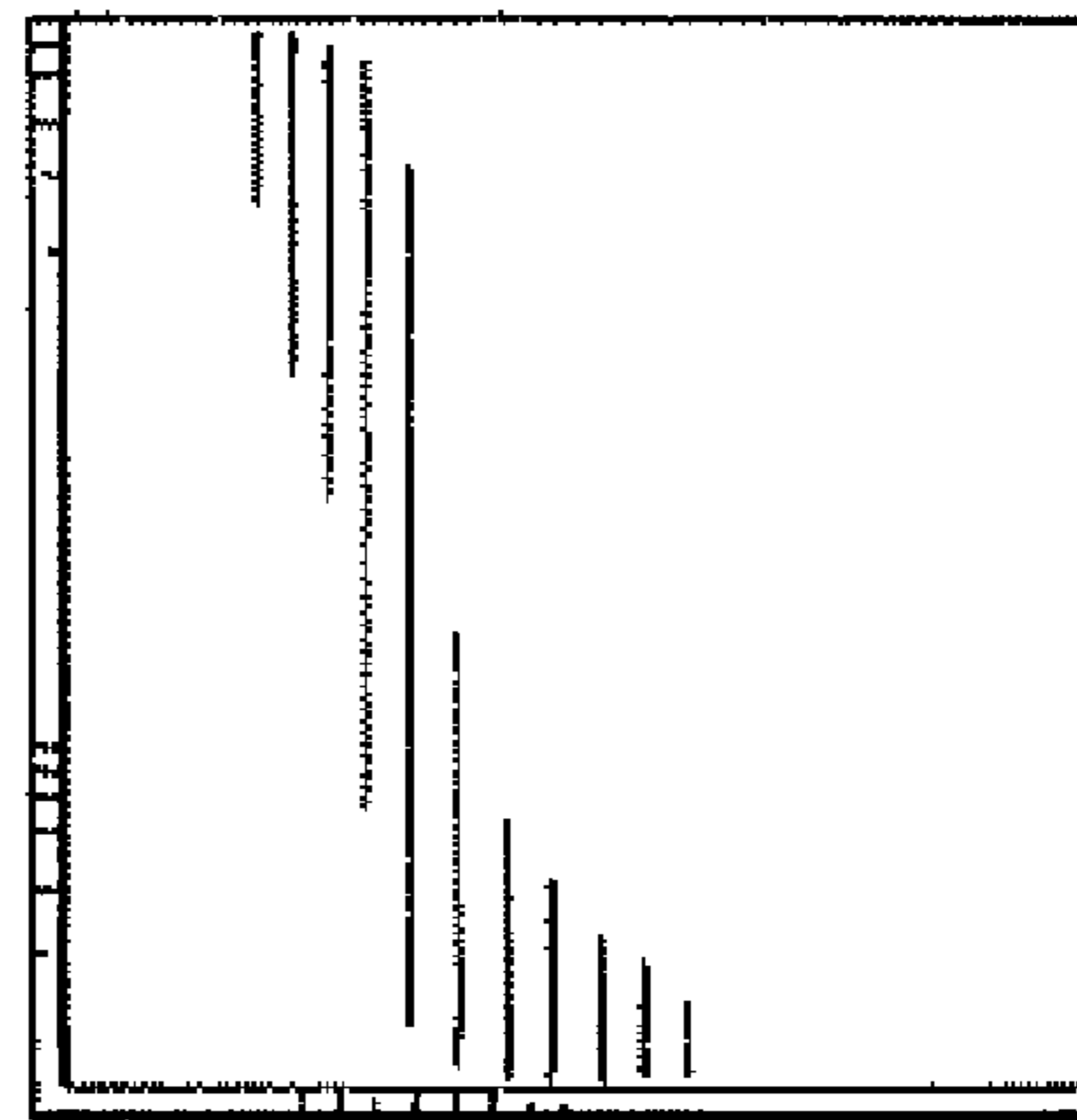
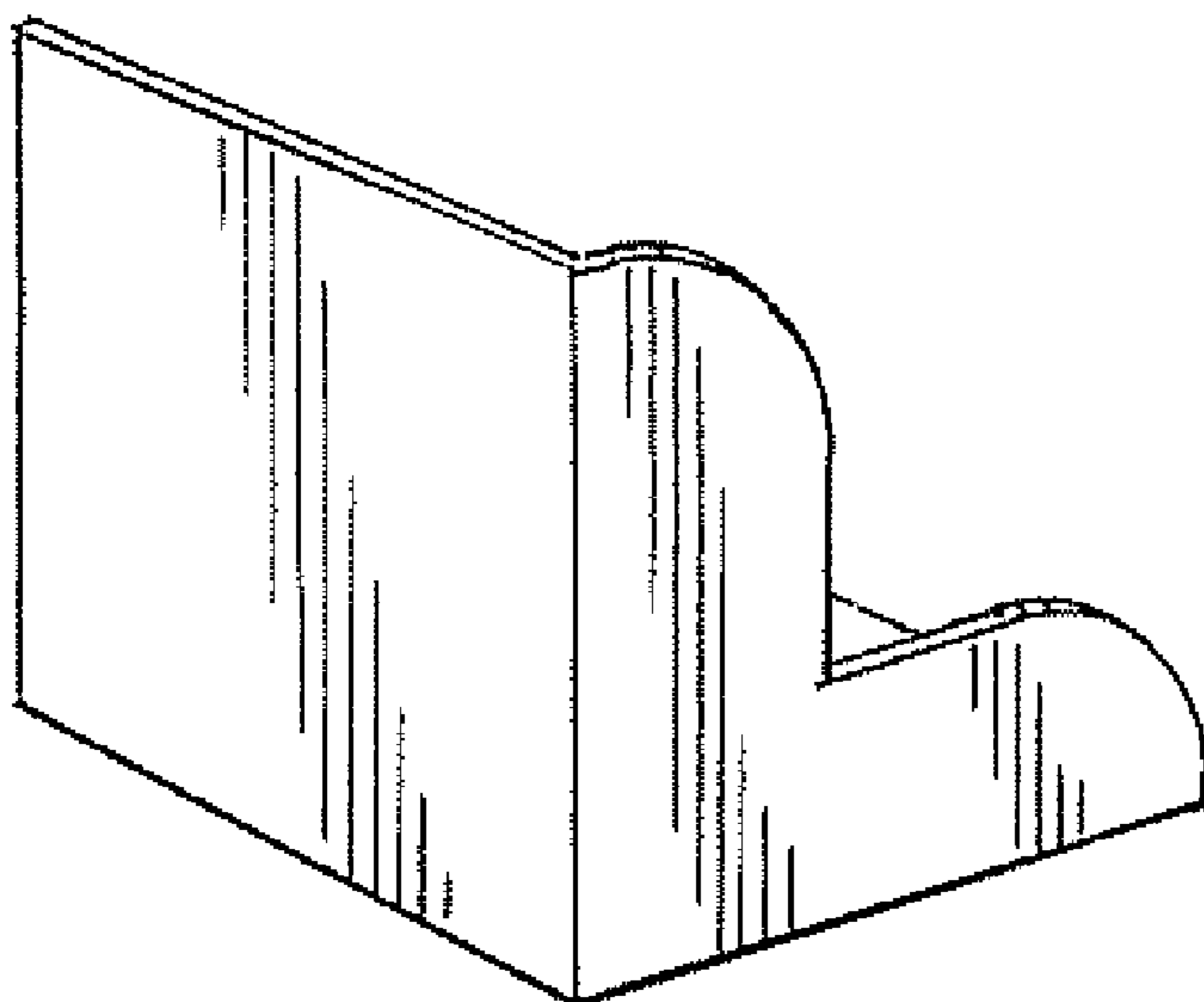


FIG. 1

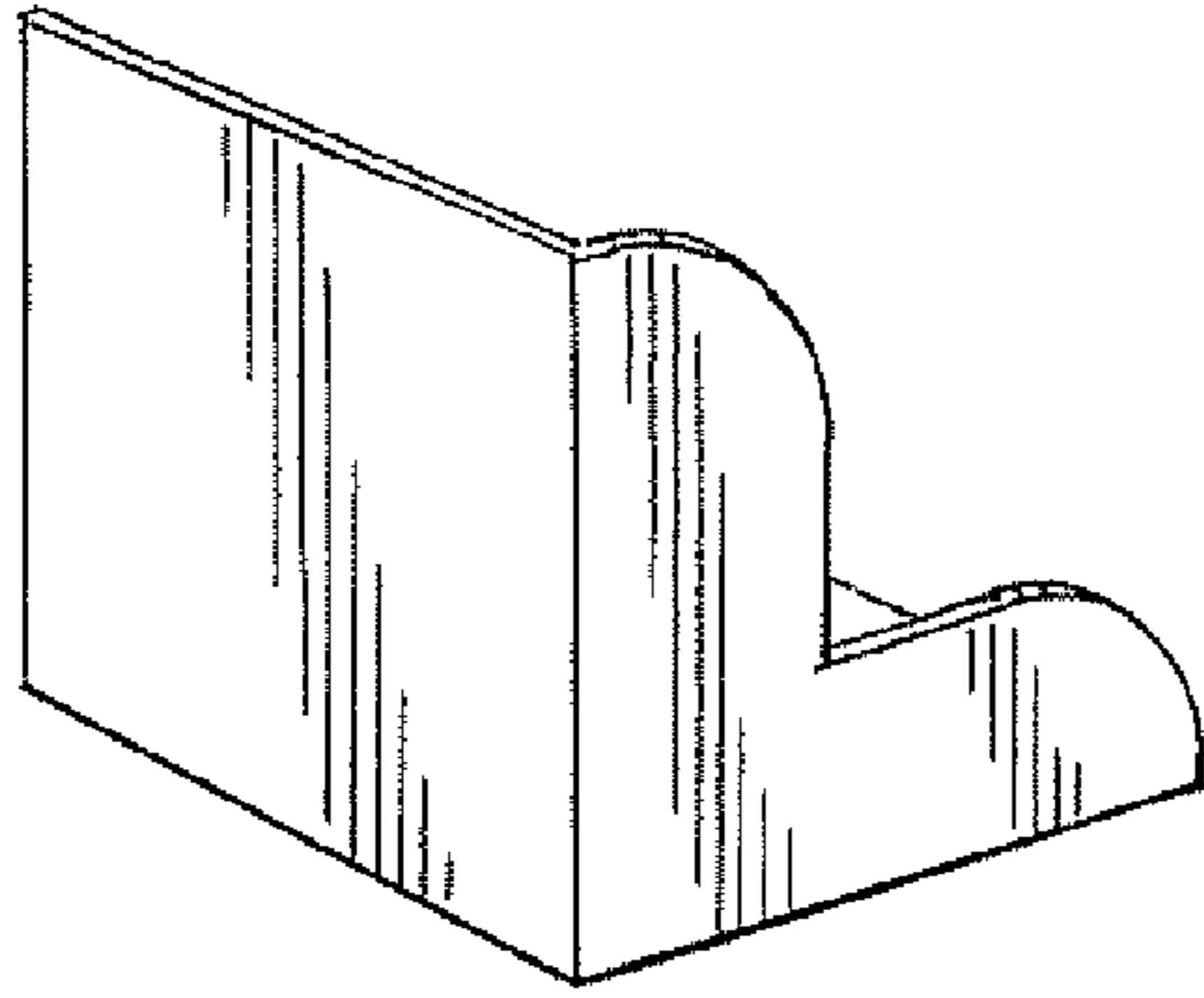


FIG. 2

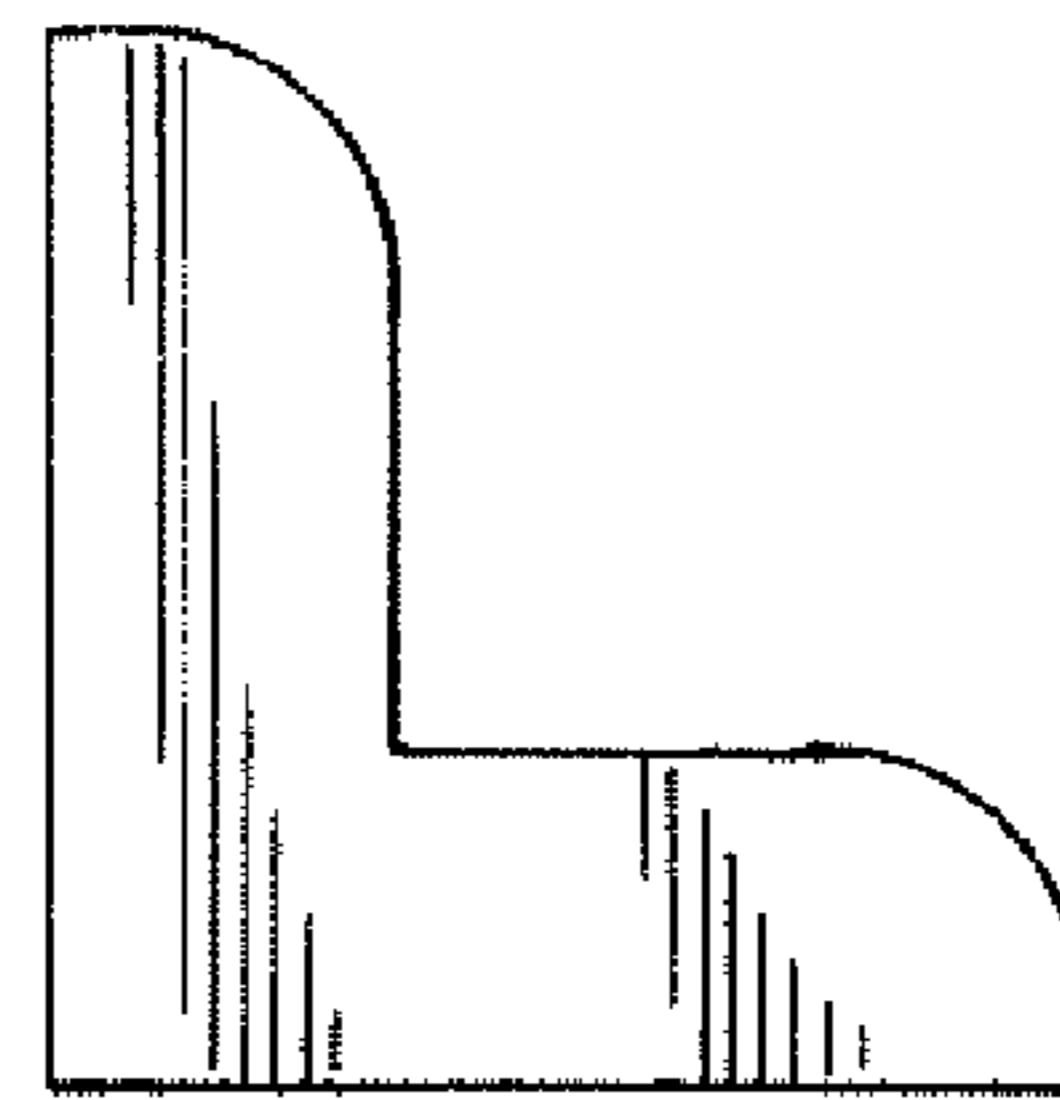


FIG. 3

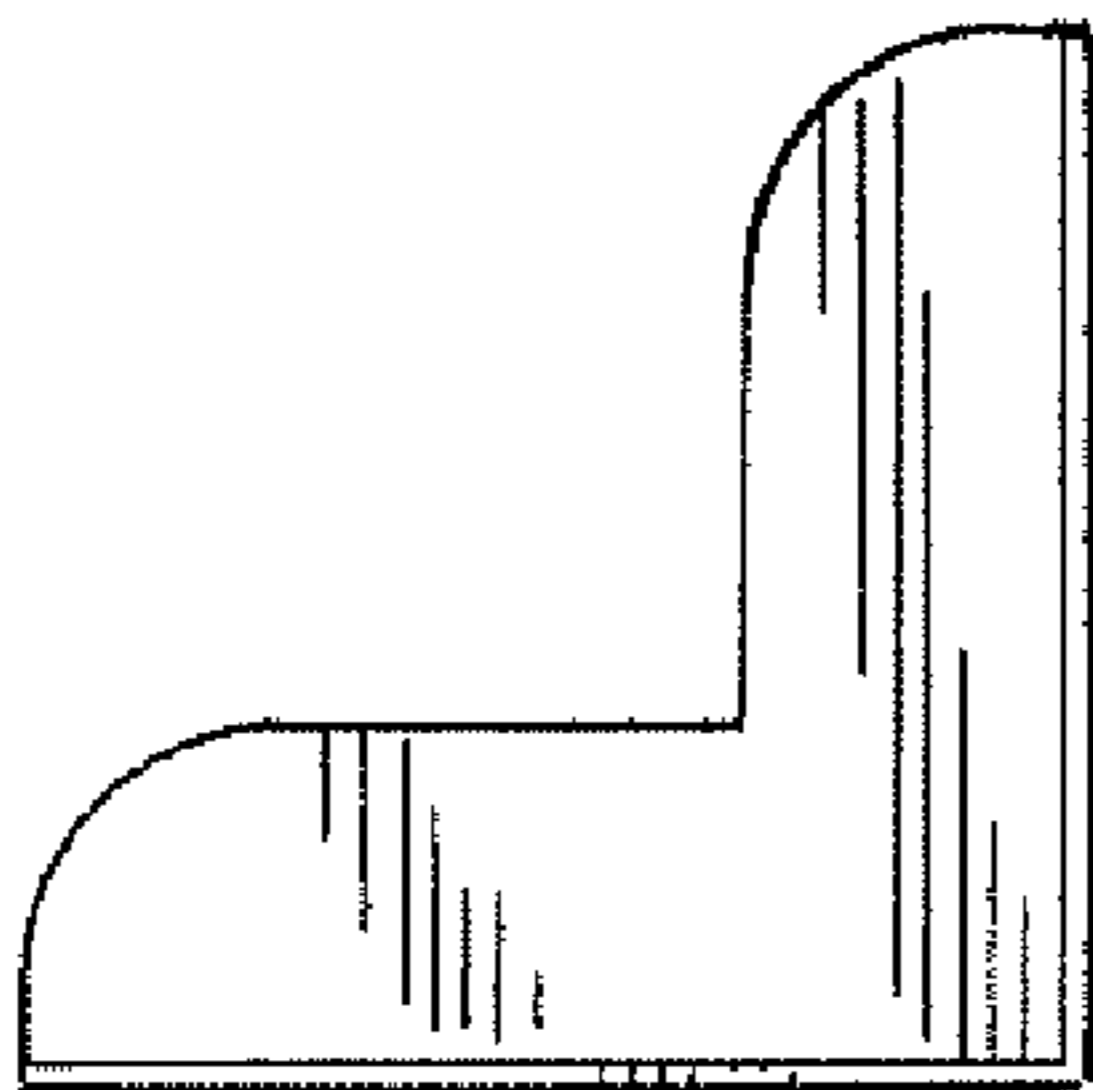


FIG. 4

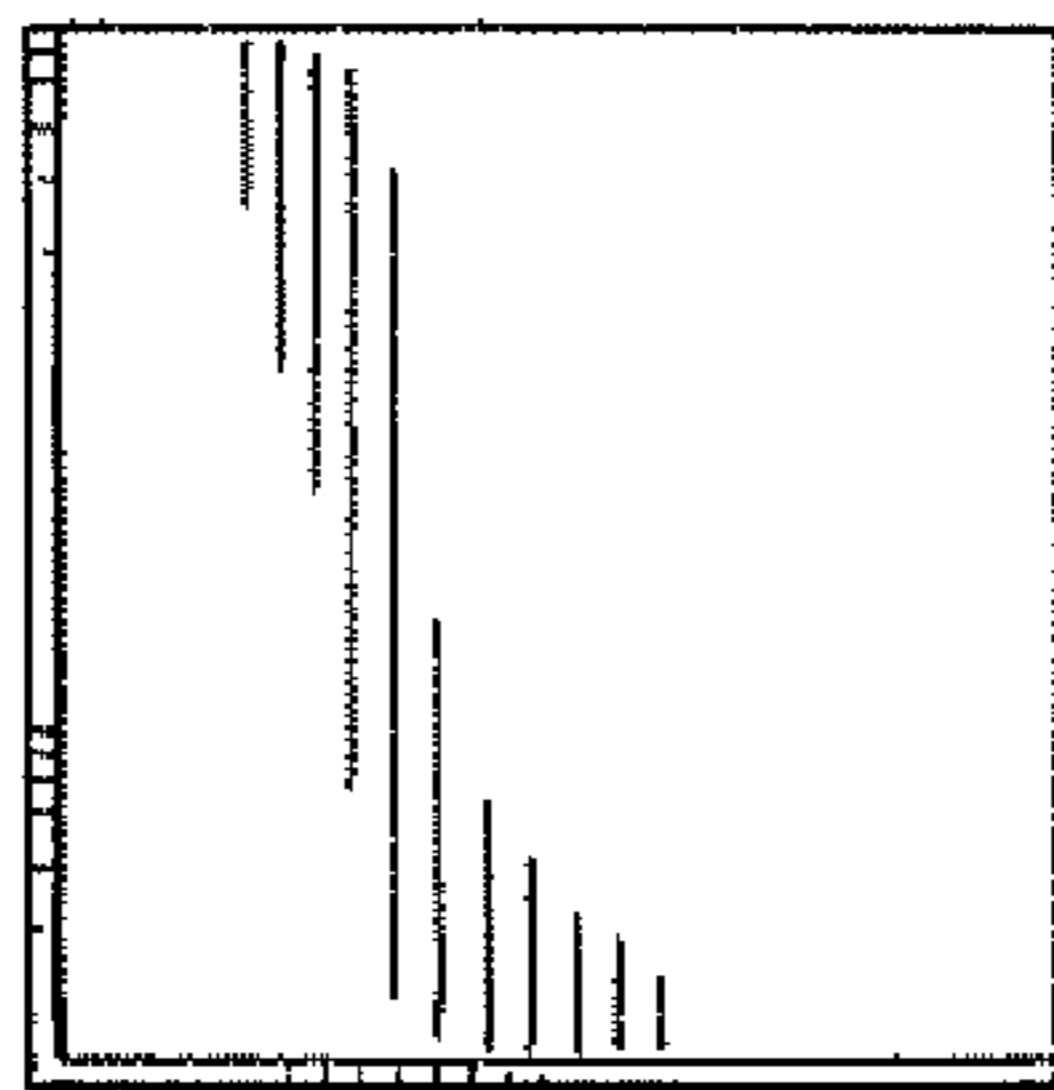


FIG. 5

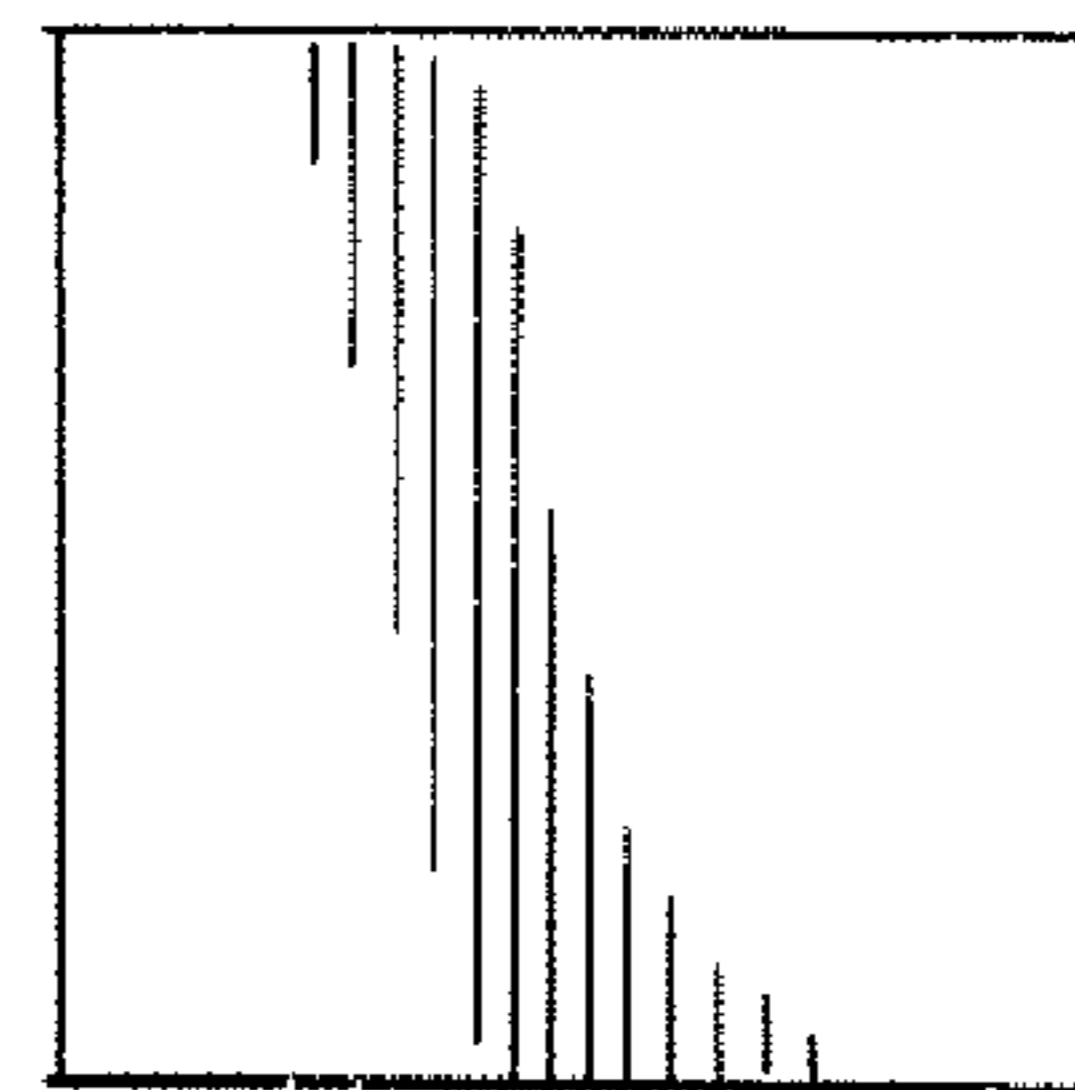


FIG. 6

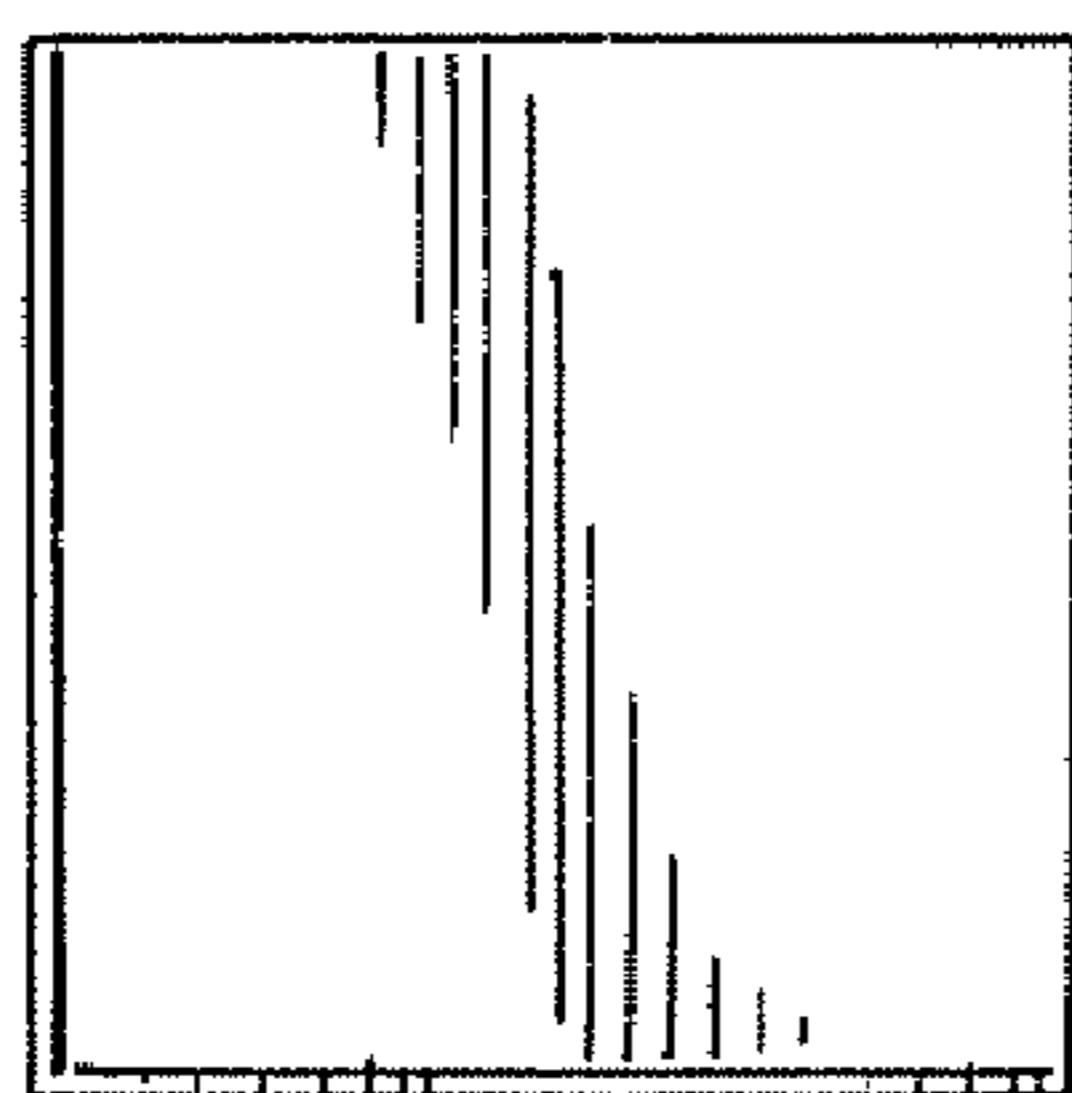


FIG. 7

