



US00D551293S

(12) **United States Design Patent**
McArthur, Jr.

(10) **Patent No.:** **US D551,293 S**

(45) **Date of Patent:** **** Sep. 18, 2007**

(54) **OBITUARY PROGRAM BINDER**

(76) **Inventor:** **Franklin Delano McArthur, Jr.**, 1501
Saxony Dr., Mt. Laurel, NJ (US) 08054

(**) **Term:** **14 Years**

(21) **Appl. No.:** **29/235,464**

(22) **Filed:** **Aug. 2, 2005**

Related U.S. Application Data

(63) Continuation-in-part of application No. 10/777,274,
filed on Feb. 12, 2004, now abandoned.

(51) **LOC (8) Cl.** **19-04**

(52) **U.S. Cl.** **D19/27**

(58) **Field of Classification Search** D19/32,
D19/27, 26; D3/247, 276, 201, 249, 273,
D3/294, 274, 243, 245; 281/29, 38, 27.3;
402/3, 4, 31, 19

See application file for complete search history.

(56) **References Cited**

U.S. PATENT DOCUMENTS

D316,108 S *	4/1991	Gerriet	D19/26
D319,146 S *	8/1991	Vittetoe	D3/249
D330,115 S *	10/1992	O'Brien	D3/249
D358,839 S *	5/1995	Lipic	D19/26
D393,874 S *	4/1998	Hodes	D19/27
D413,725 S *	9/1999	Hartmann et al.	D3/247
D419,597 S *	1/2000	Sanford	D19/26
D449,927 S *	11/2001	Dorizas	D3/201
D467,966 S *	12/2002	Lepisto	D19/26
D475,403 S *	6/2003	Mandel	D19/26
D496,396 S *	9/2004	Hyman	D19/27
D502,502 S *	3/2005	Brann	D19/26

D504,463 S *	4/2005	Wehmeyer	D19/26
D523,078 S *	6/2006	Ong	D19/26
D529,087 S *	9/2006	Dixon	D19/27
2005/0042021 A1 *	2/2005	McArthur, Jr.	402/70

* cited by examiner

Primary Examiner—Cathron C. Brooks

Assistant Examiner—Austin Murphy

(74) *Attorney, Agent, or Firm*—Stuart M. Goldstein

(57) **CLAIM**

The ornamental design for an obituary program binder, as shown and described.

DESCRIPTION

FIG. 1 shows an isometric view of the obituary program binder of the present invention with its binder partially opened.

FIG. 2 shows the front view of the obituary program binder of the present invention, the front and rear views being identical.

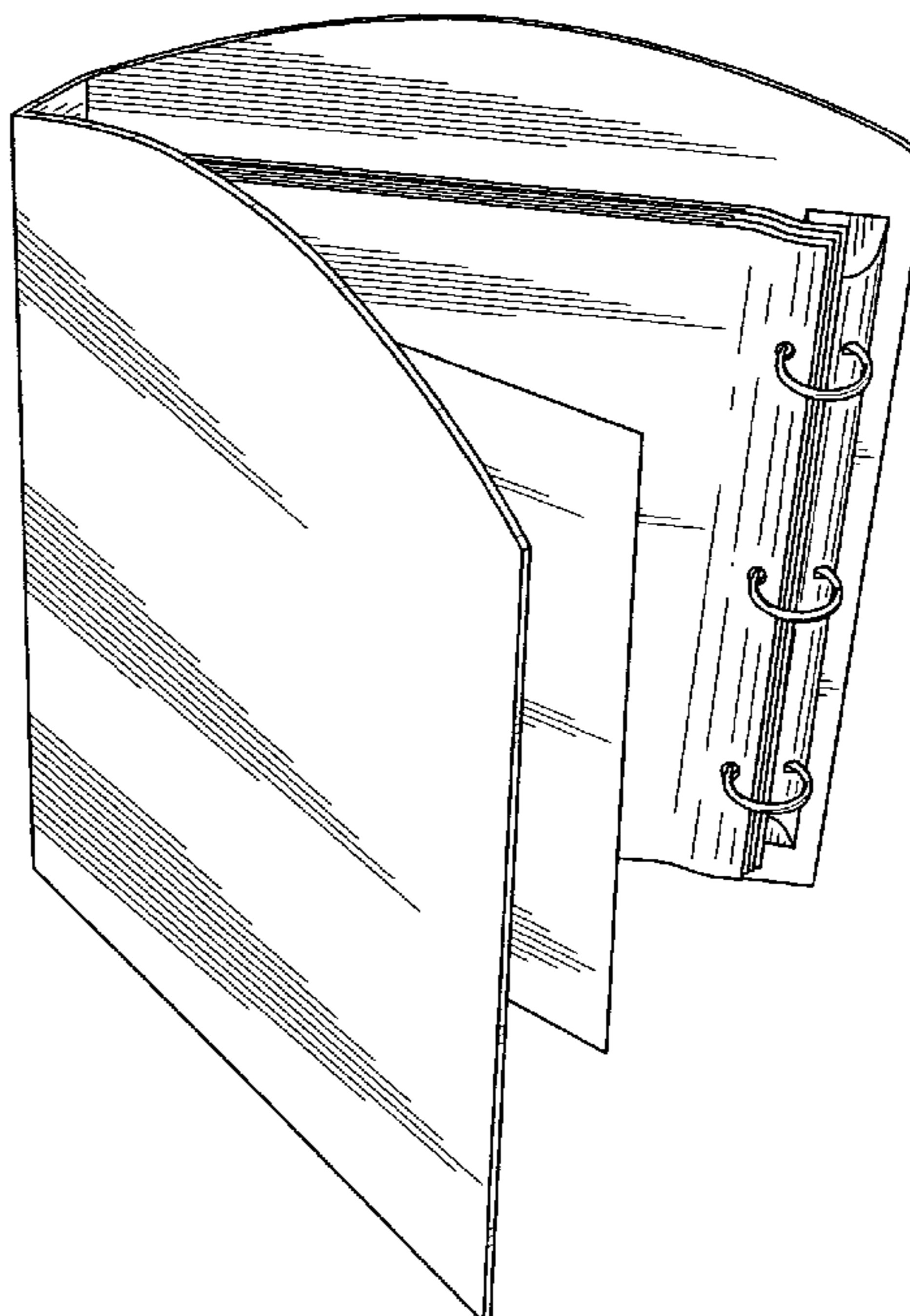
FIG. 3 shows a side view of the obituary program binder of the present invention.

FIG. 4 shows the opposite side view of the obituary program binder of the present invention.

FIG. 5 shows the bottom view of the obituary program binder of the present invention with the binder of the organizer in a closed position. The bottom and top views are identical when the binder is closed; and,

FIG. 6 shows the obituary program binder of the present invention with its binder fully opened and with one of its pages extended.

1 Claim, 5 Drawing Sheets



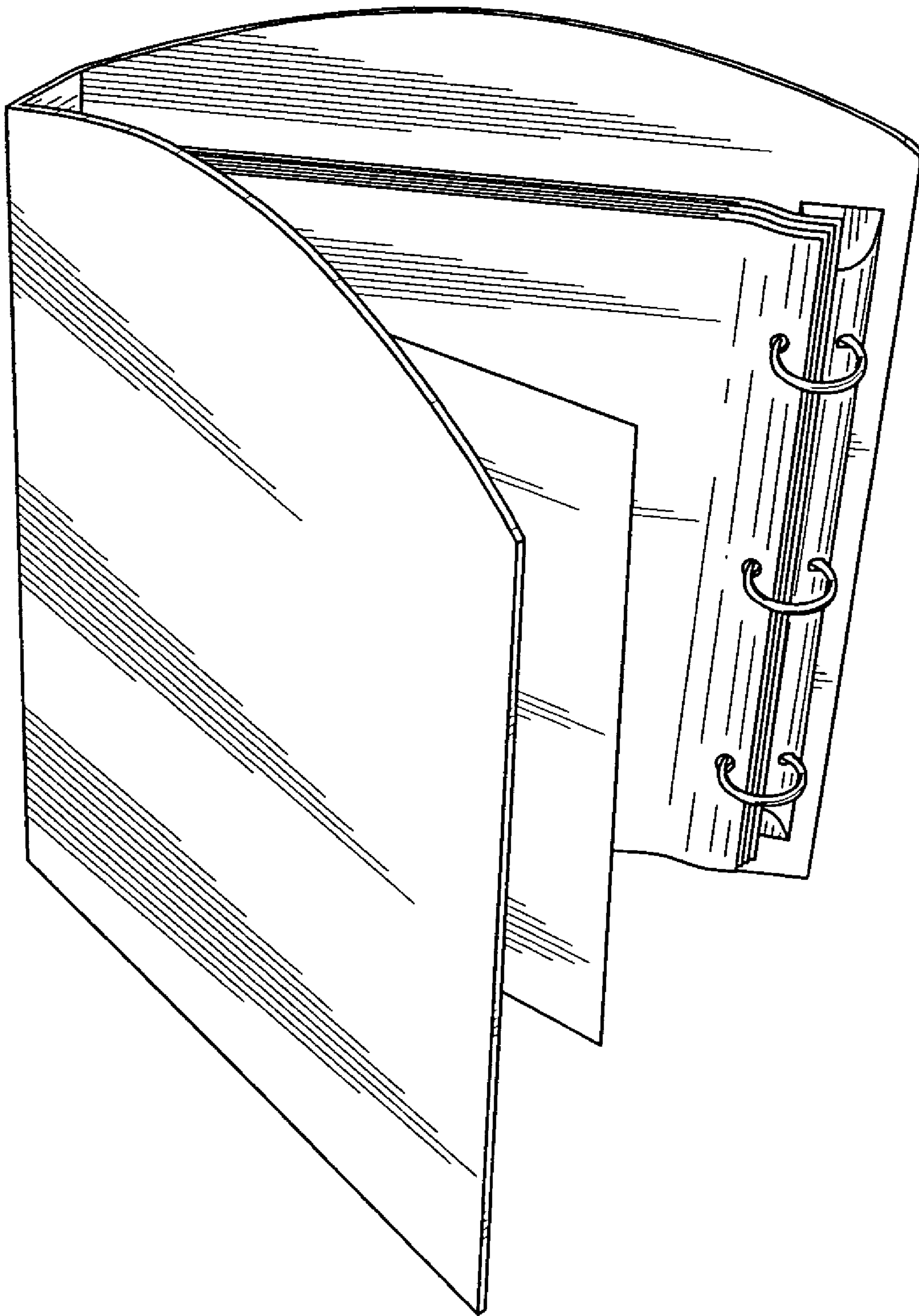


FIG. 1

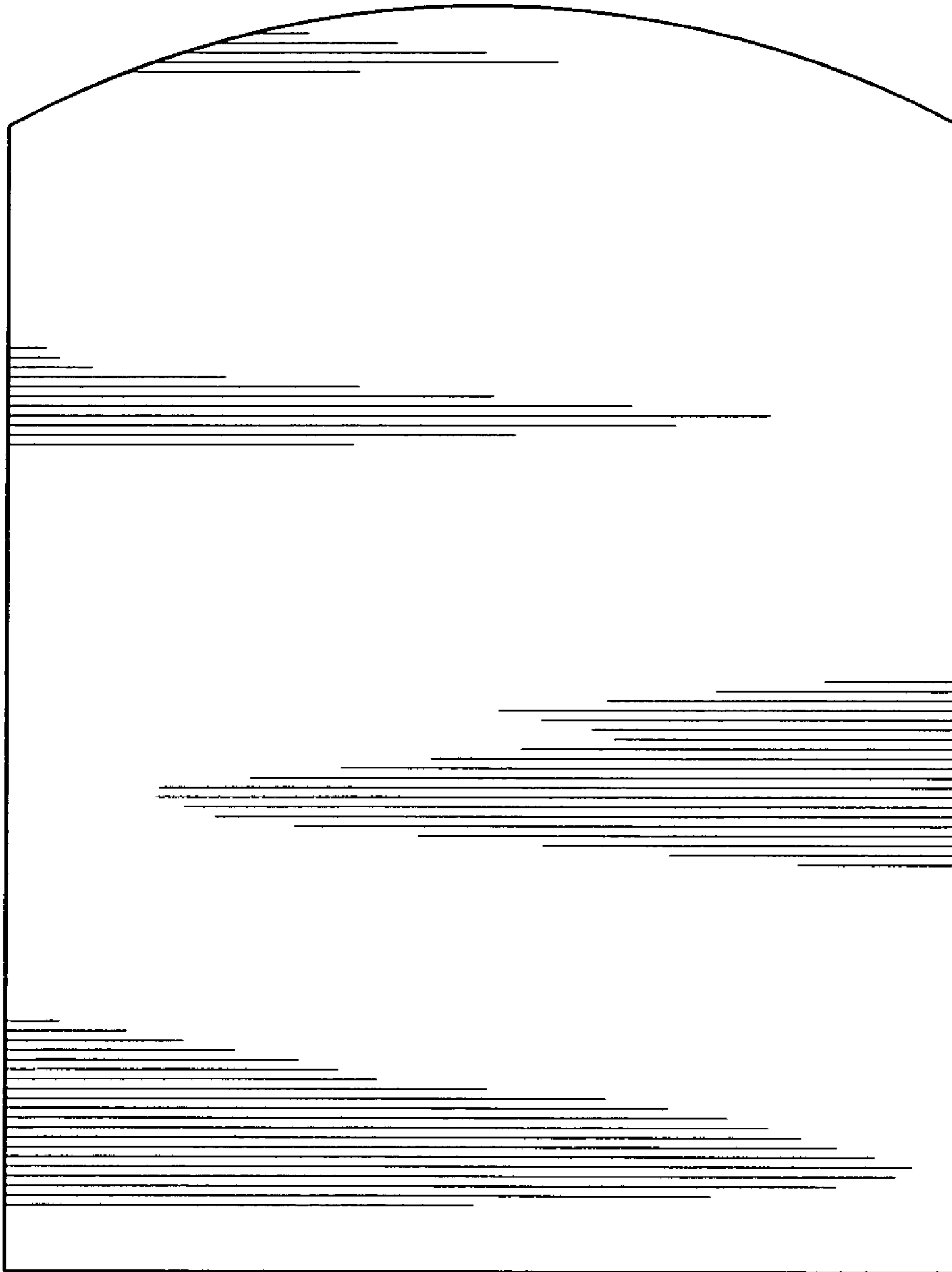


FIG. 2

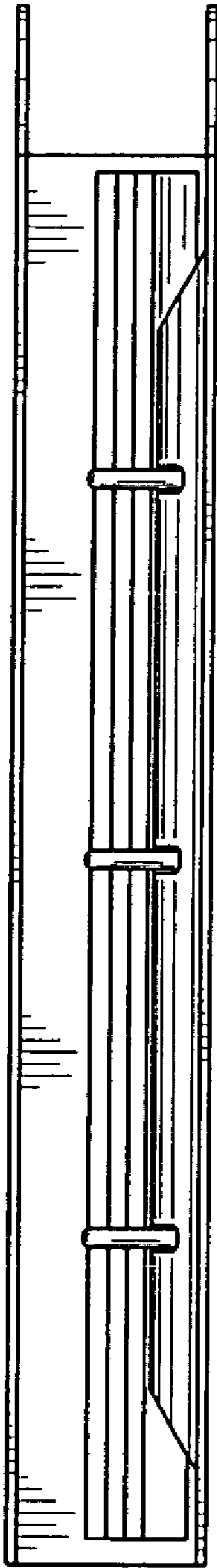


FIG. 3

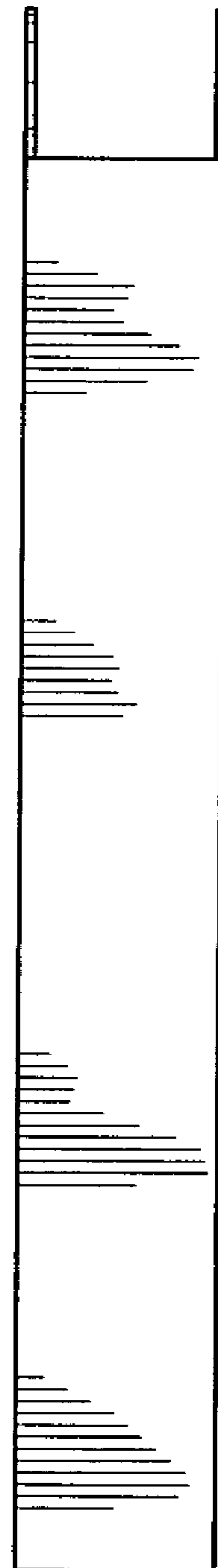


FIG. 4

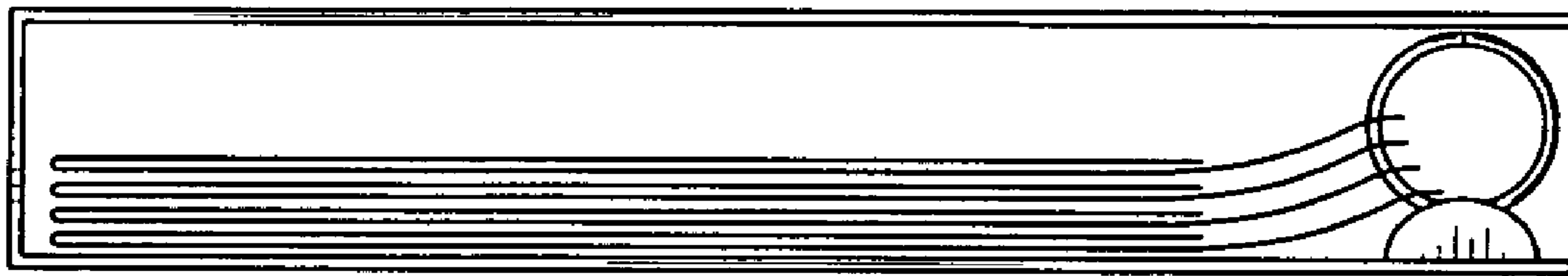


FIG. 5

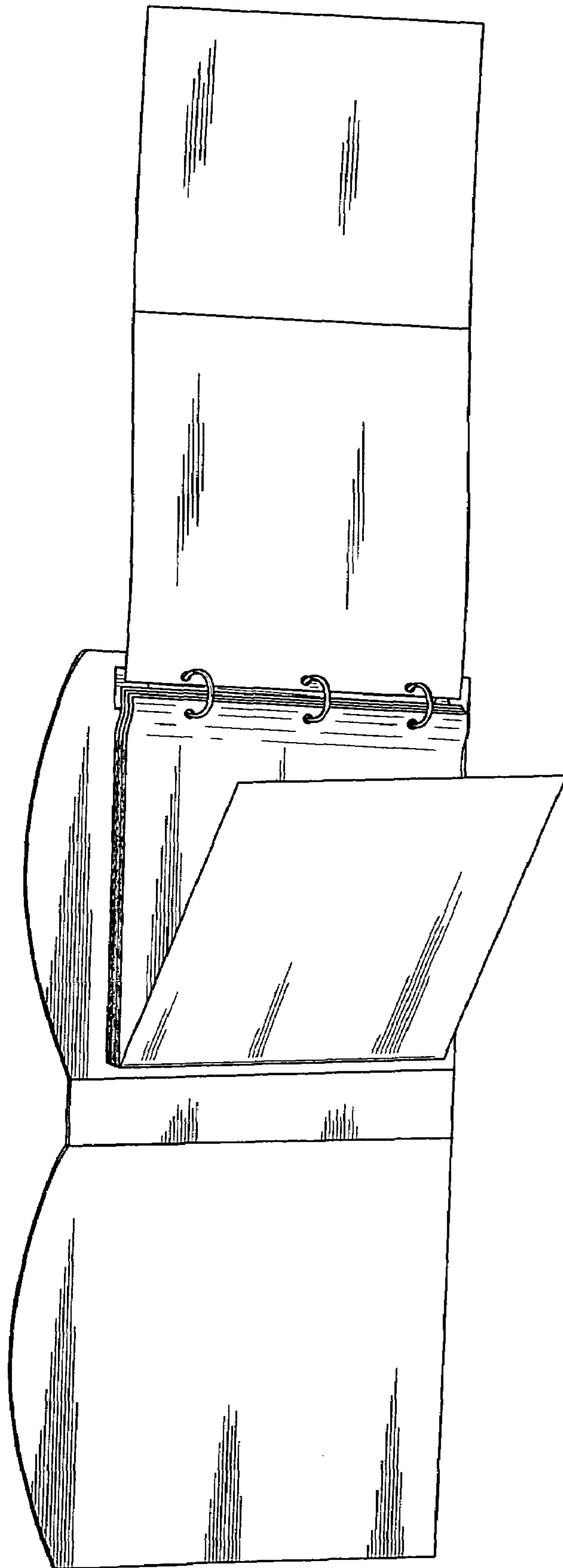


FIG. 6