



US00D551291S

(12) **United States Design Patent**  
**Wagner**

(10) **Patent No.:** **US D551,291 S**

(45) **Date of Patent:** **\*\* Sep. 18, 2007**

(54) **STORAGE UNIT**

(76) Inventor: **Stephen Keller Wagner**, 262 Copper Beech Dr., Blue Bell, PA (US) 19422

(\*\*) Term: **14 Years**

(21) Appl. No.: **29/237,043**

(22) Filed: **Aug. 25, 2005**

(51) **LOC (8) Cl.** ..... **19-04**

(52) **U.S. Cl.** ..... **D19/26; D3/271.5**

(58) **Field of Classification Search** ..... D3/238,  
D3/171.1, 171.5, 298, 300, 903; D6/627,  
D6/632; D9/634; D19/26, 28; 206/216,  
206/232, 308.3, 424, 455, 457, 555, 776;  
402/502

See application file for complete search history.

(56) **References Cited**

**U.S. PATENT DOCUMENTS**

D57,187 S *	3/1921	Davis	.....	D6/631
D93,892 S *	11/1934	Rubinstein	.....	D21/393
D118,045 S *	12/1939	Ignall et al.	.....	D3/271.5
3,482,757 A *	12/1969	Yasumichi et al.	.....	206/455
4,227,328 A *	10/1980	Clipper, Jr.	.....	40/530
D271,063 S	10/1983	Compton		
D271,161 S	11/1983	Compton		
4,674,632 A *	6/1987	Friedman	.....	206/232
4,789,058 A *	12/1988	Blaney	.....	206/232
5,156,271 A *	10/1992	Toner	.....	206/457
D350,458 S *	9/1994	Plath	.....	D6/632
D381,692 S *	7/1997	Lovell	.....	D19/91
D386,677 S *	11/1997	Abiteboul	.....	D3/271.5
5,823,347 A *	10/1998	Mattes	.....	206/555
5,908,258 A *	6/1999	Boccacci	.....	402/70
5,944,182 A *	8/1999	Williams et al.	.....	206/308.3

(Continued)

**OTHER PUBLICATIONS**

Book Boxes, Brimar Packaging, A Custom Box Manufacturer. Downloaded Jan. 28, 2007 at [http://www.brimarpackaging.com/industries\\_served/stationary/default.asp](http://www.brimarpackaging.com/industries_served/stationary/default.asp)\*

Richard E. Bishop, Ltd., "Product Brochure," 4 Pages, No Date.

*Primary Examiner*—Philip S. Hyder

*Assistant Examiner*—RoseLynne (Ulm) Cody

(74) *Attorney, Agent, or Firm*—Clement A. Berard; Dann, Dorfman, Herrell & Skillman

(57) **CLAIM**

The ornamental design for a storage unit substantially, as shown and described.

**DESCRIPTION**

FIG. 1 is a perspective view of the storage unit shown assembled;

FIG. 2 is an exploded perspective view of the storage unit shown in FIG. 1 with the storage book in a closed position outside the slip case;

FIG. 3 is a first side view of the storage unit shown in FIG. 1;

FIG. 4 is a second side view of the storage unit shown in FIG. 1;

FIG. 5 is a top view of the storage unit shown in FIG. 1;

FIG. 6 is a closed back end view of the slip case of the storage unit shown in

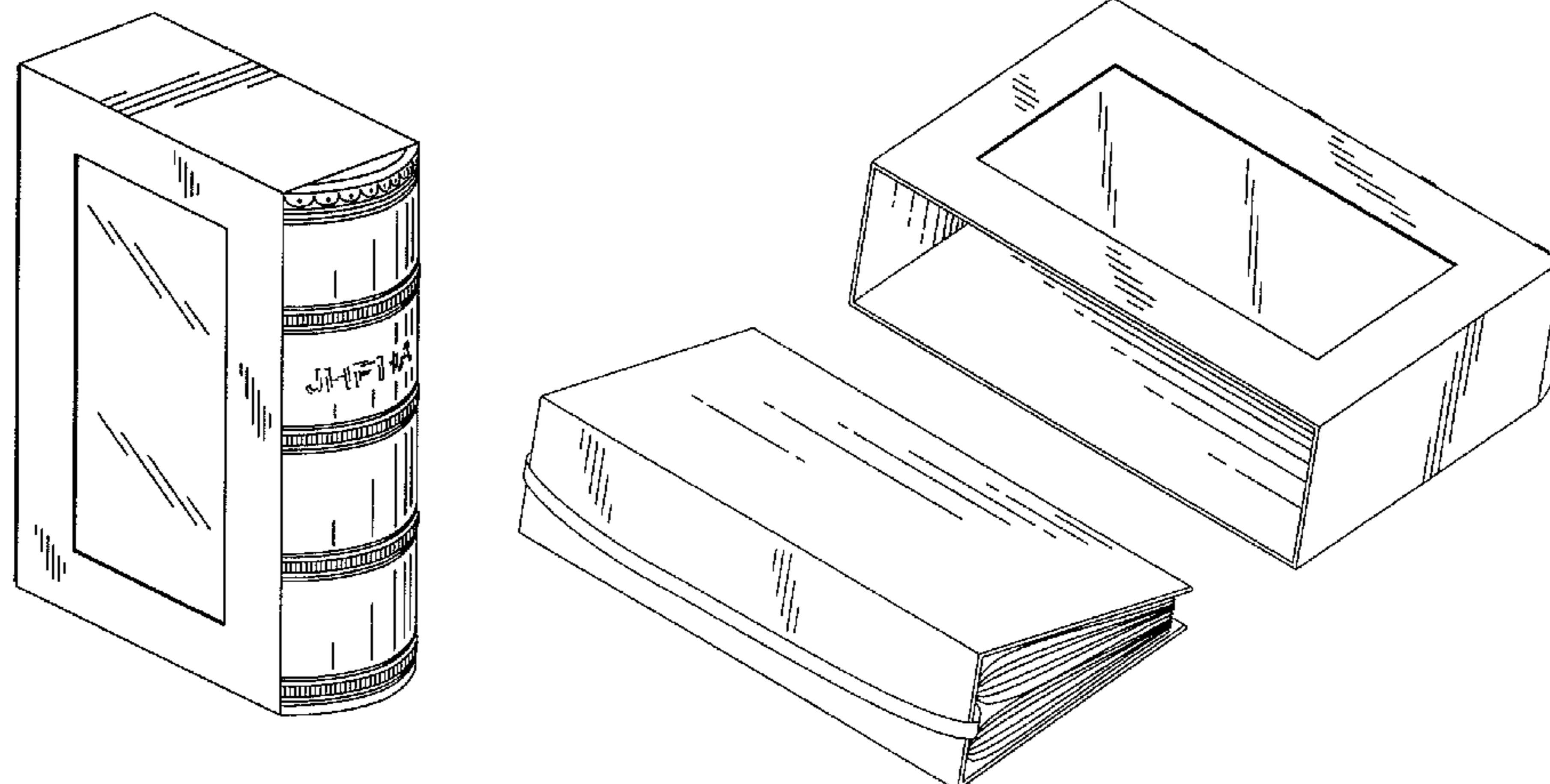
FIG. 7 is a top or a bottom view of the of the storage book of the storage unit shown in FIG. 2, with the storage book shown in a slightly open position;

FIG. 8 is a front view of the of the storage book of the storage unit shown in FIG. 2, with the storage book shown in a fully open position; and,

FIG. 9 is an alternate embodiment for the closed back end of the slip case of the storage unit shown in FIGS. 1–5, 7, and 8.

The broken lines forming what appears to be lettering in FIGS. 1, 3, 4, 6, and 9 are for illustrative purposes only and form no part of the claimed design.

**1 Claim, 4 Drawing Sheets**



# US D551,291 S

Page 2

---

U.S. PATENT DOCUMENTS			
6,010,000 A *	1/2000	Tran .....	206/424
D428,882 S	8/2000	Musa	
D429,761 S *	8/2000	Ward .....	D19/31
6,202,838 B1 *	3/2001	Tran .....	206/232
D475,084 S *	5/2003	Wigard et al. ....	D19/26
7,070,048 B2 *	7/2006	Gelardi et al. ....	206/308.1

\* cited by examiner

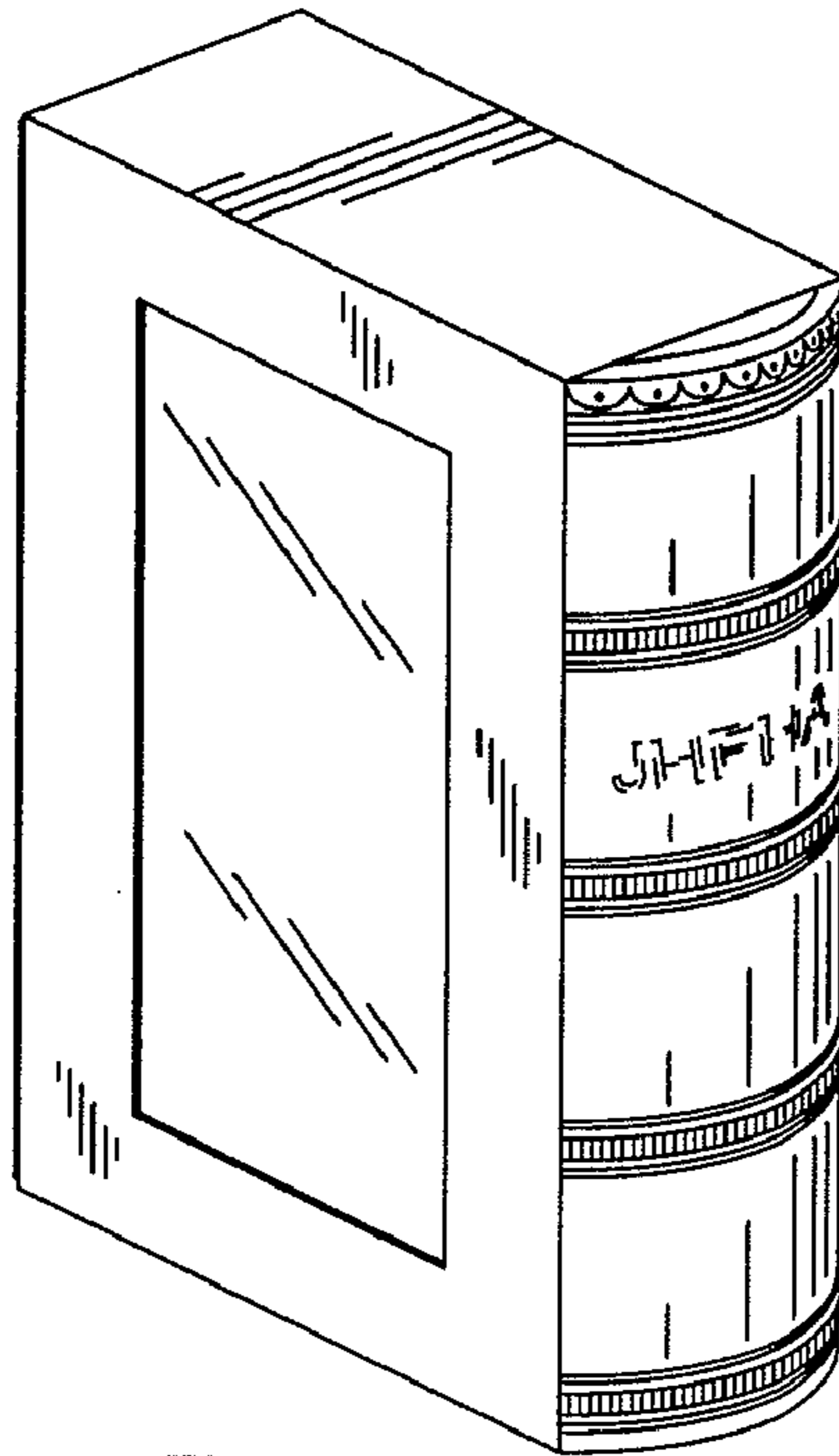


Fig. 1

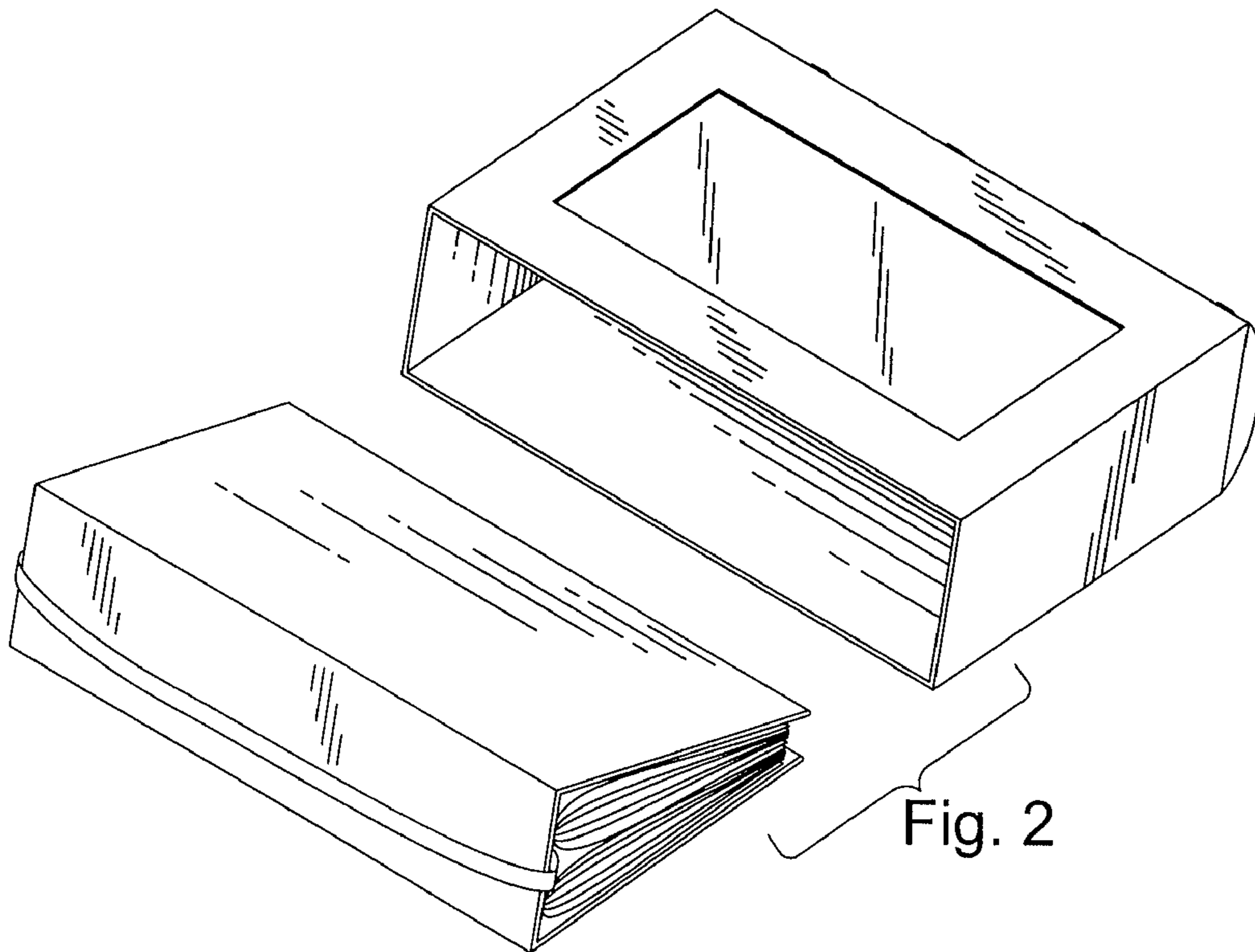


Fig. 2

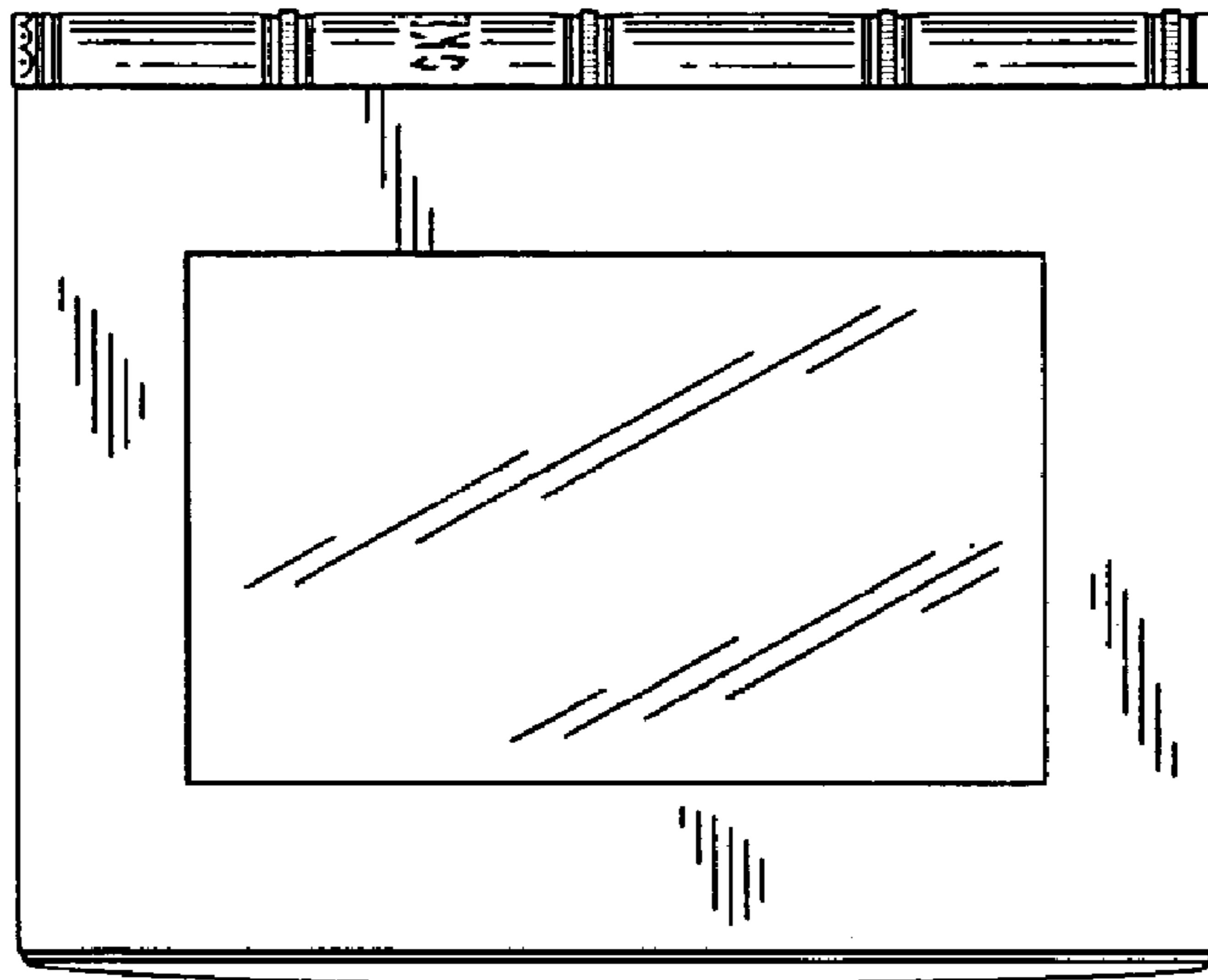


Fig. 3

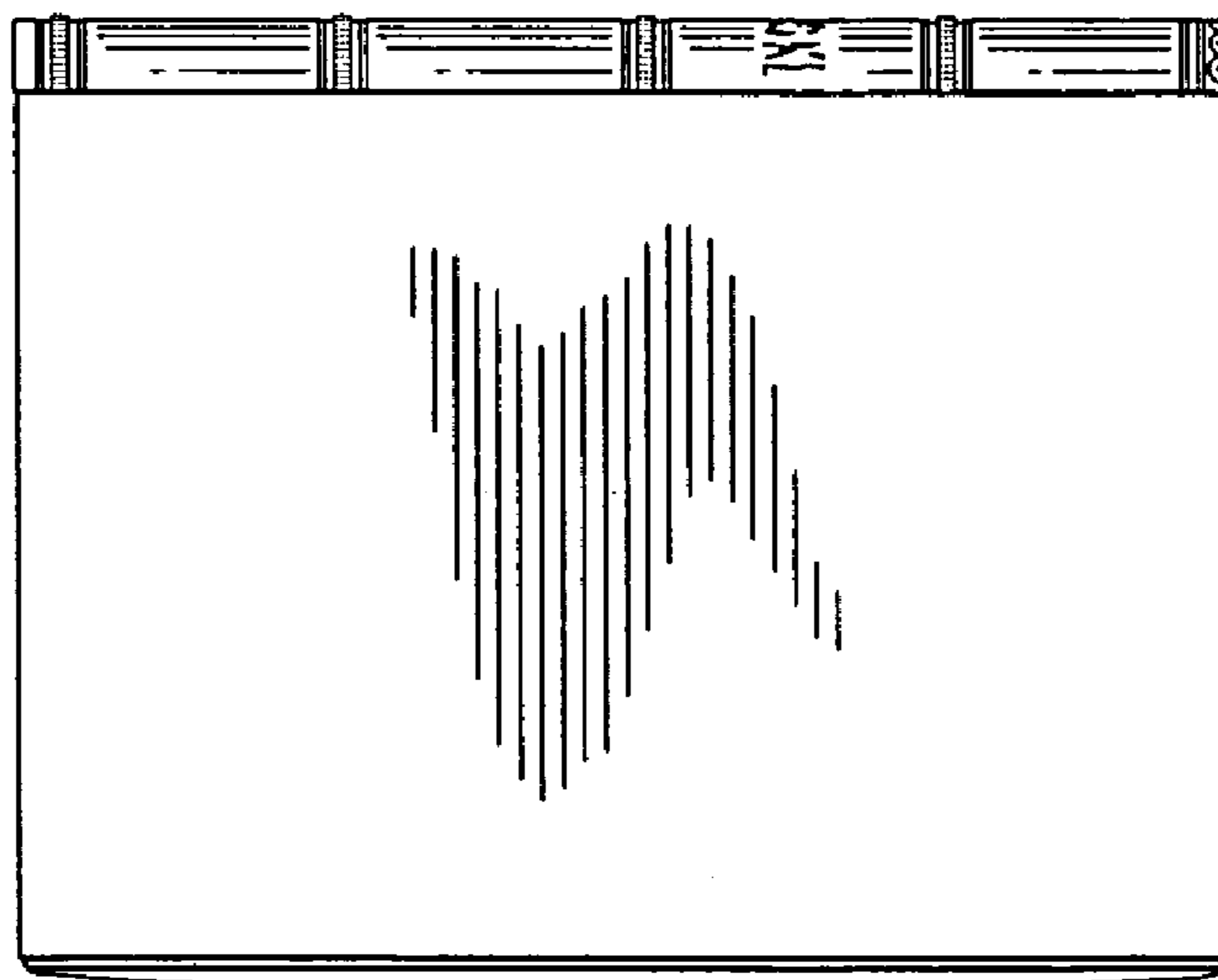


Fig. 4

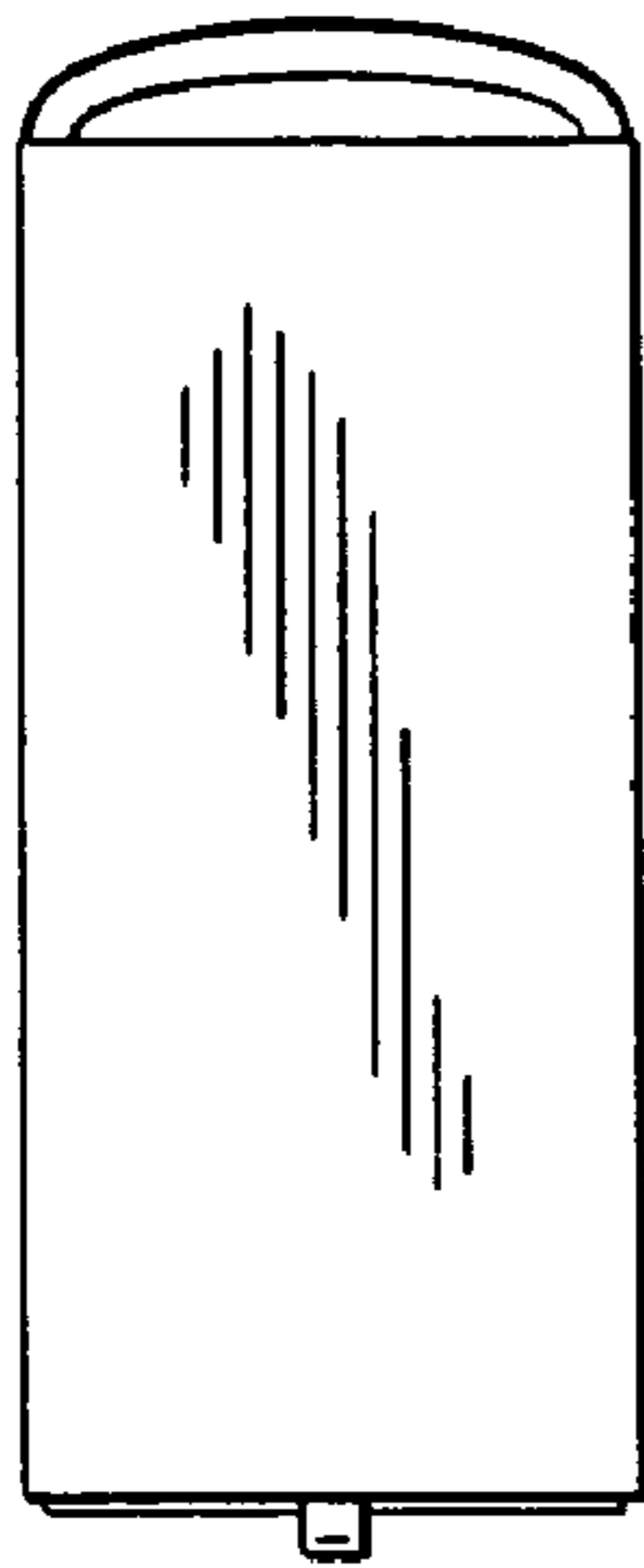


Fig. 5



Fig. 6

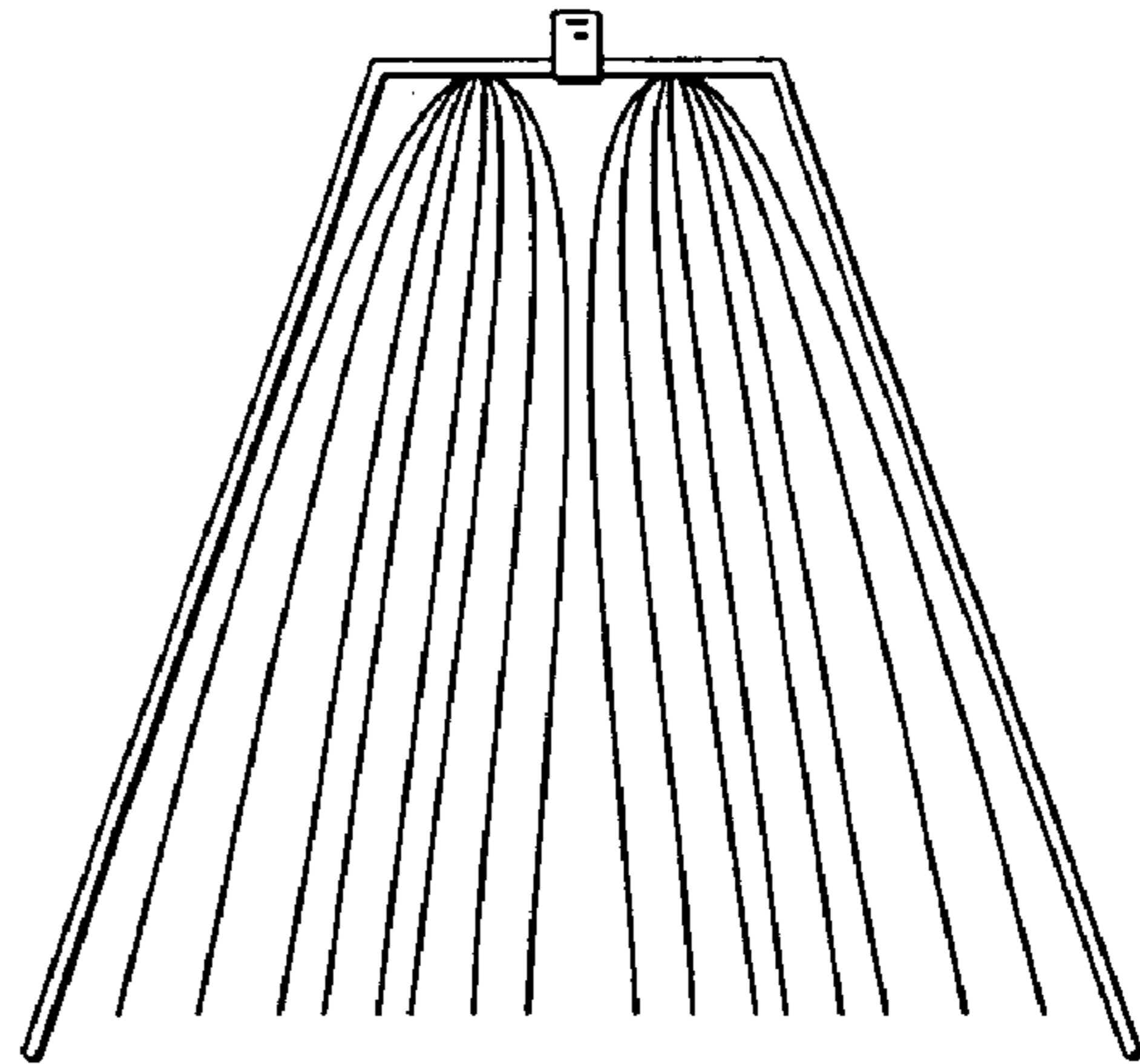


Fig. 7

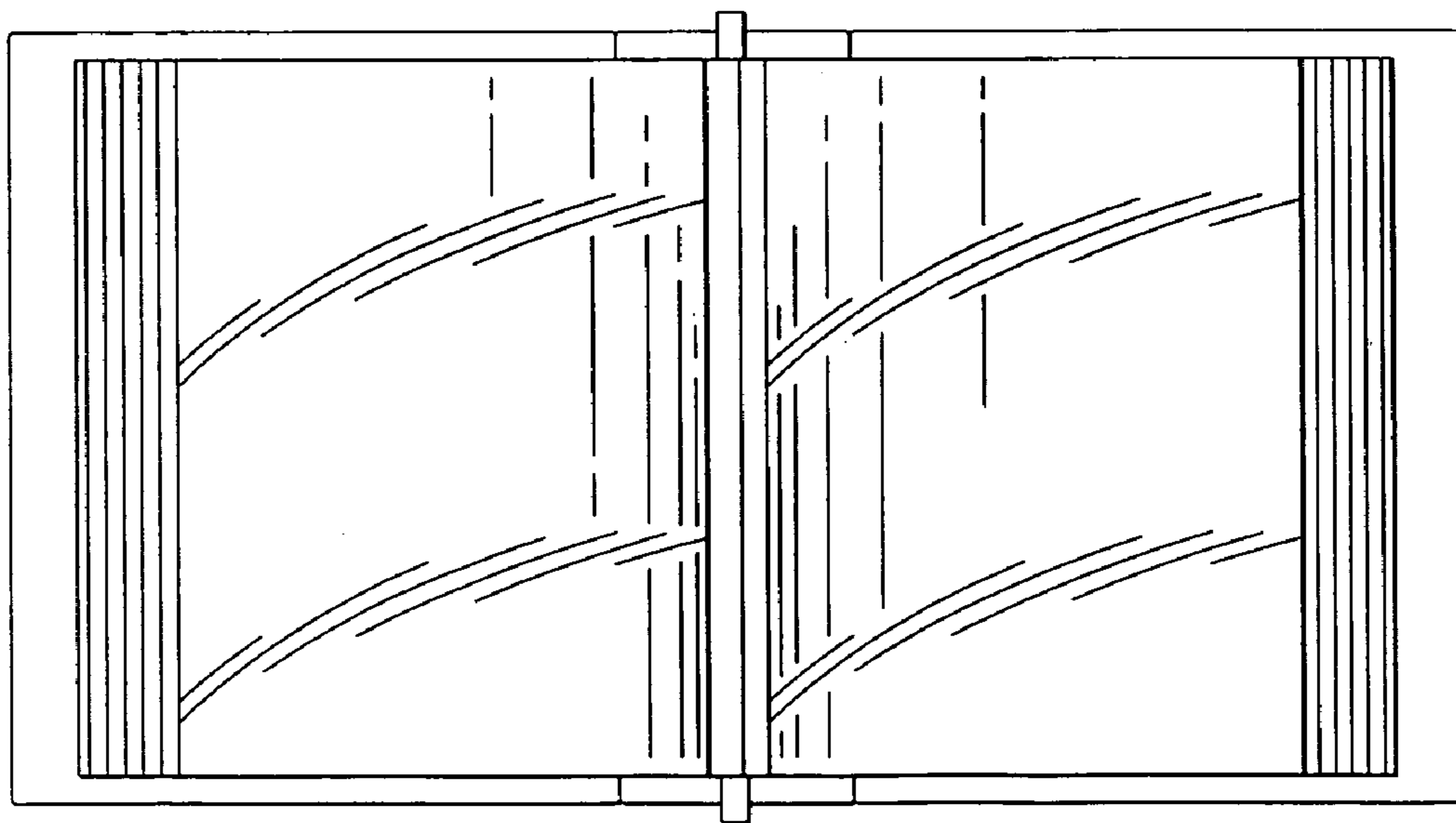


Fig. 8

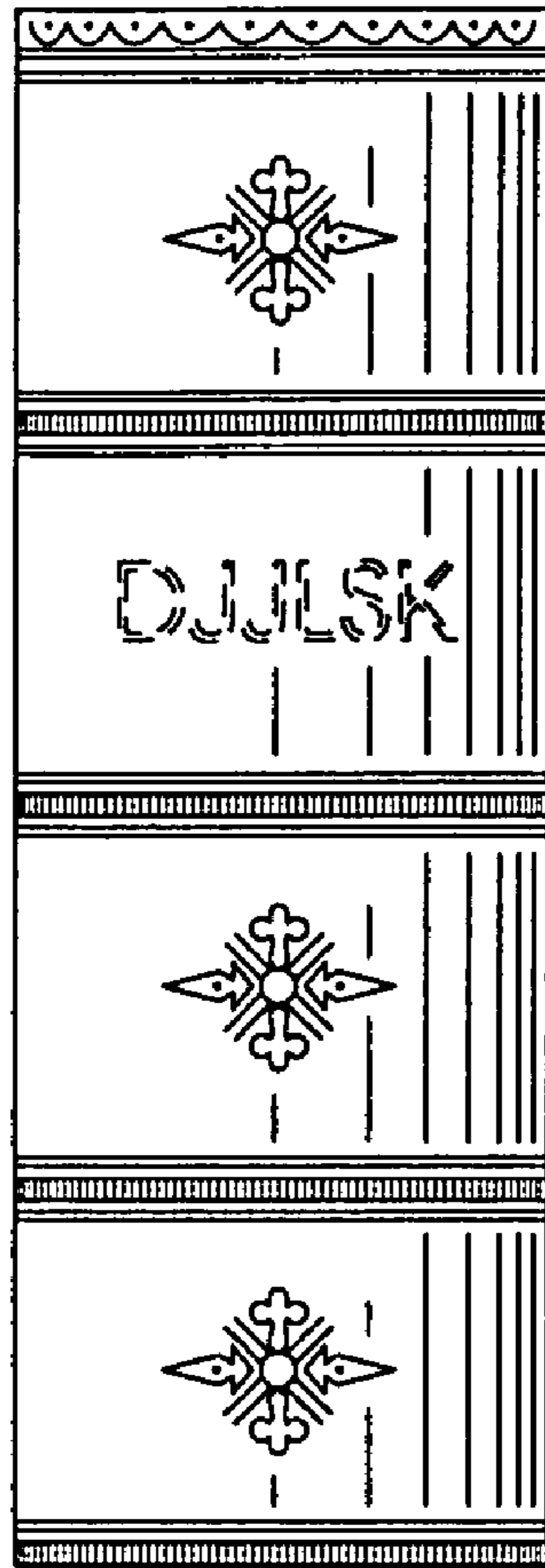


Fig. 9