



US00D551288S

(12) **United States Design Patent**
Muranaka

(10) **Patent No.:** **US D551,288 S**

(45) **Date of Patent:** **** Sep. 18, 2007**

(54) **INK POUCH FOR A PRINTER INK CARTRIDGE**

(75) Inventor: **Masakazu Muranaka**, Tokyo (JP)

(73) Assignee: **Ricoh Company, Ltd.**, Tokyo (JP)

(**) Term: **14 Years**

(21) Appl. No.: **29/232,814**

(22) Filed: **Jun. 24, 2005**

Related U.S. Application Data

(63) Continuation of application No. 29/193,083, filed on Nov. 4, 2003, now abandoned.

(30) **Foreign Application Priority Data**

May 9, 2003 (JP) 2003-012860

(51) **LOC (8) Cl.** **18-02**

(52) **U.S. Cl.** **D18/56; 346/86**

(58) **Field of Classification Search** D18/40,
D18/43, 56; 347/33, 49, 50, 85, 86-87; 399/110
See application file for complete search history.

(56) **References Cited**

U.S. PATENT DOCUMENTS

4,669,124 A * 5/1987 Kimura 383/80
D341,157 S * 11/1993 Kitahara et al. D18/56

5,307,091 A * 4/1994 DeCoste, Jr. 347/86
5,691,755 A * 11/1997 Pawlowski et al. 347/86
5,872,584 A * 2/1999 Hauck et al. 347/86
6,116,723 A * 9/2000 Childers 347/85
6,220,702 B1 * 4/2001 Nakamura et al. 347/86
D444,814 S * 7/2001 Hunt D18/56
D451,542 S * 12/2001 Ishizawa et al. D18/56
6,425,661 B1 * 7/2002 Silverbrook et al. 347/86
6,471,333 B1 * 10/2002 Powell et al. 347/86
6,609,789 B1 * 8/2003 Hunt 347/86
6,692,116 B2 * 2/2004 Pan et al. 347/85

* cited by examiner

Primary Examiner—Cathy Anne MacCormac

(74) *Attorney, Agent, or Firm*—Dickstein Shapiro LLP

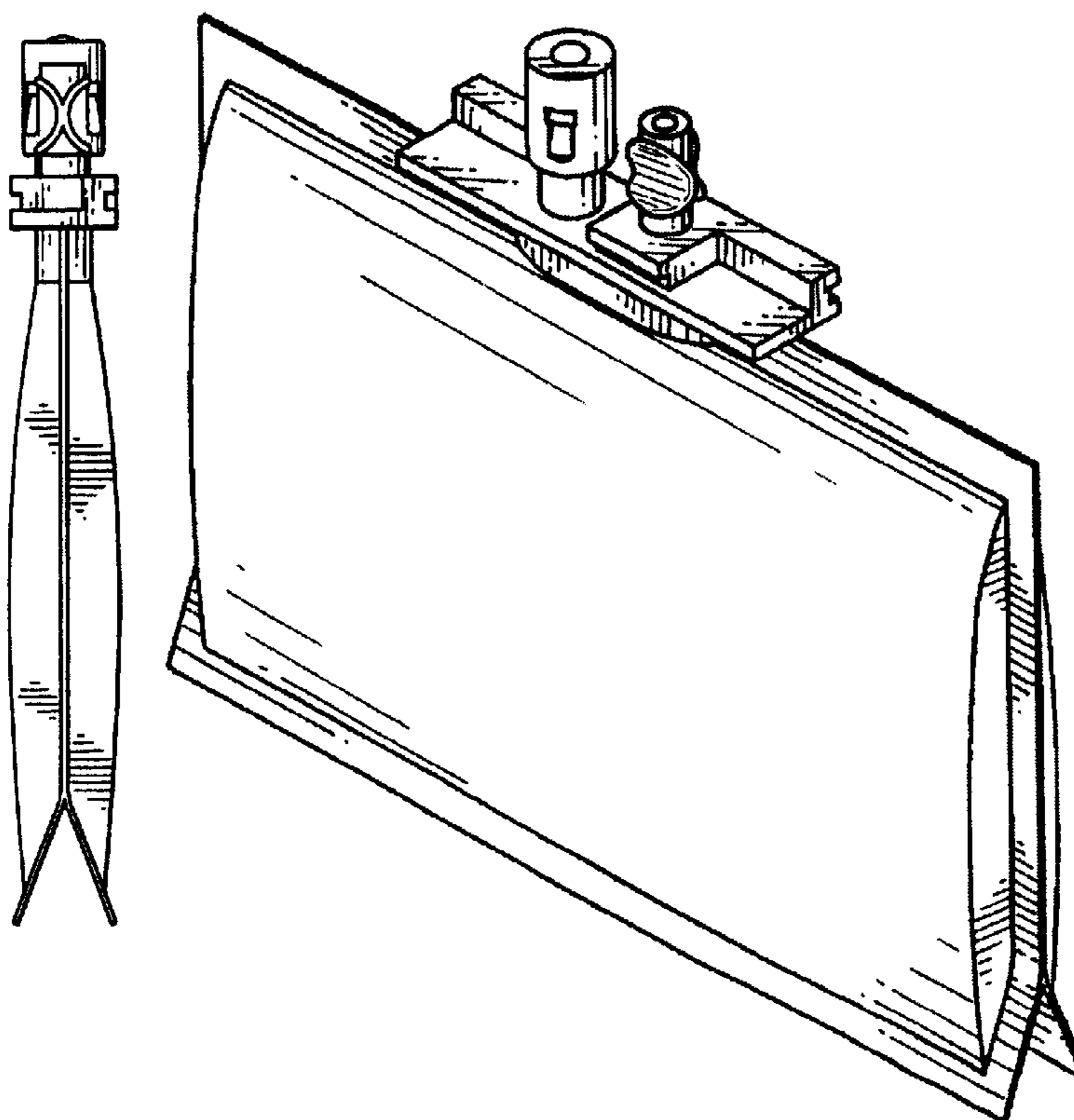
(57) **CLAIM**

The ornamental design for an ink pouch for a printer ink cartridge, as shown and described.

DESCRIPTION

FIG. 1 is a front elevation of an ink pouch for a printer ink cartridge according to the present invention;
FIG. 2 is a rear elevation thereof;
FIG. 3 is a top plan view thereof;
FIG. 4 is a bottom plan view thereof;
FIG. 5 is a right side elevation thereof;
FIG. 6 is a left side elevation thereof; and,
FIG. 7 is a top, front and right side perspective view thereof.

1 Claim, 4 Drawing Sheets



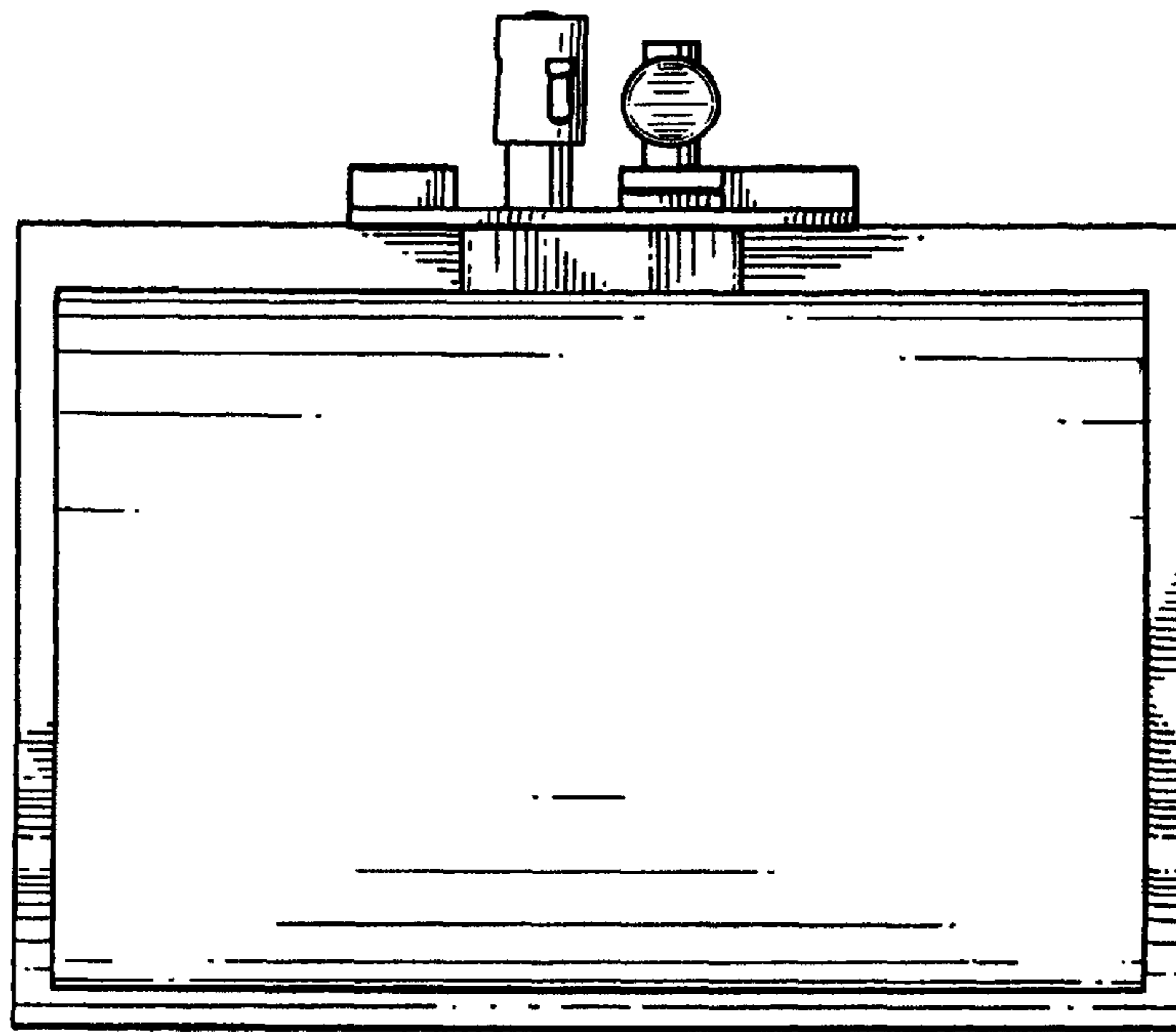


FIG. 1

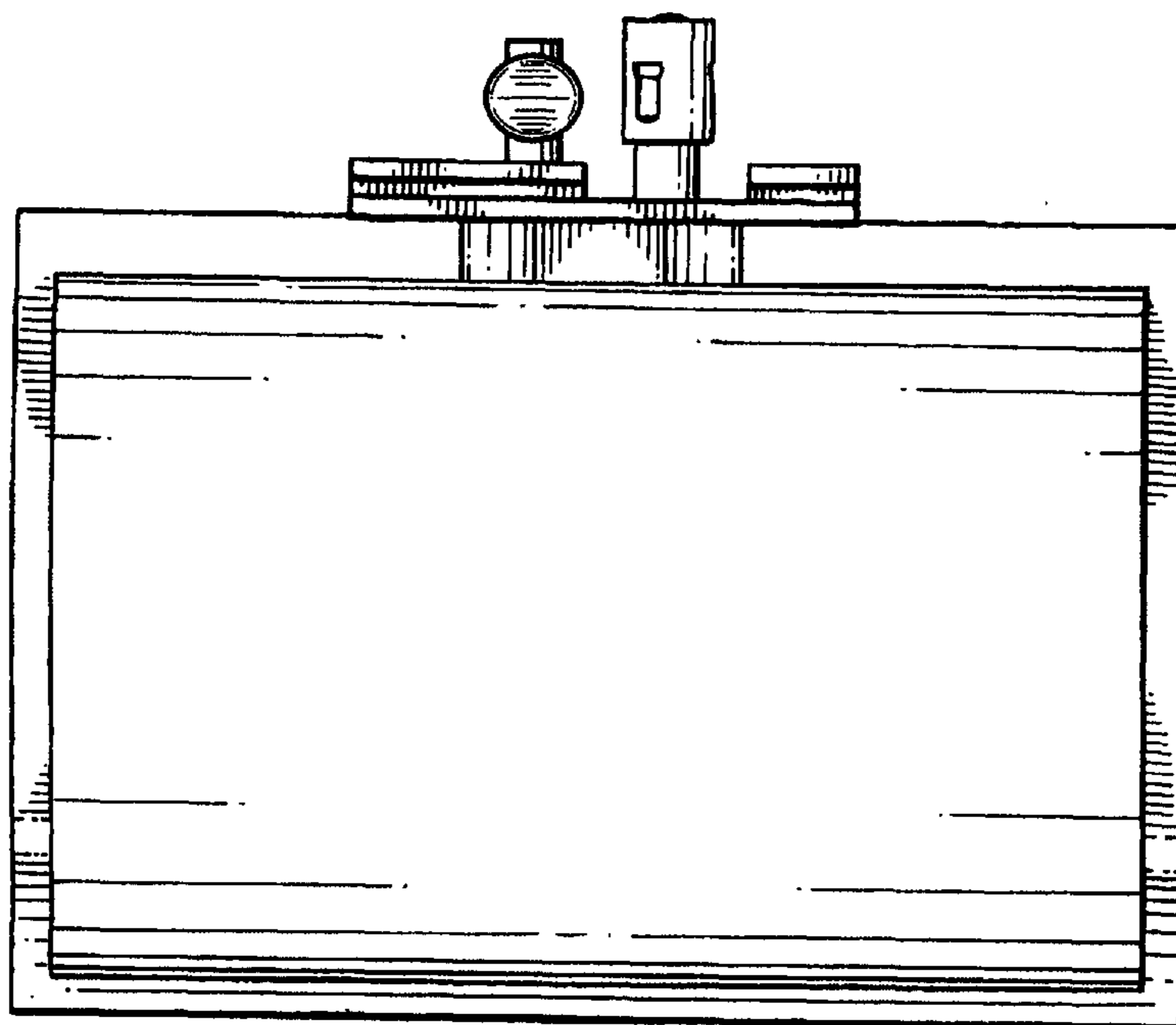


FIG. 2

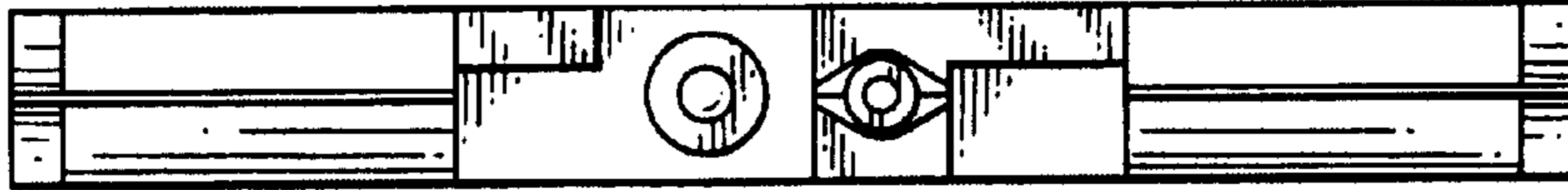


FIG. 3

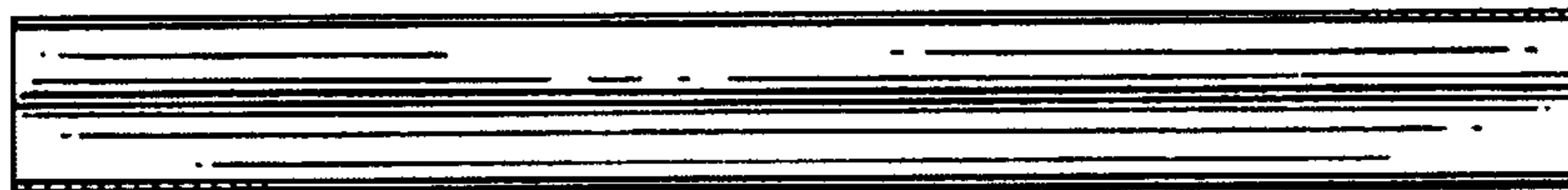


FIG. 4

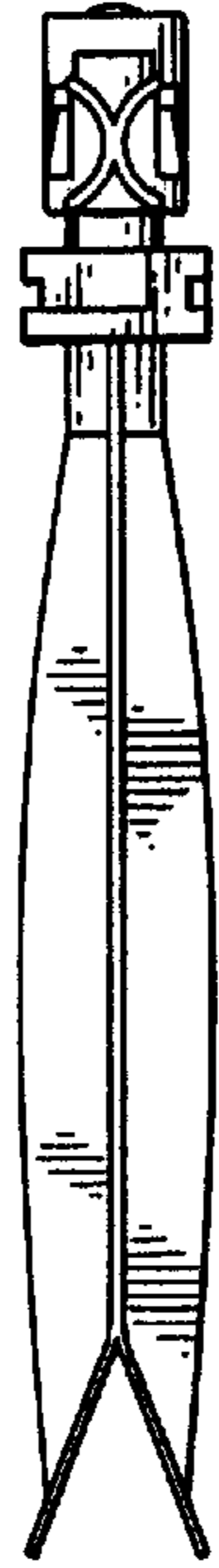


FIG. 5

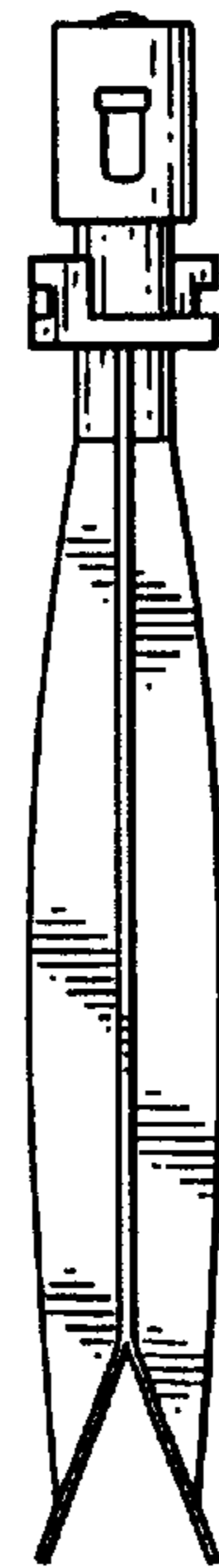


FIG. 6

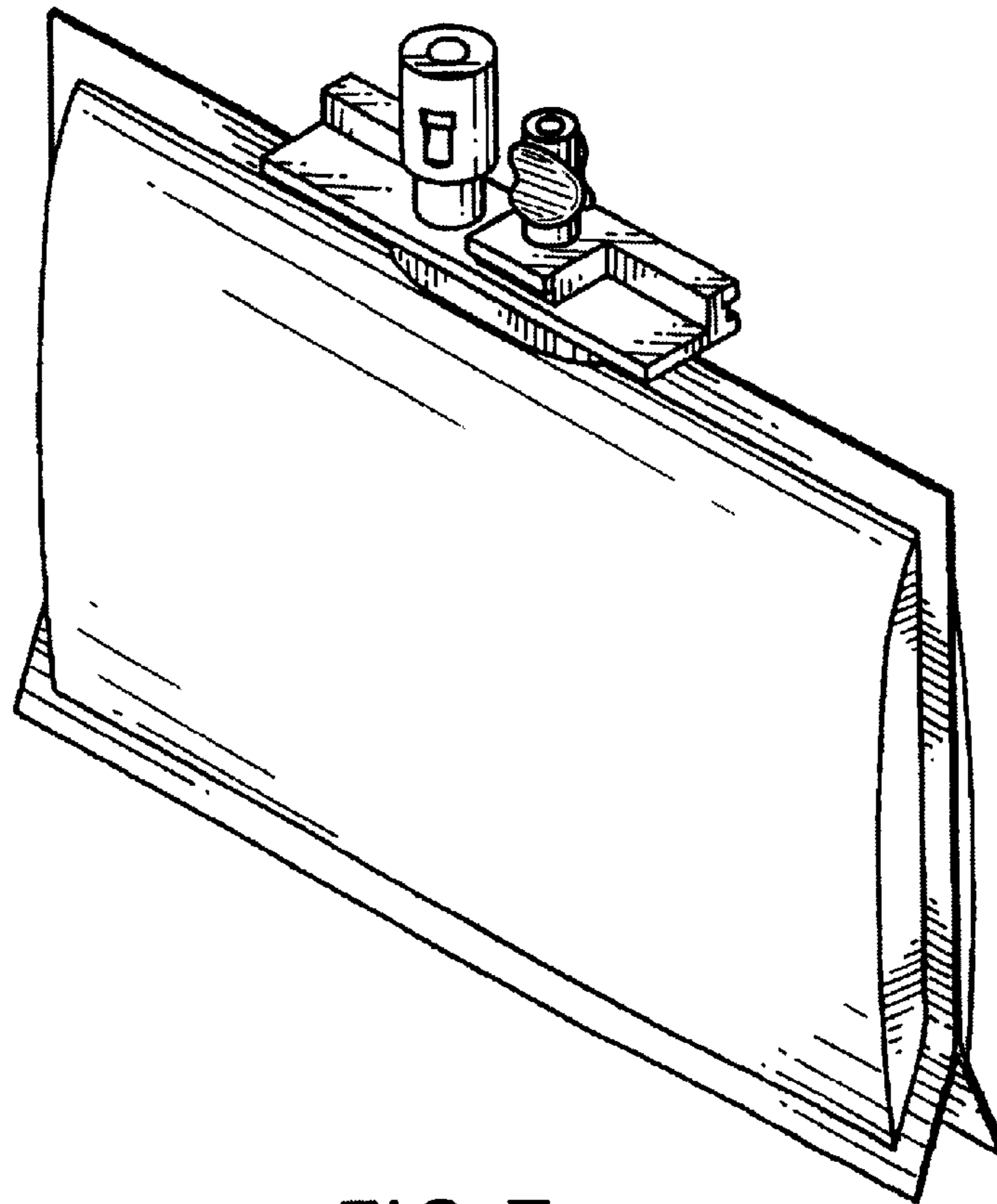


FIG. 7