



US00D551287S

(12) **United States Design Patent**
Ishigami et al.

(10) **Patent No.:** **US D551,287 S**

(45) **Date of Patent:** **** Sep. 18, 2007**

(54) **PRINTER**

(75) Inventors: **Michifumi Ishigami**, Nagoya (JP);
Sakiko Kobayashi, Nagoya (JP)

(73) Assignee: **Brother Industries, Ltd.**, Nagoya (JP)

(**) Term: **14 Years**

(21) Appl. No.: **29/225,724**

(22) Filed: **Mar. 21, 2005**

(30) **Foreign Application Priority Data**

Sep. 30, 2004 (JP) 2004-029818

(51) **LOC (8) Cl.** **14-02**

(52) **U.S. Cl.** **D18/50**

(58) **Field of Classification Search** D18/36-39,
D18/53-54, 54.1, 55; D14/420-425, 462-470;
399/107; 400/613, 613.1-613.4, 691-694.4;
D16/246-248, 237

See application file for complete search history.

(56) **References Cited**

U.S. PATENT DOCUMENTS

- D187,713 S * 4/1960 Barzman et al. D16/237
- D225,903 S * 1/1973 Short, Jr. D16/246
- D361,063 S * 8/1995 Stewart et al. D14/425
- D387,337 S * 12/1997 Sween et al. D14/420
- 6,081,422 A * 6/2000 Ganthier et al. D14/420
- D427,601 S * 7/2000 Liu D14/420
- D432,563 S * 10/2000 Lin et al. D18/50

- D451,950 S * 12/2001 Ohashi D18/50
- D454,128 S * 3/2002 Yamano et al. D14/420
- 6,367,996 B1 * 4/2002 Edwards 400/693
- D478,910 S * 8/2003 Khovaylo et al. D14/425
- D479,556 S * 9/2003 Hattori et al. D14/464
- D483,802 S * 12/2003 Hattori D18/50
- D484,532 S * 12/2003 Seo et al. D18/50
- D518,092 S * 3/2006 Hattori D18/55

* cited by examiner

Primary Examiner—Cathy Anne MacCormac

(74) *Attorney, Agent, or Firm*—Oliff & Berridge, PLC

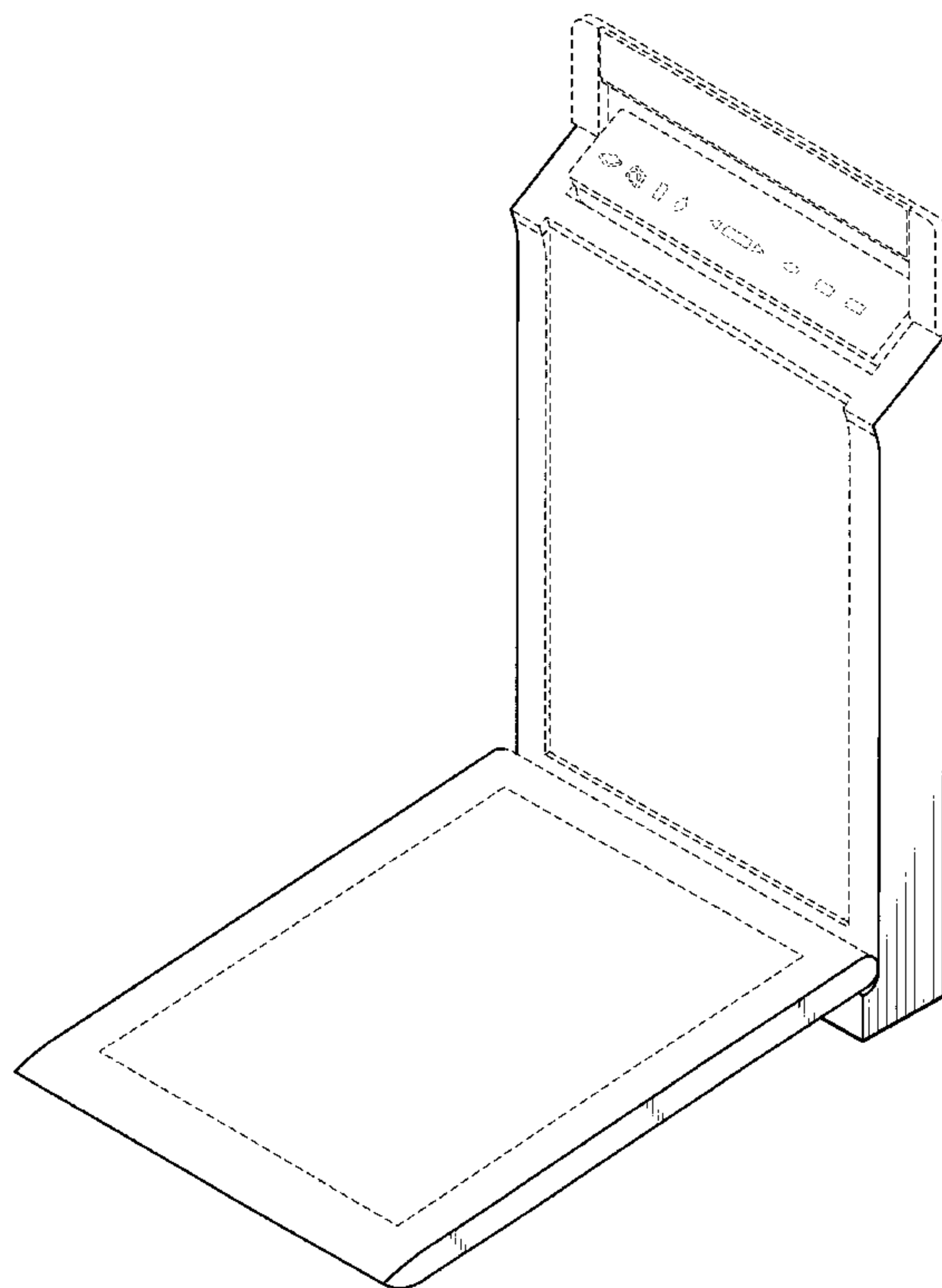
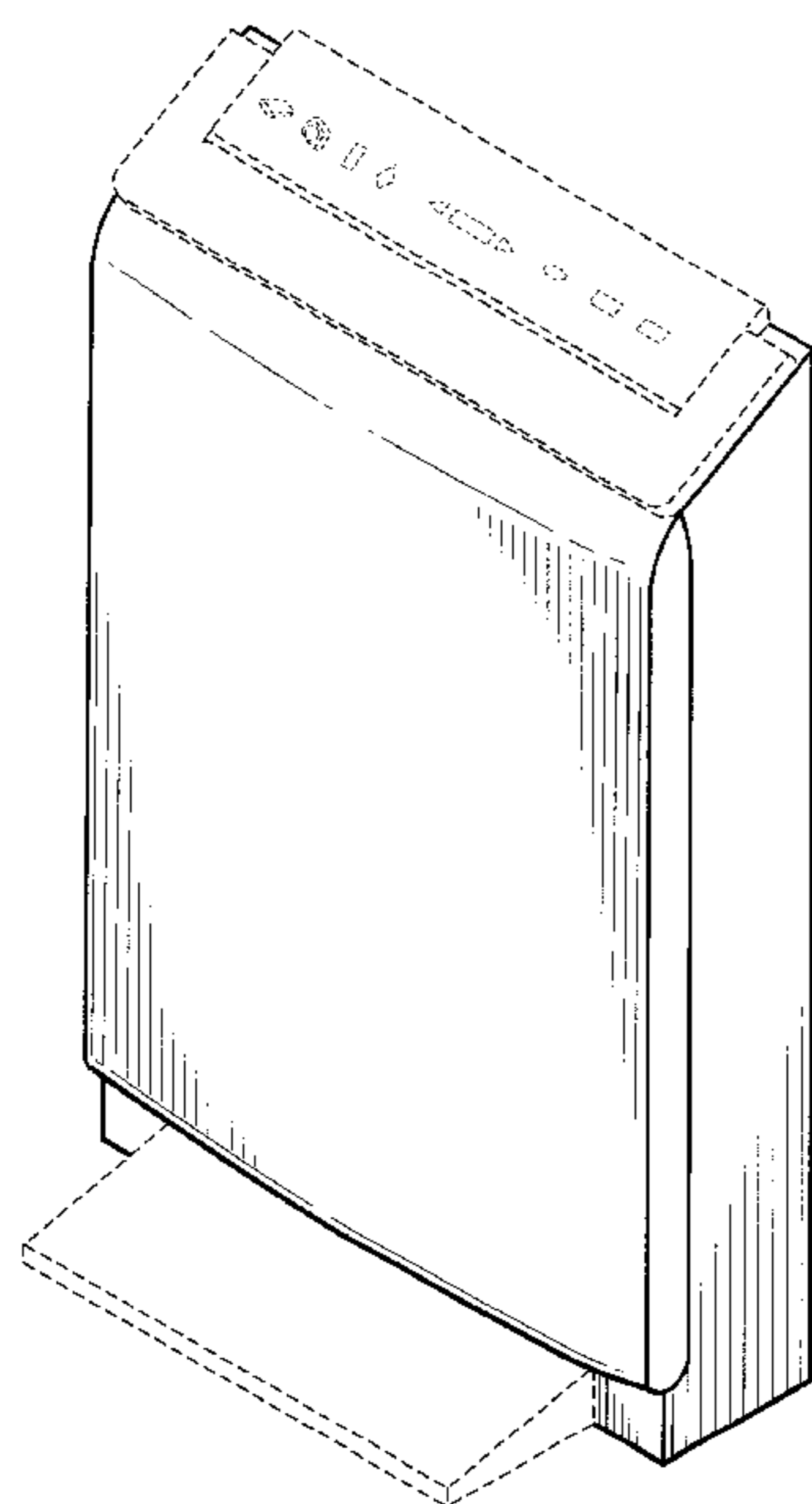
(57) **CLAIM**

The ornamental design for printer, as shown and described.

DESCRIPTION

FIG. 1 is a perspective view of a printer;
 FIG. 2 is a front view thereof;
 FIG. 3 is a top view thereof;
 FIG. 4 is a right view thereof;
 FIG. 5 is a left view thereof;
 FIG. 6 is a rear view thereof;
 FIG. 7 is a bottom view thereof;
 FIG. 8 is a perspective view thereof similar to FIG. 1, with a handle in an alternate position; and,
 FIG. 9 is a perspective view thereof similar to FIG. 1, with a scanner in an alternate position.
 The broken lines are for illustrative purposes only and form no part of the claimed design.

1 Claim, 6 Drawing Sheets



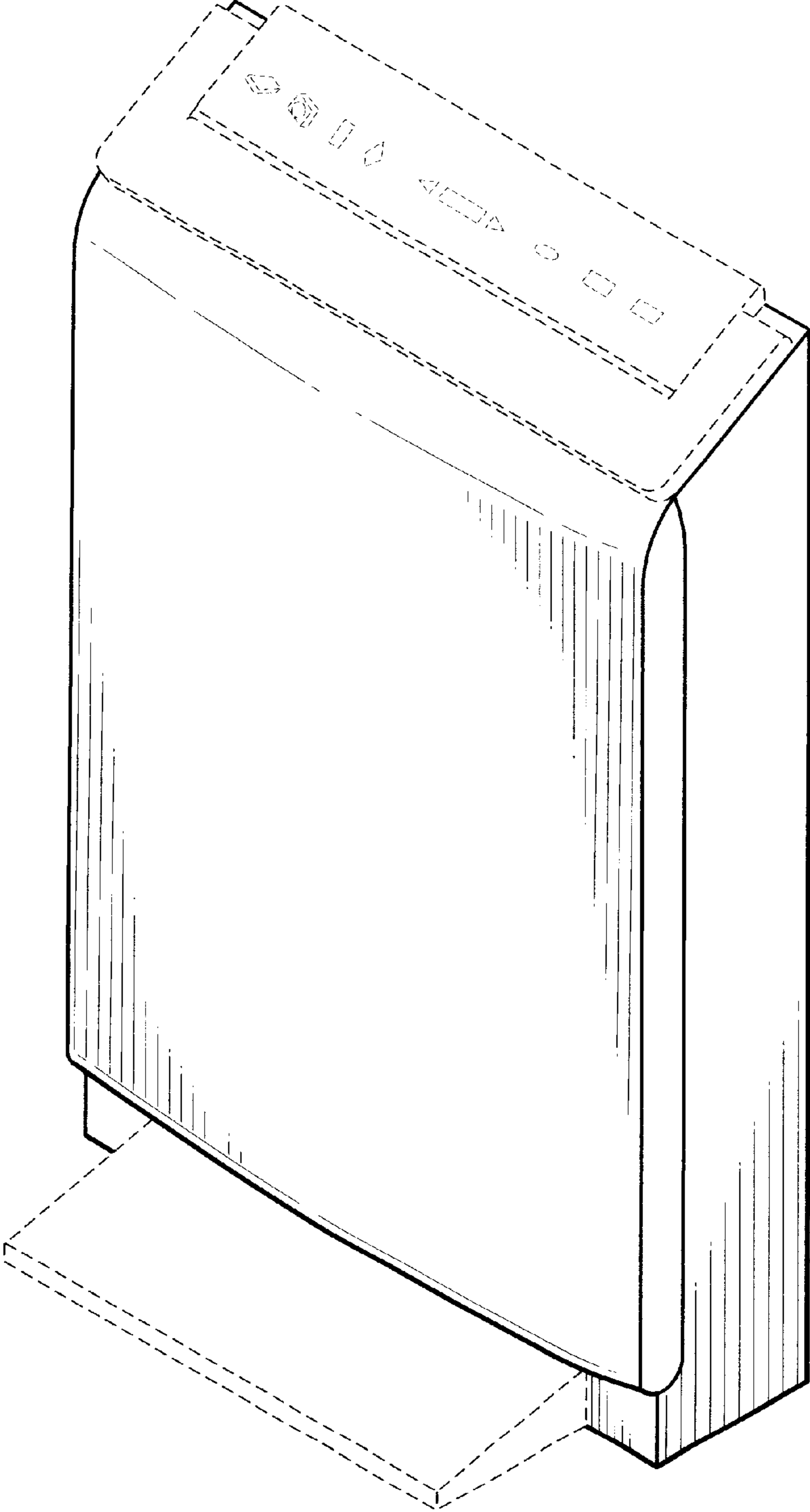
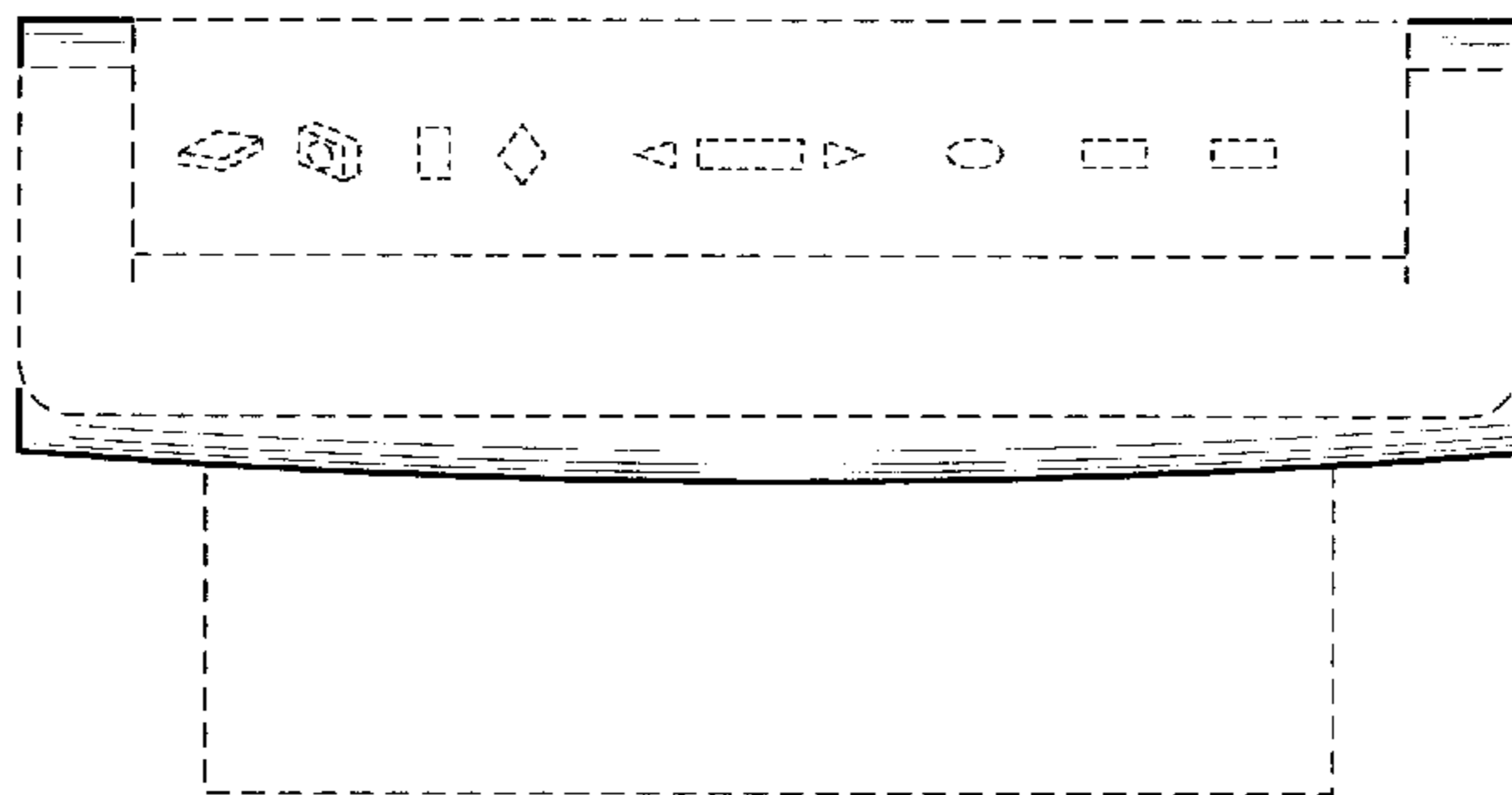


FIG. 1

FIG. 2



FIG. 3



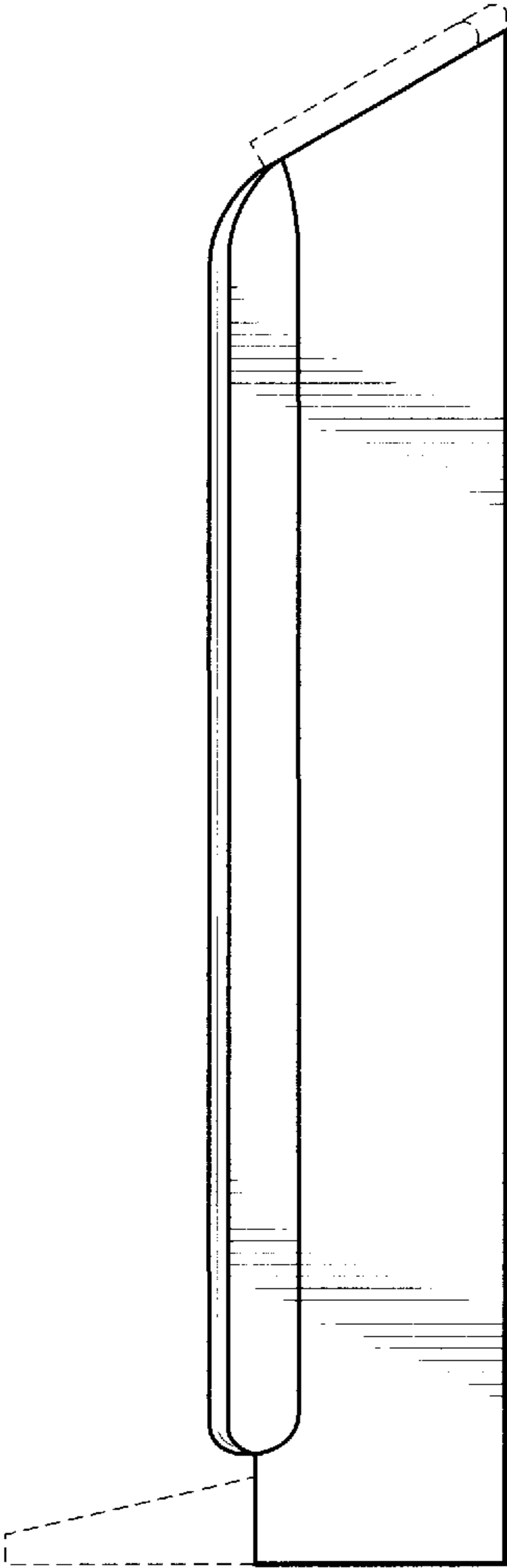


FIG. 4

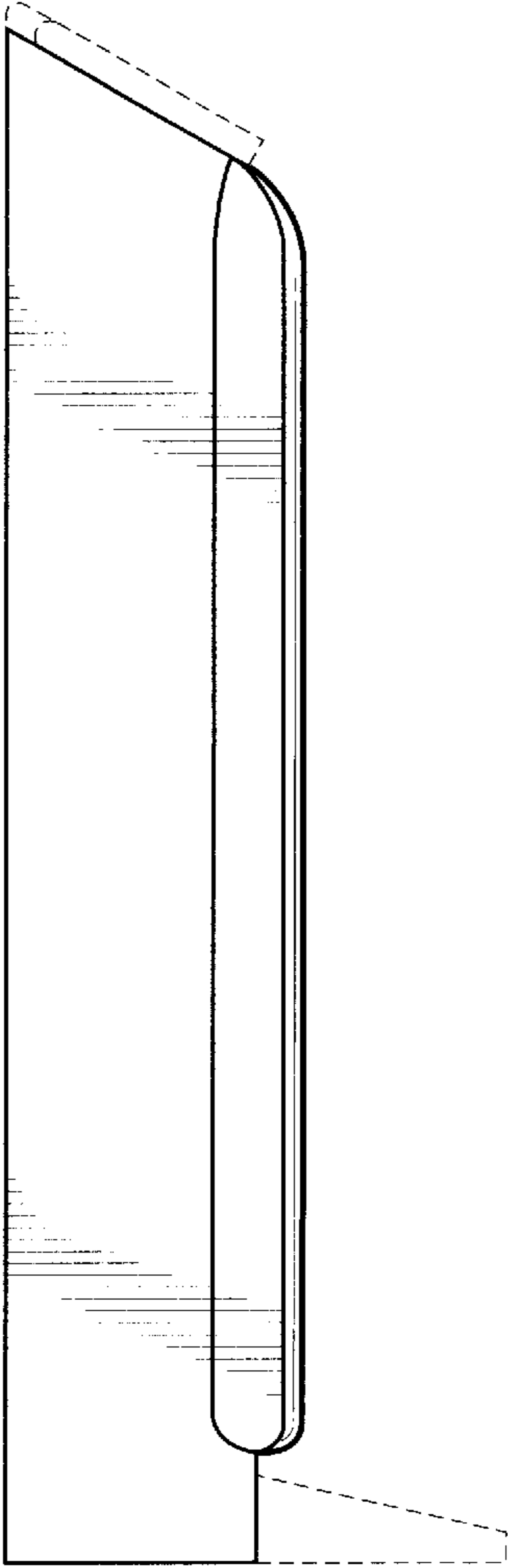


FIG. 5

FIG. 6

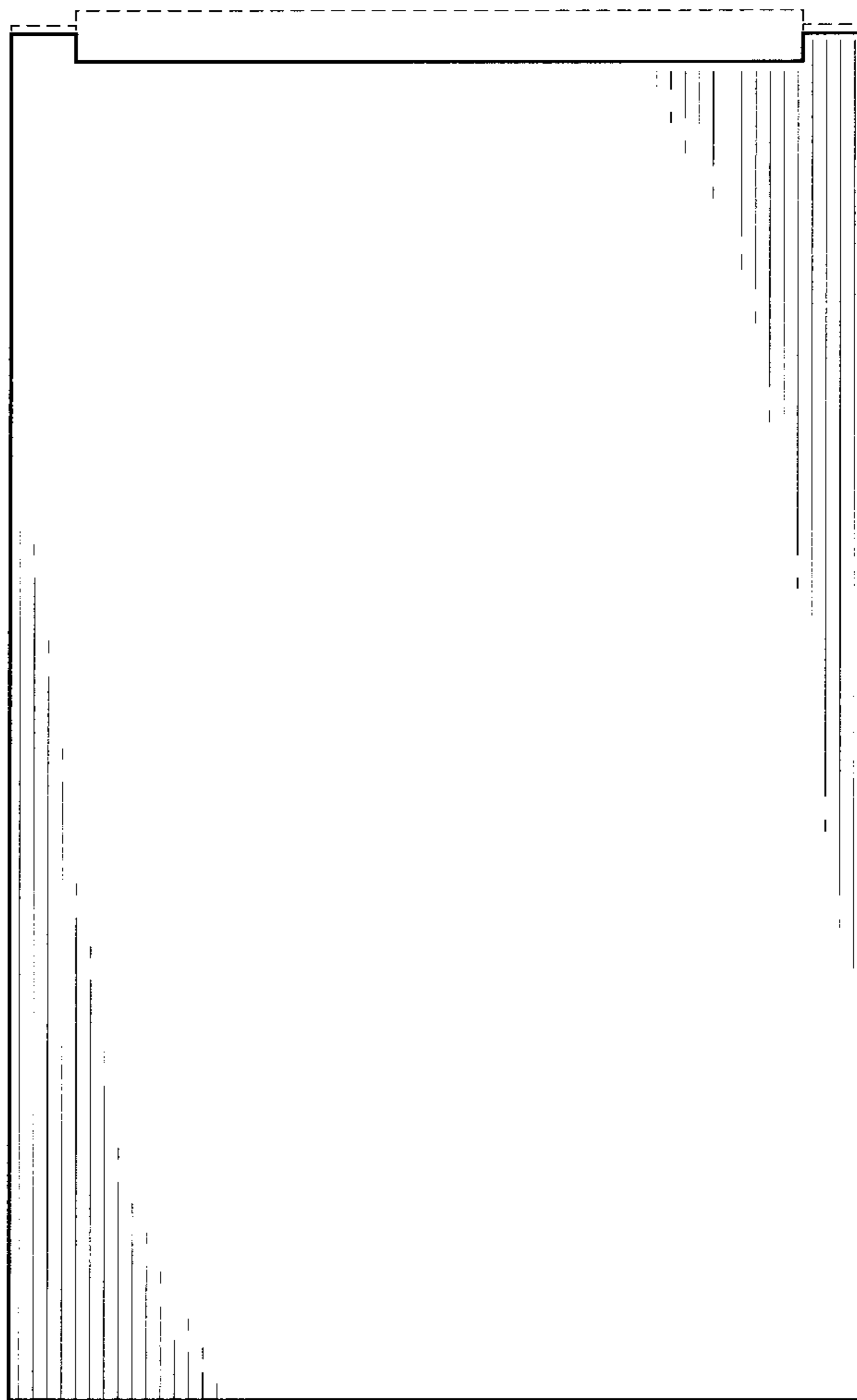
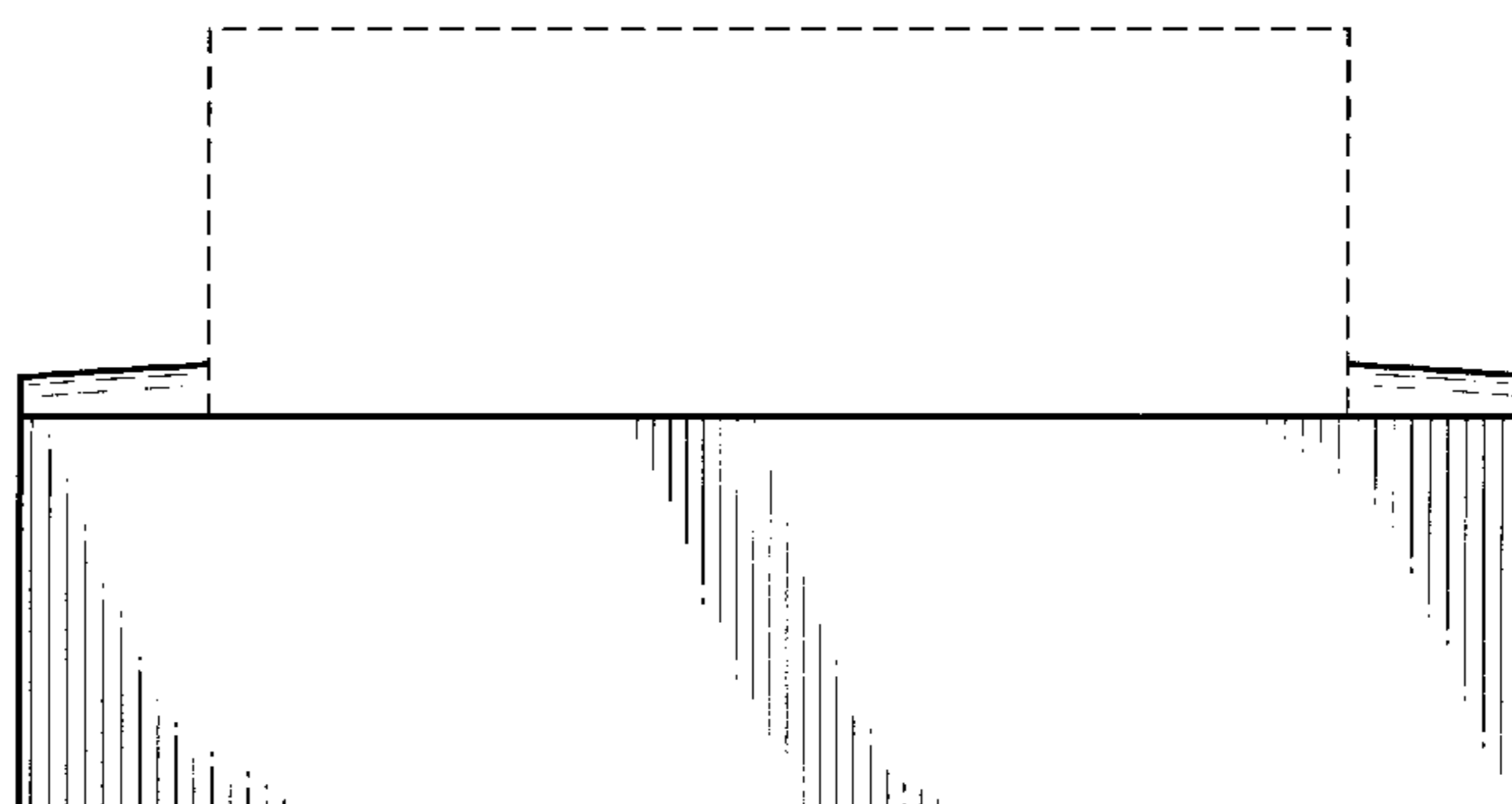


FIG. 7



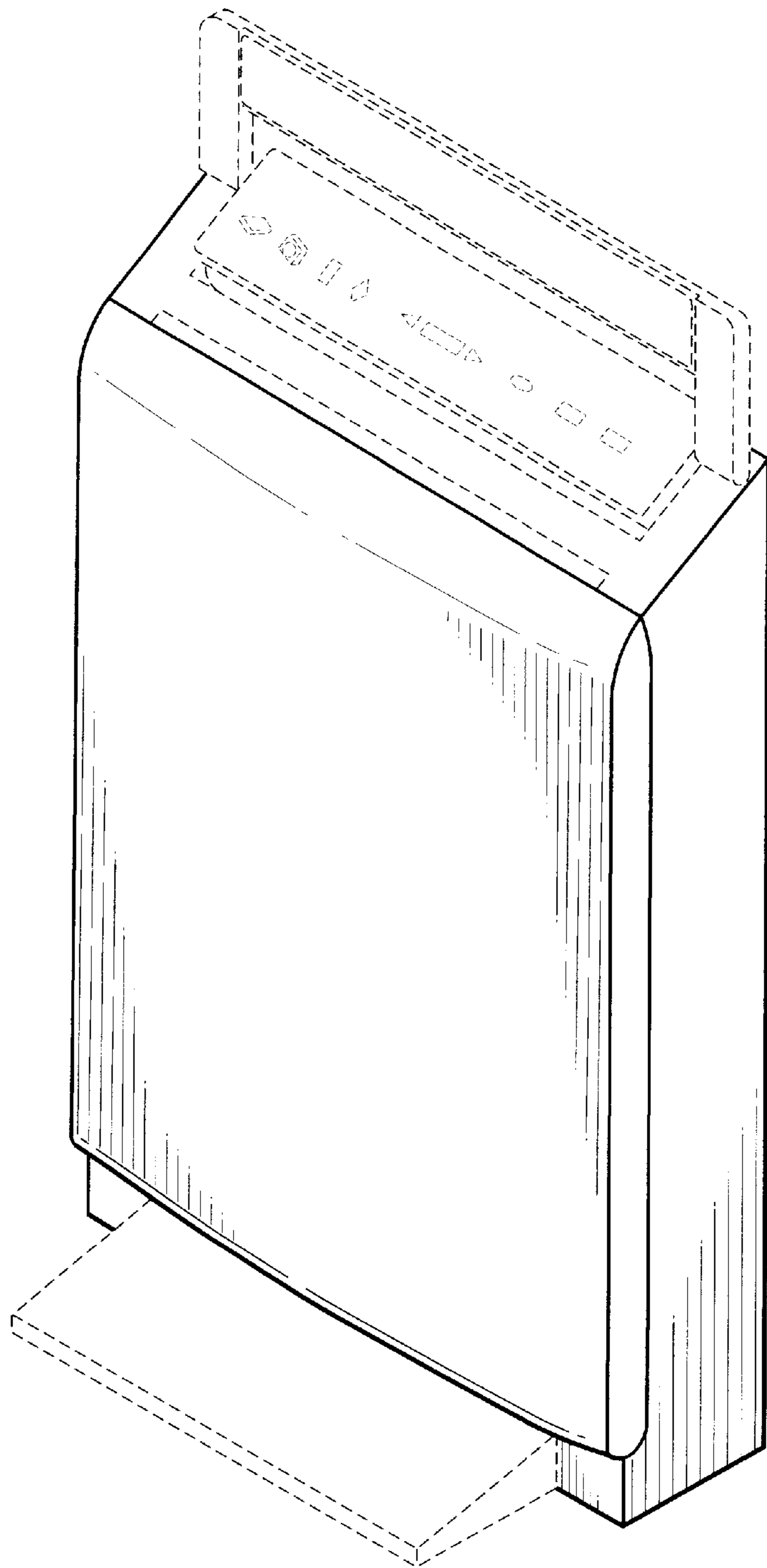


FIG. 8

