



US00D551285S

(12) **United States Design Patent** (10) **Patent No.:** **US D551,285 S**
Ishikawa et al. (45) **Date of Patent:** **** Sep. 18, 2007**

(54) **PHOTOSENSITIVE DRUM UNIT**
(75) Inventors: **Satoru Ishikawa**, Kasugai-gun (JP);
Takeyuki Takagi, Nagoya (JP)
(73) Assignee: **Brother Industries, Ltd.**, Nagoya (JP)
(**) Term: **14 Years**

D471,583 S 3/2003 Okabe et al.
D496,395 S * 9/2004 Miyagawa D18/40
D507,295 S 7/2005 Ishii et al.
D509,239 S 9/2005 Ishii et al.
2002/0159787 A1* 10/2002 Chadani et al. 399/109
2004/0265000 A1* 12/2004 Okabe 399/110
2005/0117934 A1* 6/2005 Murayama et al. 399/111
2006/0093385 A1* 5/2006 Kamimura 399/27
2006/0233568 A1* 10/2006 Itabashi et al. 399/111

(21) Appl. No.: **29/245,309**
(22) Filed: **Dec. 22, 2005**

* cited by examiner

(30) **Foreign Application Priority Data**
Jul. 12, 2005 (JP) 2005-020419

Primary Examiner—Robert M. Spear
Assistant Examiner—Garth Rademaker
(74) *Attorney, Agent, or Firm*—Oliff & Berridge, PLC

(51) **LOC (8) Cl.** **16-03**
(52) **U.S. Cl.** **D18/43**
(58) **Field of Classification Search** D14/471;
D18/12, 36, 40, 43, 44, 56; 222/DIG. 1;
347/197, 222; 399/24–28, 107–112, 119,
399/121, 122, 222–224; 400/207, 208
See application file for complete search history.

(57) **CLAIM**

The ornamental design for photosensitive drum unit, as shown and described.

(56) **References Cited**

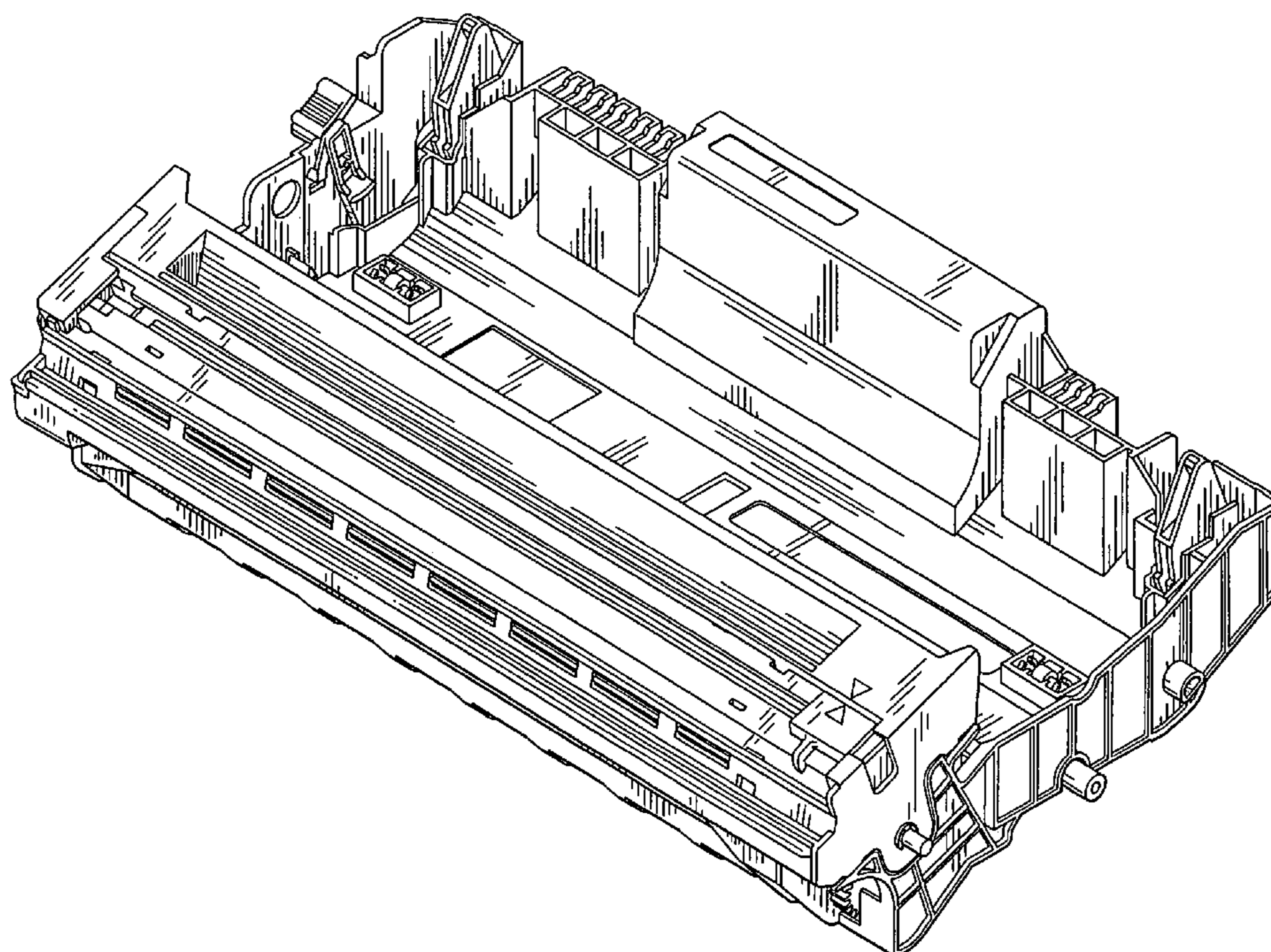
DESCRIPTION

U.S. PATENT DOCUMENTS

D356,331 S * 3/1995 Ishibashi et al. D18/43
5,404,198 A * 4/1995 Noda et al. 399/107
D362,014 S * 9/1995 Ishibashi et al. D18/43
D362,458 S * 9/1995 Suzuki et al. D18/43
D419,182 S * 1/2000 Tsuda et al. D18/43
D423,559 S 4/2000 Suzuki et al.
D447,511 S 9/2001 Kimura et al.
D450,344 S * 11/2001 Ito et al. D18/40
D460,980 S * 7/2002 Matsuzaki et al. D18/40

FIG. 1 is a top, rear, left side perspective view of a photosensitive drum unit;
FIG. 2 is a bottom, front, right side perspective view thereof;
FIG. 3 is a top, front, right side perspective view thereof;
FIG. 4 is a front view thereof, shown at an enlarged scale;
FIG. 5 is a top view thereof;
FIG. 6 is a right side view thereof;
FIG. 7 is a left side view thereof;
FIG. 8 is a rear view thereof; and,
FIG. 9 is a bottom view thereof.

1 Claim, 8 Drawing Sheets



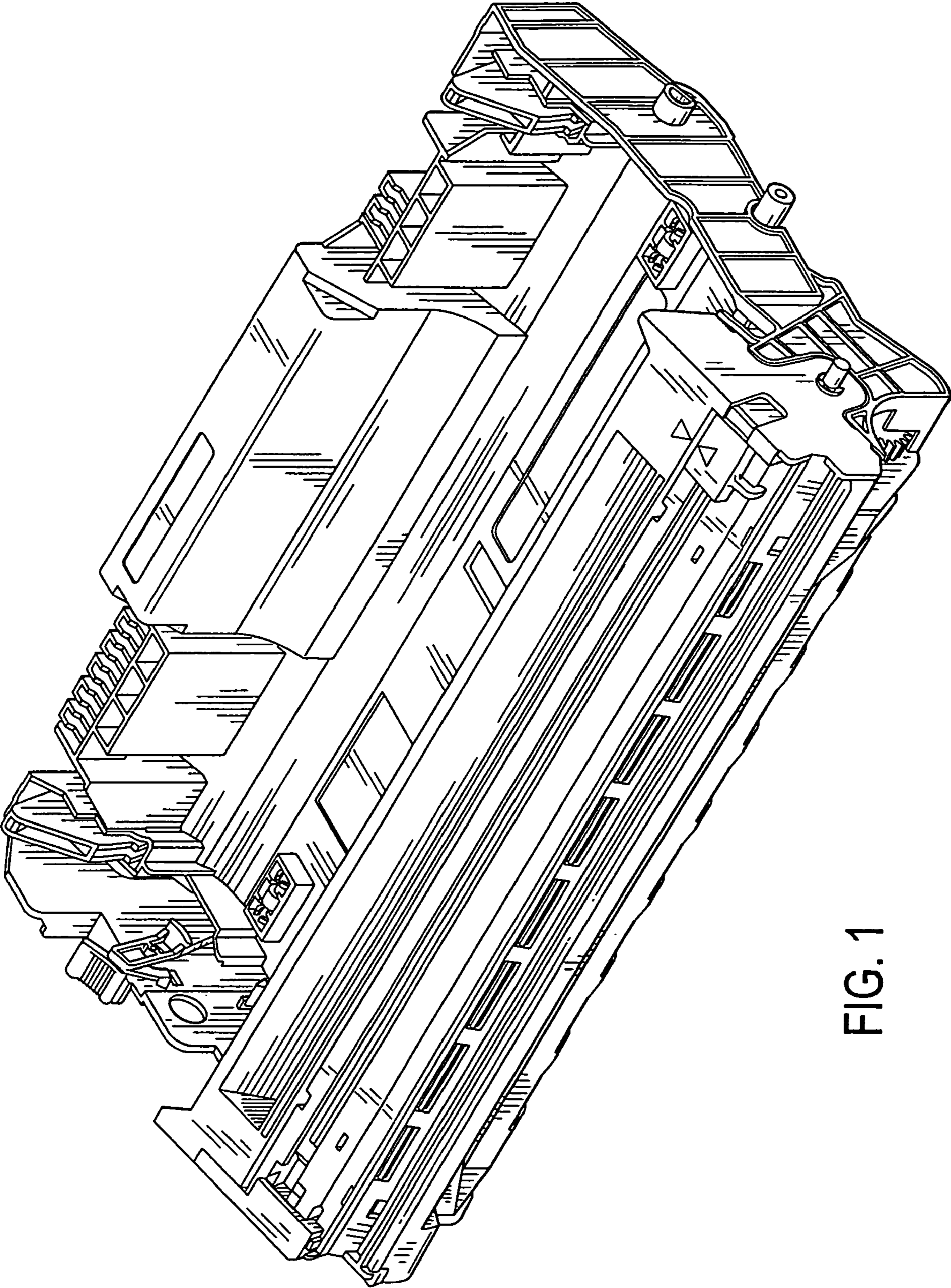


FIG. 1

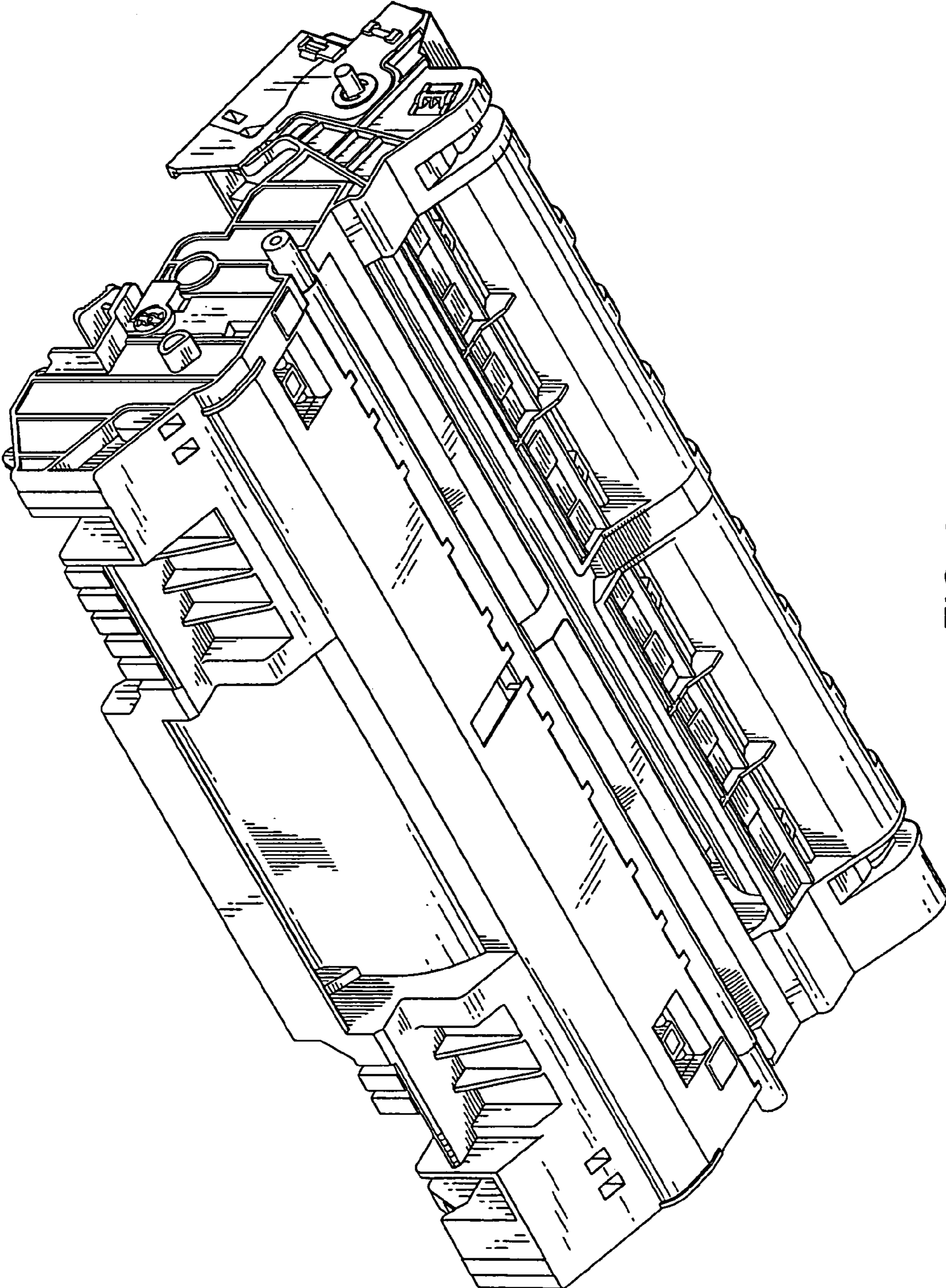


FIG. 2

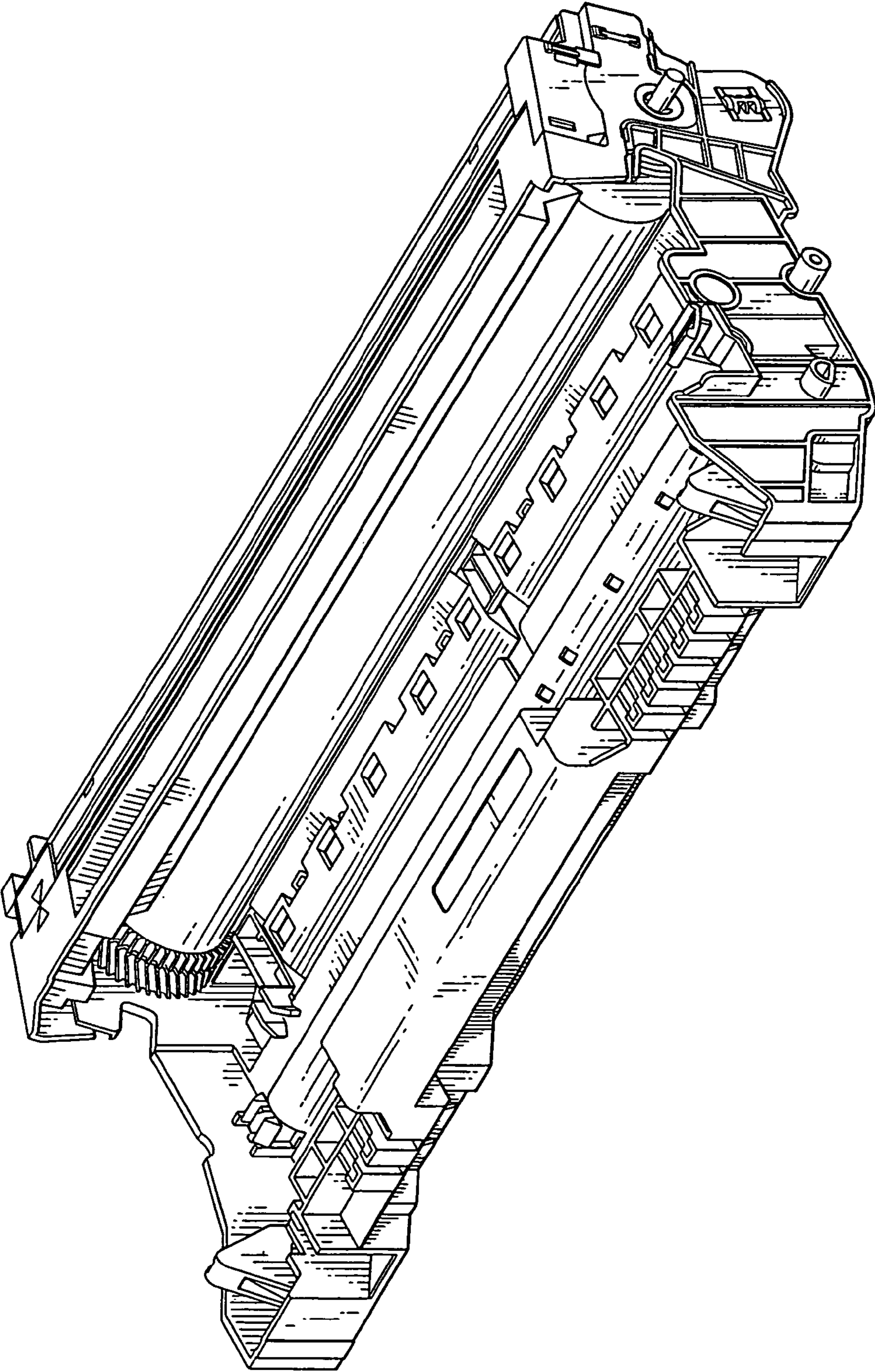


FIG. 3

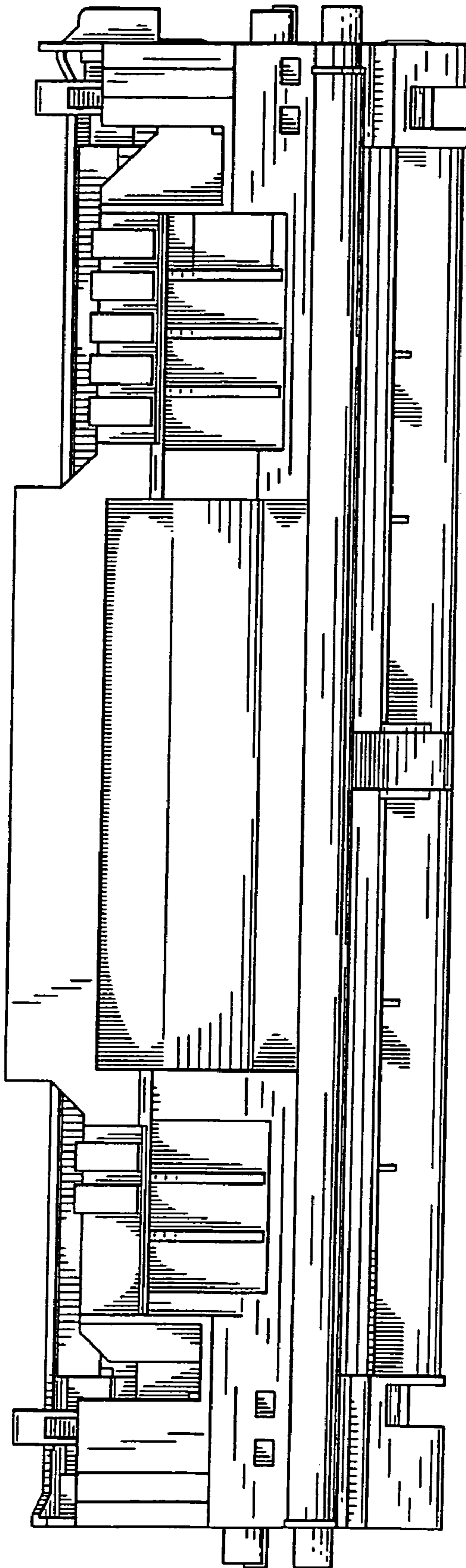


FIG. 4

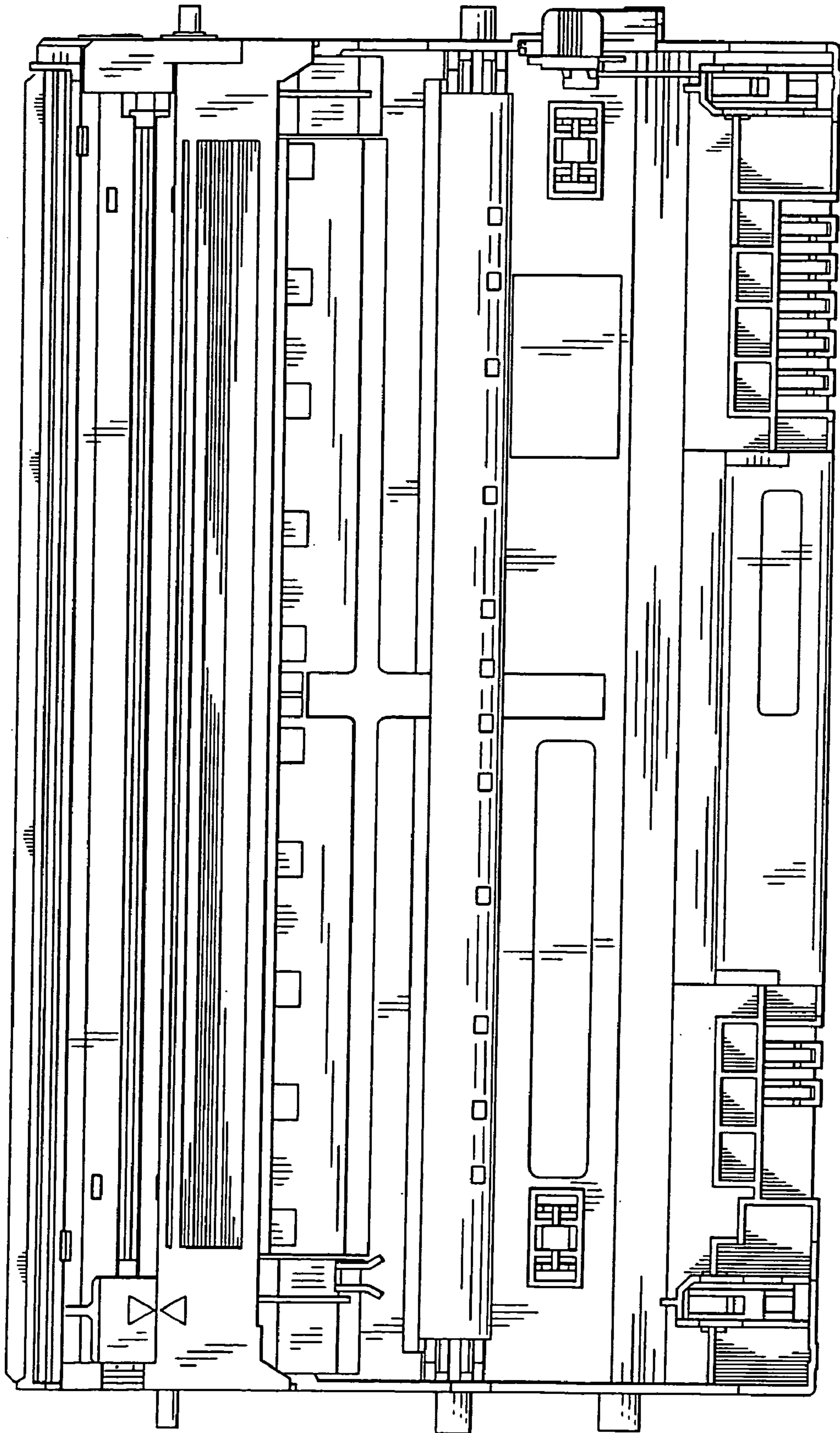


FIG. 5

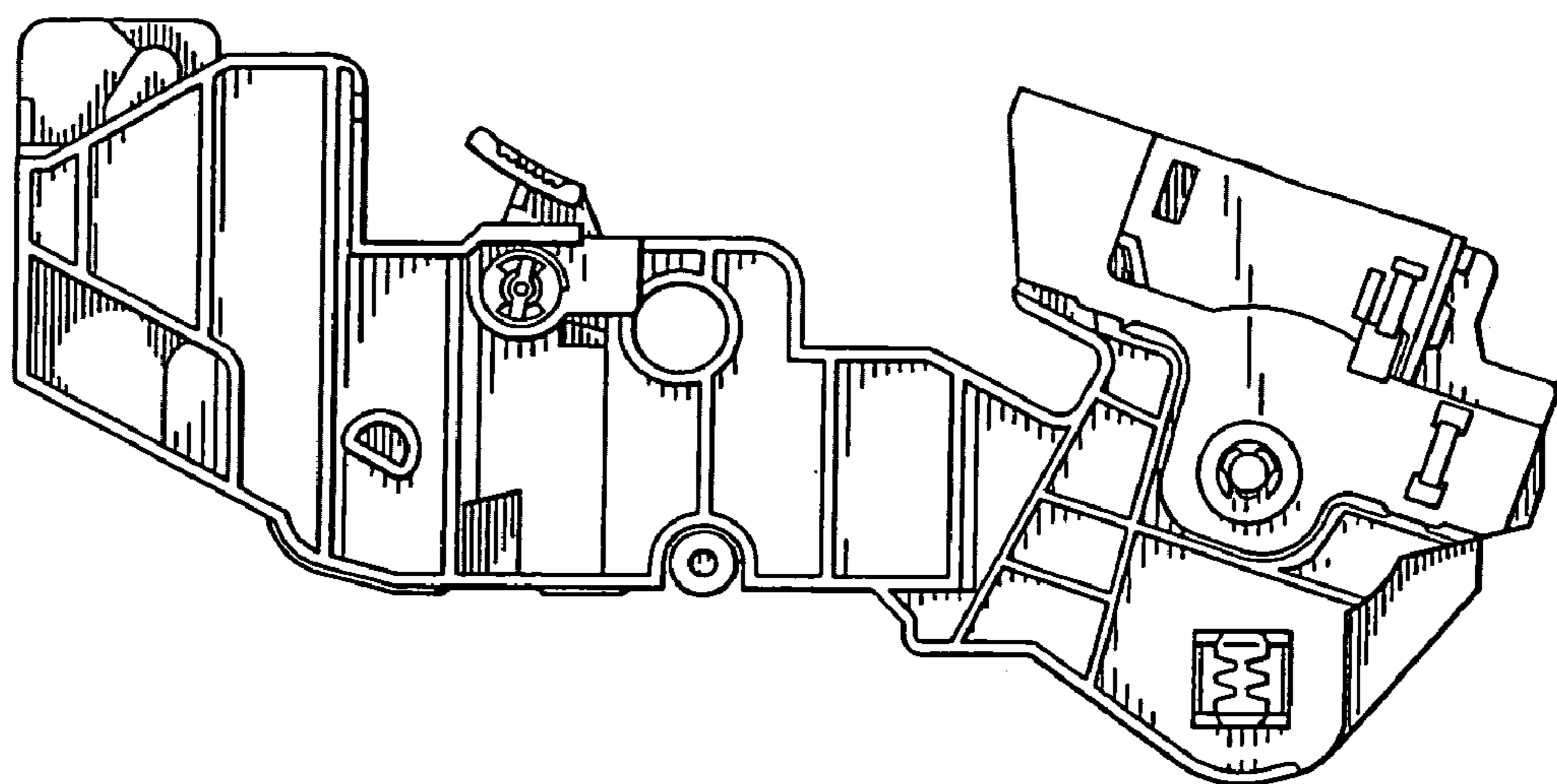


FIG. 6

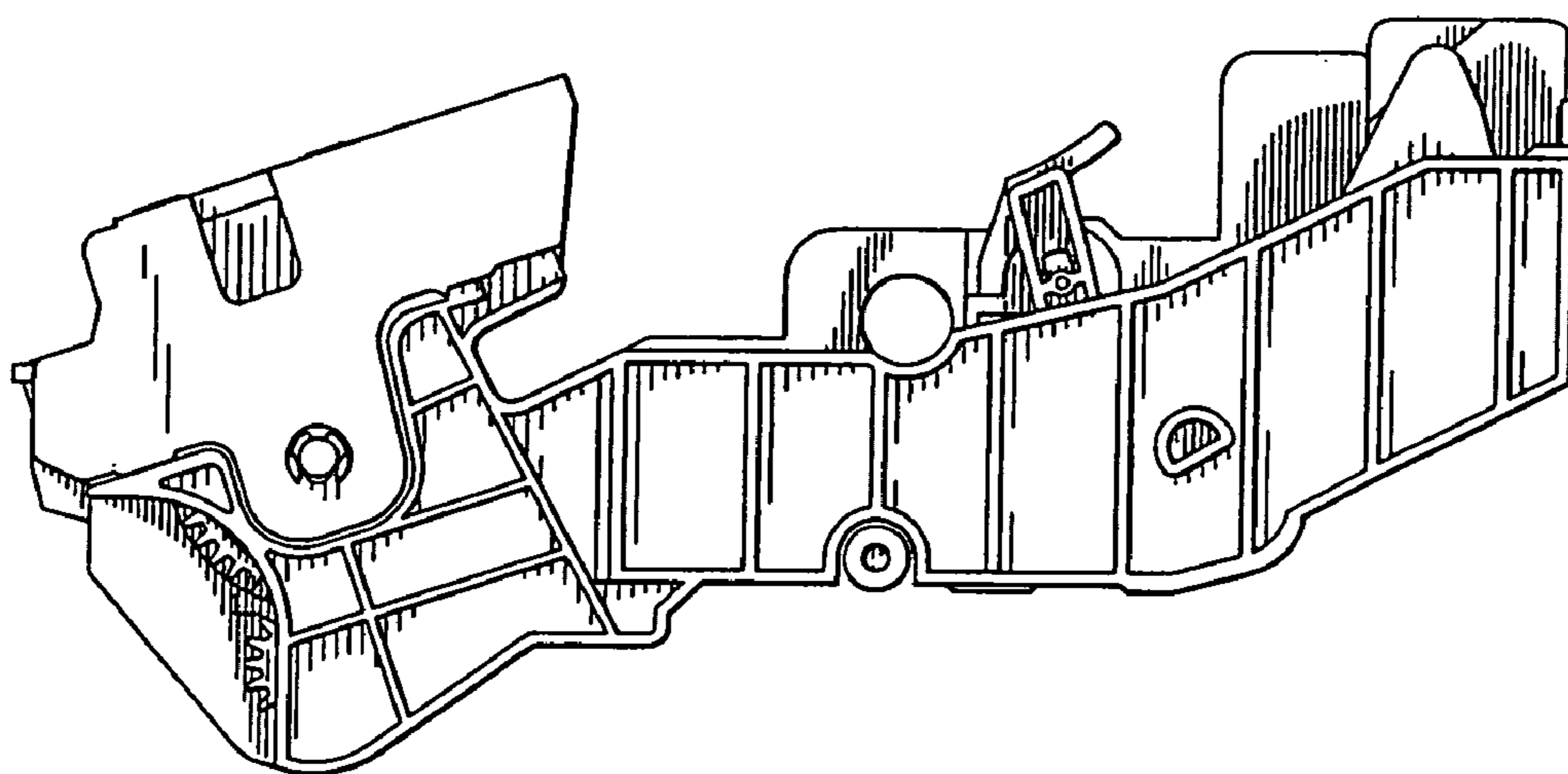


FIG. 7

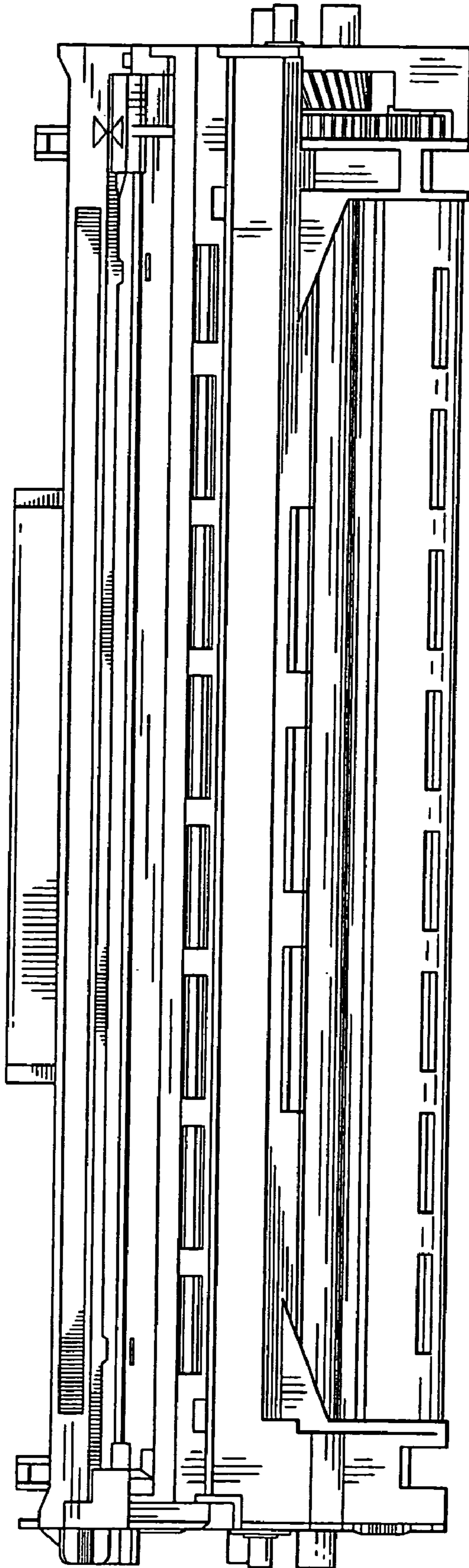


FIG. 8

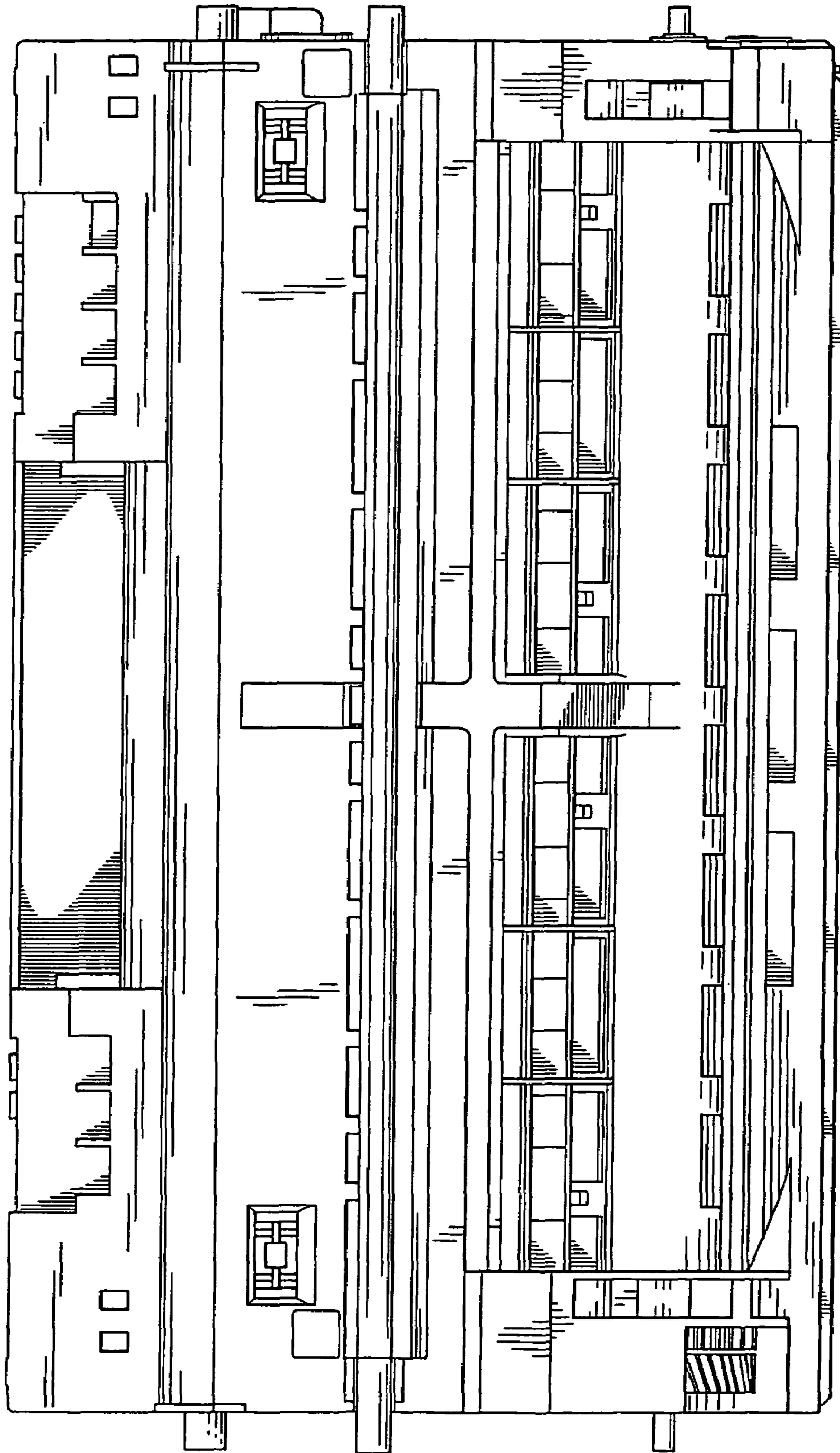


FIG. 9