



US00D551276S

(12) **United States Design Patent**
Lau

(10) **Patent No.:** **US D551,276 S**

(45) **Date of Patent:** **** Sep. 18, 2007**

(54) **CAMERA STAND**

(75) Inventor: **Wee Min Alfred Lau**, Singapore (SG)

(73) Assignee: **Creative Technology Ltd**, Singapore (SG)

(**) Term: **14 Years**

(21) Appl. No.: **29/251,072**

(22) Filed: **Jan. 3, 2006**

(51) **LOC (8) Cl.** **16-05**

(52) **U.S. Cl.** **D16/242; D16/202**

(58) **Field of Classification Search** D16/200–205,
D16/208, 218, 219, 242; 248/121, 126, 918;
348/14.08, 14.09, 14.1, 373–376; 358/909.1;
396/419, 427, 428, 535, 536–541
See application file for complete search history.

(56) **References Cited**

U.S. PATENT DOCUMENTS

D394,274 S *	5/1998	Suzuki	D16/202
D399,860 S *	10/1998	Huang	D16/202
D430,587 S *	9/2000	Summit	D16/202
D478,922 S *	8/2003	Han	D16/202
6,705,774 B2 *	3/2004	Tashiro et al.	396/427
6,738,094 B1	5/2004	Minami et al.		
D507,007 S *	7/2005	Sitoh et al.	D16/202
7,048,454 B2 *	5/2006	Sitoh et al.	396/428
D523,050 S *	6/2006	Bahroocha et al.	D16/202
D529,533 S *	10/2006	Oh et al.	D16/242

OTHER PUBLICATIONS

AMAZON.COM web site featuring Creative Labs WebCam Pro Camera (USB) 2 pages, Jun. 3, 2004.*

* cited by examiner

Primary Examiner—Adir Aronovich

(74) *Attorney, Agent, or Firm*—P. Francois de Villiers

(57) **CLAIM**

The ornamental design for a camera stand, substantially as shown and described.

DESCRIPTION

FIG. 1 is a perspective view of a camera clip in accordance with the present design;

FIG. 2 is a rear view of the camera stand shown in FIG. 1;

FIG. 3 is a front view of the camera stand shown in FIG. 1;

FIG. 4 is a top view of the camera stand shown in FIG. 1;

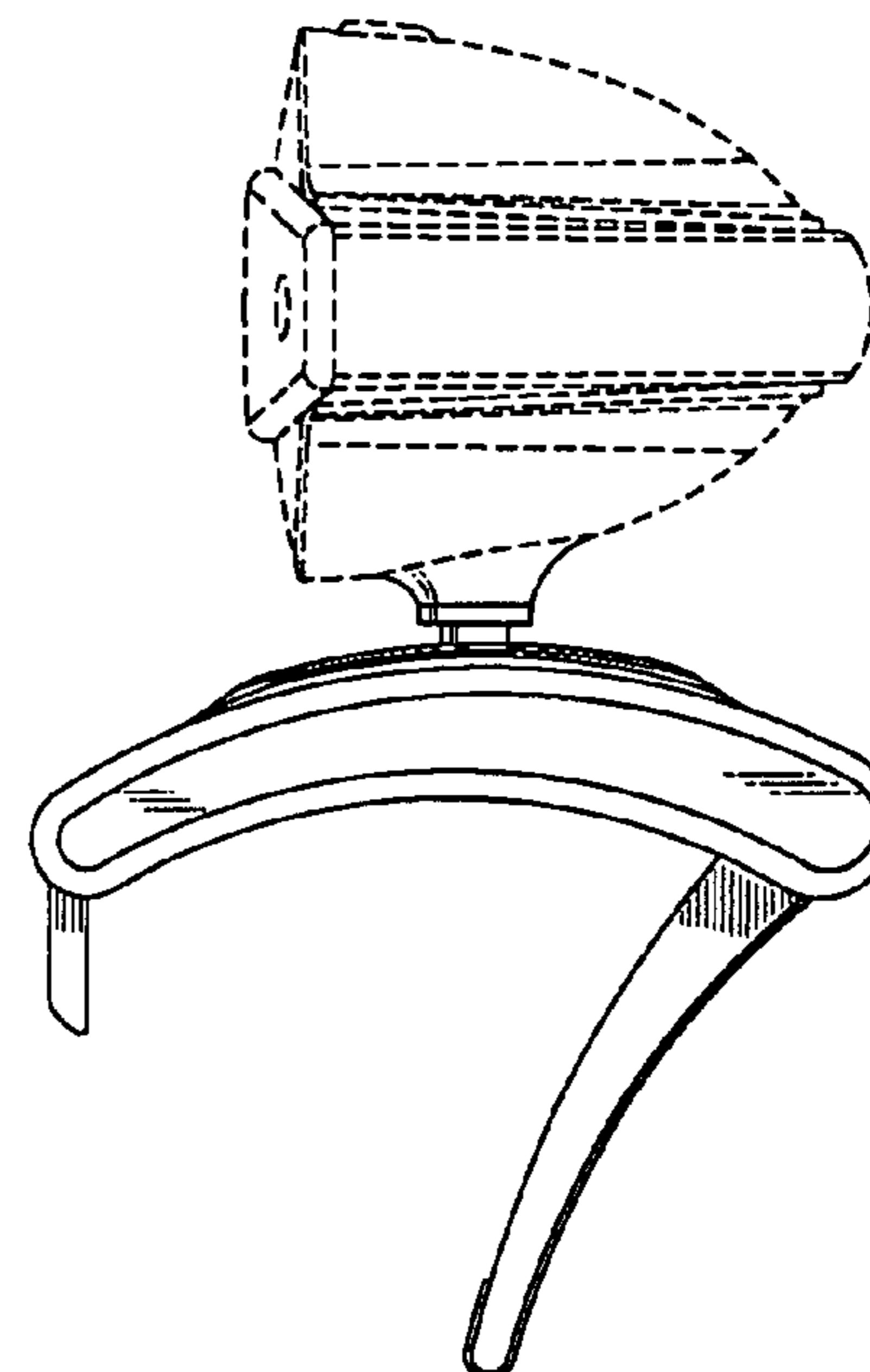
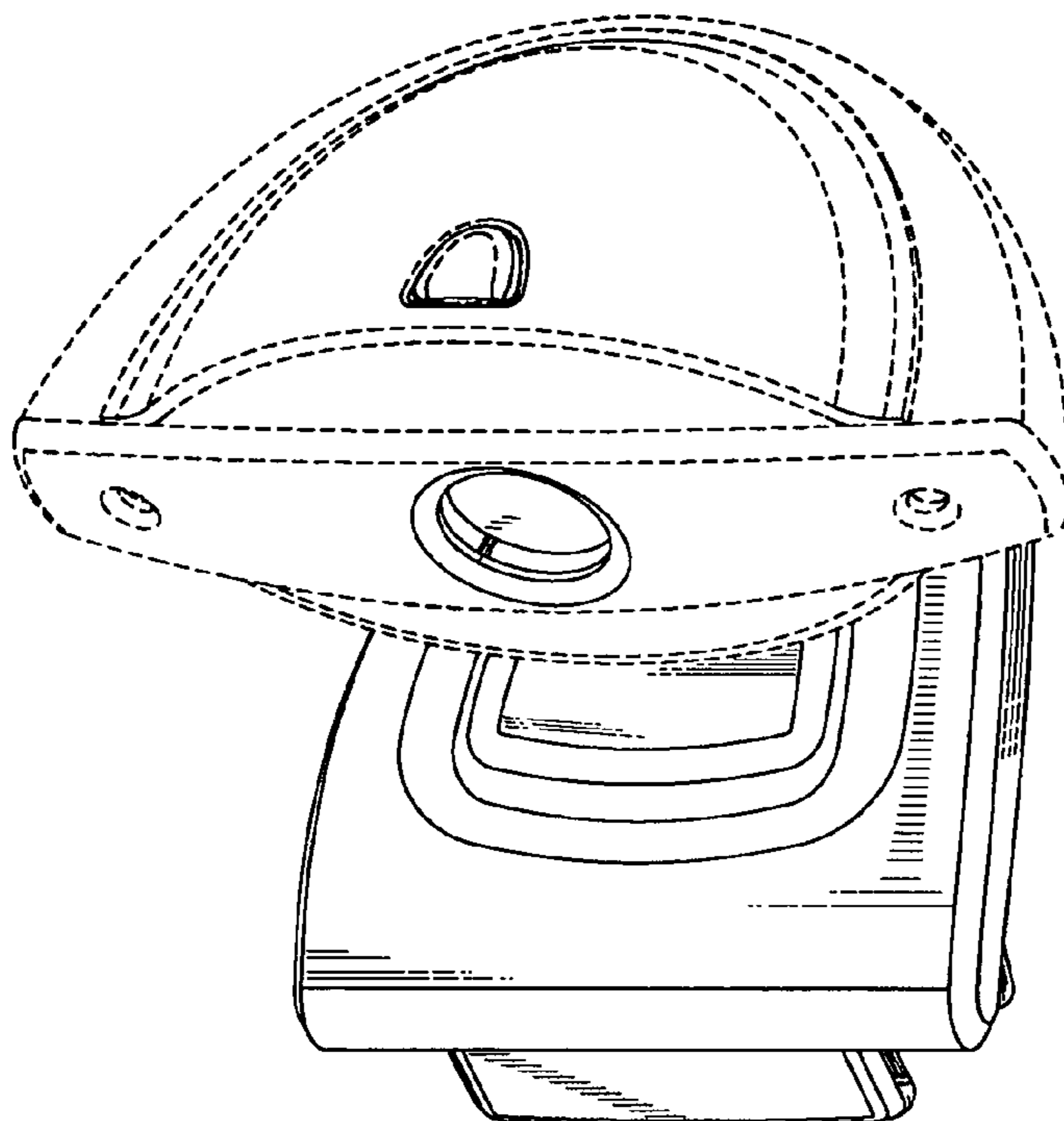
FIG. 5 is a bottom view of the camera stand shown in FIG. 1;

FIG. 6 is a left side view of the camera stand shown in FIG. 1; and,

FIG. 7 is right side view of the camera stand shown in FIG. 1.

Features illustrated in phantom using dashed lines (broken lines) are shown for exemplary purposes only and form no part of the claimed design.

1 Claim, 4 Drawing Sheets



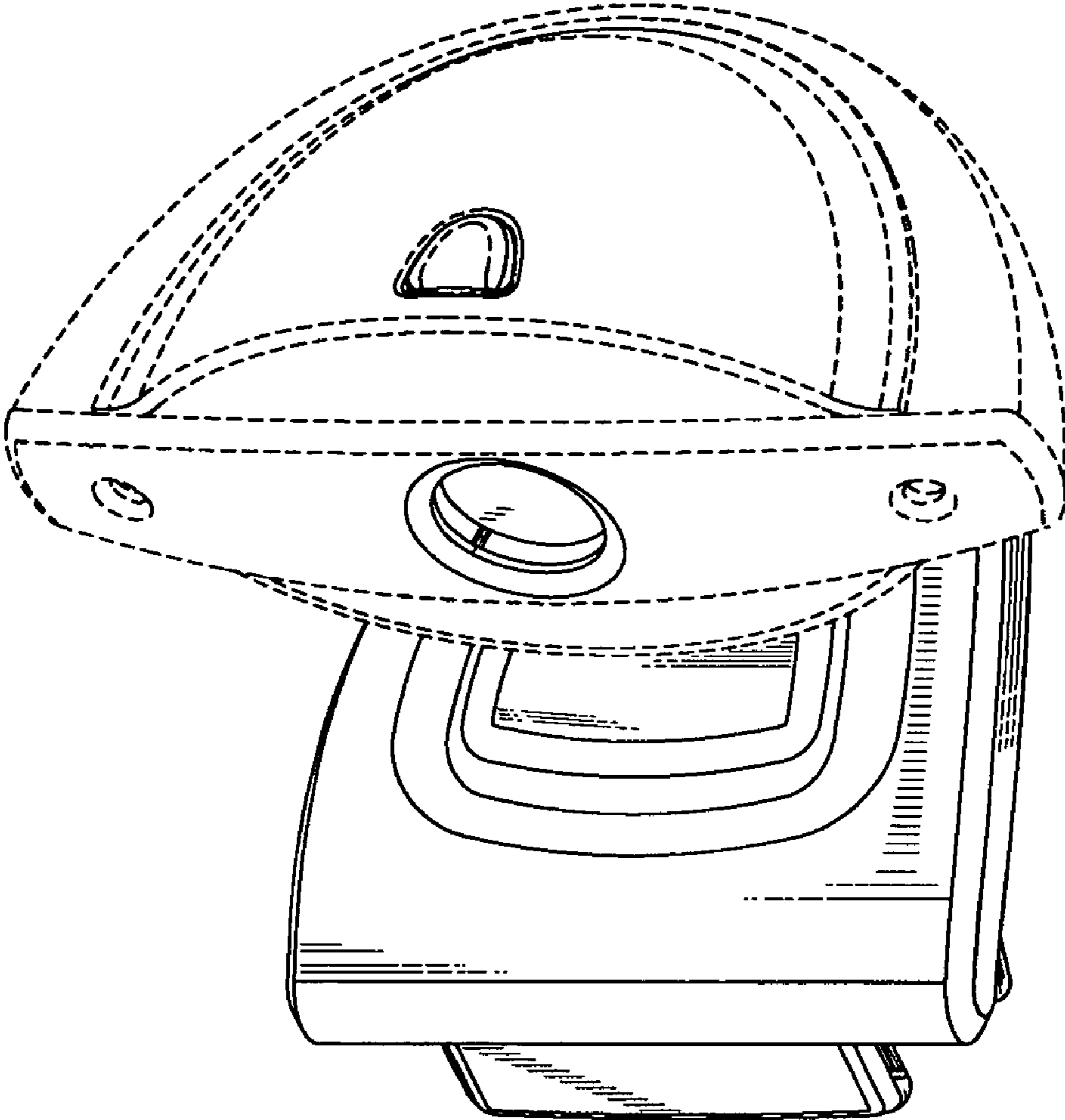


FIG. 1

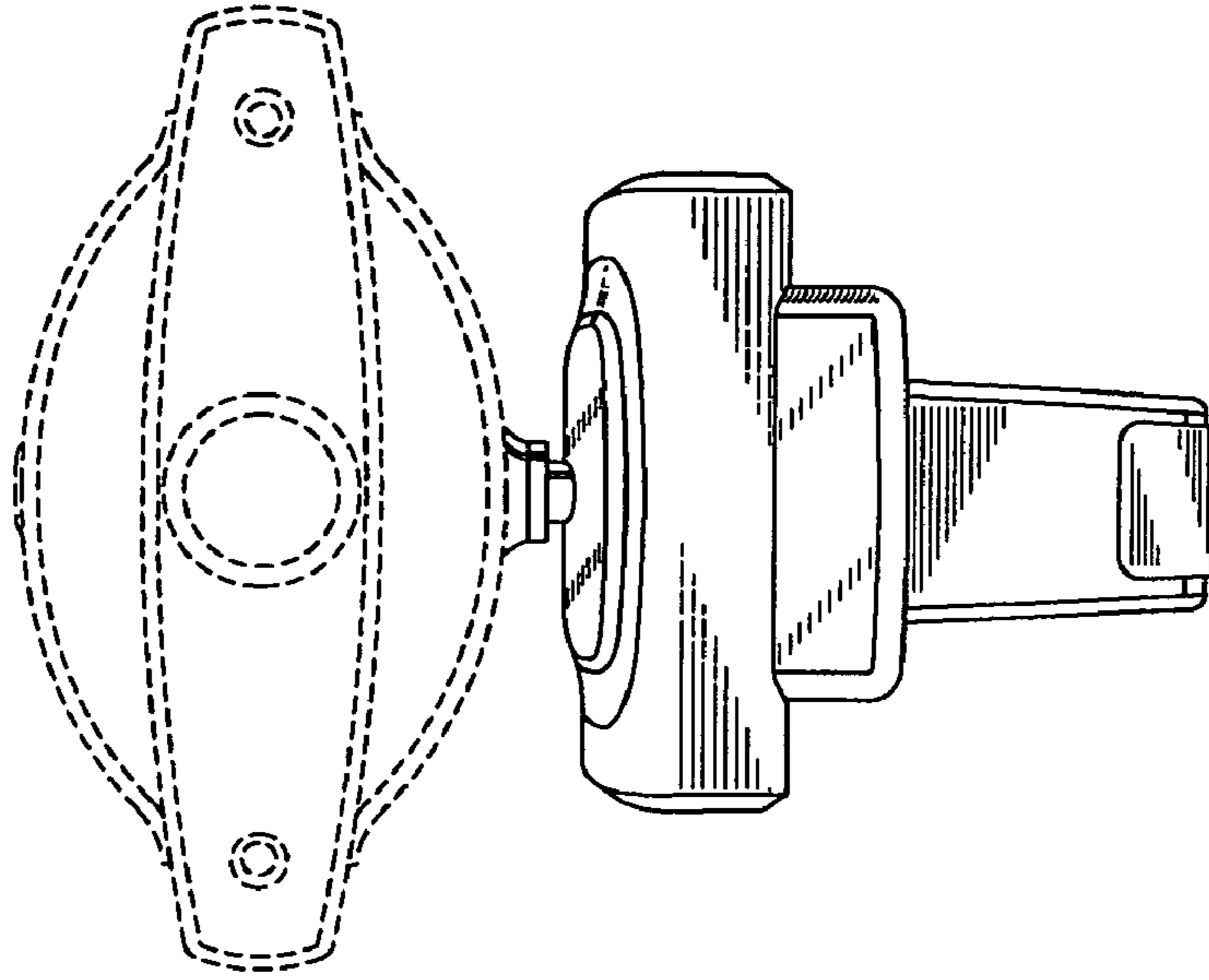


FIG. 3

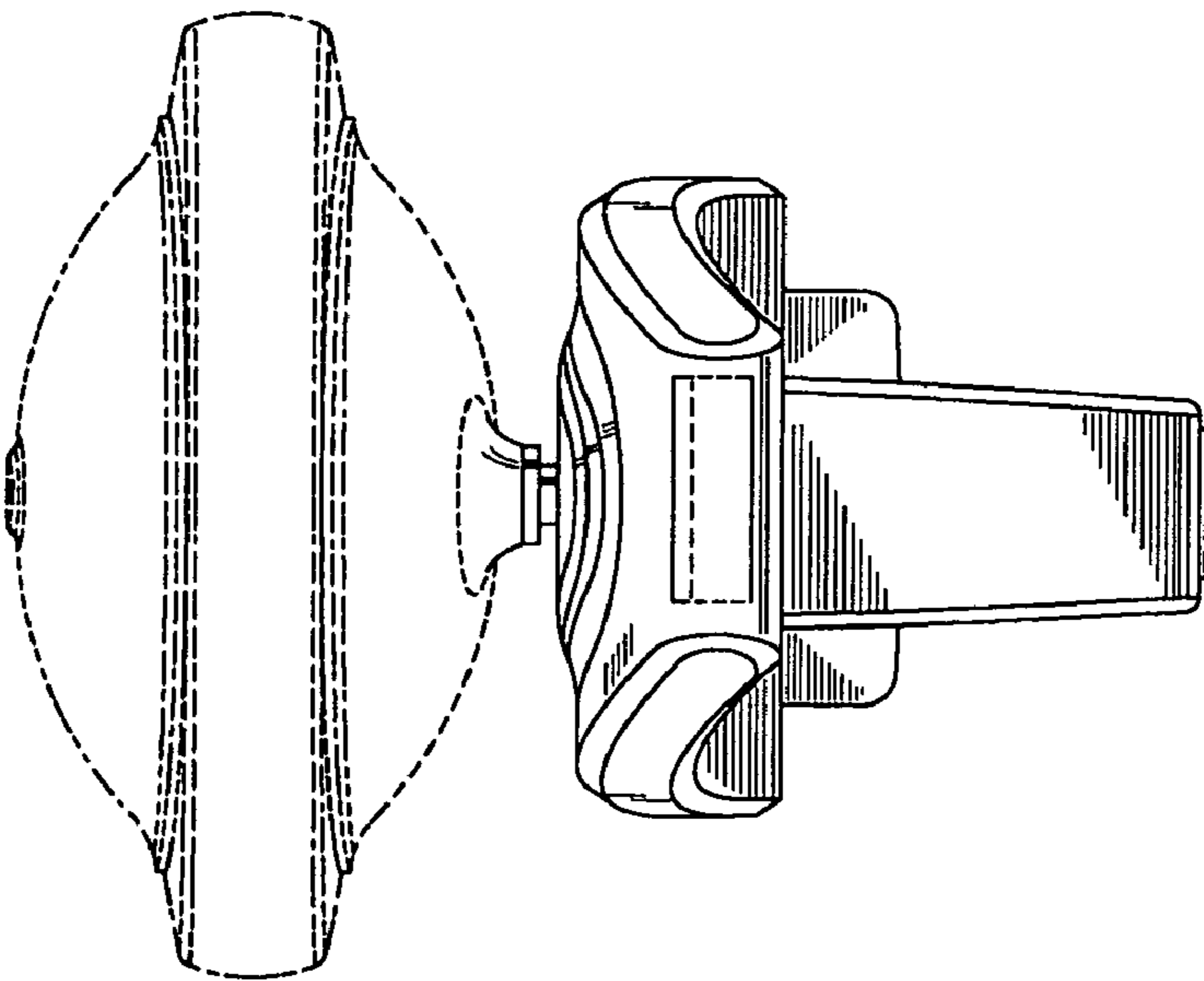


FIG. 2

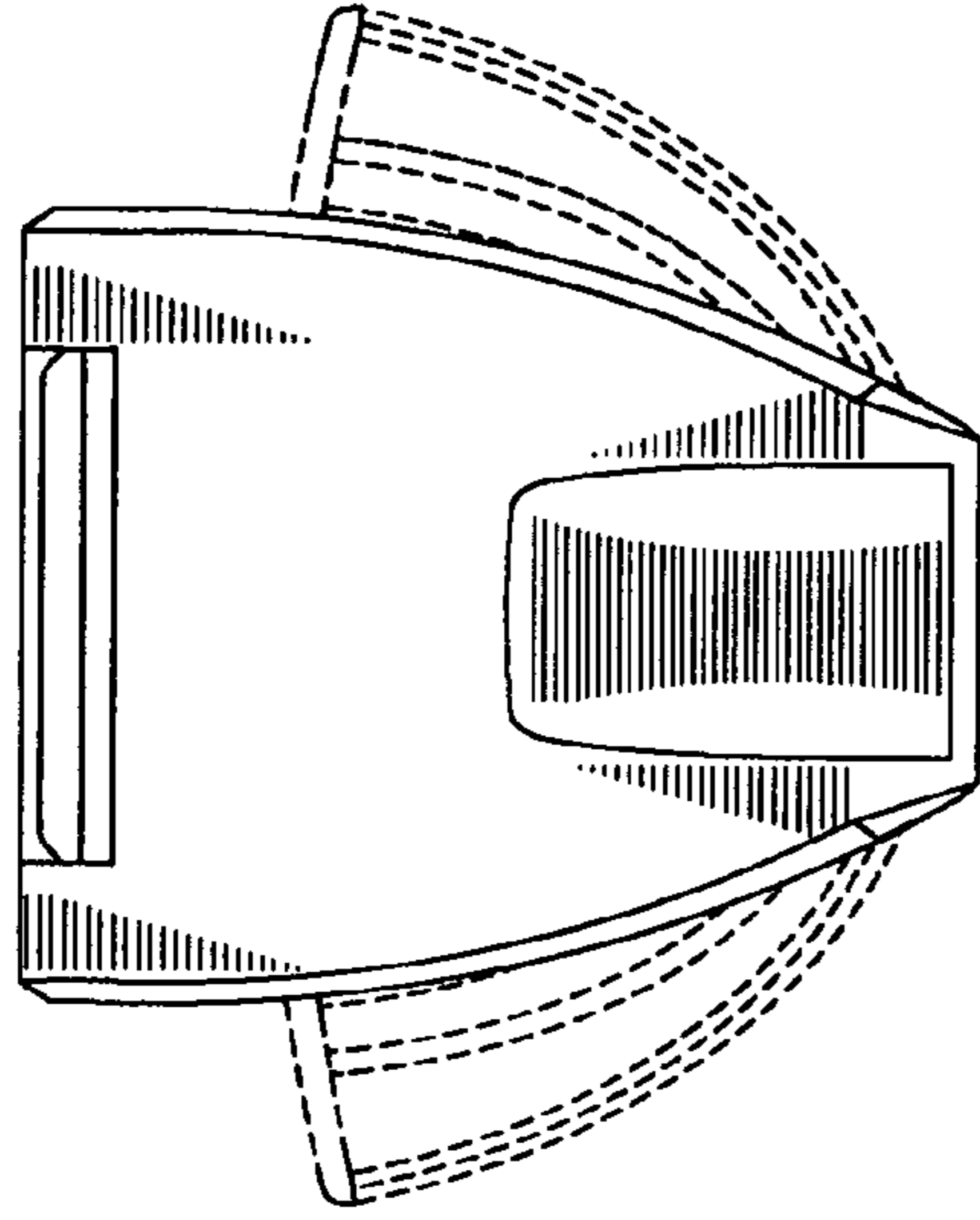


FIG. 5

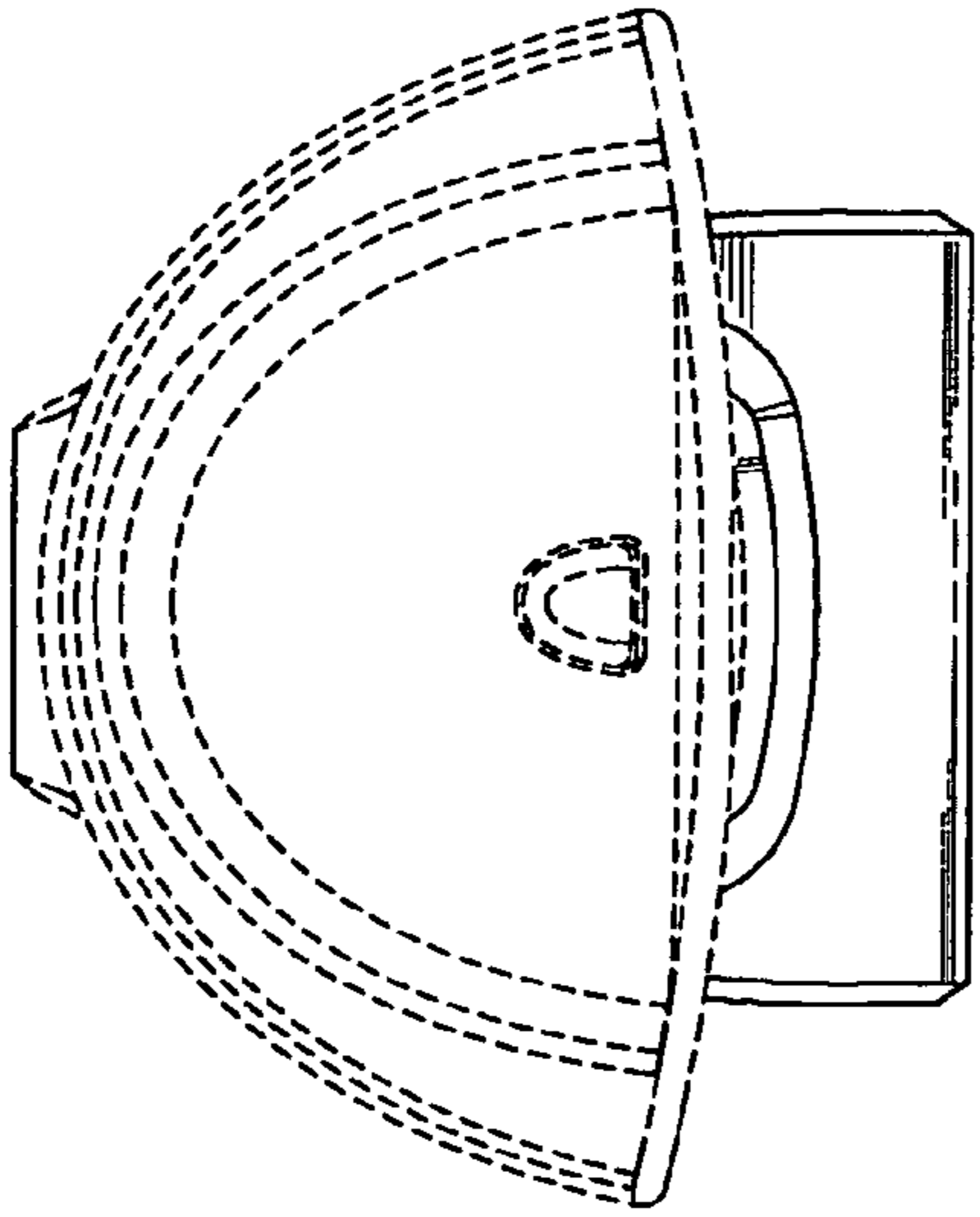


FIG. 4

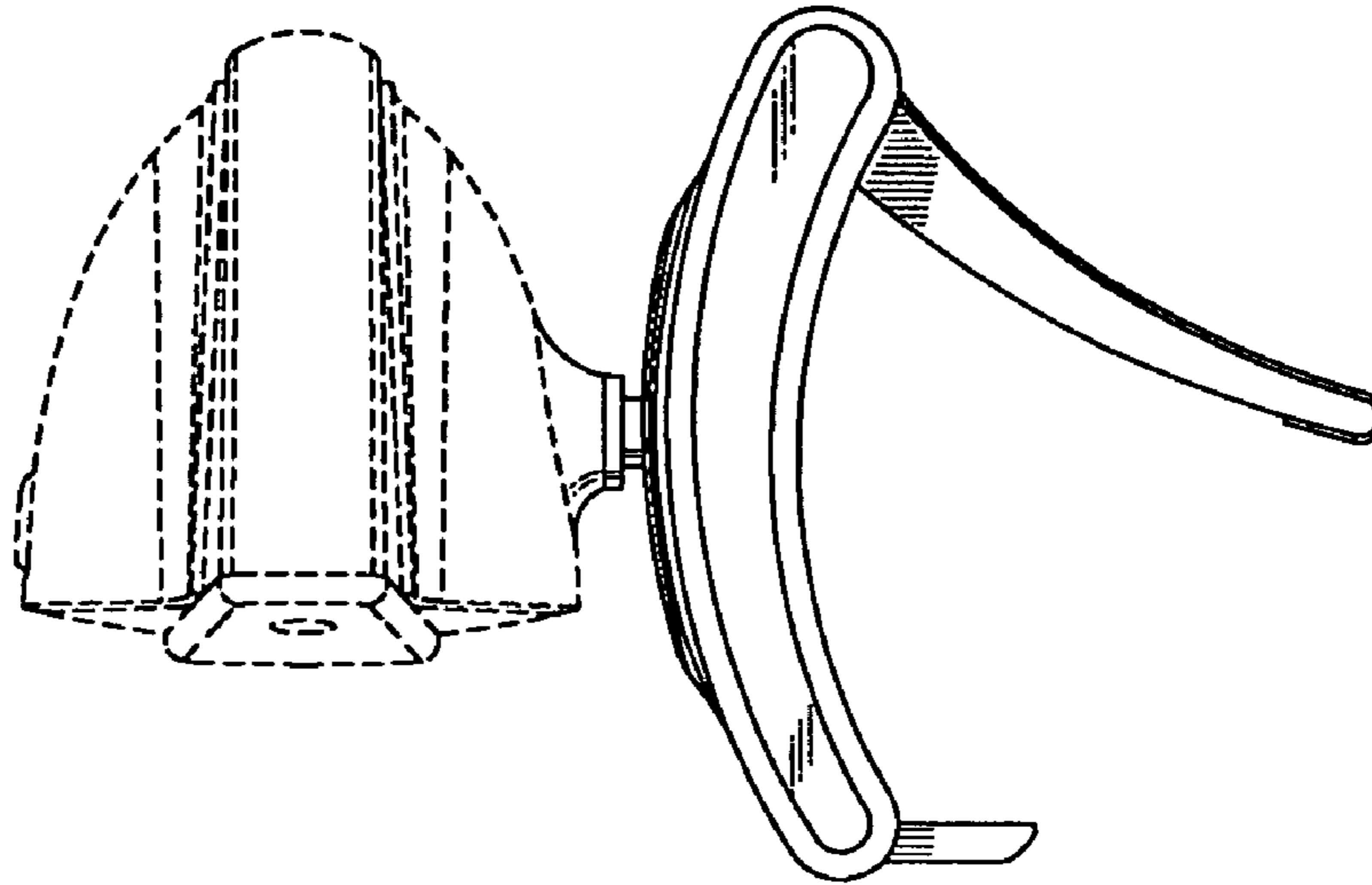


FIG. 7

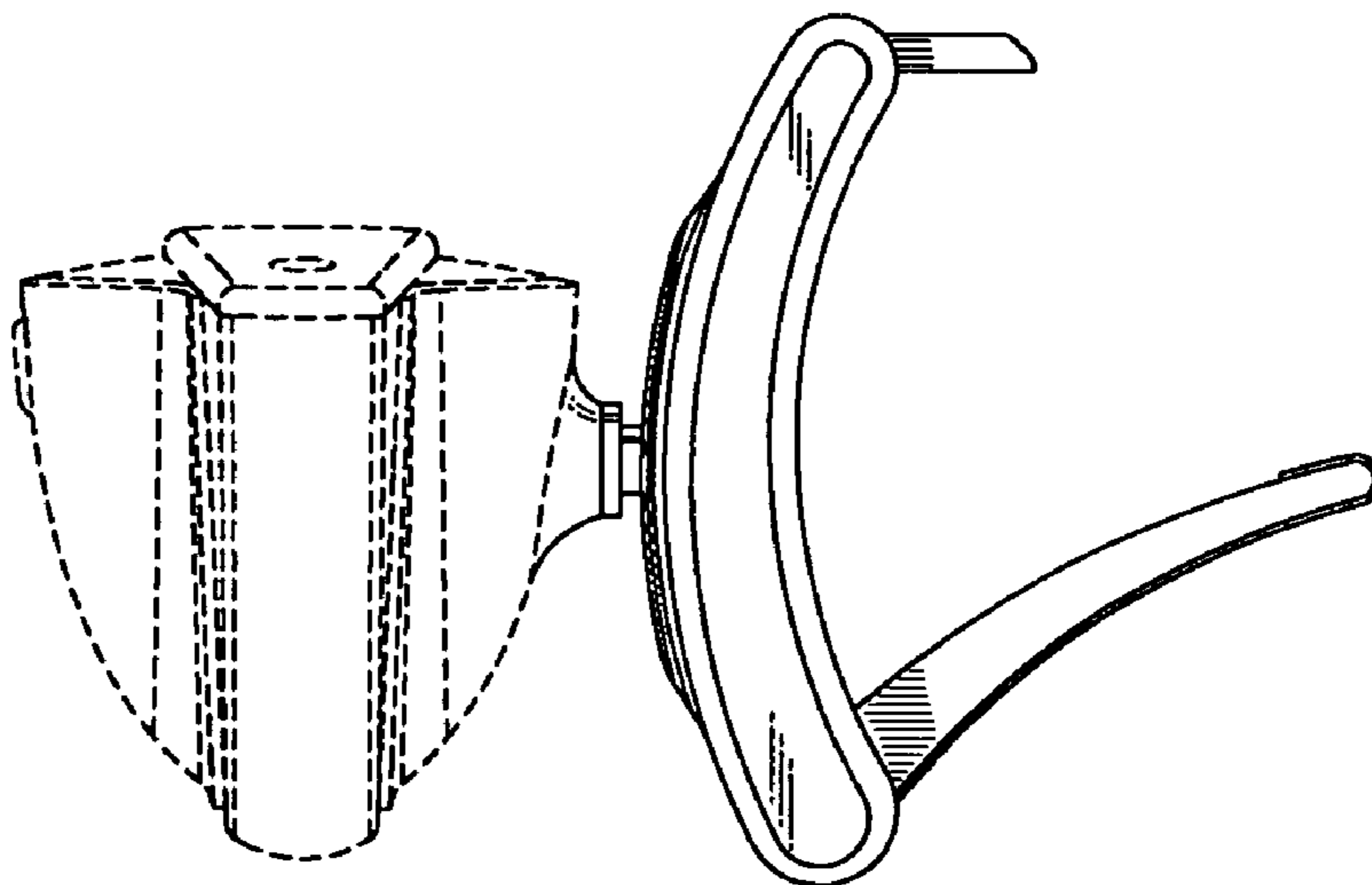


FIG. 6