



US00D551275S

(12) **United States Design Patent**
Kim

(10) **Patent No.:** **US D551,275 S**

(45) **Date of Patent:** **** Sep. 18, 2007**

(54) **MONITORING CAMERA**

D522,035 S * 5/2006 Muto D16/203

(75) Inventor: **Min-Geun Kim**, Seoul (KR)

OTHER PUBLICATIONS

(73) Assignee: **Samsung Electronics Co., Ltd.**,
Kyunggi-do (KR)

U.S. Appl. No. 29/251,373, Applicant: Min-Geun Kim, filed Jan. 6, 2006 entitled Monitoring Camera.

U.S. Appl. No. 29/226,441, Applicant: Min-Geun Kim, et al., filed Mar. 29, 2005 entitled Monitoring Camera.

(**) Term: **14 Years**

* cited by examiner

(21) Appl. No.: **29/251,372**

Primary Examiner—Ian Simmons

Assistant Examiner—Wan Laymon

(22) Filed: **Jan. 6, 2006**

(74) *Attorney, Agent, or Firm*—Flynn, Thiel, Boutell & Tanis, P.C.

(51) **LOC (8) Cl.** **16-01**

(52) **U.S. Cl.** **D16/203; D16/202**

(58) **Field of Classification Search** D16/200–206,
D16/208–209, 217, 219, 242, 244, 245, 218,
D16/213; D21/514; 348/373–376, 143;
358/909.1, 906; 396/535–541, 427; 352/242
See application file for complete search history.

(57) **CLAIM**

The ornamental design for a monitoring camera, as shown and described.

(56) **References Cited**

DESCRIPTION

U.S. PATENT DOCUMENTS

D373,593 S *	9/1996	Hiroko et al.	D16/203
D390,858 S *	2/1998	Wen	D16/202
D409,641 S *	5/1999	Uehara	D16/203
D410,936 S *	6/1999	Isono	D16/202
D416,033 S *	11/1999	Kitera	D16/203
D470,520 S *	2/2003	Yamakawa et al.	D16/203
6,683,654 B1 *	1/2004	Haijima	348/374
D489,744 S *	5/2004	Muto	D16/203

FIG. 1 is a top and front perspective view of a monitoring camera showing our new design;

FIG. 2 is a front elevational view, the rear elevational view being symmetrical thereof;

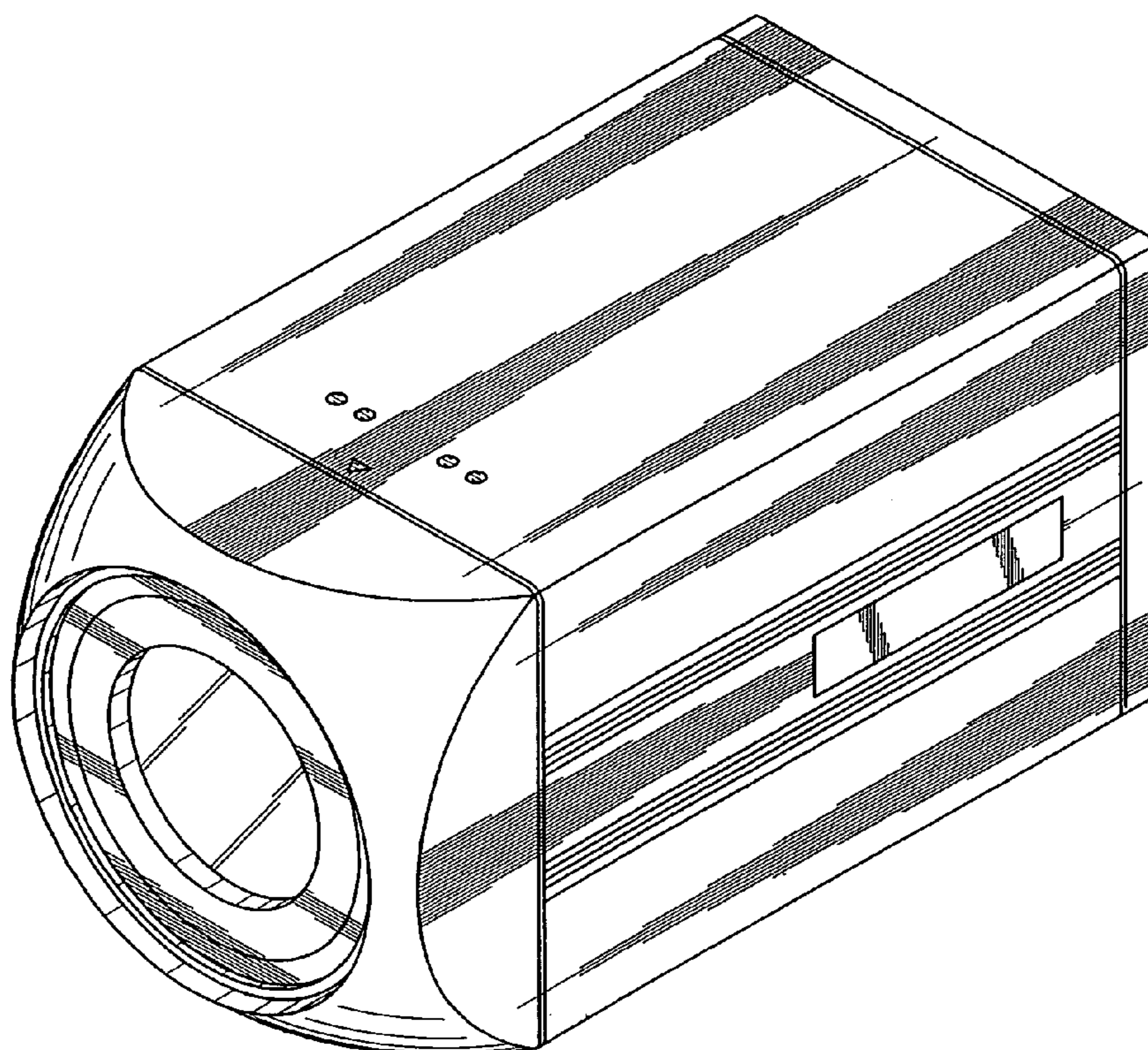
FIG. 3 is a left side elevational view thereof;

FIG. 4 is a right side elevational view thereof;

FIG. 5 is a top plan view thereof; and,

FIG. 6 is a bottom plan view.

1 Claim, 4 Drawing Sheets



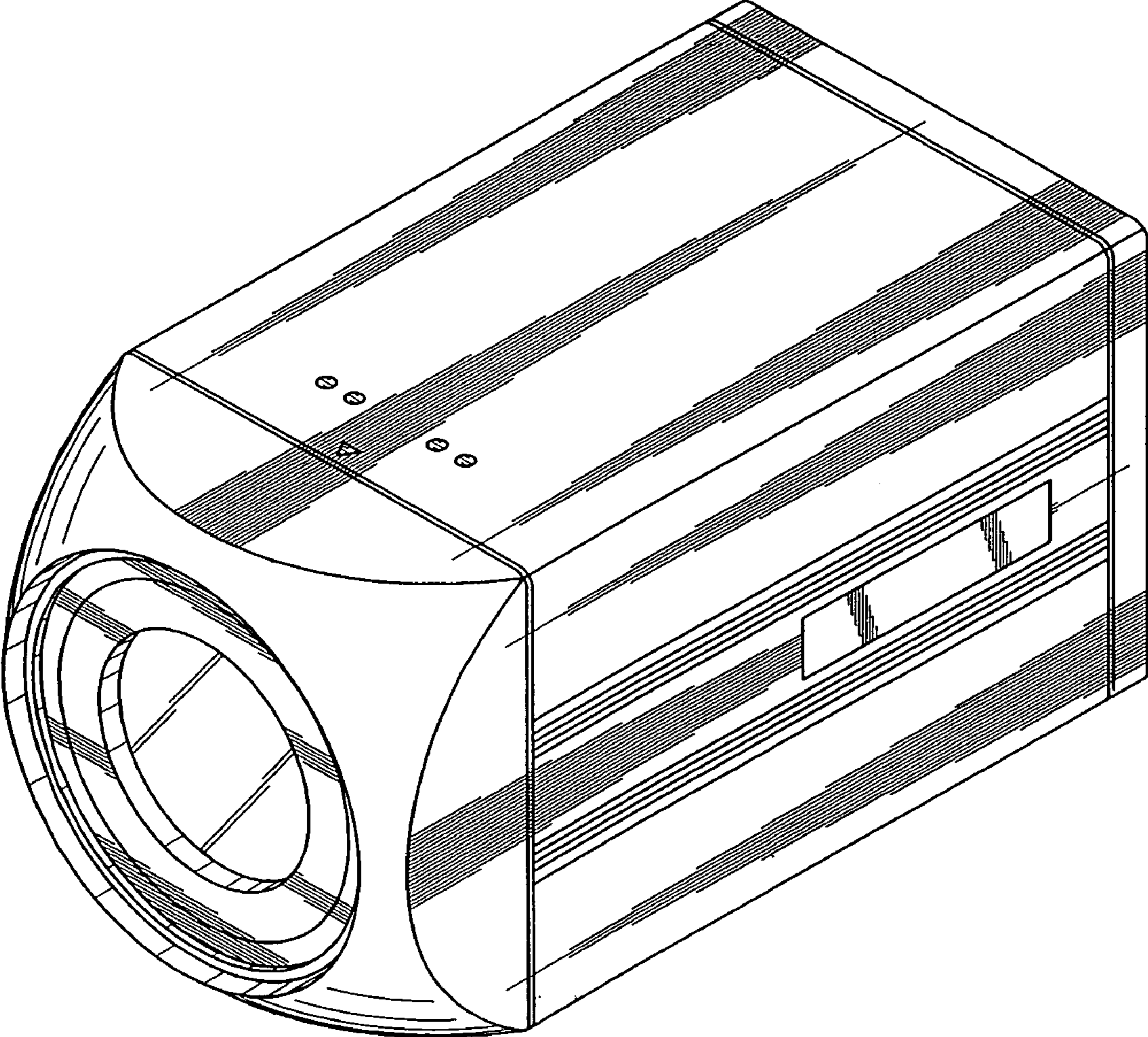


FIG. 1

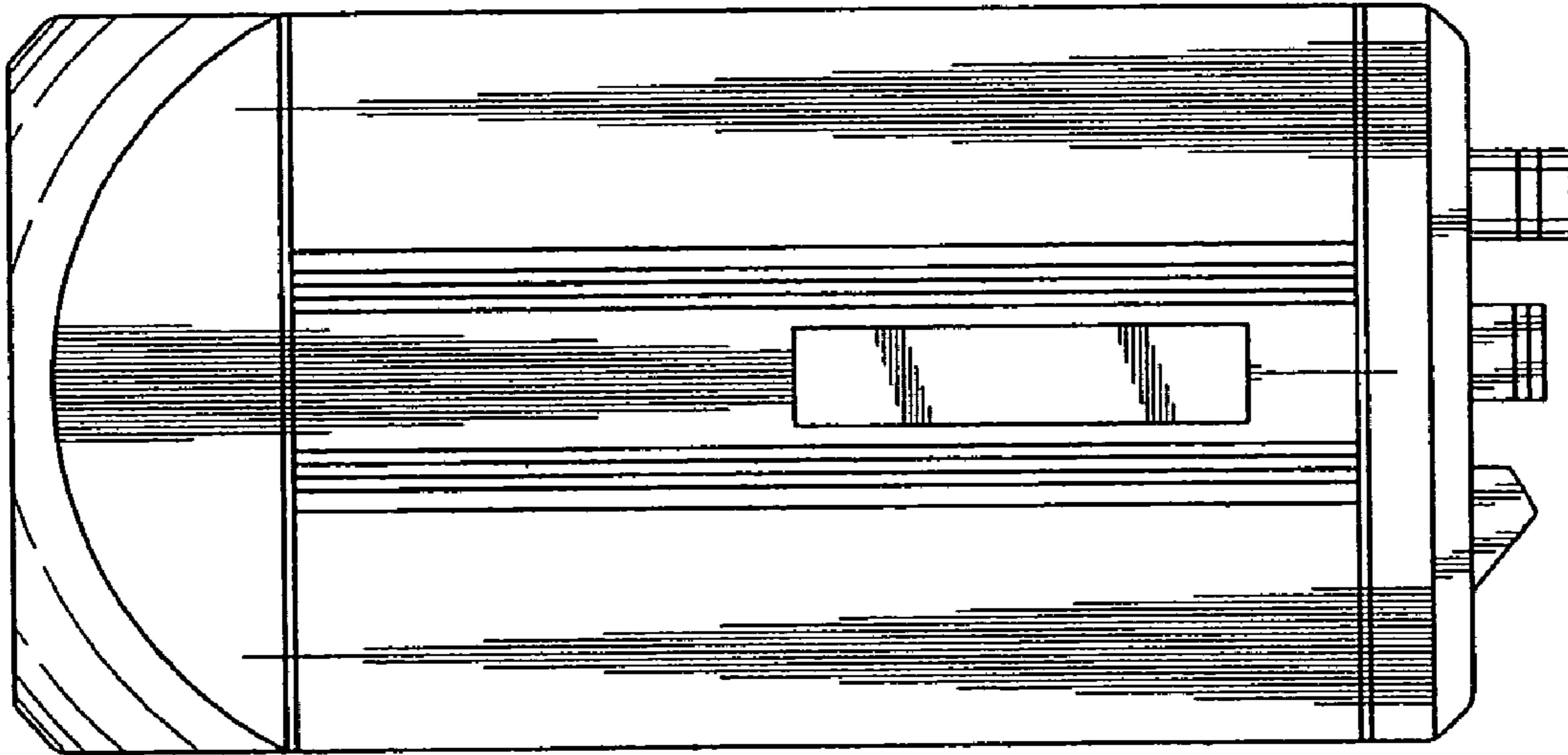


FIG. 2

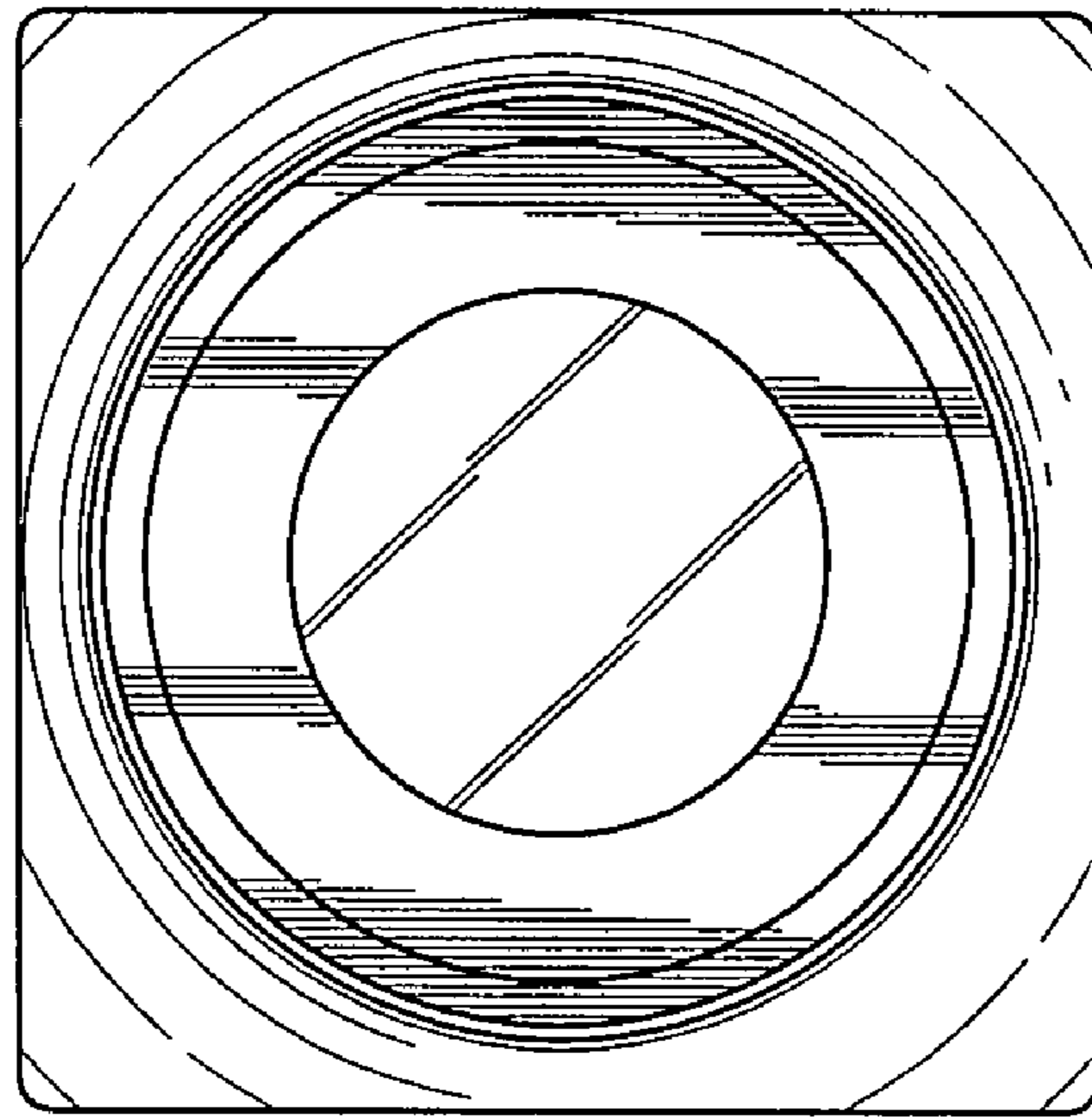


FIG. 3

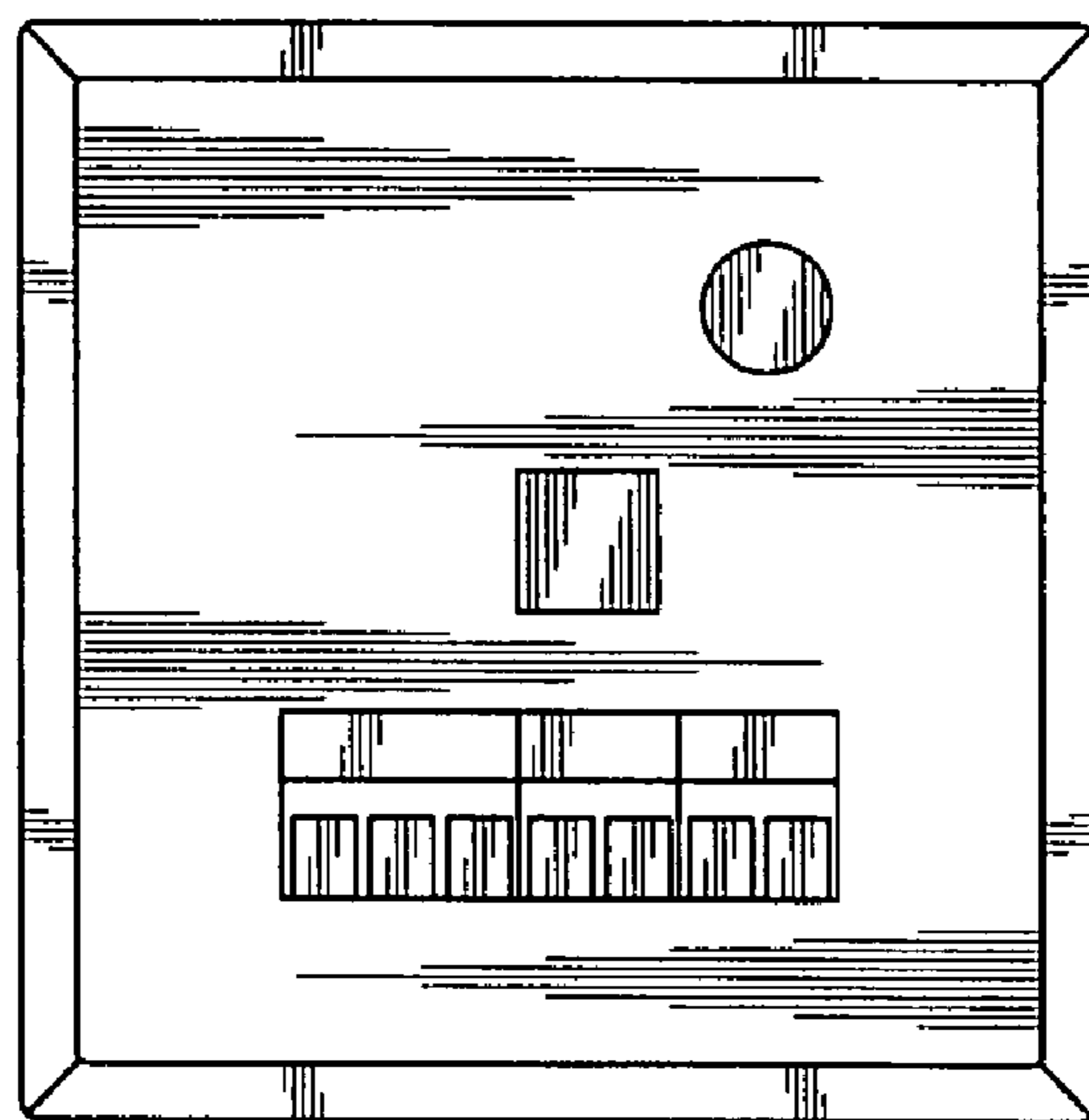


FIG. 4

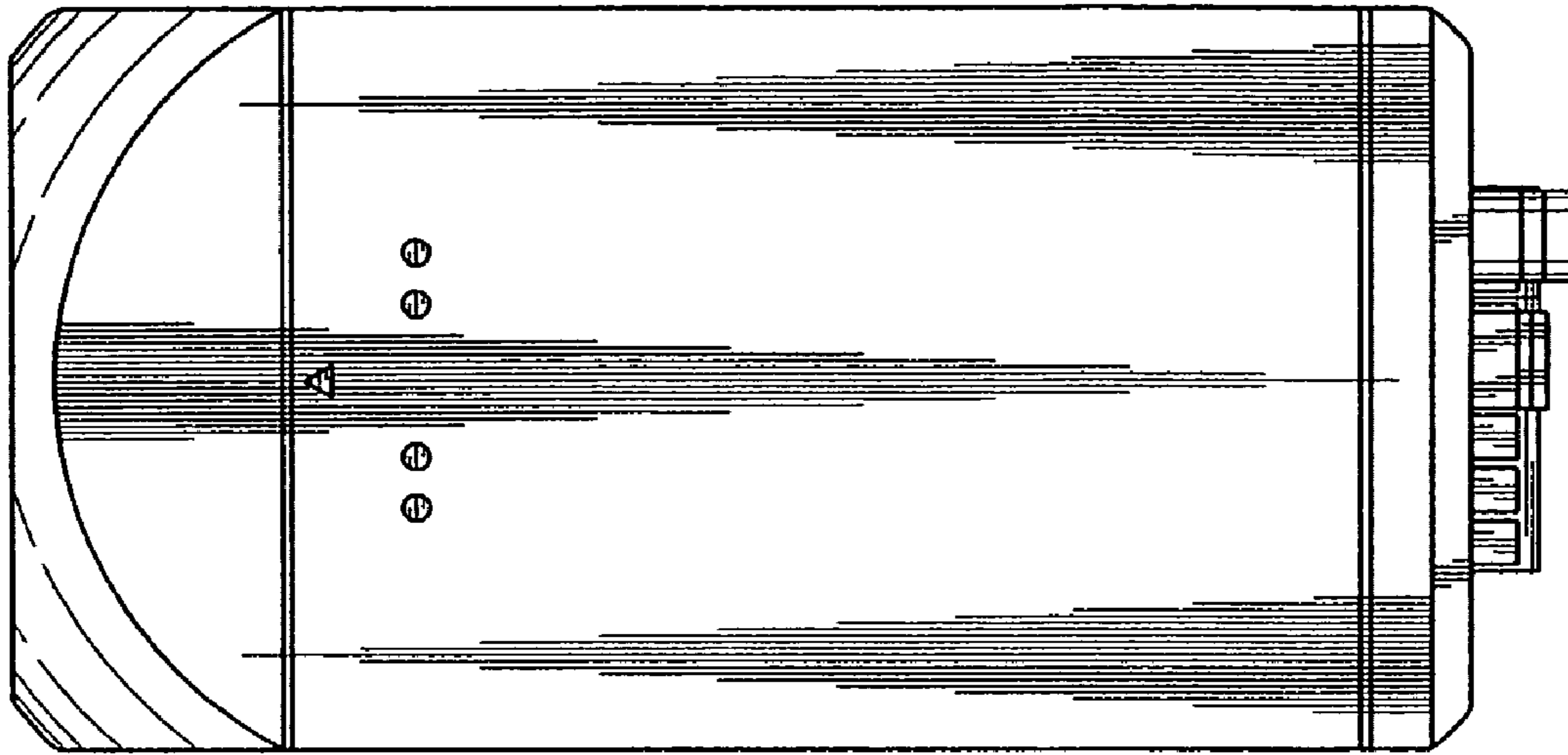


FIG. 5

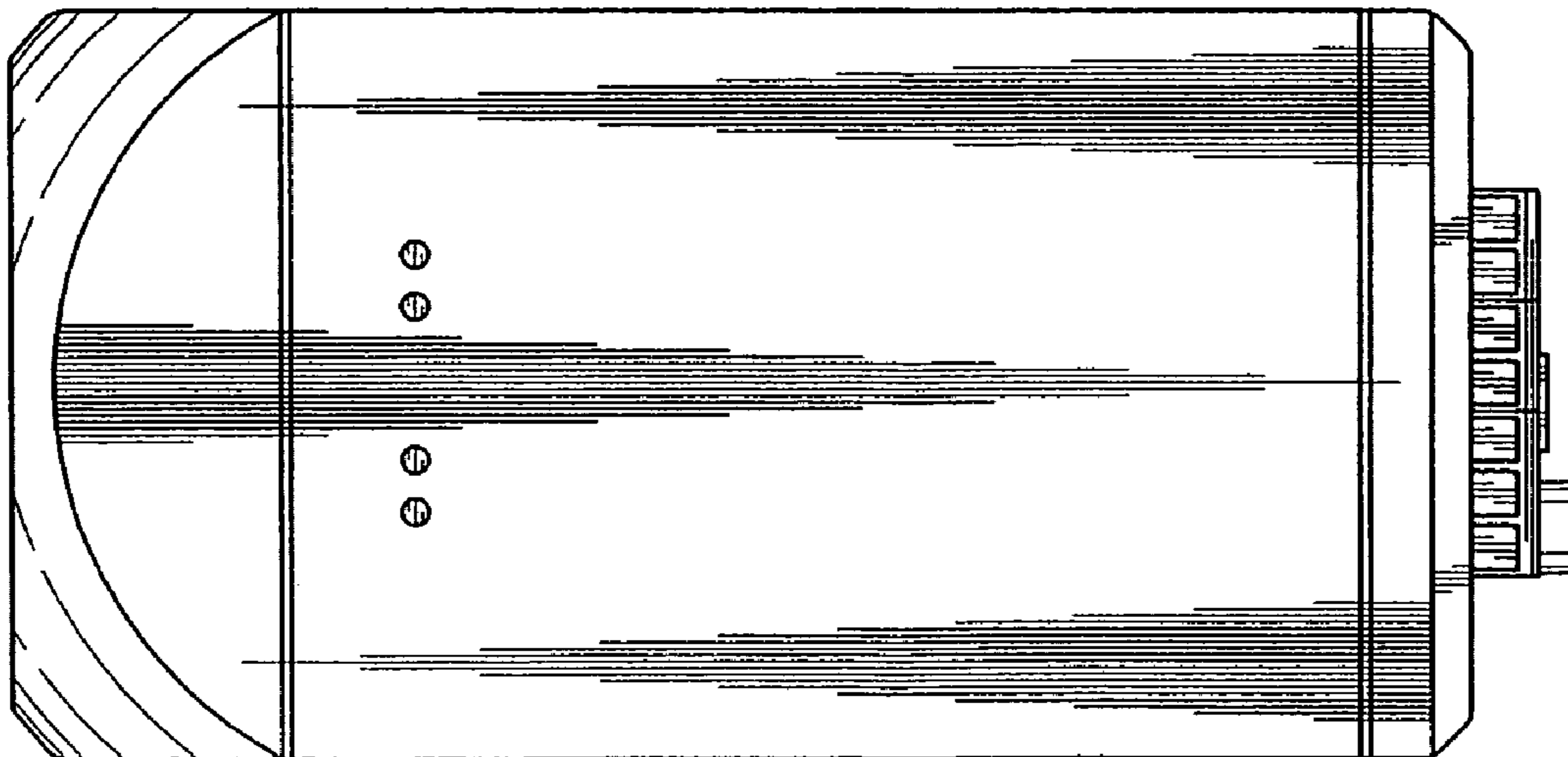


FIG. 6