



US00D551273S

(12) **United States Design Patent**
Kaplan et al.

(10) **Patent No.:** **US D551,273 S**

(45) **Date of Patent:** **** Sep. 18, 2007**

(54) **DIGITAL PHOTOGRAPHY APPARATUS**

(75) Inventors: **Jonathan Kaplan**, San Francisco, CA (US); **Ariel Braunstein**, San Francisco, CA (US); **Simon Flemingwood**, Oakland, CA (US); **John Furlan**, Belmont, CA (US); **Robert Evans**, San Francisco, CA (US)

(73) Assignee: **Pure Digital Technologies, Inc.**, San Francisco, CA (US)

(**) Term: **14 Years**

(21) Appl. No.: **29/242,833**

(22) Filed: **Nov. 14, 2005**

(51) **LOC (8) Cl.** **16-01**

(52) **U.S. Cl.** **D16/202; D16/218**

(58) **Field of Classification Search** D16/200–205, D16/208, 209, 218; 348/373–376; 358/909.1; 396/535–541

See application file for complete search history.

(56) **References Cited**

U.S. PATENT DOCUMENTS

5,640,628 A * 6/1997 Yoshida 396/535
D404,752 S * 1/1999 Lin D16/218

D427,222 S * 6/2000 Chieh D16/209
D499,128 S * 11/2004 Martres et al. D16/202
D528,578 S * 9/2006 Yasutomi D16/202
D529,940 S * 10/2006 Wani et al. D16/202

* cited by examiner

Primary Examiner—Adir Aronovich
(74) *Attorney, Agent, or Firm*—Blakely Sokoloff Taylor & Zafman LLP

(57) **CLAIM**

The ornamental design for a digital photography apparatus, as shown and described.

DESCRIPTION

FIG. 1 is a front, top and left side view of a digital photography apparatus showing our new design.

FIG. 2 is a back, top and right side view thereof.

FIG. 3 is a front view thereof.

FIG. 4 is a back view thereof.

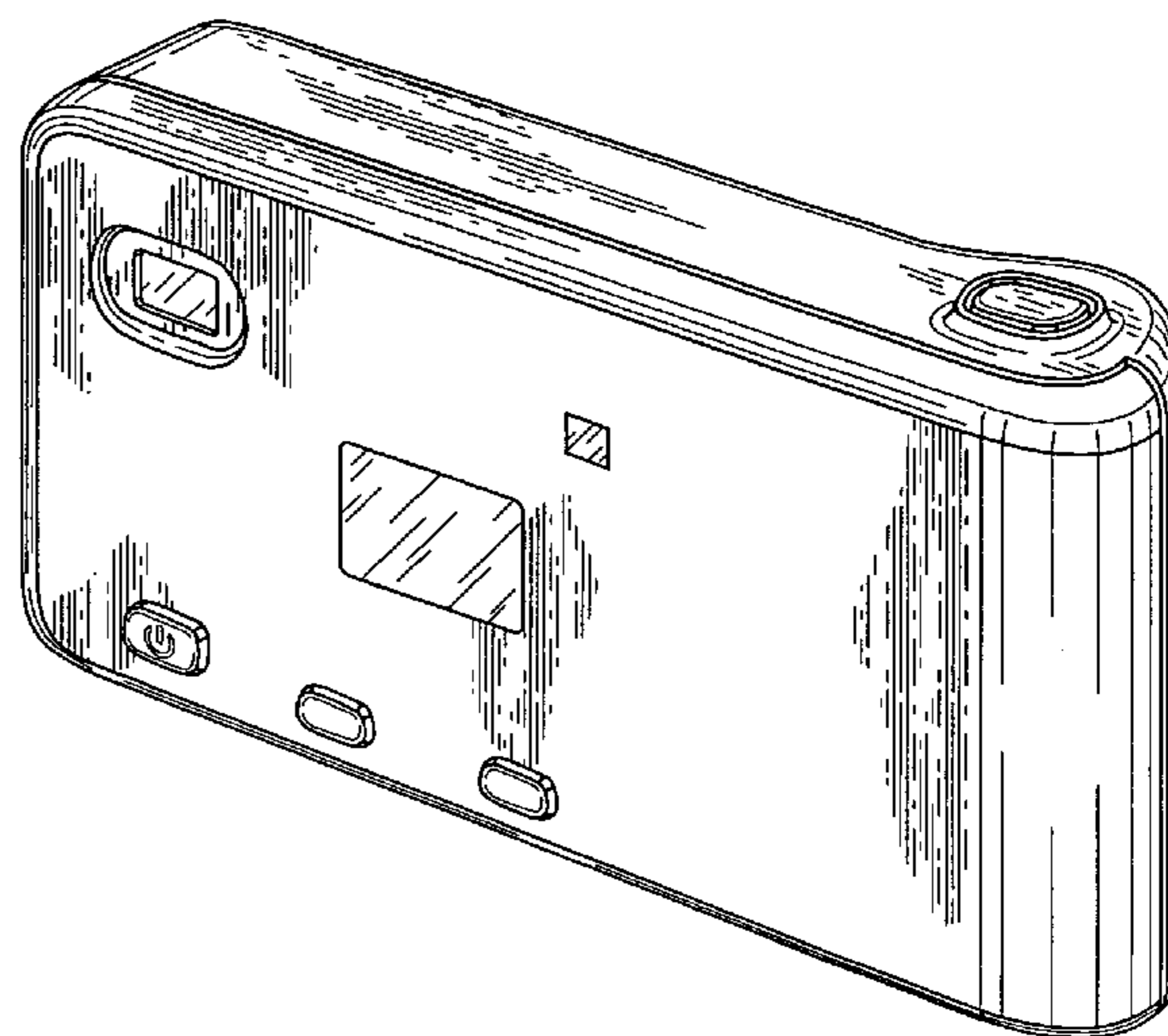
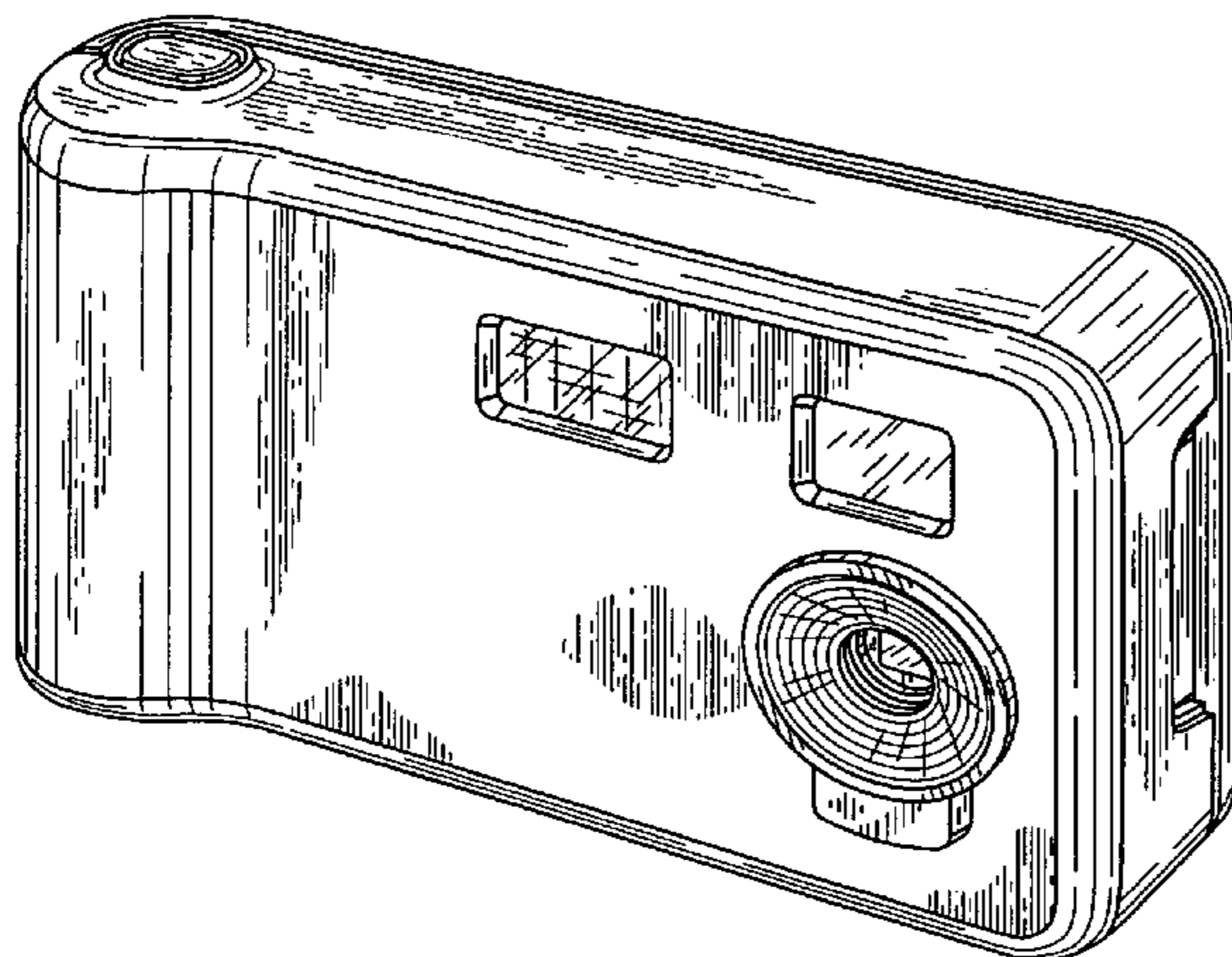
FIG. 5 is a left side view thereof.

FIG. 6 is a right side view thereof.

FIG. 7 is a top plan view thereof; and,

FIG. 8 is a bottom plan view thereof.

1 Claim, 4 Drawing Sheets



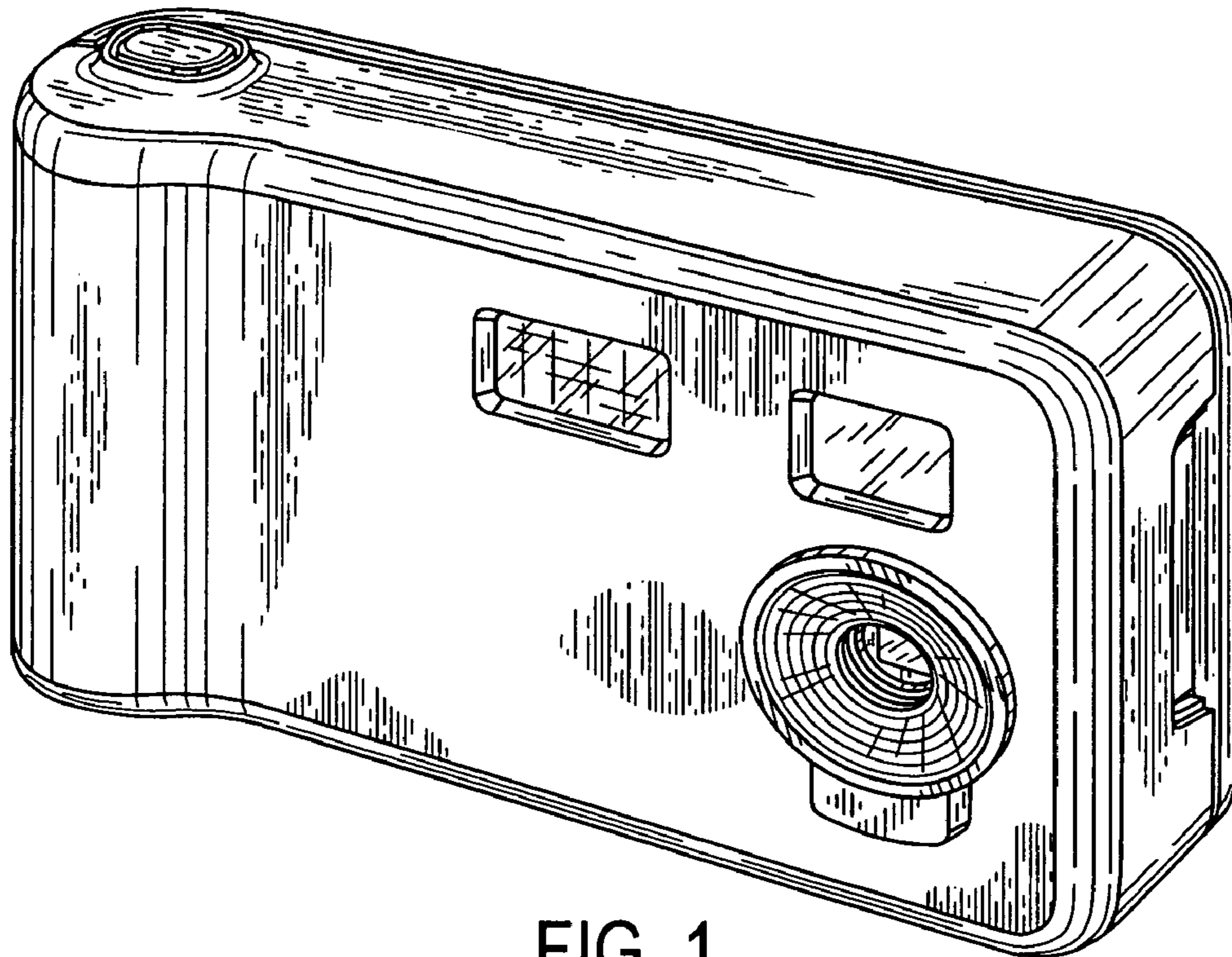


FIG. 1

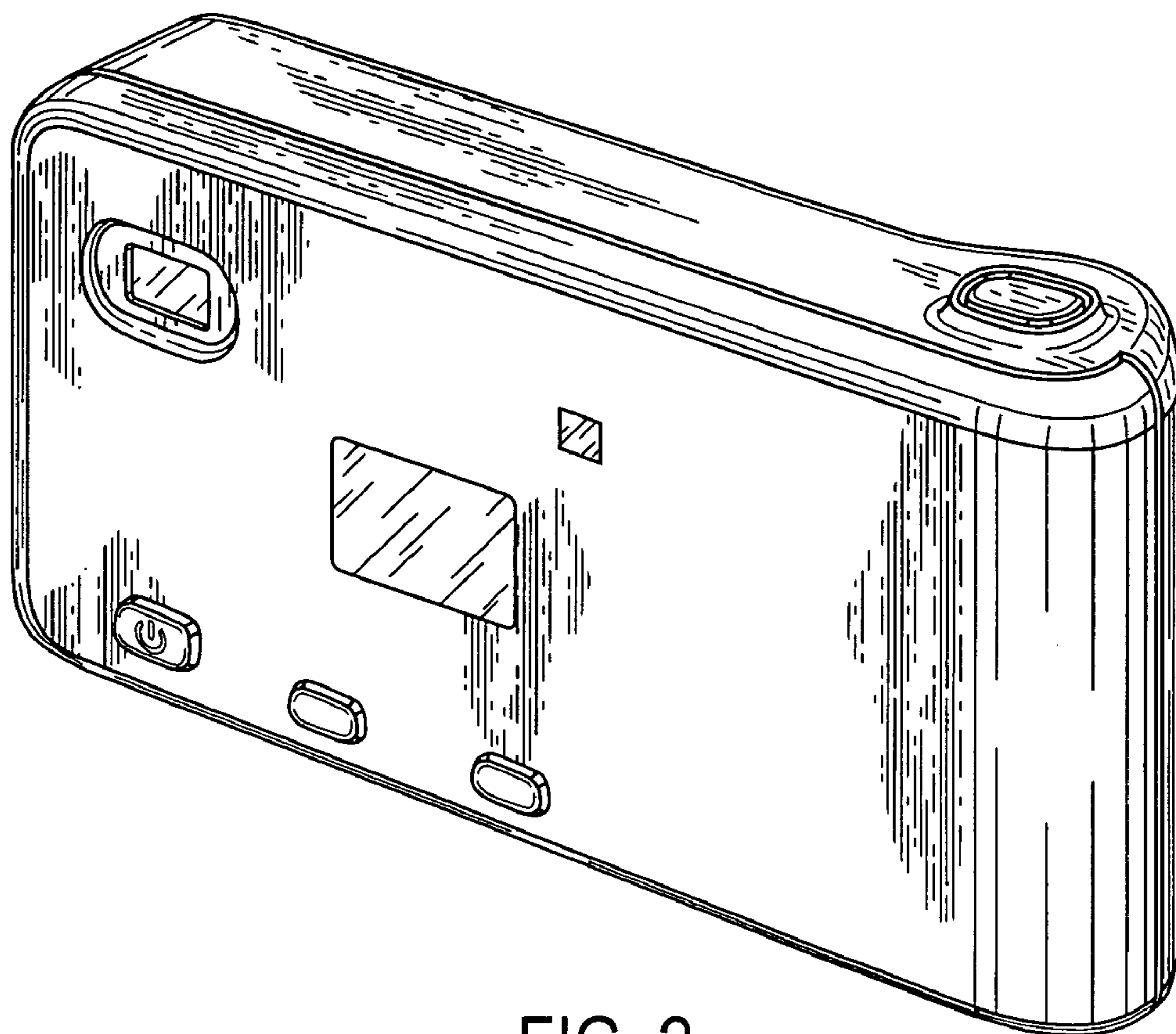


FIG. 2

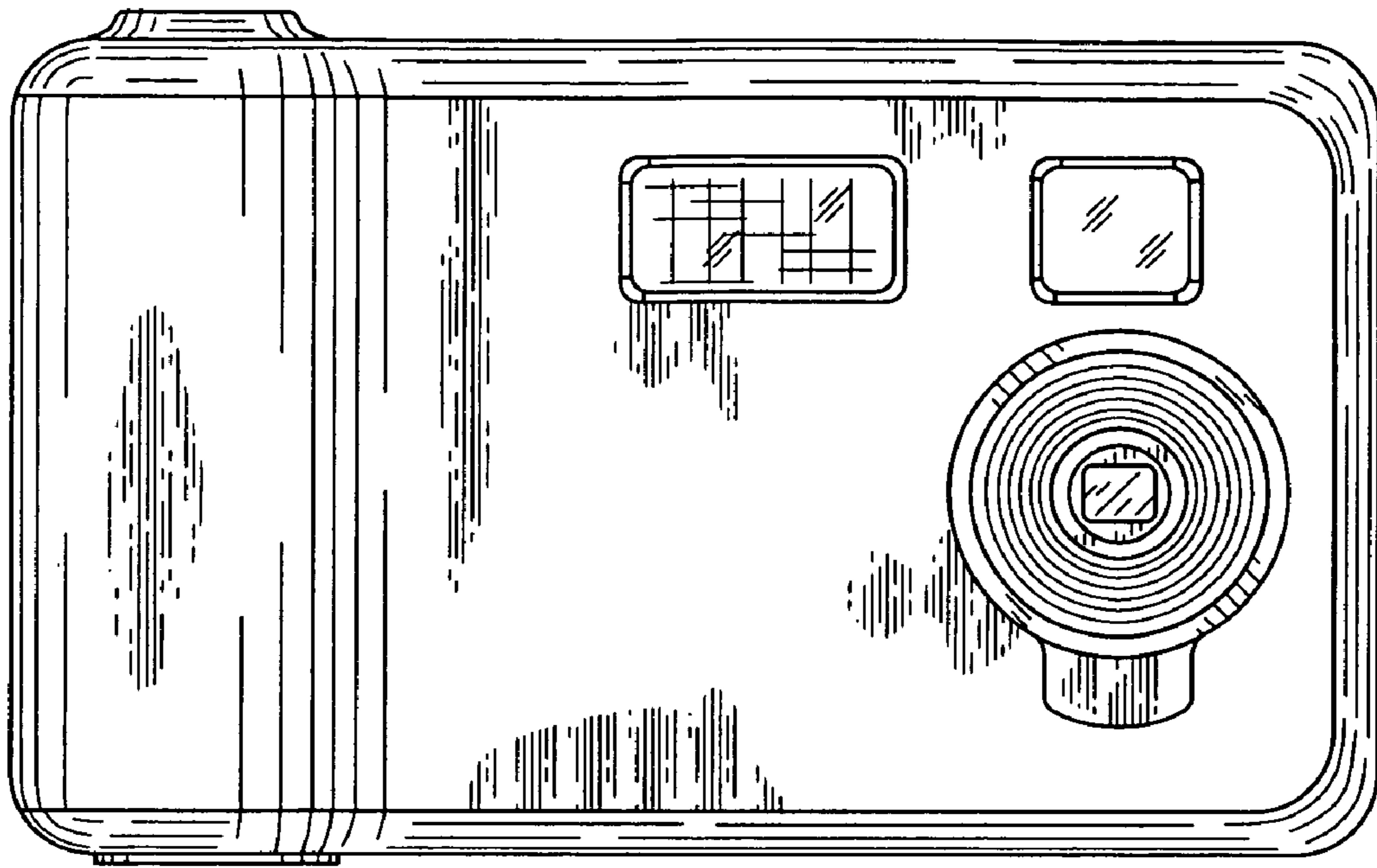


FIG. 3

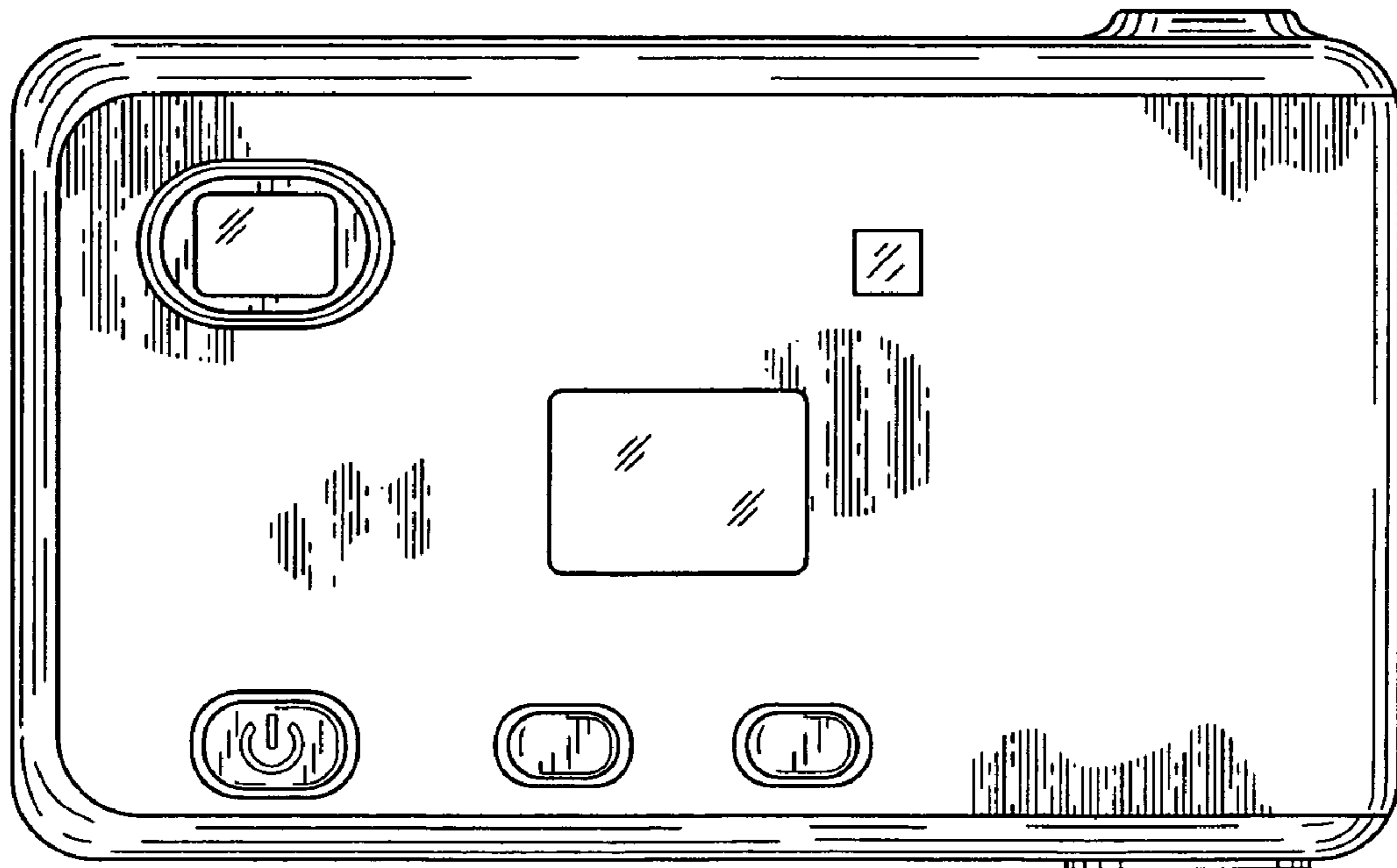


FIG. 4

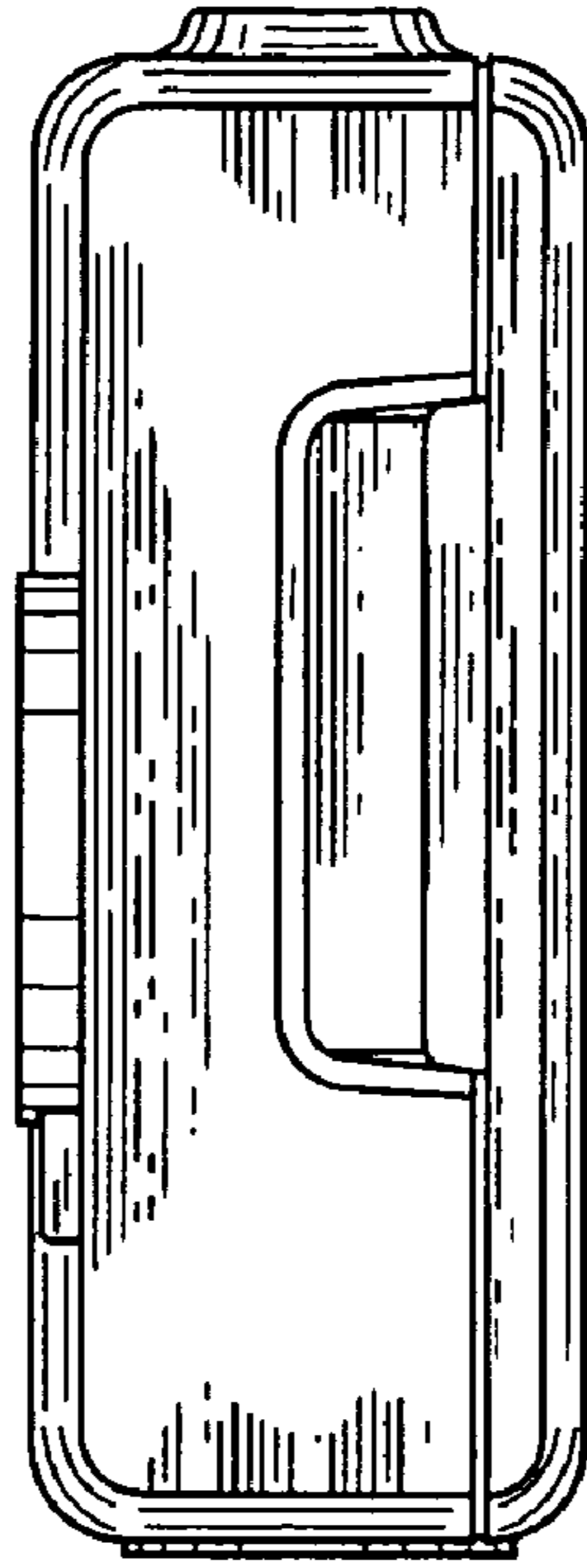


FIG. 5



FIG. 6

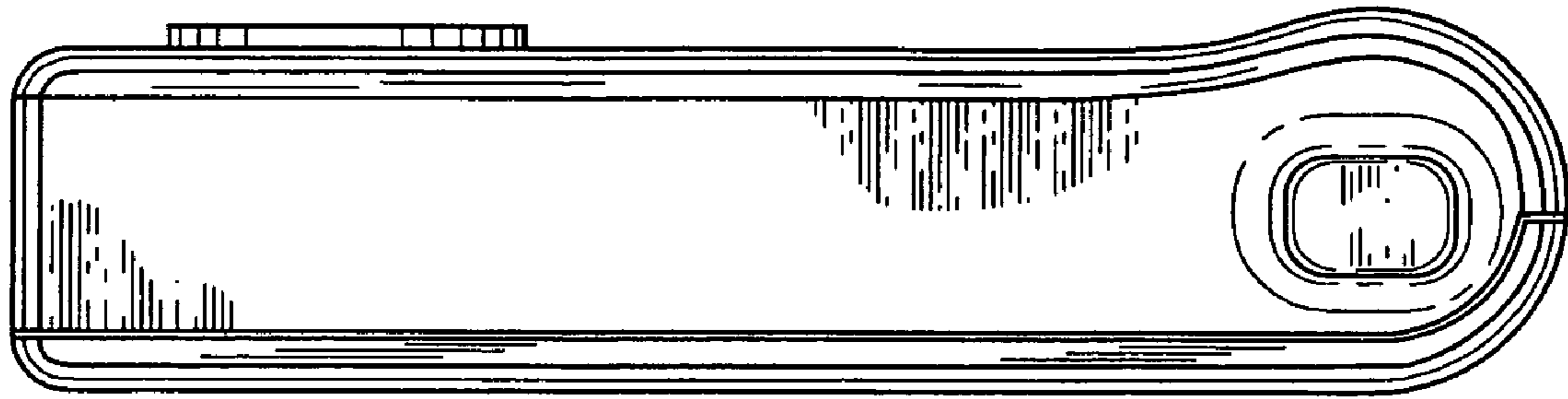


FIG. 7

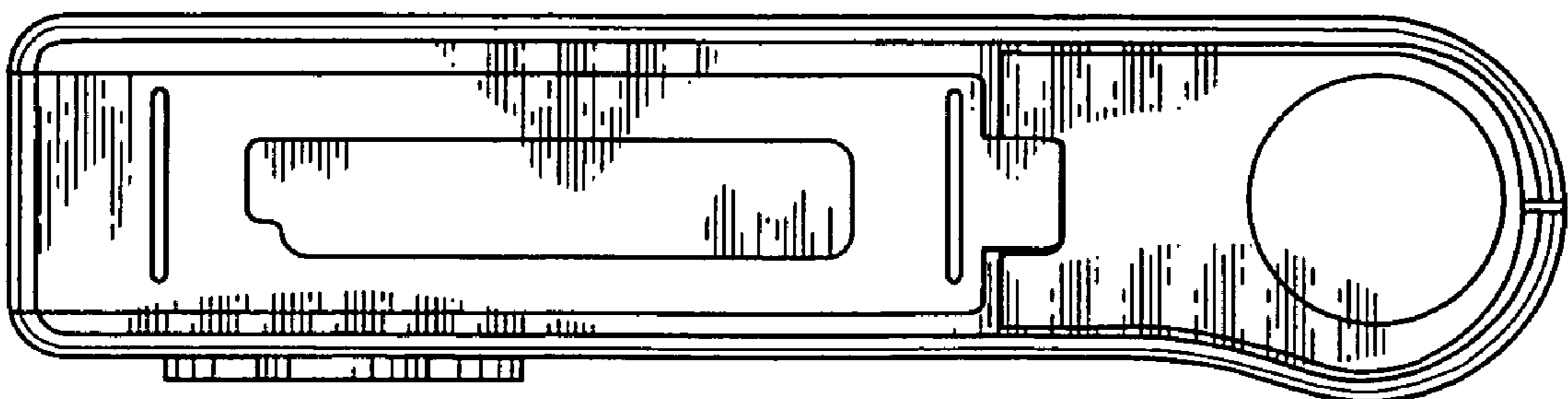


FIG. 8